



US00D678174S

(12) **United States Design Patent**
Wass et al.

(10) **Patent No.:** **US D678,174 S**
(45) **Date of Patent:** **** Mar. 19, 2013**

(54) **TOOL BOX SEAT BASE FOR A VEHICLE SEAT**

(75) Inventors: **Roger Wass**, Sheffield (GB); **Dan Karalash**, Augusta, MI (US); **Wilhelm Sturhan**, Battle Creek, MI (US)

(73) Assignee: **Seating Technologies, Inc.**, Battle Creek, MI (US)

(**) Term: **14 Years**

(21) Appl. No.: **29/413,651**

(22) Filed: **Feb. 17, 2012**

(51) **LOC (9) Cl.** **12-16**

(52) **U.S. Cl.** **D12/418**

(58) **Field of Classification Search** D12/415-419, D12/191, 106, 96, 400, 195, 345, 99; 312/246; 296/37.1-37.8, 70, 24.1, 24.2, 24.3, 137.1, 296/97.1, 97.2, 97.4, 97.5, 97.6, 97.7, 97.8, 296/180, 1; 224/311, 539, 281, 118.1, 275; D8/354; D14/451-452; 248/278.1, 274.1, 248/284.1; D9/423; D3/319; 160/370.21, 160/370.23, 370.22

See application file for complete search history.

(56) **References Cited**

U.S. PATENT DOCUMENTS

3,099,482 A * 7/1963 Woodruff, Sr. 297/188.09
D235,082 S * 5/1975 Weaver D12/421

4,883,317 A * 11/1989 Davenport 297/188.1
6,343,837 B1 * 2/2002 Gage 297/250.1
6,422,440 B1 * 7/2002 Stone 224/275
7,318,616 B1 * 1/2008 Bradley 296/37.15
D589,870 S * 4/2009 Saint-Jalmes et al. D12/345
D634,698 S * 3/2011 Saint-Jalmes et al. D12/423
7,914,074 B2 * 3/2011 Lindsay 297/188.13

* cited by examiner

Primary Examiner — Katrina A Betton

(74) *Attorney, Agent, or Firm* — Salter & Michaelson

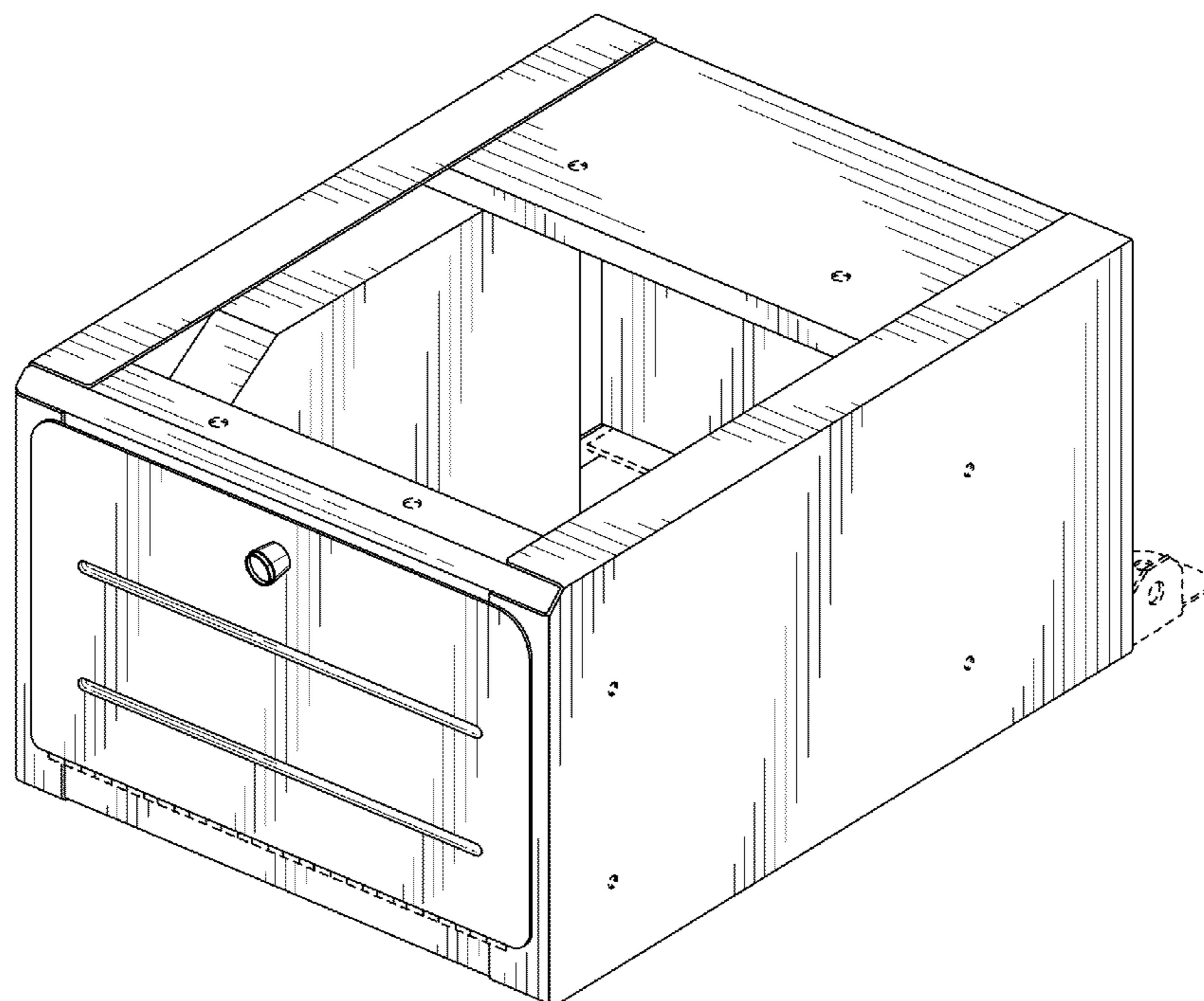
(57) **CLAIM**

The ornamental design for a tool box seat base for a vehicle seat, as shown and described.

DESCRIPTION

FIG. 1 is a perspective view of a tool box seat base for a vehicle seat;
FIG. 2 is a top plan view thereof;
FIG. 3 is a bottom plan view thereof;
FIG. 4 is a right side elevational view thereof;
FIG. 5 is a left side elevational view thereof;
FIG. 6 is a front elevational view thereof;
FIG. 7 is a rear elevational view thereof; and,
FIG. 8 is a perspective view thereof showing the tool box seat base for a vehicle seat with the door in an open position.
The portions shown in broken lines are included for illustrative purposes only and form no part of the claimed design.

1 Claim, 8 Drawing Sheets



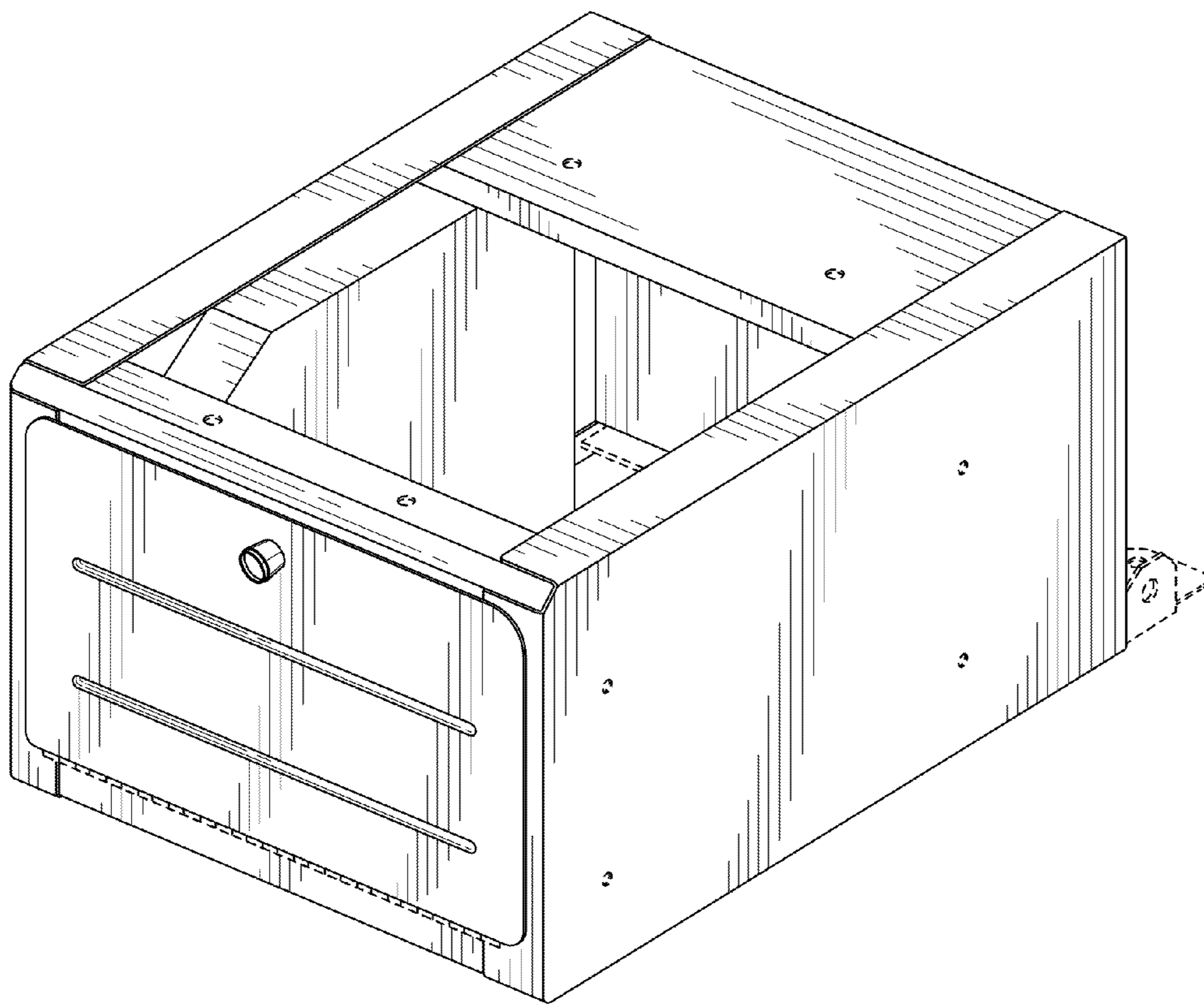


FIG. 1

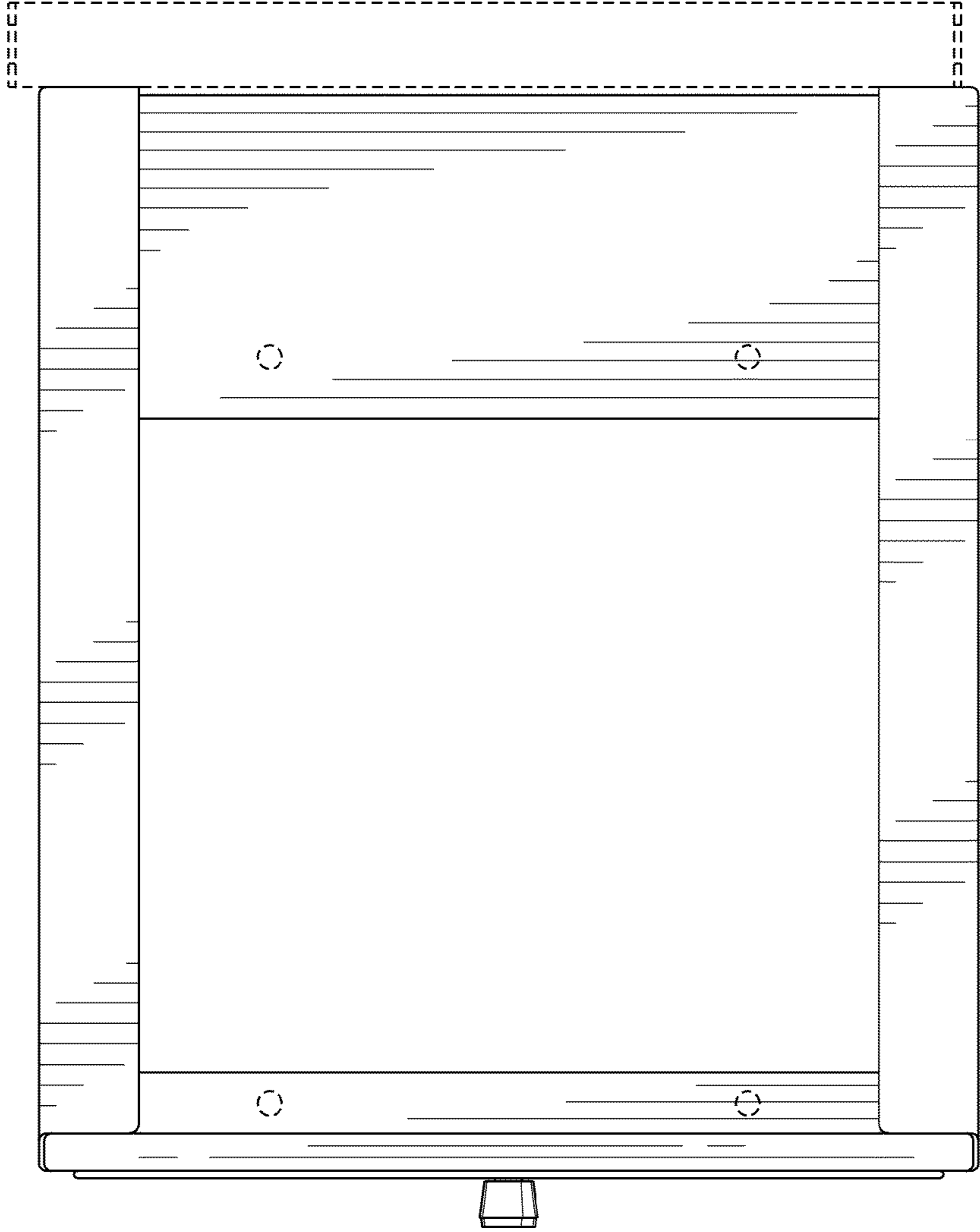


FIG. 2

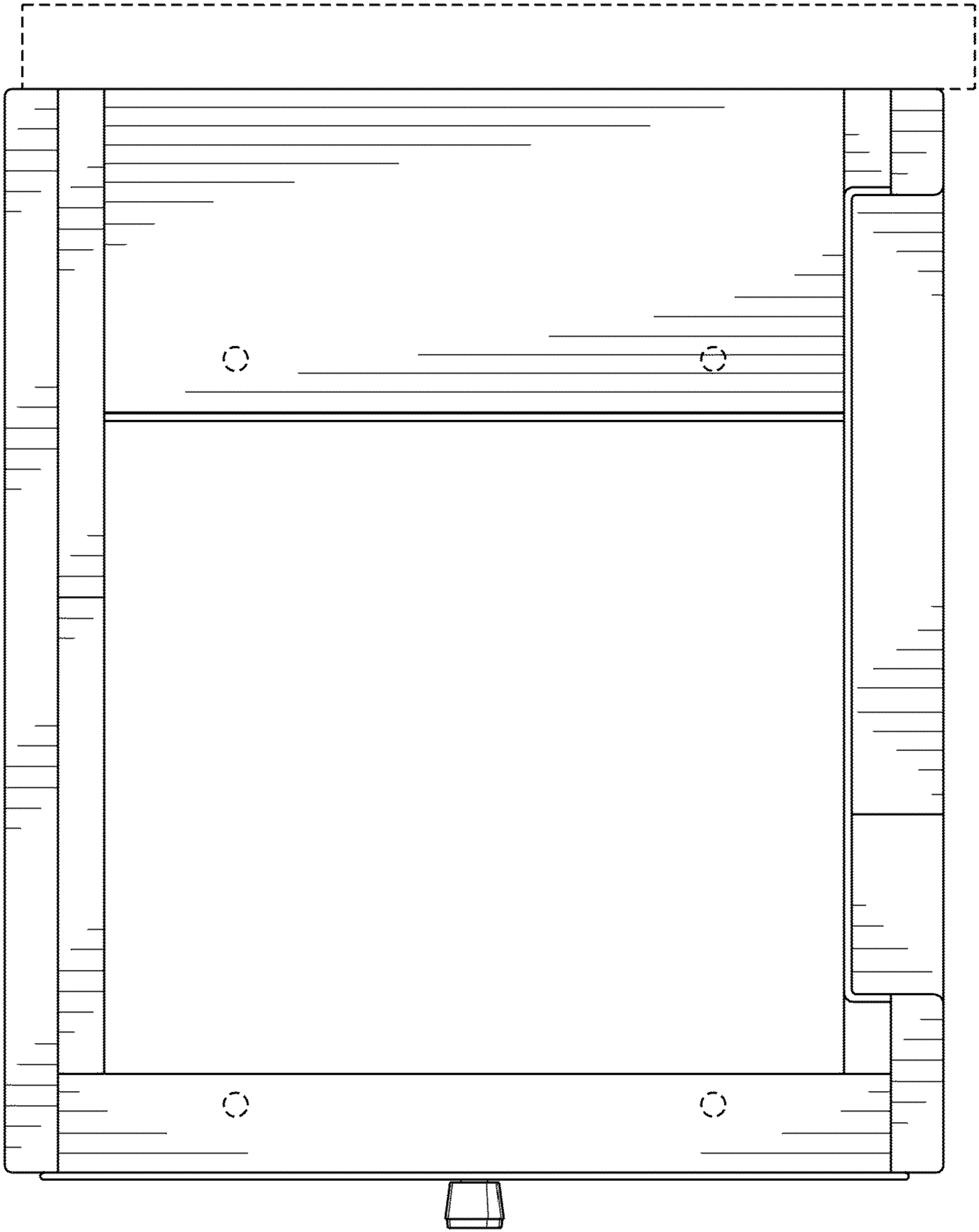


FIG. 3

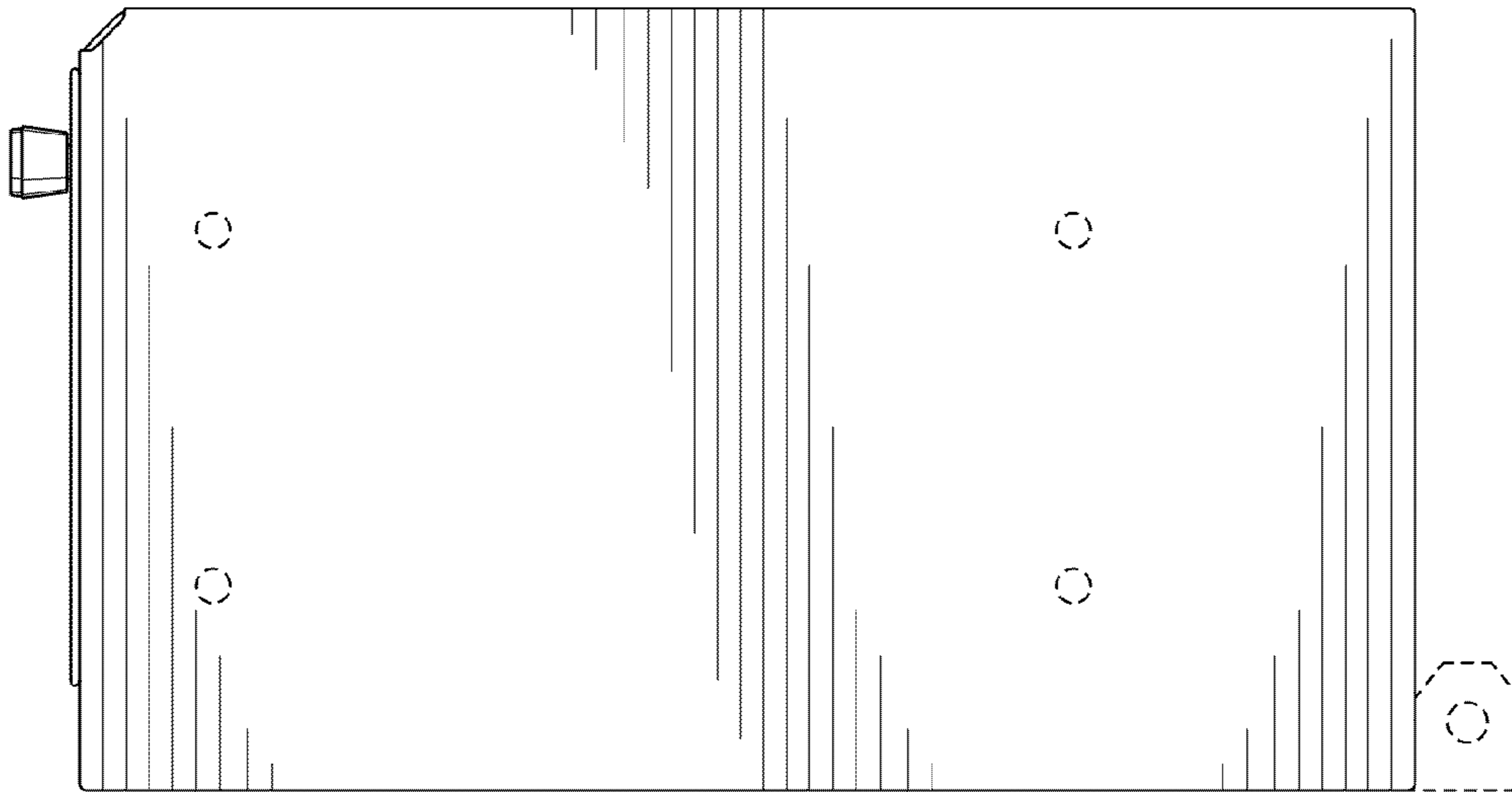


FIG. 4

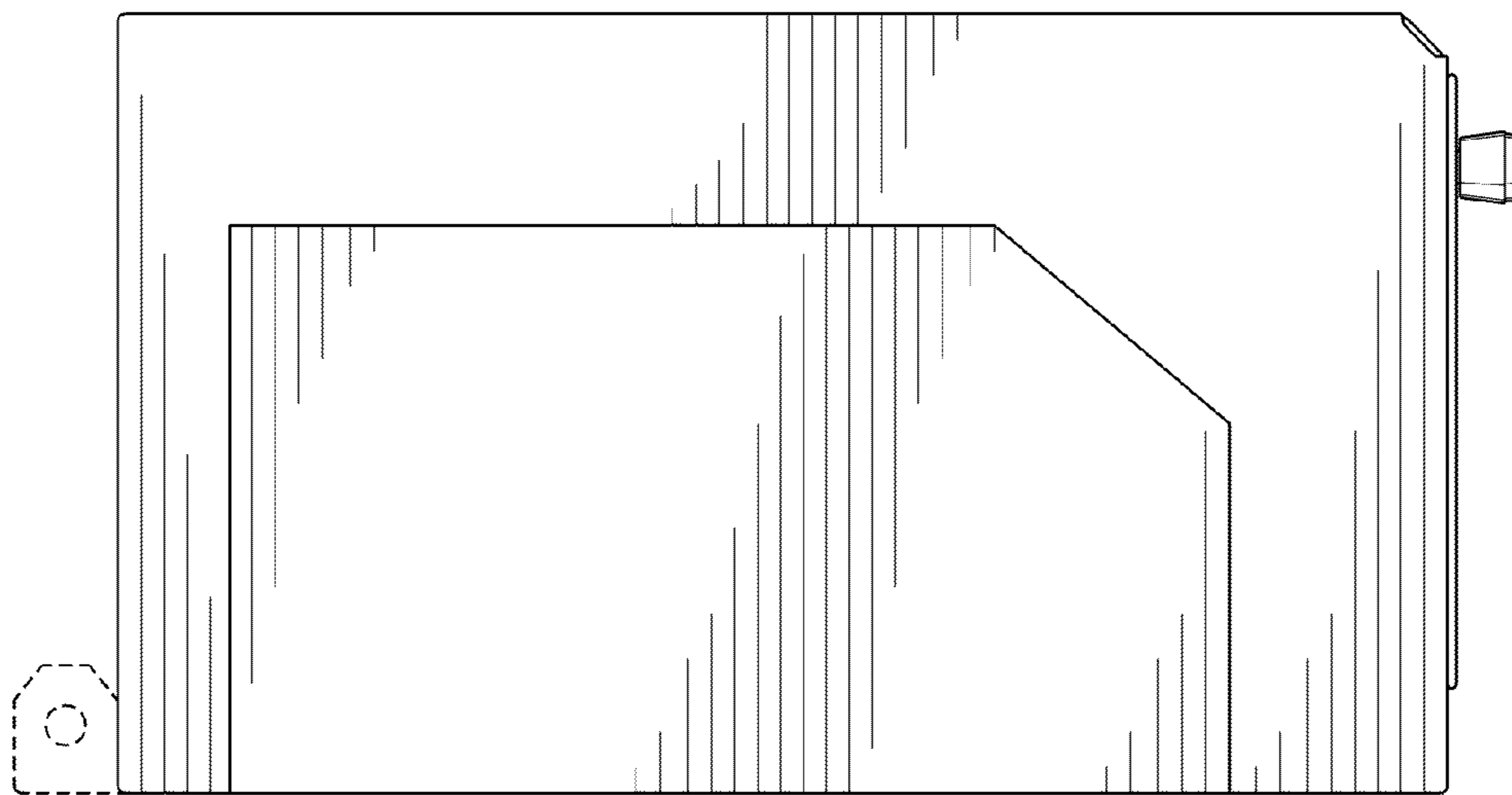


FIG. 5

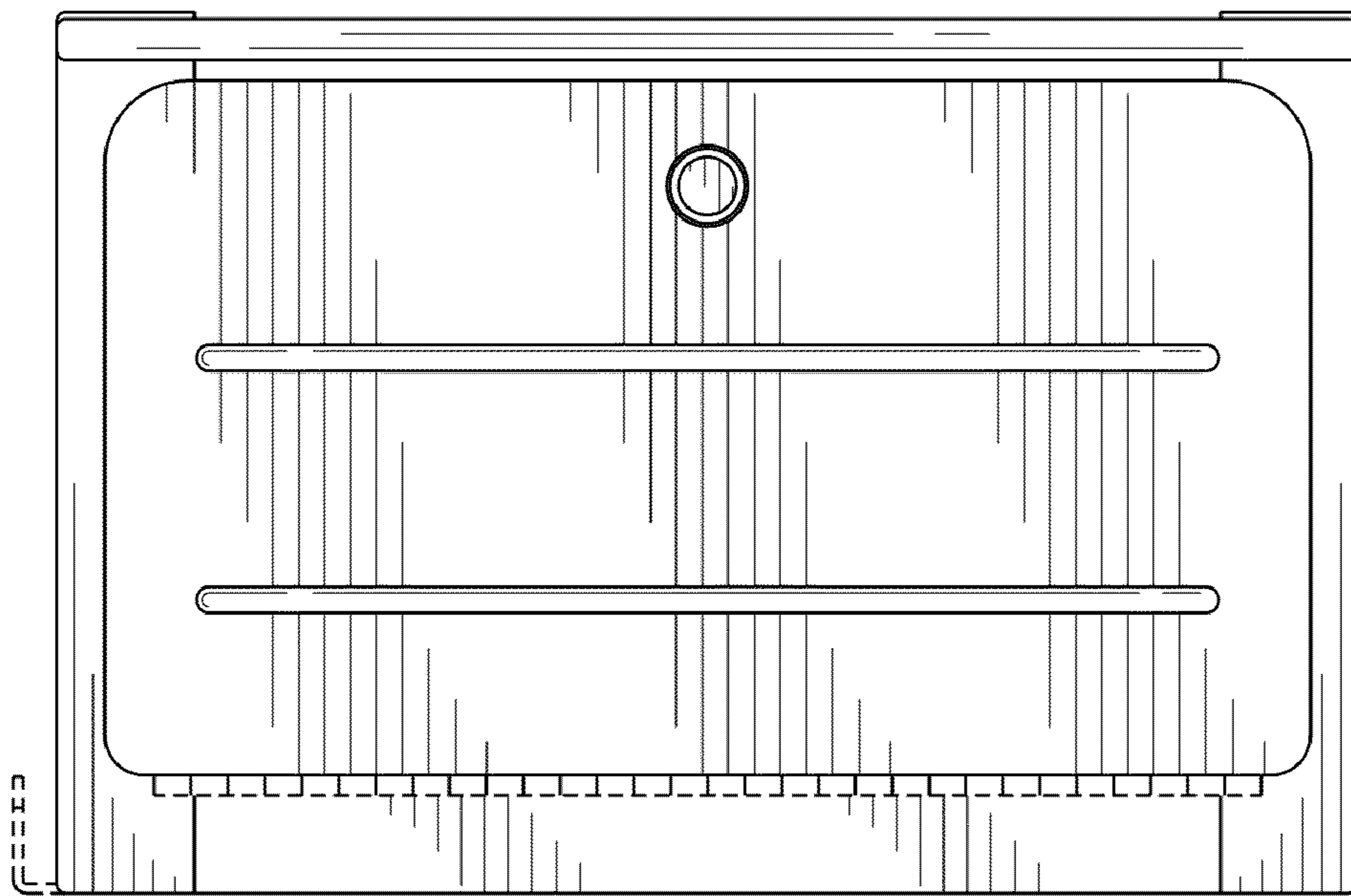


FIG. 6

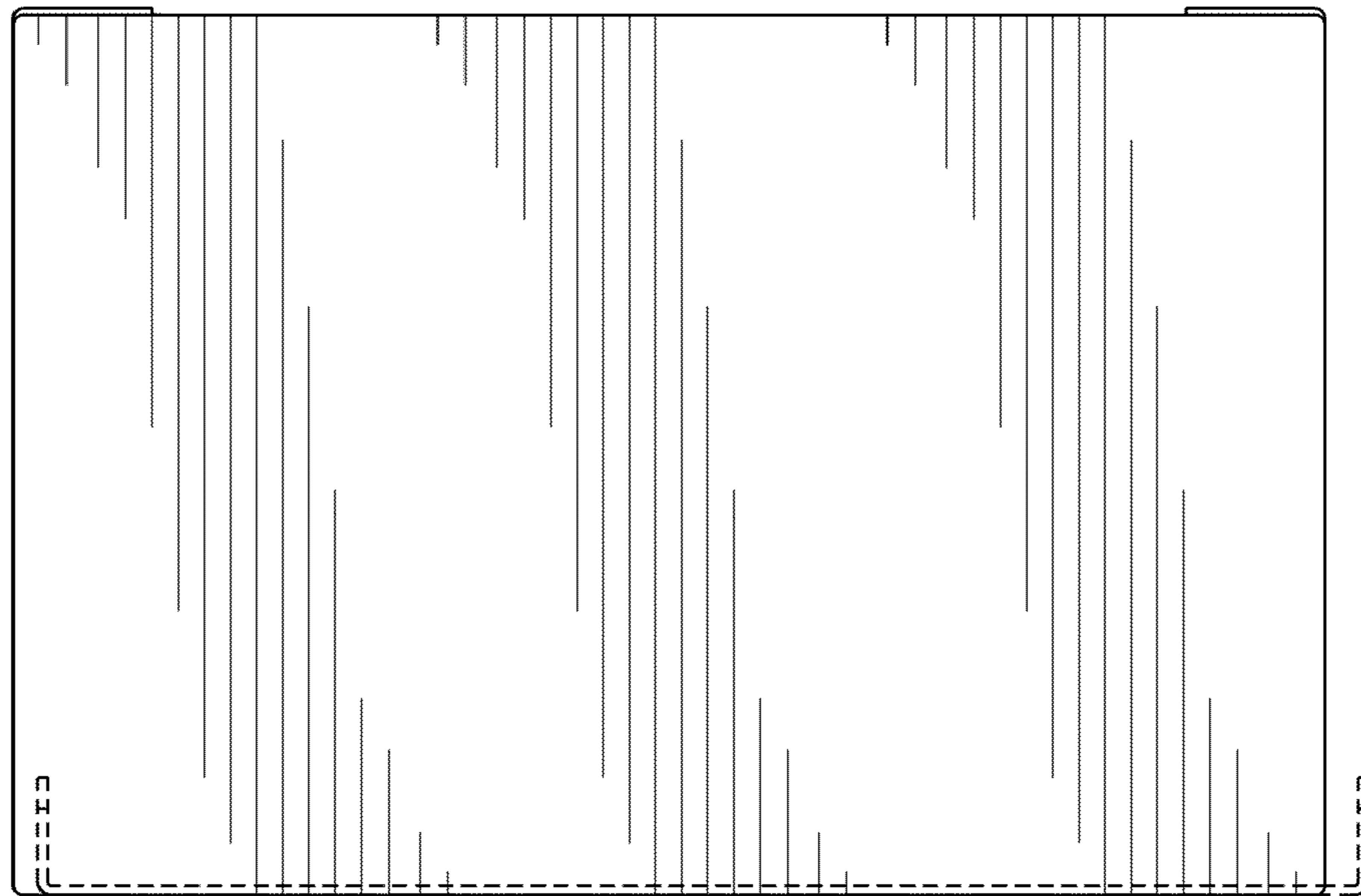


FIG. 7

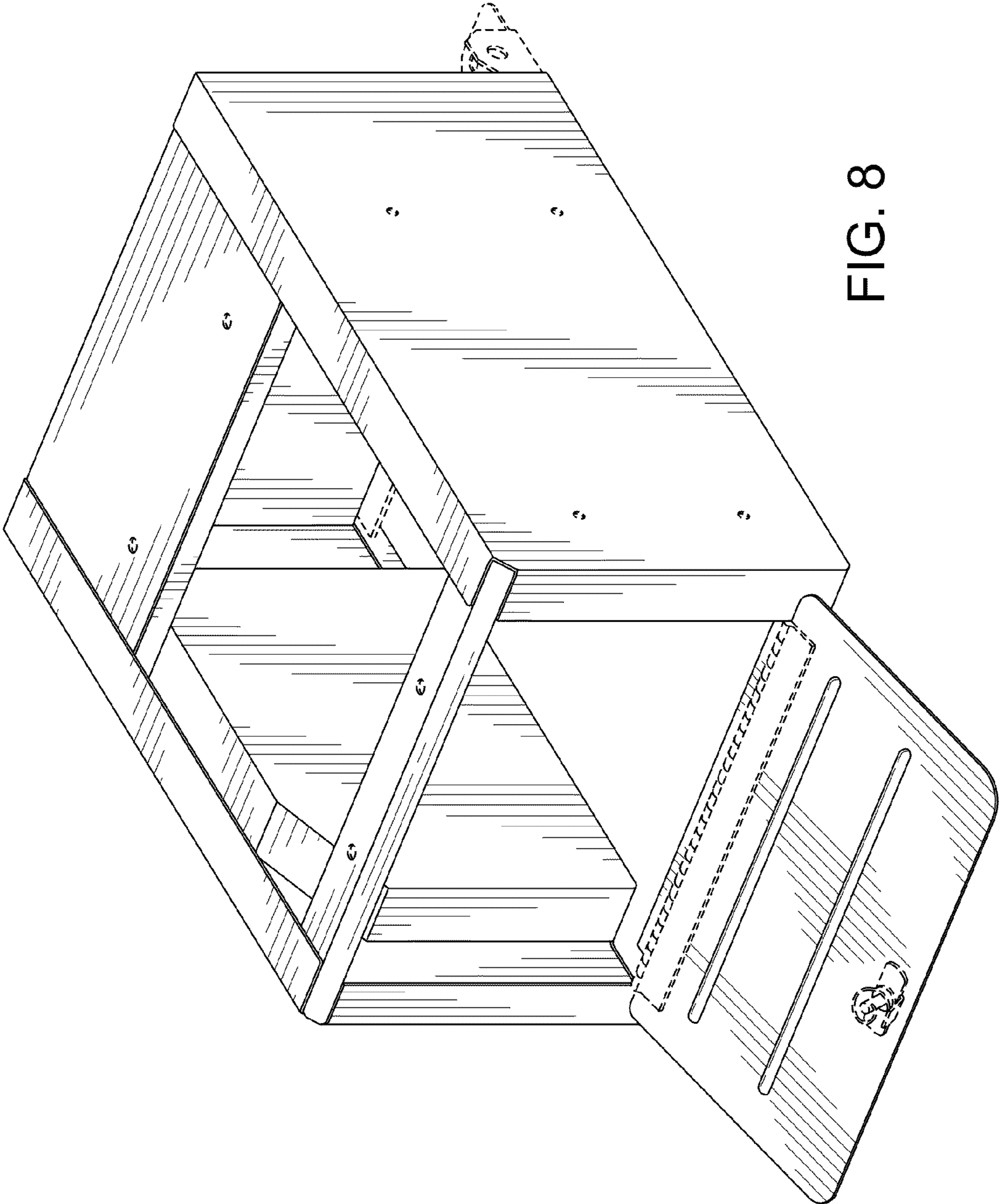


FIG. 8