



US00D678172S

(12) **United States Design Patent**
Amante et al.

(10) **Patent No.:** **US D678,172 S**
(45) **Date of Patent:** **** Mar. 19, 2013**

(54) **HELICOPTER FRONT WINDSHIELDS**

(75) Inventors: **William A. Amante**, Grapevine, TX
(US); **James M. McCollough**,
Arlington, TX (US)

(73) Assignee: **Bell Helicopter Textron Inc.**, Fort
Worth, TX (US)

(**) Term: **14 Years**

(21) Appl. No.: **29/413,146**

(22) Filed: **Feb. 10, 2012**

(51) **LOC (9) Cl.** **12-07**

(52) **U.S. Cl.** **D12/345; D12/326**

(58) **Field of Classification Search** D12/319,
D12/326, 327, 328, 329, 331-334, 337, 338,
D12/339, 344, 345, 182; 244/2, 5, 6, 17.11,
244/17.19, 17.23, 17.25, 17.27, 7 A, 8, 99.1,
244/99.11, 119, 117 R, 118.5, 60, 129.3;
D21/430, 442, 447, 449, 450, 451; 446/230,
446/231, 232; 52/208

See application file for complete search history.

(56) **References Cited**

U.S. PATENT DOCUMENTS

2,808,355 A * 10/1957 Christie et al. 52/208
D206,734 S * 1/1967 Kesling D12/327

D239,710 S * 4/1976 Garrison D12/327
4,702,437 A * 10/1987 Stearns, Jr. 244/17.11
5,037,041 A * 8/1991 Unterhitzberger 244/120
5,562,264 A * 10/1996 Bietenhader 244/120
D388,048 S * 12/1997 Taylor et al. D12/328
D401,898 S * 12/1998 Lauder et al. D12/326
D425,853 S * 5/2000 Caporaletti D12/327

* cited by examiner

Primary Examiner — Caron D Veynar

Assistant Examiner — Martie K Holtje

(74) *Attorney, Agent, or Firm* — Baker Botts L.L.P.

(57) **CLAIM**

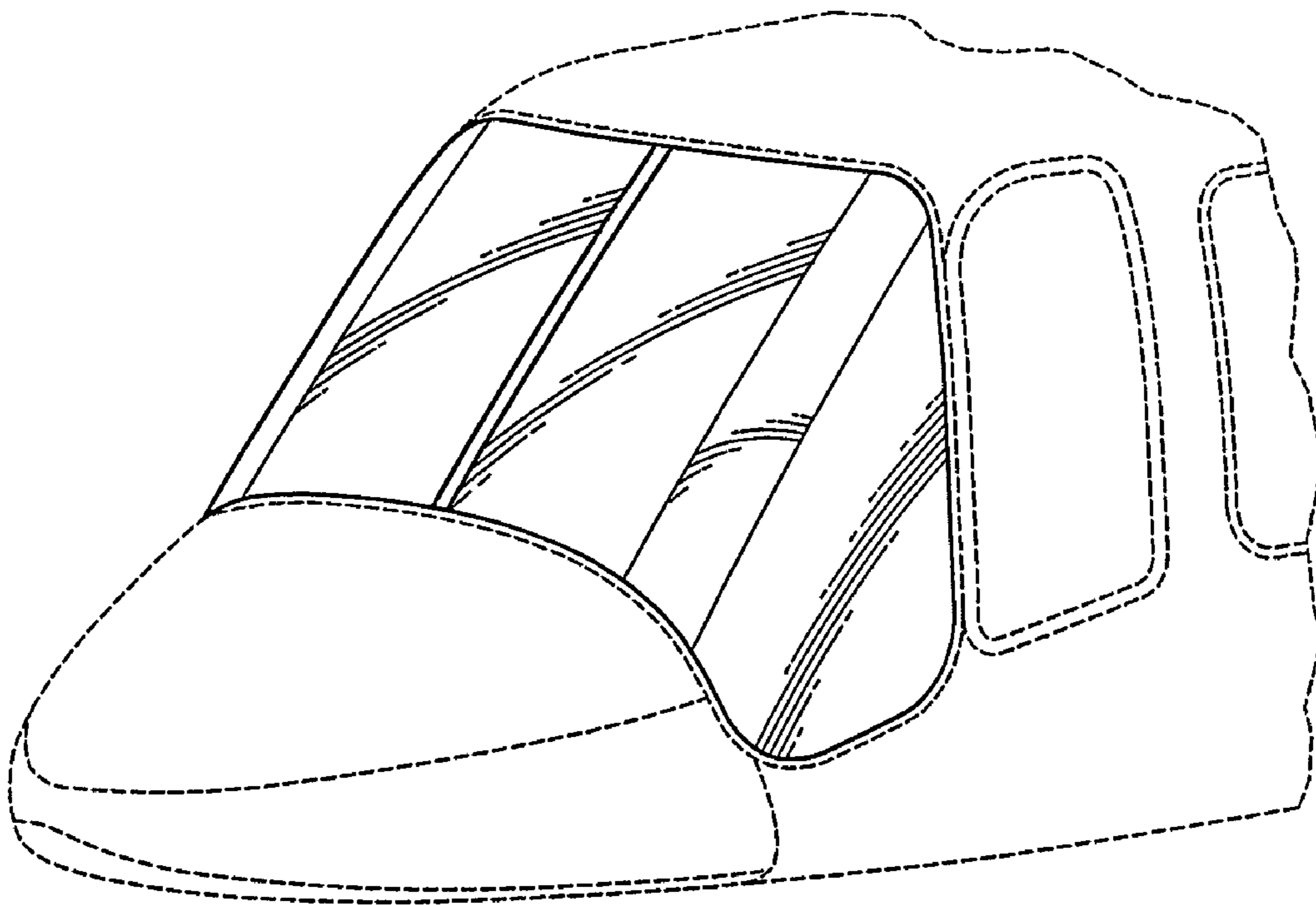
The ornamental design for helicopter front windshields, as shown and described.

DESCRIPTION

FIG. 1 is a right front perspective view of the helicopter front windshields showing our new design; FIG. 2 is a right side elevational view thereof; FIG. 3 is a left side elevational view thereof; FIG. 4 is a front elevational view thereof; and, FIG. 5 is a top plan view thereof.

The broken line depictions of structural elements have been shown for the purpose of illustrating environment and form no part of the claimed design.

1 Claim, 3 Drawing Sheets



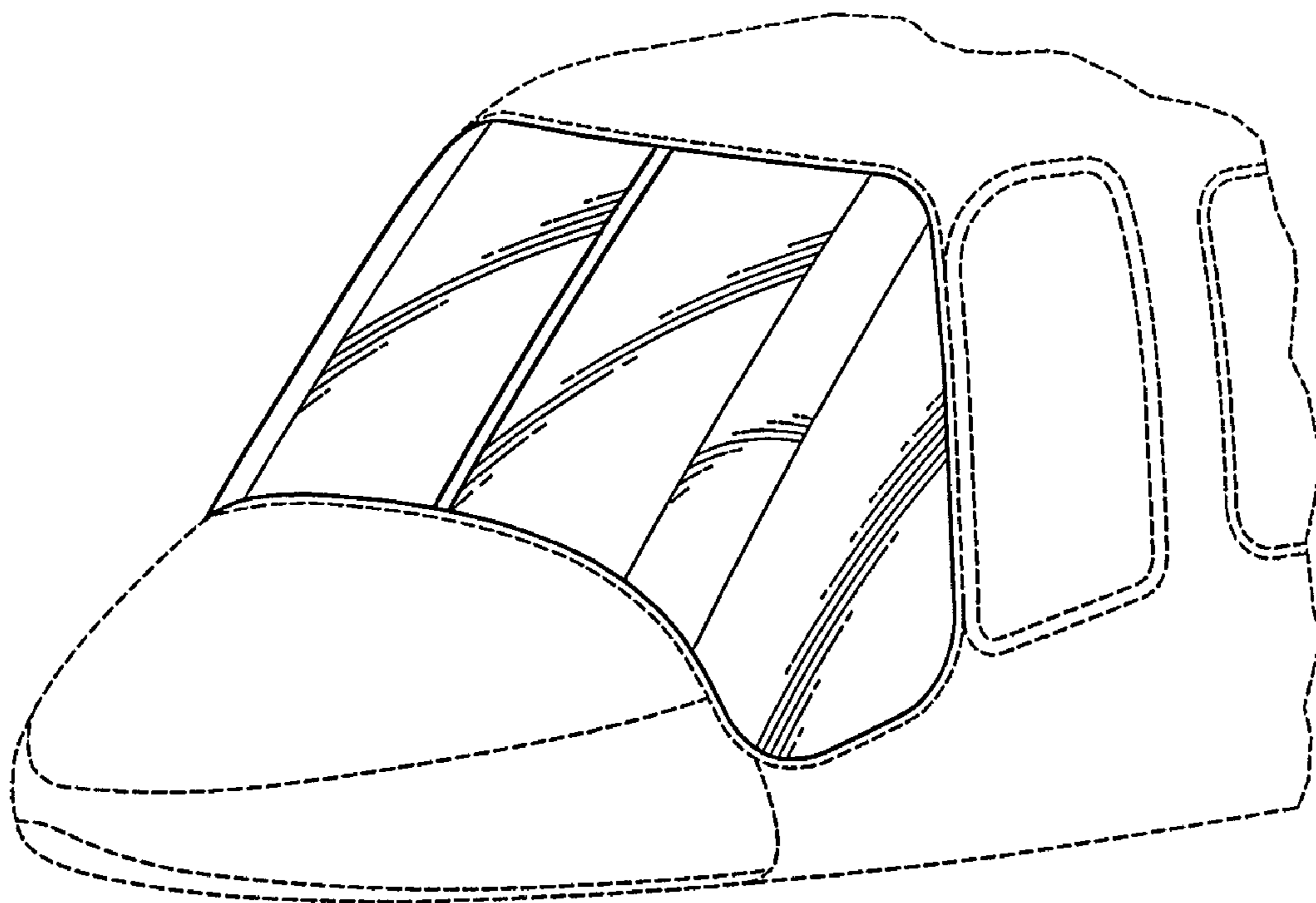


FIG. 1

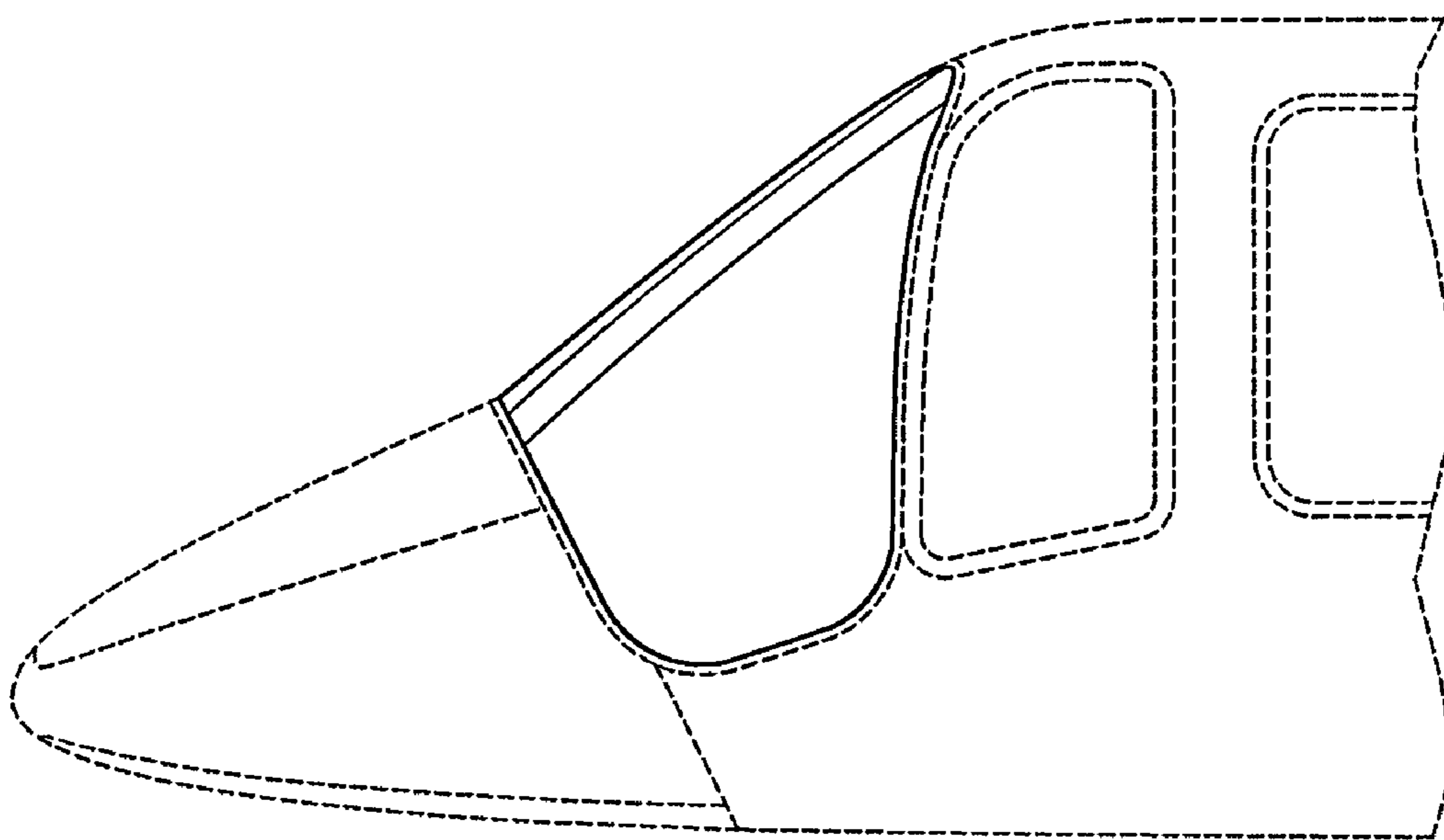


FIG. 2

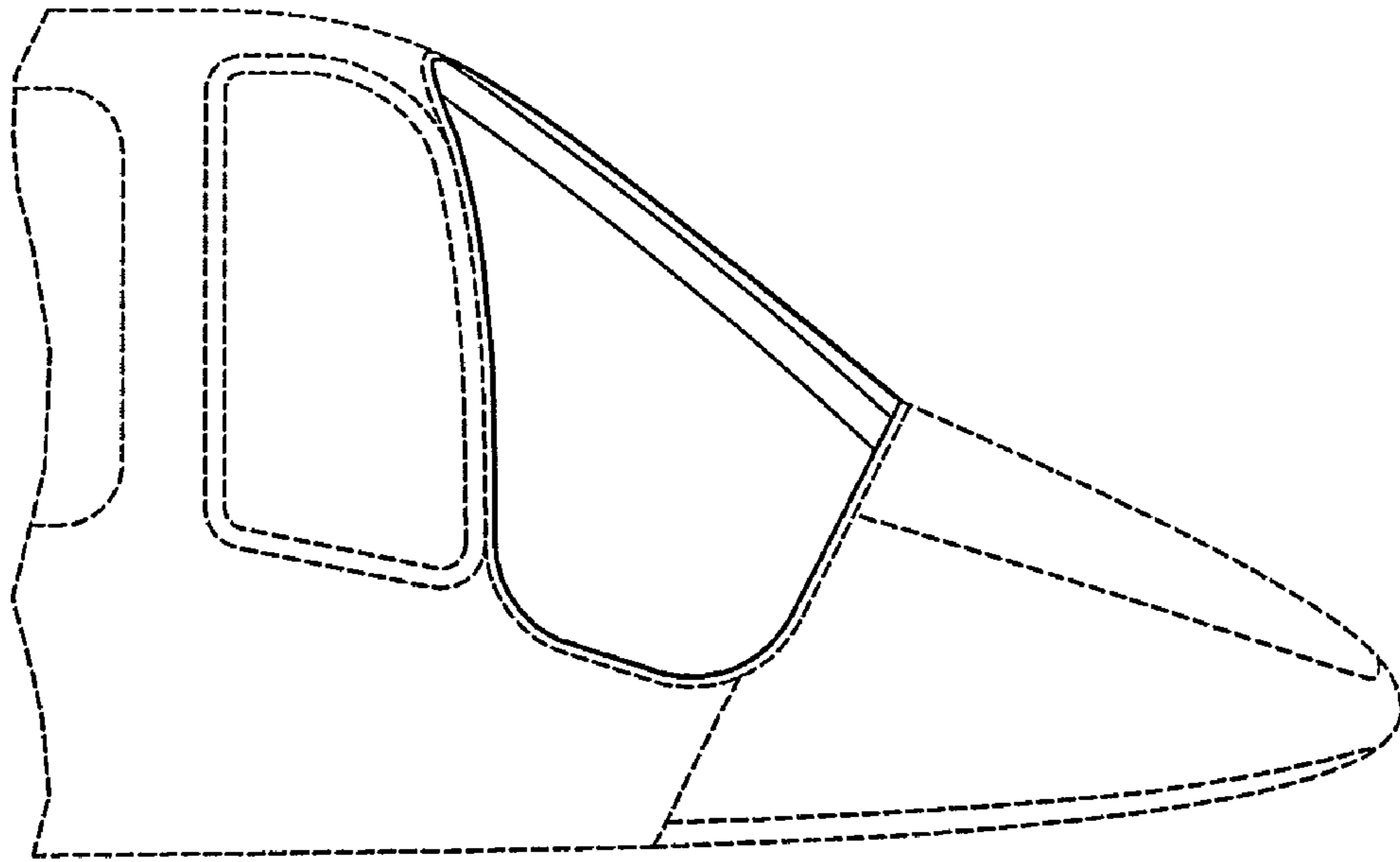


FIG. 3

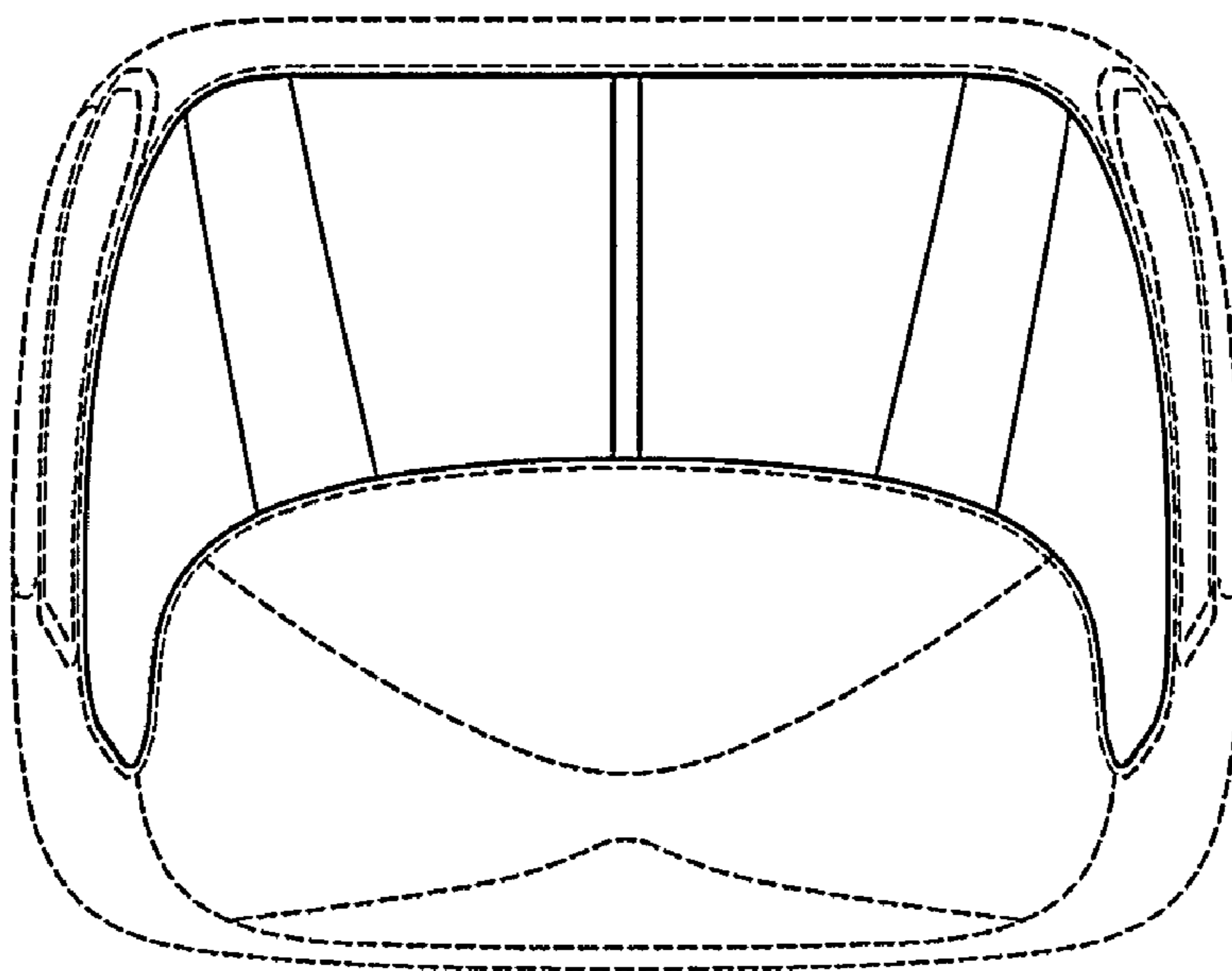


FIG. 4

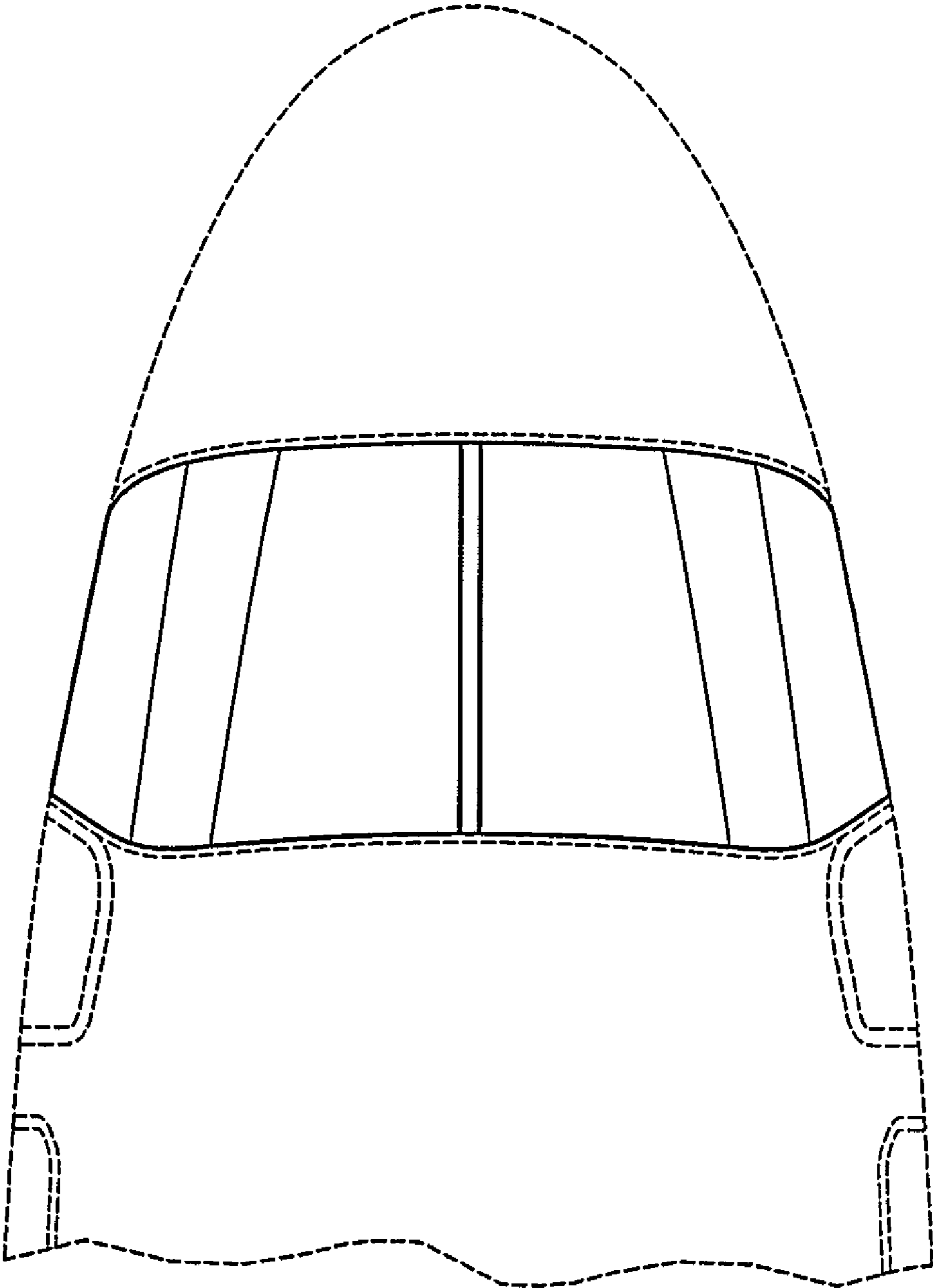


FIG. 5