



US00D678171S

(12) **United States Design Patent**
Amante et al.

(10) **Patent No.:** **US D678,171 S**
(45) **Date of Patent:** **** Mar. 19, 2013**

- (54) **HELICOPTER NOSE DESIGN**
 - (75) Inventors: **William A. Amante**, Grapevine, TX (US); **James M. McCollough**, Arlington, TX (US)
 - (73) Assignee: **Bell Helicopter Textron Inc.**, Fort Worth, TX (US)
 - (**) Term: **14 Years**
 - (21) Appl. No.: **29/413,120**
 - (22) Filed: **Feb. 10, 2012**
 - (51) **LOC (9) Cl.** **12-07**
 - (52) **U.S. Cl.** **D12/345; D12/326**
 - (58) **Field of Classification Search** D12/319, D12/326, 327, 328, 329, 331-334, 337, 338, D12/339, 344, 345; 244/2, 5, 6, 17.11, 17.19, 244/17.23, 17.25, 17.27, 7 A, 8, 99.1, 99.11, 244/119, 117 R, 118.5, 60, 129.3; D21/430, D21/442, 447, 449, 450, 451; 446/230, 231, 446/232
- See application file for complete search history.

D265,669 S *	8/1982	Fehric	D21/451
4,702,437 A *	10/1987	Stearns, Jr.	244/17.11
4,792,108 A *	12/1988	Bull	244/159.4
D425,853 S *	5/2000	Caporaletti	D12/327
D500,282 S *	12/2004	Aruga et al.	D12/319
D515,012 S *	2/2006	Eatkins et al.	D12/319
D617,724 S *	6/2010	Saint-Jalmes et al.	D12/343
D642,111 S *	7/2011	Saint-Jalmes et al.	D12/345
D644,165 S *	8/2011	Fujino et al.	D12/345

* cited by examiner

Primary Examiner — Caron D Veynar
Assistant Examiner — Martie K Holtje
(74) *Attorney, Agent, or Firm* — Baker Botts L.L.P.

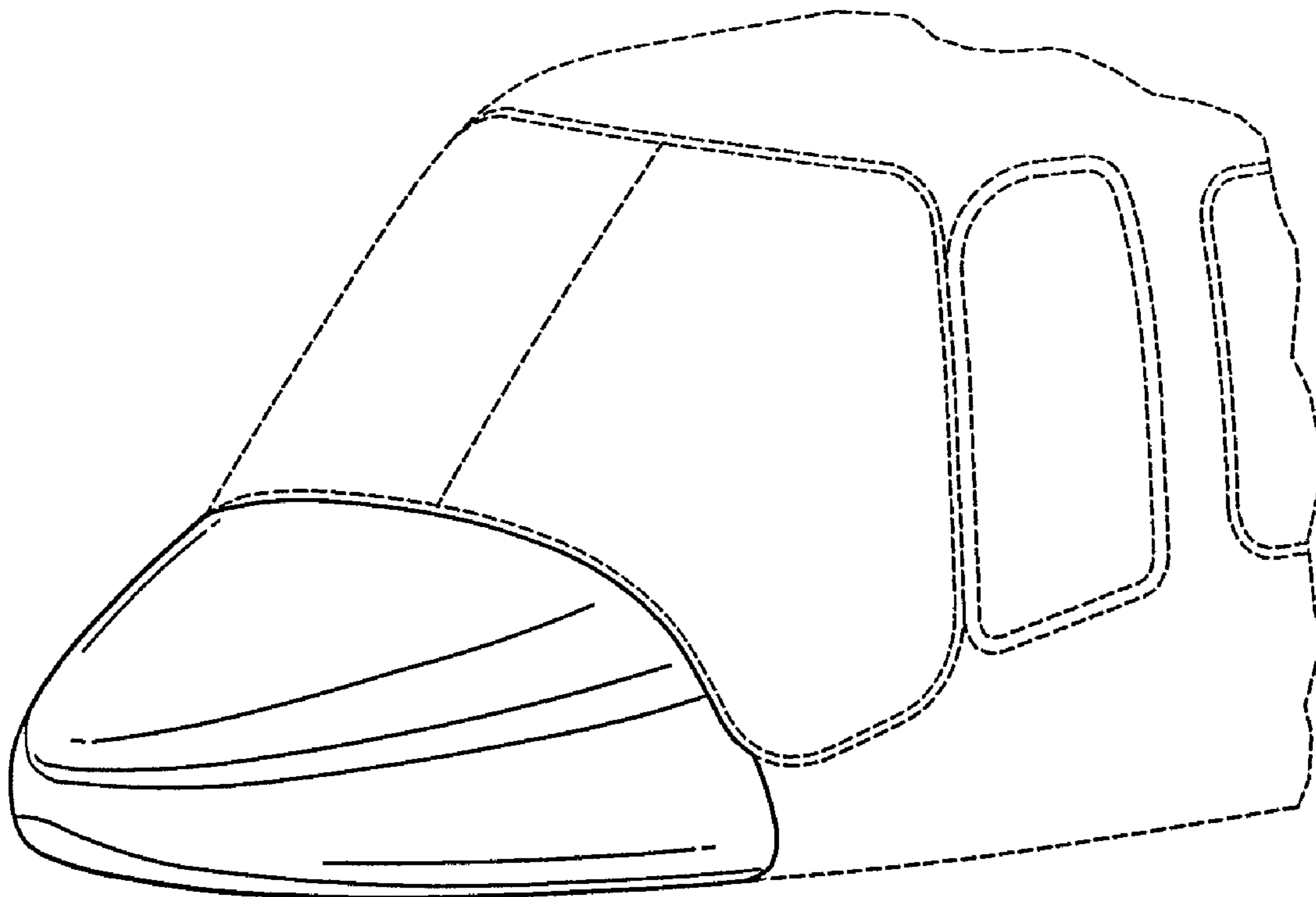
(57) **CLAIM**
The ornamental design for a helicopter nose design, as shown and described.

DESCRIPTION

FIG. 1 is a right front perspective view of our new helicopter nose design;
FIG. 2 is a right side elevational view thereof;
FIG. 3 is a left side elevational view thereof;
FIG. 4 is a front elevational view thereof;
FIG. 5 is a top plan view thereof; and,
FIG. 6 is a bottom plan view thereof.
The broken line depictions of structural elements have been shown for the purpose of illustrating environment and form no part of the claimed design.

1 Claim, 3 Drawing Sheets

- (56) **References Cited**
- U.S. PATENT DOCUMENTS
- D183,657 S * 10/1958 Johnson et al. D12/340
- D191,149 S * 8/1961 Eaton et al. D12/337
- D233,621 S * 11/1974 Campbell et al. D21/430



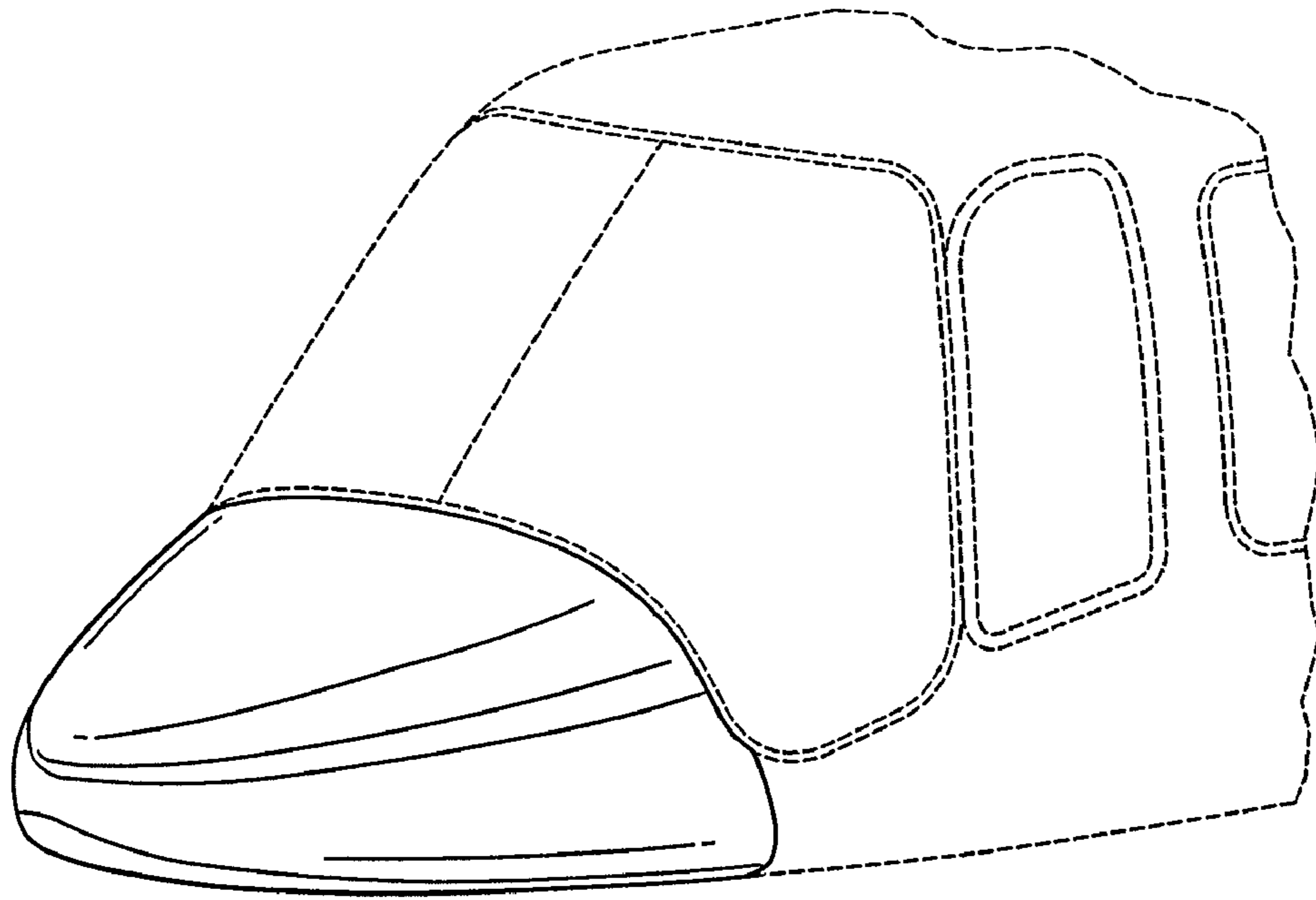


FIG. 1

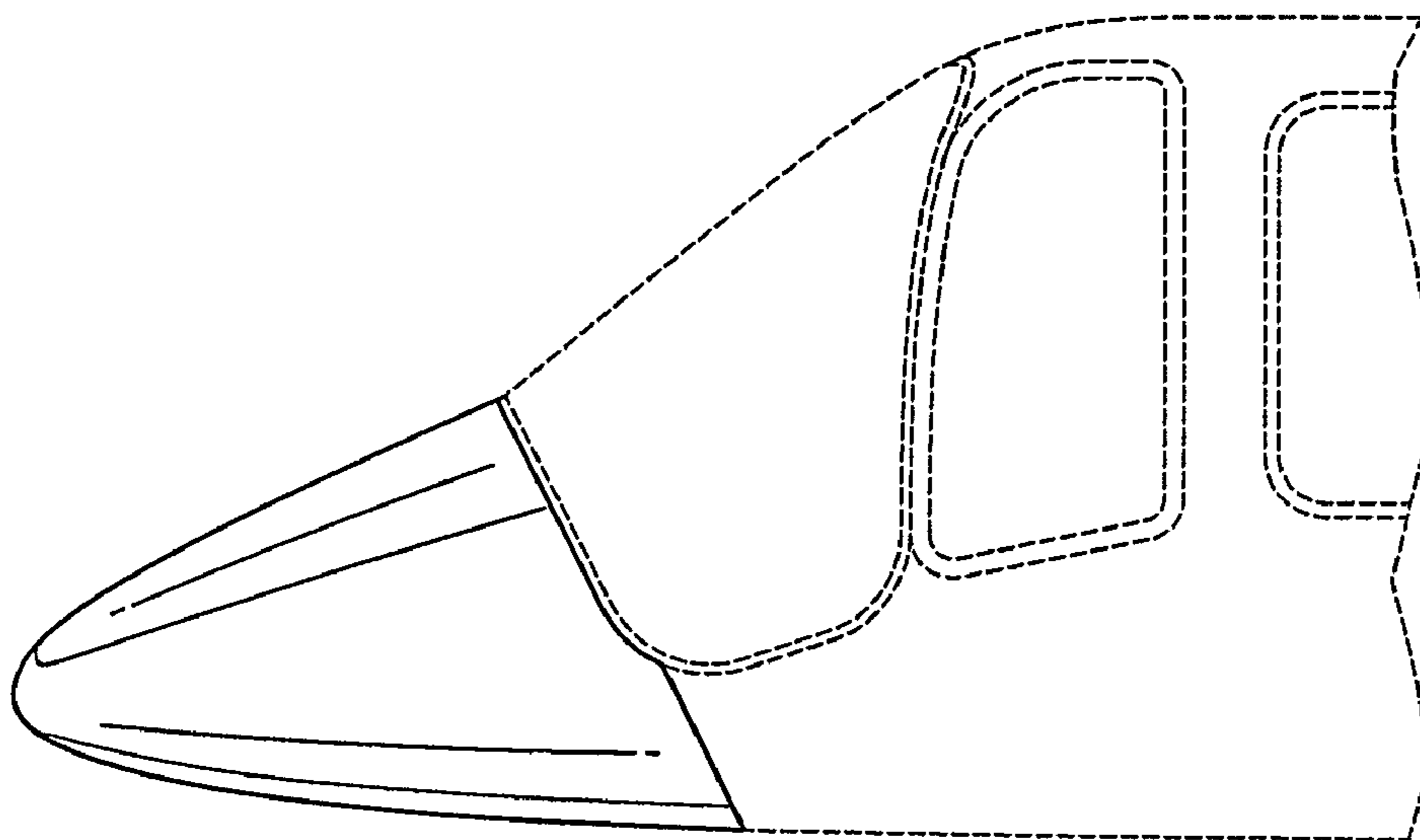


FIG. 2

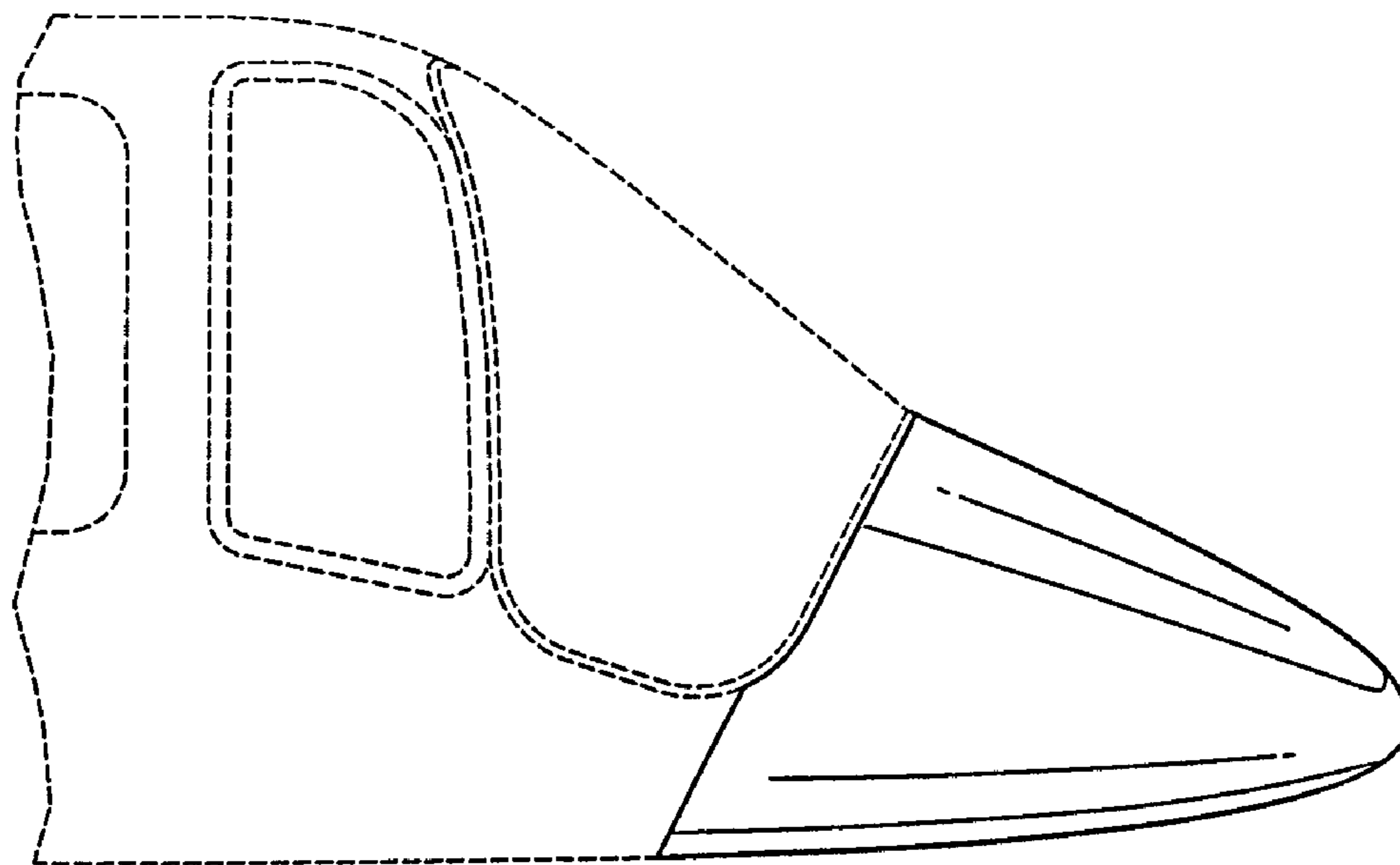


FIG. 3

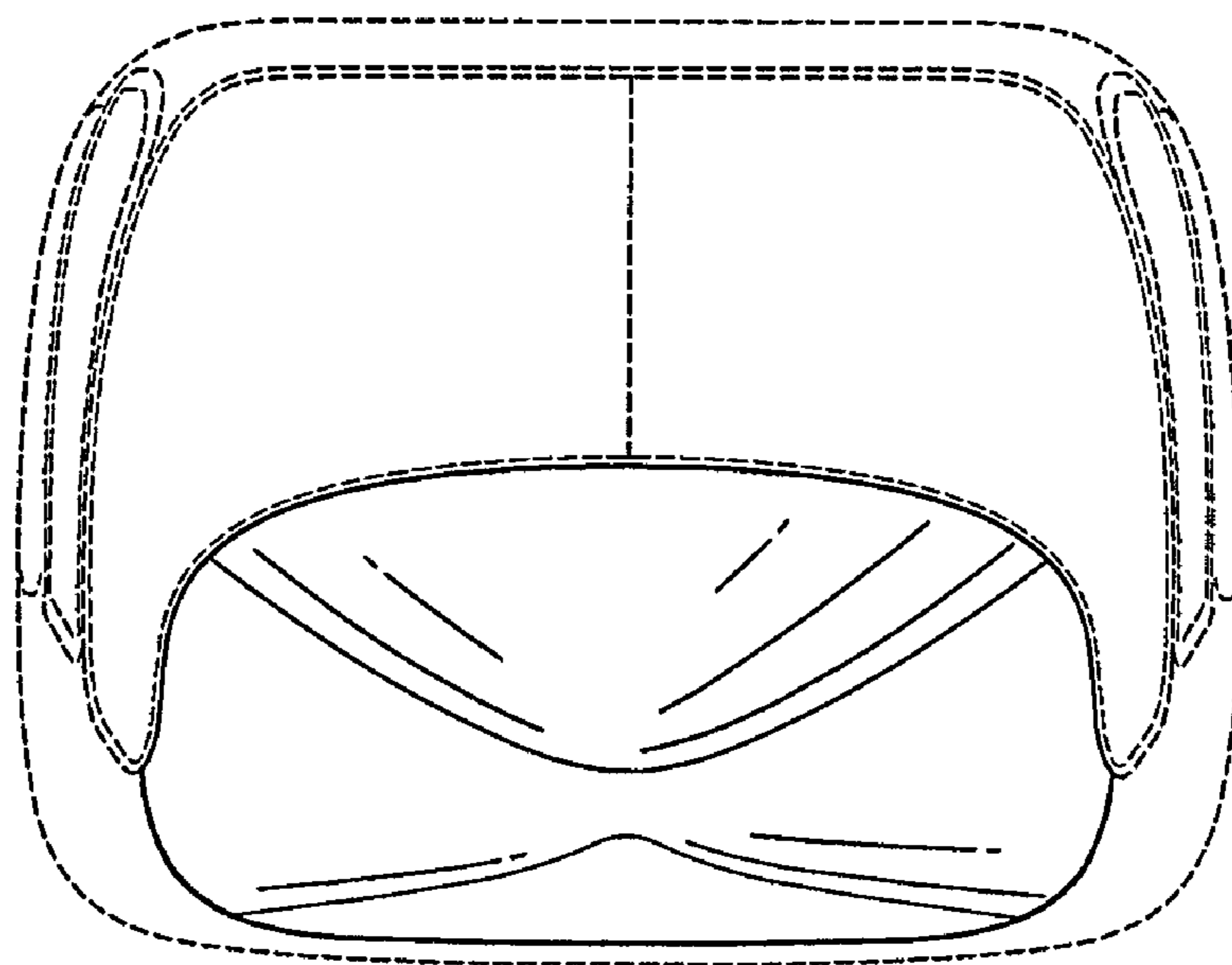


FIG. 4

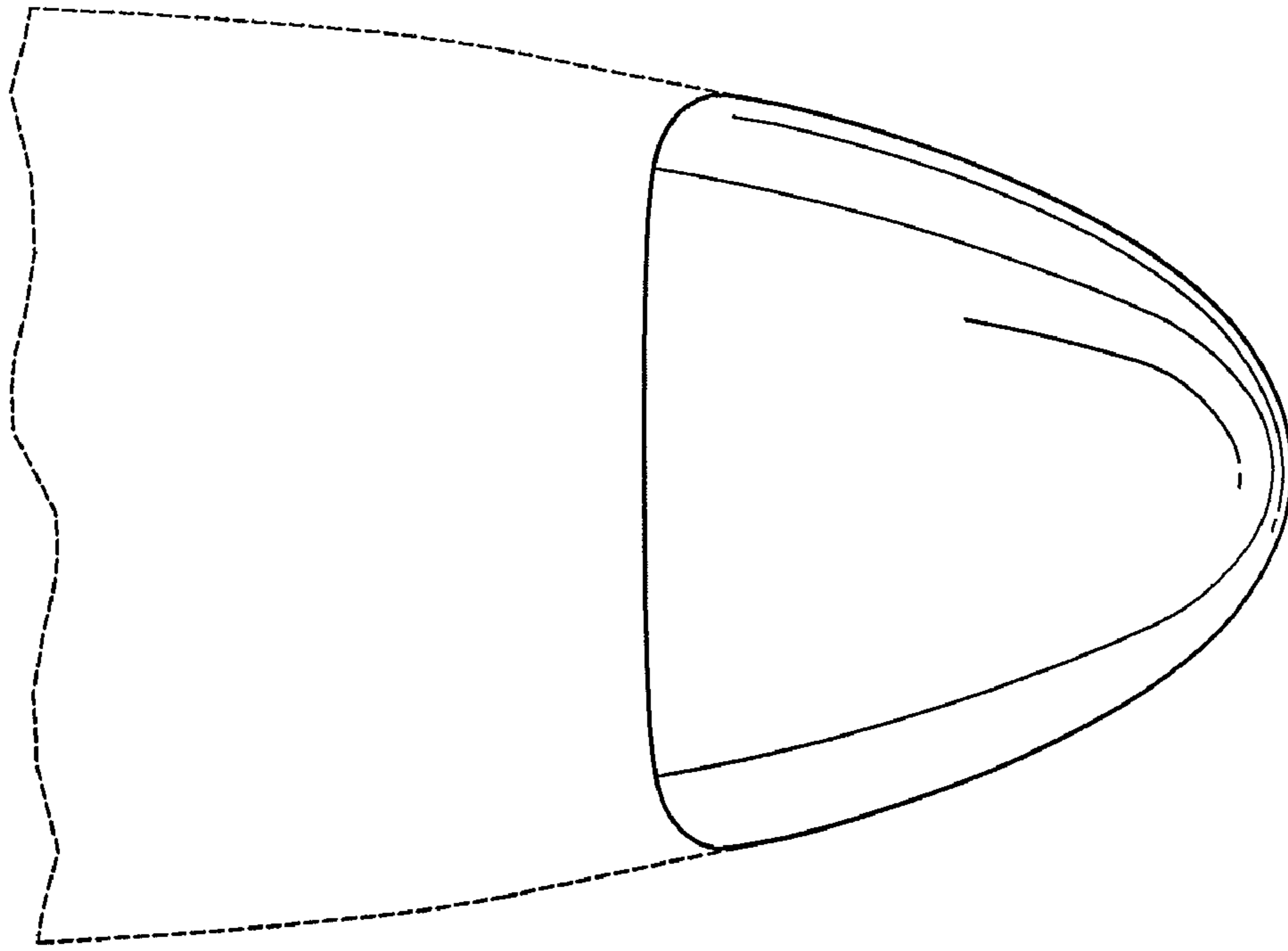


FIG. 6

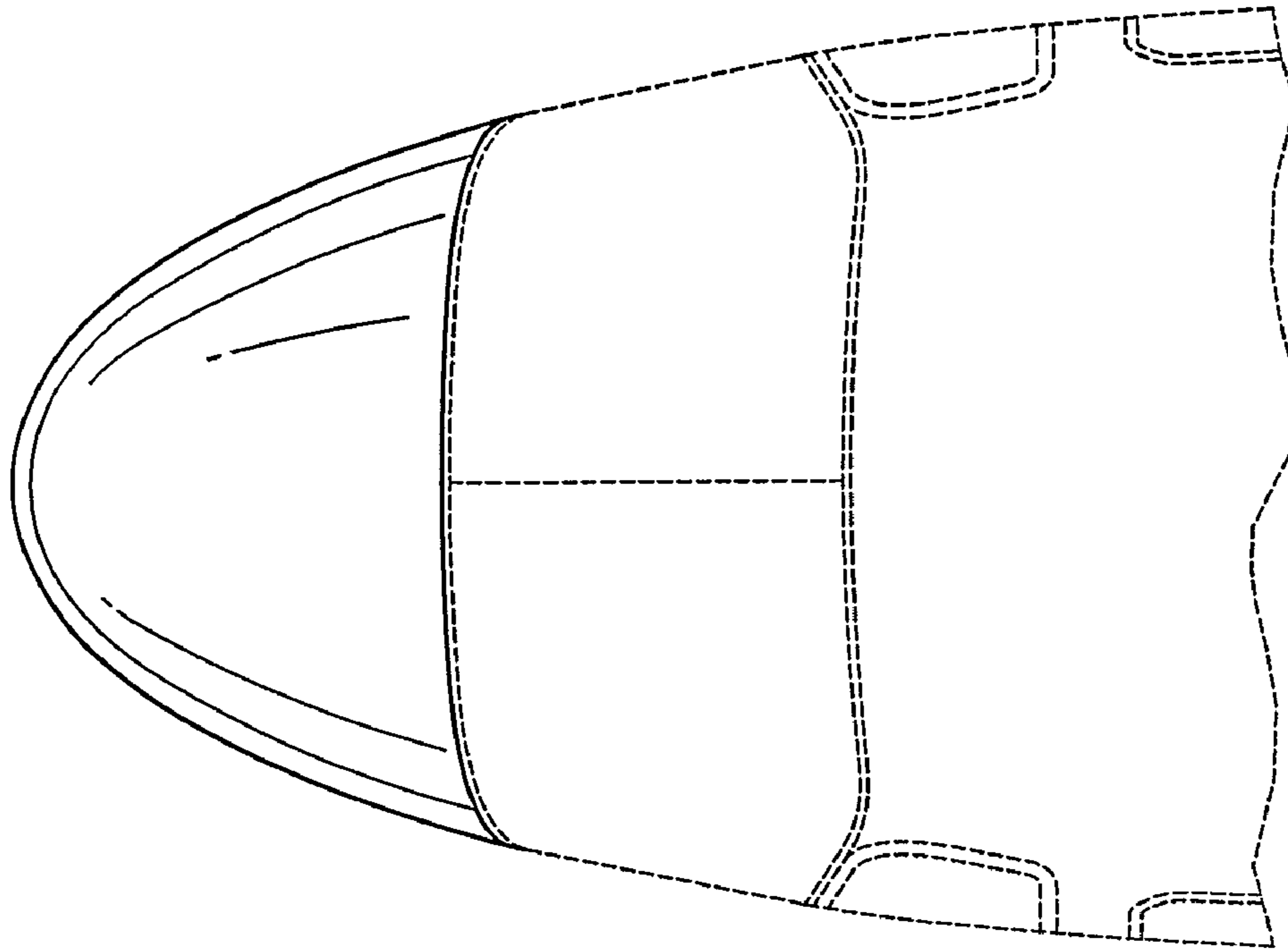


FIG. 5