



US00D678169S

(12) **United States Design Patent**
Kennelly et al.

(10) **Patent No.:** **US D678,169 S**
(45) **Date of Patent:** **** Mar. 19, 2013**

(54) **AIRCRAFT**

(75) Inventors: **Brendan Kennelly**, Fullerton, CA (US);
Eric Allison, Menlo Park, CA (US); **Ilan Kroo**, Stanford, CA (US); **Calder Hughes**, Mountain View, CA (US);
Geoffrey A. Long, Half Moon Bay, CA (US); **Uri Tzarnotzky**, Palo Alto, CA (US)

(73) Assignee: **Zee.Aero Inc.**, Mountain View, CA (US)

(**) Term: **14 Years**

(21) Appl. No.: **29/402,034**

(22) Filed: **Sep. 19, 2011**

(51) **LOC (9) Cl.** **12-07**

(52) **U.S. Cl.** **D12/319; D12/328**

(58) **Field of Classification Search** D12/319,
D12/326, 327, 328, 329, 331-334, 337, 338,
D12/339, 344, 345; 244/5, 6, 2, 17.11, 17.19,
244/17.23, 17.25, 17.27, 7 A, 8, 99.1, 99.11,
244/119, 117 R, 118.5, 60; D21/430, 442,
D21/447, 448, 449, 450, 451; 446/230, 231,
446/232

See application file for complete search history.

(56) **References Cited**

U.S. PATENT DOCUMENTS

2,517,850 A * 8/1950 Dillavou 244/5
2,540,404 A * 2/1951 Neale 244/17.11
3,082,977 A * 3/1963 Arlin 244/17.23
3,201,068 A * 8/1965 Miller et al. 244/17.23

3,253,806 A * 5/1966 Eickmann 244/17.23
3,360,219 A * 12/1967 Wigal 244/17.23
3,405,890 A * 10/1968 Eickmann 244/17.23
3,762,669 A * 10/1973 Curci 244/17.23
3,873,049 A * 3/1975 Horsdal 244/17.23
4,770,371 A * 9/1988 Eickmann 244/7 A
D401,898 S 12/1998 Lauder et al.
6,260,796 B1 * 7/2001 Klingensmith 244/23 R
D446,182 S * 8/2001 Adam et al. D12/331
D458,892 S * 6/2002 DeTore et al. D12/319
D500,008 S * 12/2004 Bulaga D12/345
D607,806 S 1/2010 Saint-Jalmes et al.
2008/0048065 A1 * 2/2008 Kuntz 244/17.23
2010/0314492 A1 * 12/2010 Stamps et al. 244/60

* cited by examiner

Primary Examiner — Caron D Veynar

Assistant Examiner — Martie K Holtje

(74) *Attorney, Agent, or Firm* — Fenwick & West LLP

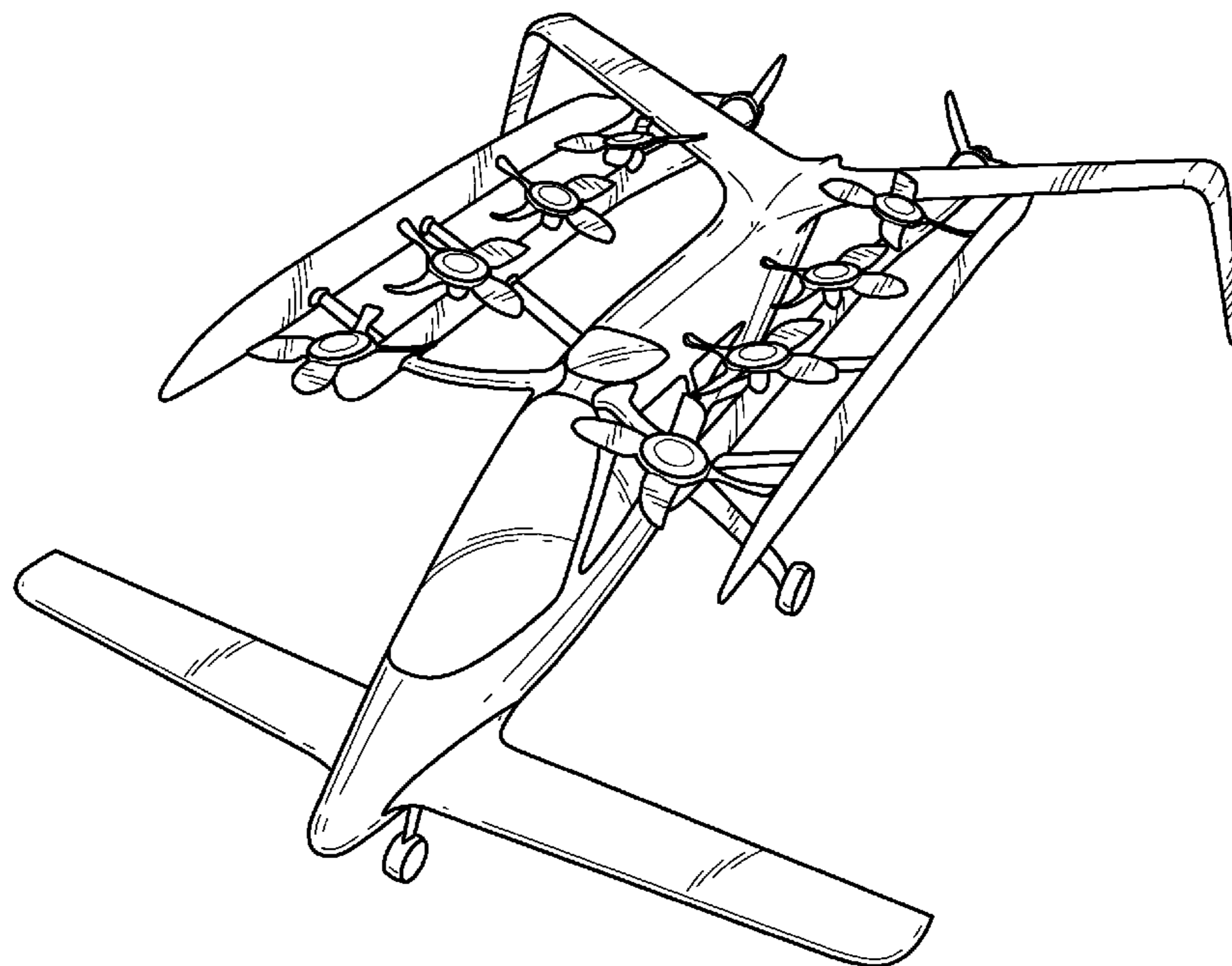
(57) **CLAIM**

We claim the ornamental design for an aircraft, as shown and described.

DESCRIPTION

FIG. 1 is a top, right front perspective view of an aircraft showing our new design;
FIG. 2 is a right side elevational view, the left side being a mirror image thereof;
FIG. 3 is a front elevational view thereof;
FIG. 4 is a rear elevational view thereof;
FIG. 5 is a top plan view thereof; and,
FIG. 6 is a bottom plan view thereof.

1 Claim, 6 Drawing Sheets



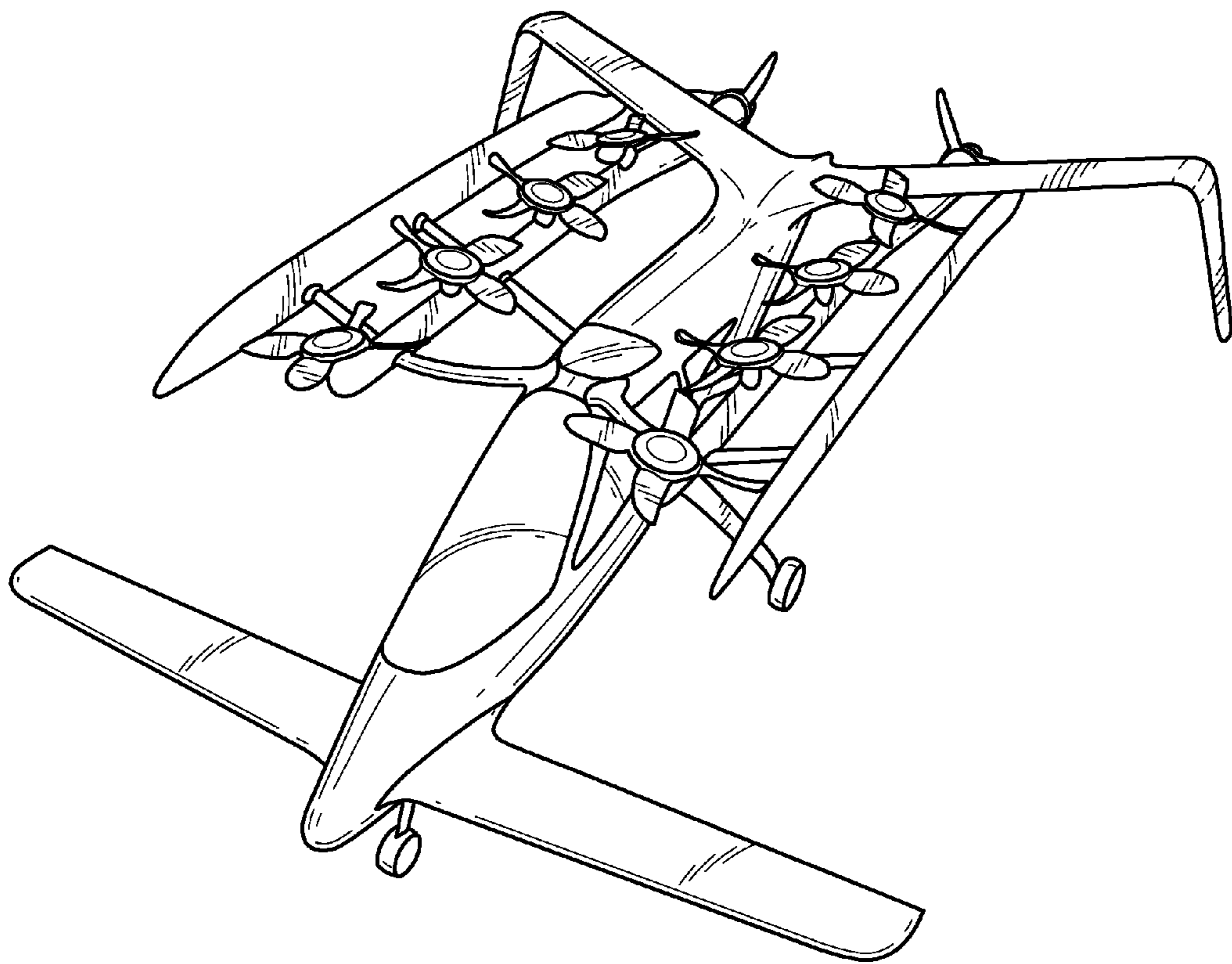


FIG. 1

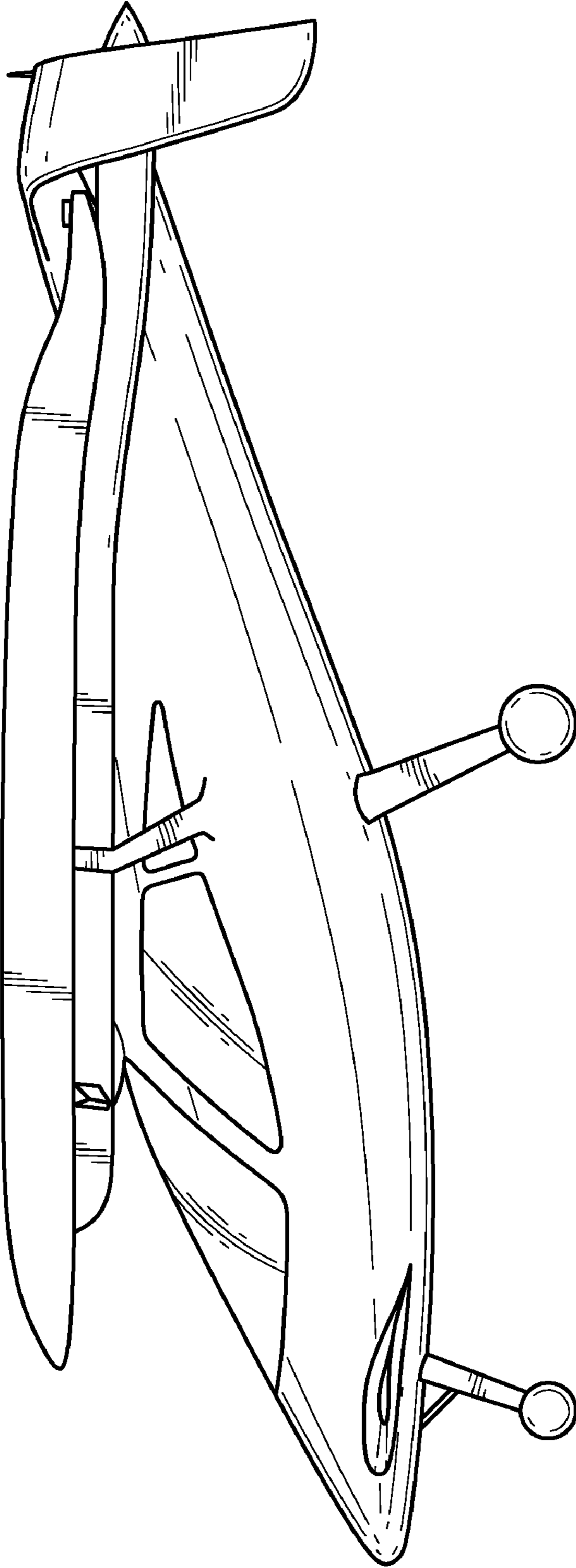


FIG. 2

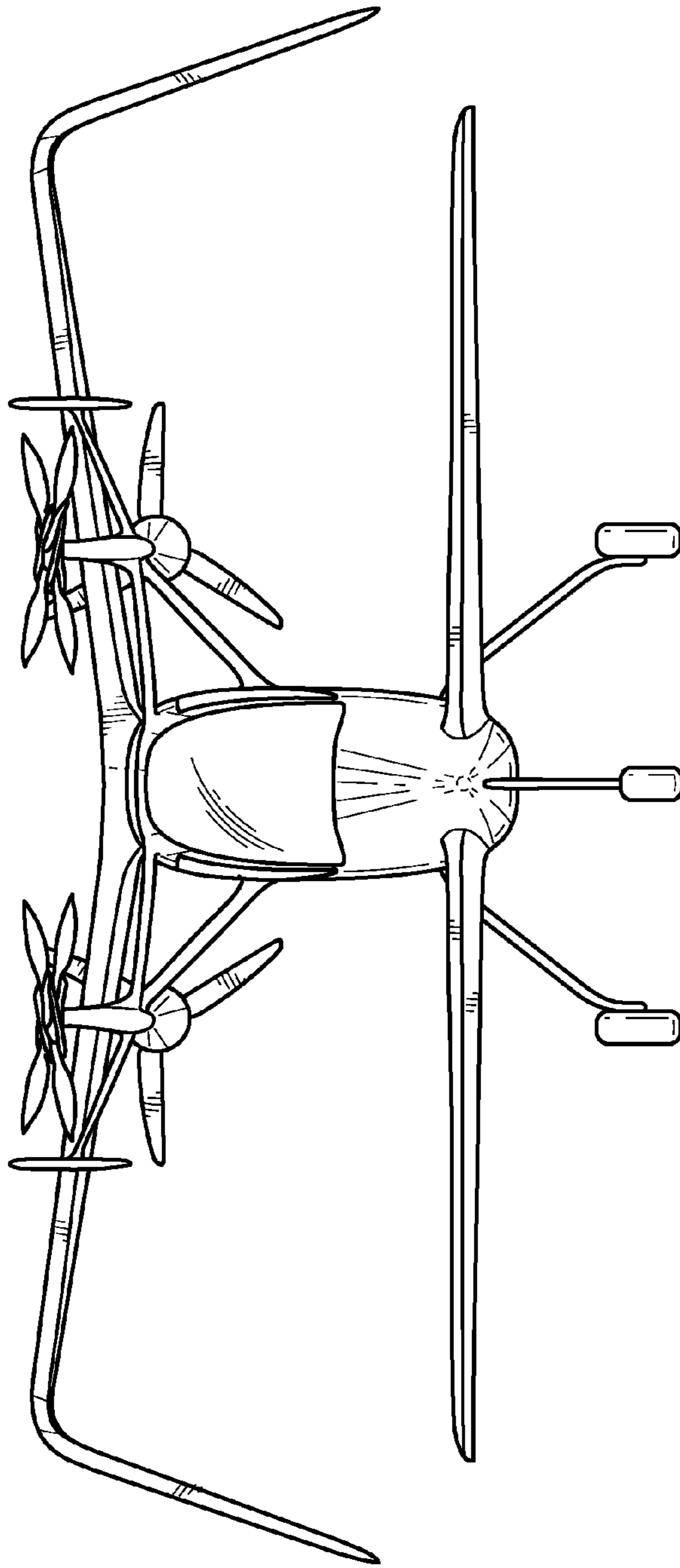


FIG. 3

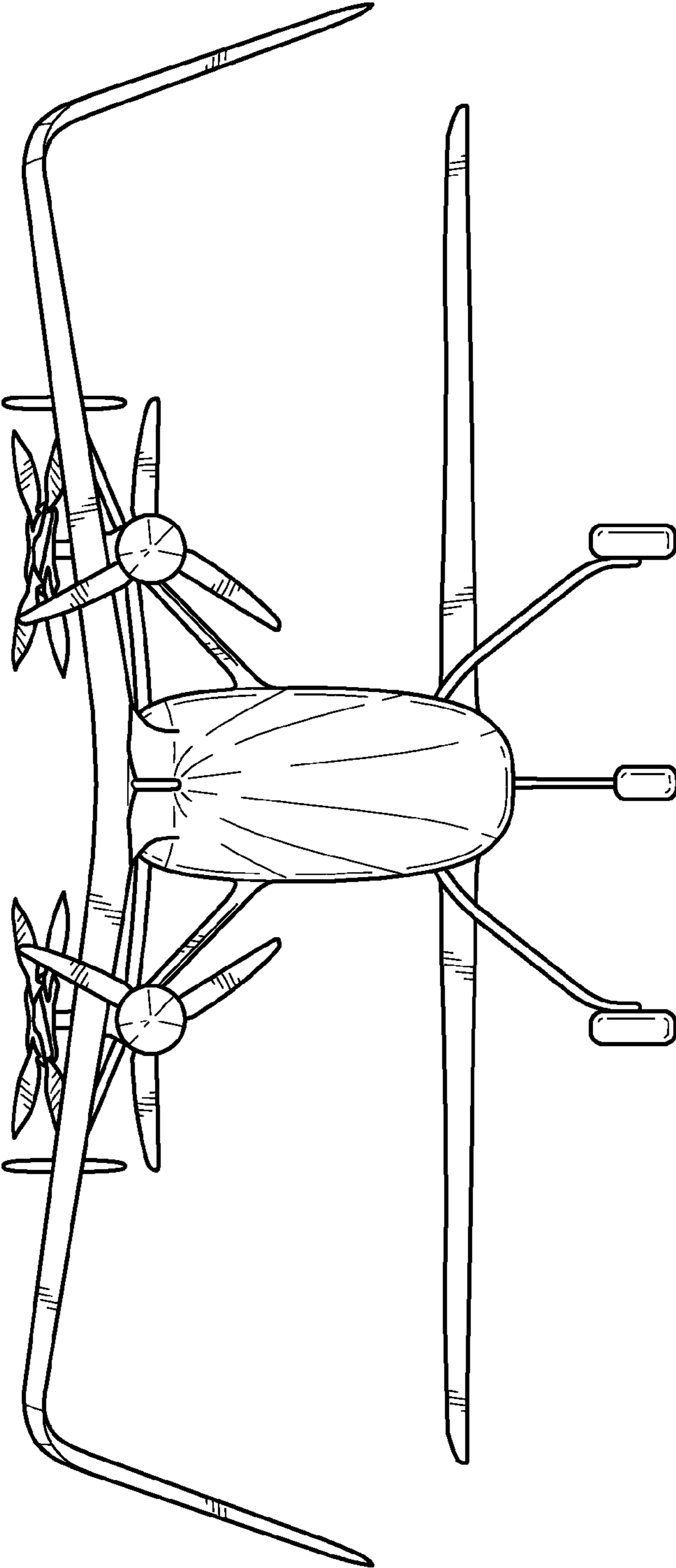


FIG. 4

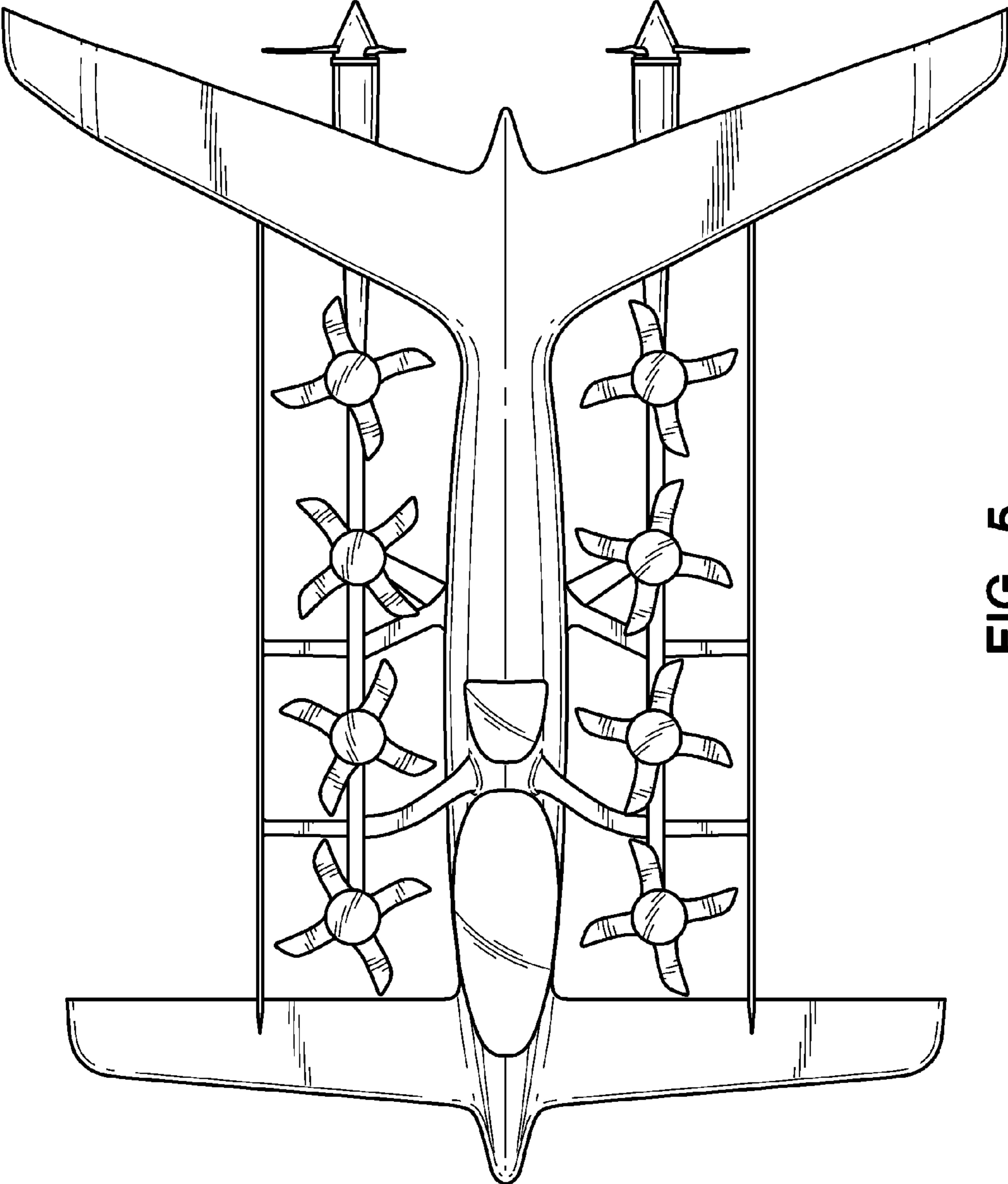


FIG. 5

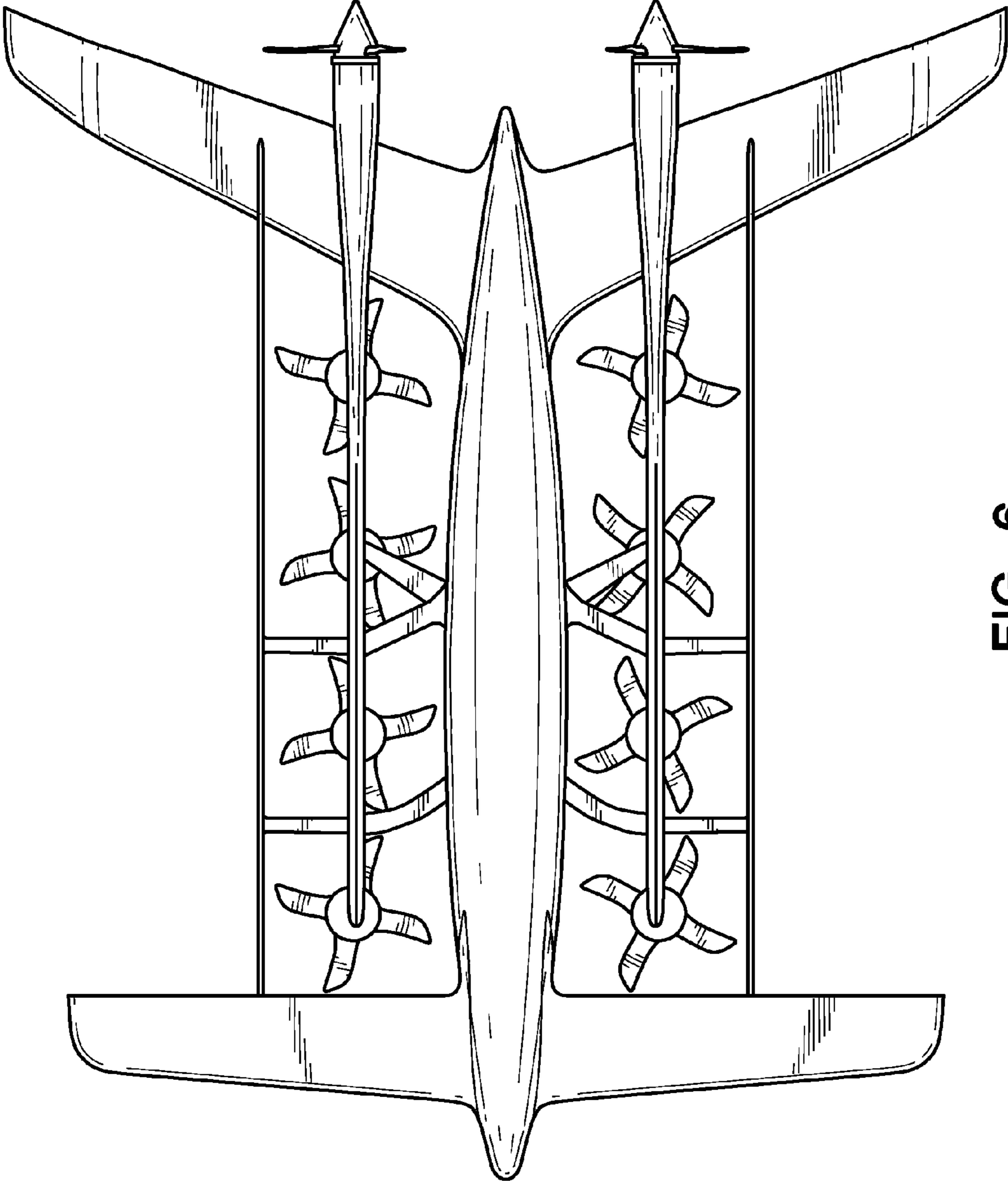


FIG. 6