



US00D678168S

(12) **United States Design Patent**
Gasper

(10) **Patent No.:** **US D678,168 S**
(45) **Date of Patent:** **** Mar. 19, 2013**

- (54) **WAKE TOWER**
- (75) Inventor: **Daniel Gasper**, Atwater, CA (US)
- (73) Assignee: **Malibu Boats, LLC**, Merced, CA (US)
- (**) Term: **14 Years**
- (21) Appl. No.: **29/430,440**
- (22) Filed: **Aug. 24, 2012**

- 4,453,482 A 6/1984 Barker
- 4,528,927 A 7/1985 Iizuka et al.
- 4,561,375 A 12/1985 Paxton
- 4,593,641 A 6/1986 Adams et al.
- 4,641,597 A 2/1987 Paxton
- 4,694,773 A 9/1987 Sparkes et al.
- 4,893,577 A 1/1990 Jennings
- 5,018,474 A 5/1991 Jellen
- 5,050,517 A 9/1991 Kobayashi
- 5,052,326 A 10/1991 Wiggen et al.
- 5,105,754 A 4/1992 Collins

(Continued)

Related U.S. Application Data

- (62) Division of application No. 29/356,573, filed on Feb. 26, 2010, now Pat. No. Des. 666,135.
- (51) **LOC (9) Cl.** **12-06**
- (52) **U.S. Cl.** **D12/317**
- (58) **Field of Classification Search** D12/300, D12/301, 310-314, 317, 318, 114; 114/247, 114/249, 250, 253, 254, 343, 361, 364
See application file for complete search history.

FOREIGN PATENT DOCUMENTS

- JP 04-071985 3/1992
- JP 07-277274 10/1995

(Continued)

OTHER PUBLICATIONS

Various pages from *Wake Boarding Magazine*, from Dec. 2000 and earlier, (241 pages).

(Continued)

(56) **References Cited**

U.S. PATENT DOCUMENTS

- 2,524,188 A 10/1950 Christie
- 2,821,726 A 2/1958 Correll
- 2,997,188 A 8/1961 Hauser
- 3,034,470 A 5/1962 Vanderfelt et al.
- D195,068 S 4/1963 Griparis
- 3,122,609 A 2/1964 Moore
- 3,336,894 A 8/1967 Eisner
- 3,352,275 A 11/1967 Wilson
- 3,503,358 A 3/1970 Moesly
- 3,724,595 A 4/1973 Green
- 3,802,374 A 4/1974 Brown
- 3,811,143 A 5/1974 Page
- 3,890,918 A 6/1975 Sell
- 3,919,963 A 11/1975 Cox, III
- 3,925,836 A 12/1975 Simmonds
- 3,935,830 A 2/1976 Cox
- 3,949,698 A 4/1976 Sell
- 3,965,837 A 6/1976 Michael
- 3,987,746 A 10/1976 McCulloh
- 4,033,280 A 7/1977 Wood et al.
- 4,163,529 A 8/1979 Krenzer et al.
- 4,341,177 A 7/1982 Miyazaki et al.

Primary Examiner — Cynthia M Chin

(74) *Attorney, Agent, or Firm* — Knobbe, Martens, Olson & Bear, LLP

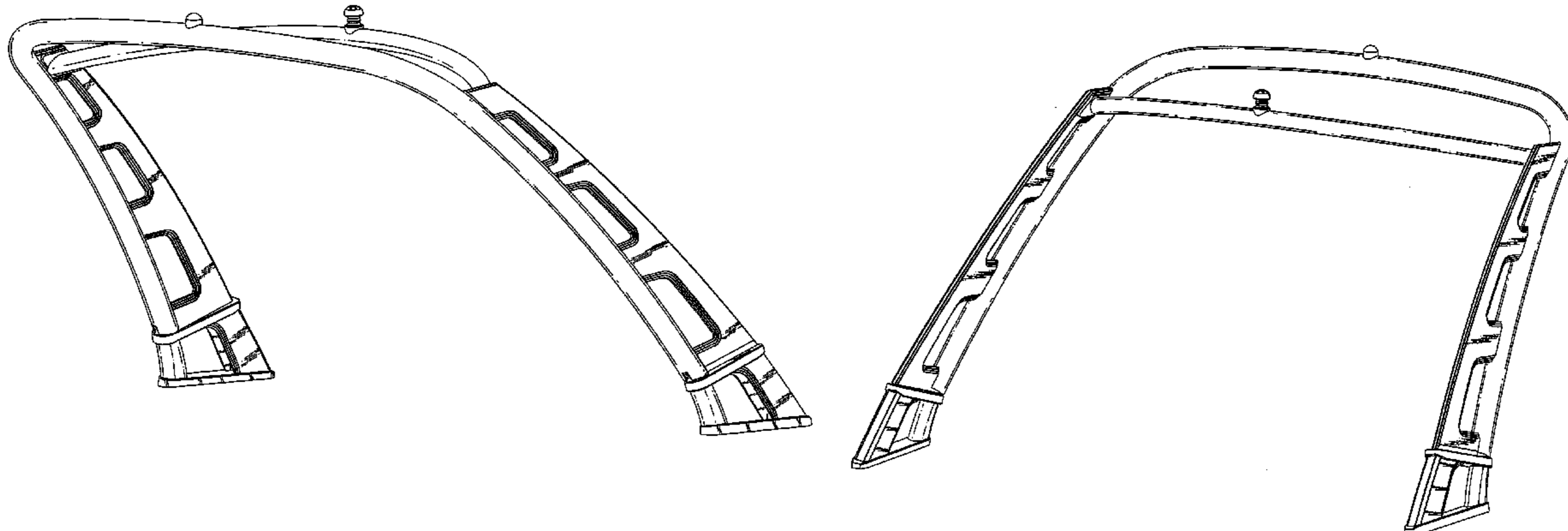
(57) **CLAIM**

The ornamental design for a wake tower, as shown and described.

DESCRIPTION

FIG. 1 is a front perspective view of a wake tower showing the new design;
 FIG. 2 is a front view thereof;
 FIG. 3 is a bottom view thereof;
 FIG. 4 is a left-side view thereof;
 FIG. 5 is a right-side view thereof;
 FIG. 6 is top view thereof;
 FIG. 7 is a rear view thereof; and,
 FIG. 8 is a rear perspective view thereof.

1 Claim, 8 Drawing Sheets



US D678,168 S

Page 2

U.S. PATENT DOCUMENTS

5,215,025	A	6/1993	Talmor	
5,417,178	A	5/1995	Harrelson, II	
5,520,133	A	5/1996	Wiegert	
5,520,139	A	5/1996	King et al.	
5,645,003	A	7/1997	Grinde	
5,669,325	A	9/1997	Feikema	
5,673,507	A	10/1997	Stokes, Jr.	
D395,866	S	7/1998	Fowler et al.	
5,787,835	A	8/1998	Remnant	
5,860,766	A	1/1999	Lochtefeld et al.	
D409,972	S	5/1999	Todd	
5,934,217	A	8/1999	Allsop	
5,943,977	A	8/1999	Womack et al.	
5,979,350	A	11/1999	Larson et al.	
6,044,788	A	4/2000	Larson et al.	
6,192,819	B1	2/2001	Larson et al.	
D442,910	S	5/2001	Metcalf	
6,374,762	B1	4/2002	Larson et al.	
RE37,823	E	9/2002	Larson et al.	
D462,932	S	9/2002	Larson	
D480,349	S	10/2003	Carlton	
6,666,159	B2	12/2003	Larson et al.	
D486,441	S	2/2004	Metcalf	
D489,314	S	5/2004	Metcalf	
6,792,888	B1	9/2004	Metcalf	
6,865,999	B2	3/2005	Bierbower, Jr.	
6,986,321	B2	1/2006	Metcalf	
D534,855	S	1/2007	Metcalf	
7,219,617	B2	5/2007	Metcalf	
D551,154	S	9/2007	Metcalf	
7,299,761	B2	11/2007	Larson et al.	
7,302,907	B2	12/2007	Carlton	
7,392,758	B2	7/2008	Metcalf	
D605,575	S	12/2009	Oswell et al.	
D611,397	S *	3/2010	Oswell et al.	D12/317
7,699,016	B2	4/2010	Snook et al.	
D658,566	S *	5/2012	Gros	D12/406

8,171,874	B2 *	5/2012	Gasper	114/364
8,196,542	B2 *	6/2012	Oswell et al.	114/364
D664,495	S *	7/2012	Oswell et al.	D12/317
D666,135	S *	8/2012	Gasper	D12/317
2004/0144295	A1	7/2004	Bierbower, Jr.	
2004/0187764	A1 *	9/2004	Eck et al.	114/364
2009/0314194	A1	12/2009	Metcalf	
2010/0162937	A1	7/2010	Larson et al.	
2011/0139057	A1	6/2011	Metcalf	

FOREIGN PATENT DOCUMENTS

JP 2001-294195 10/2001

OTHER PUBLICATIONS

Various pages from *Wake Board and Water Ski Business*, Fall 1998 Trade Show Issue, (3 pages).
The University of Florida, Intercollegiate Activity, pub. Jul. 1981, p. 69.
Various pages from *Water Ski*, from Dec. 1998 and earlier (81 pages).
Various pages from *Sport Fishing*, from Mar. 1996 and earlier, (5 pages).
Various pages from *Marlin*, from Jul. 1996, (2 pages).
Photographs, circa 1950, Cypress Gardens, FL archives, (12 pages).
Photograph, circa 1948, Earl "Pappy" Hollowell, Panorama City.
"How to Buy a Wakeboard Tower or Towers," downloaded Jul. 9, 2009 from www.wakeboarder.com/features/buy_a_wakeboard_tower.phtml, 8 pages.
Joystick downloaded from www.joystickpylons.com on Dec. 12, 1998.
Excerpt from *Water Skier Yearbook*, American Water Ski Association, Aug. 1963.
Excerpt from Pope, *Water Skiing*, at least as early as Jan. 2009.
Excerpt from Taco Supply Marine Catalog, 1987-1988.
Illusion XS Tower, at least as early as Jan. 2009.

* cited by examiner

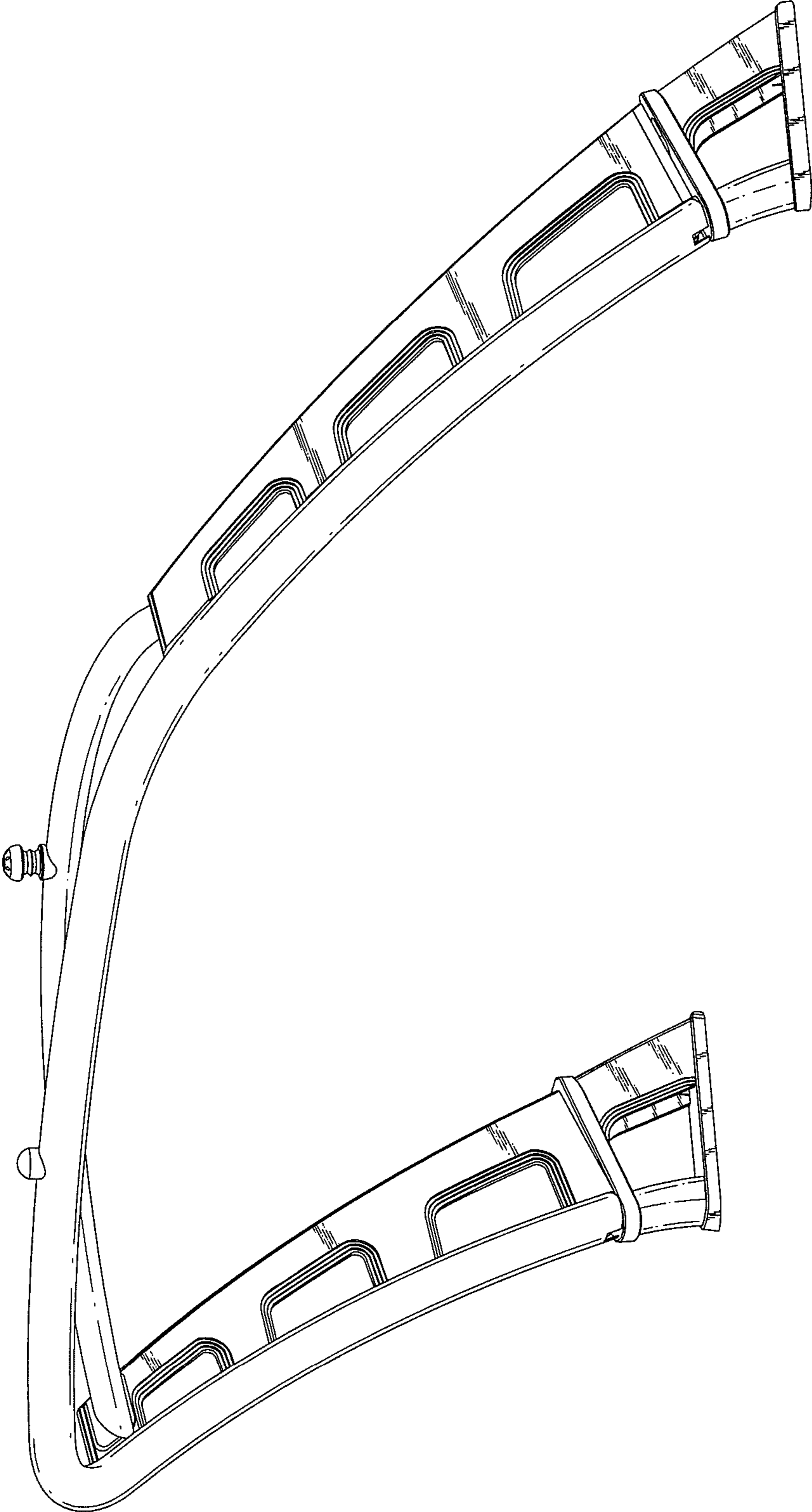


FIG. 1

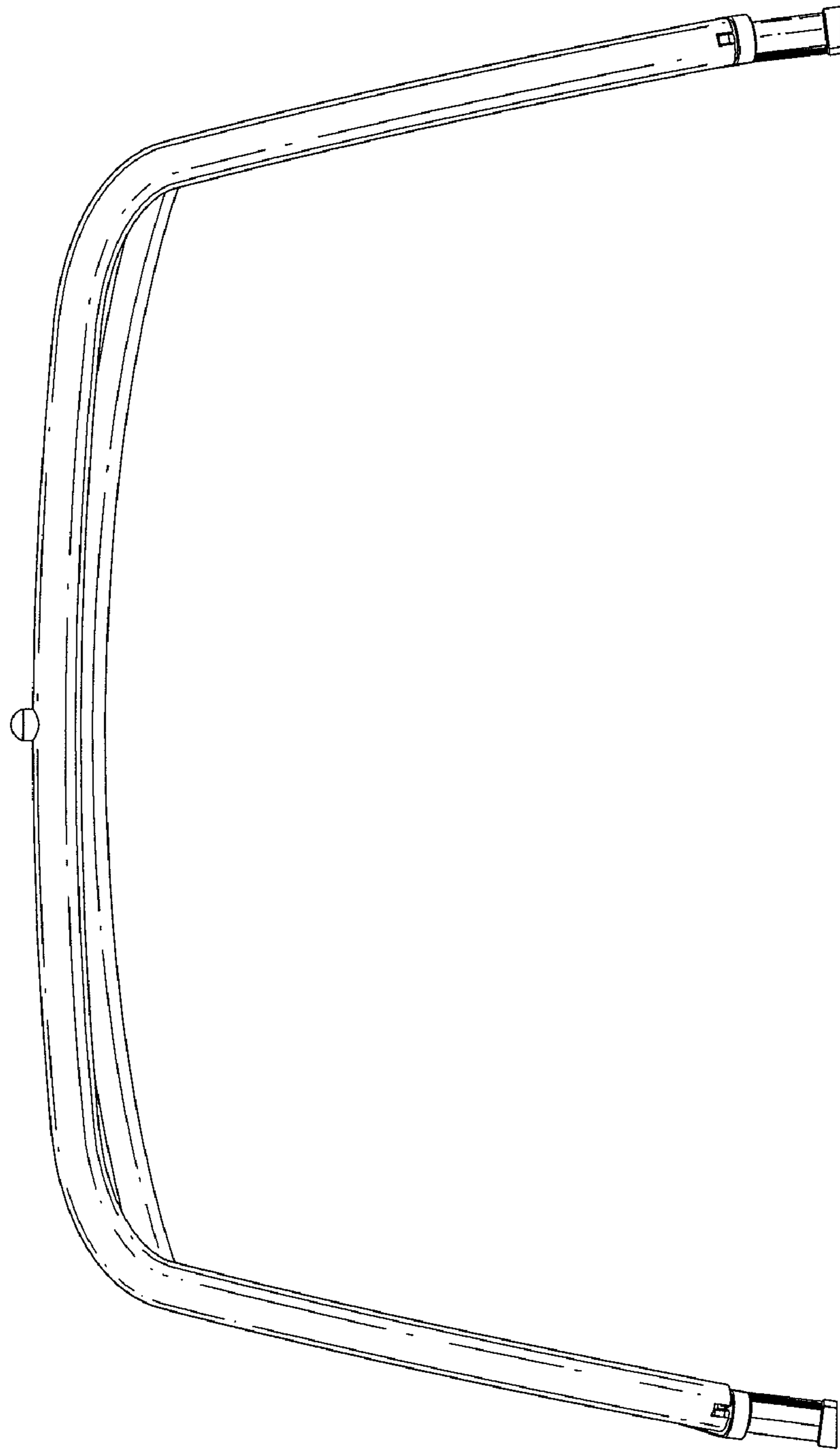


FIG. 2

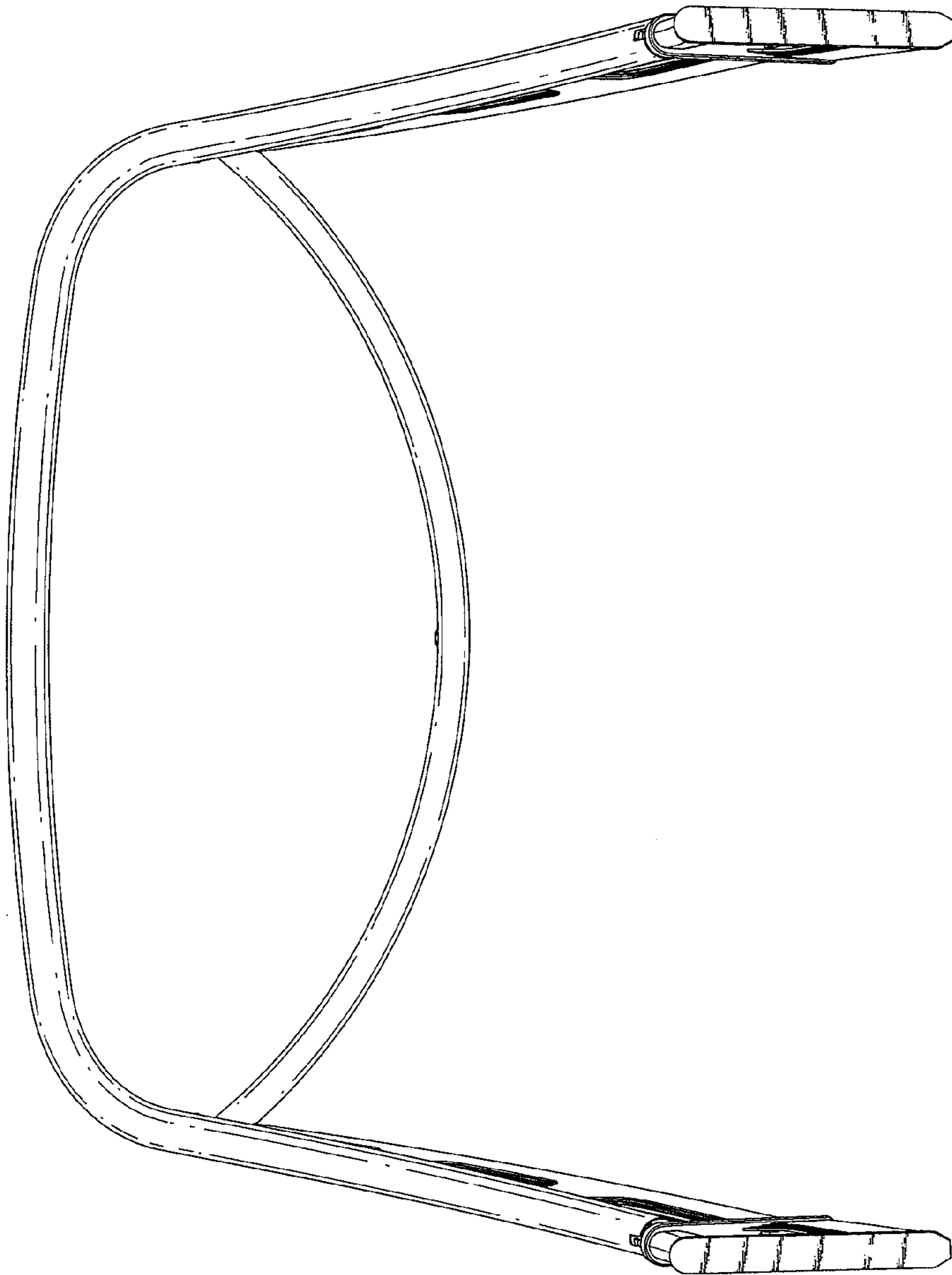


FIG. 3

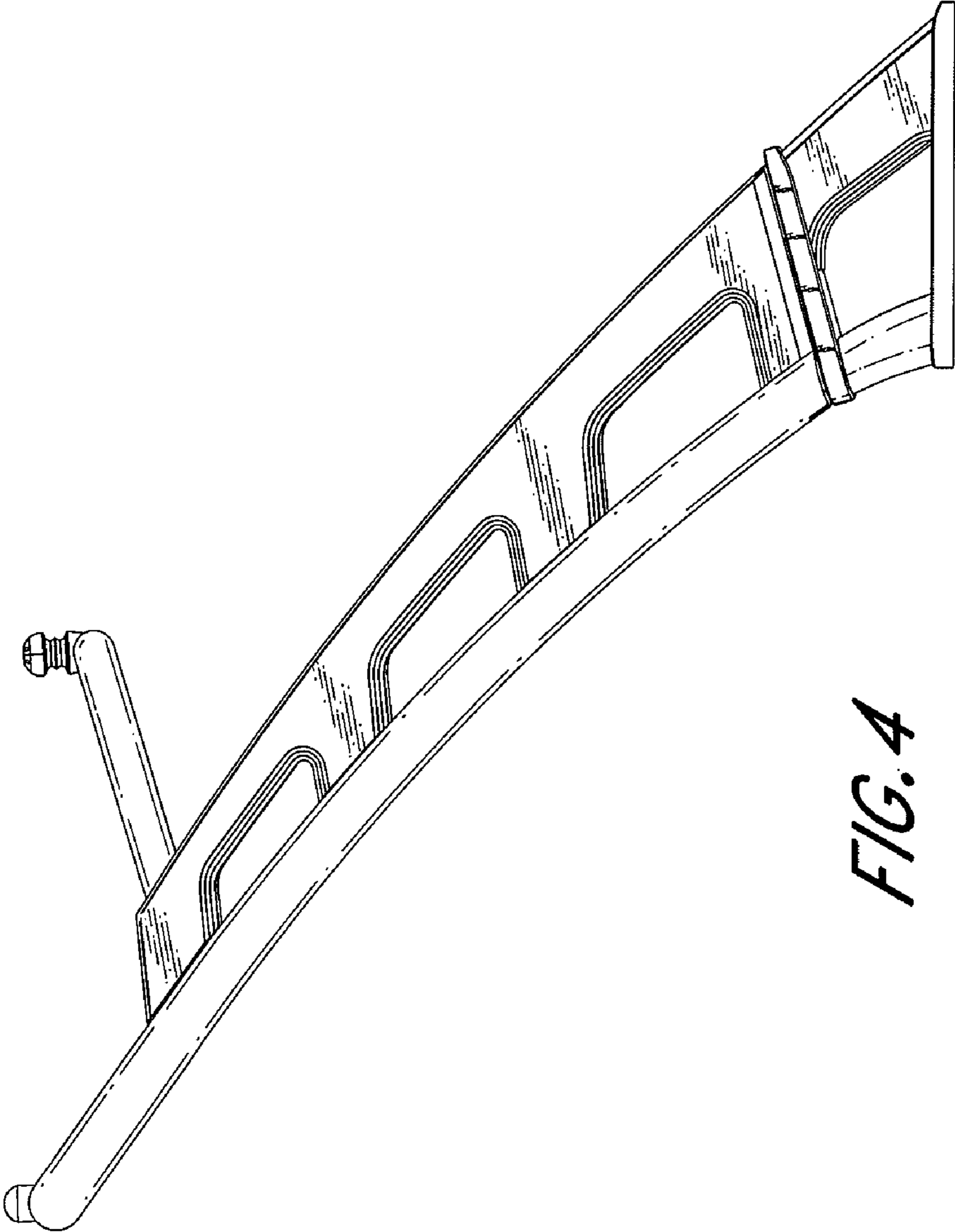


FIG. 4

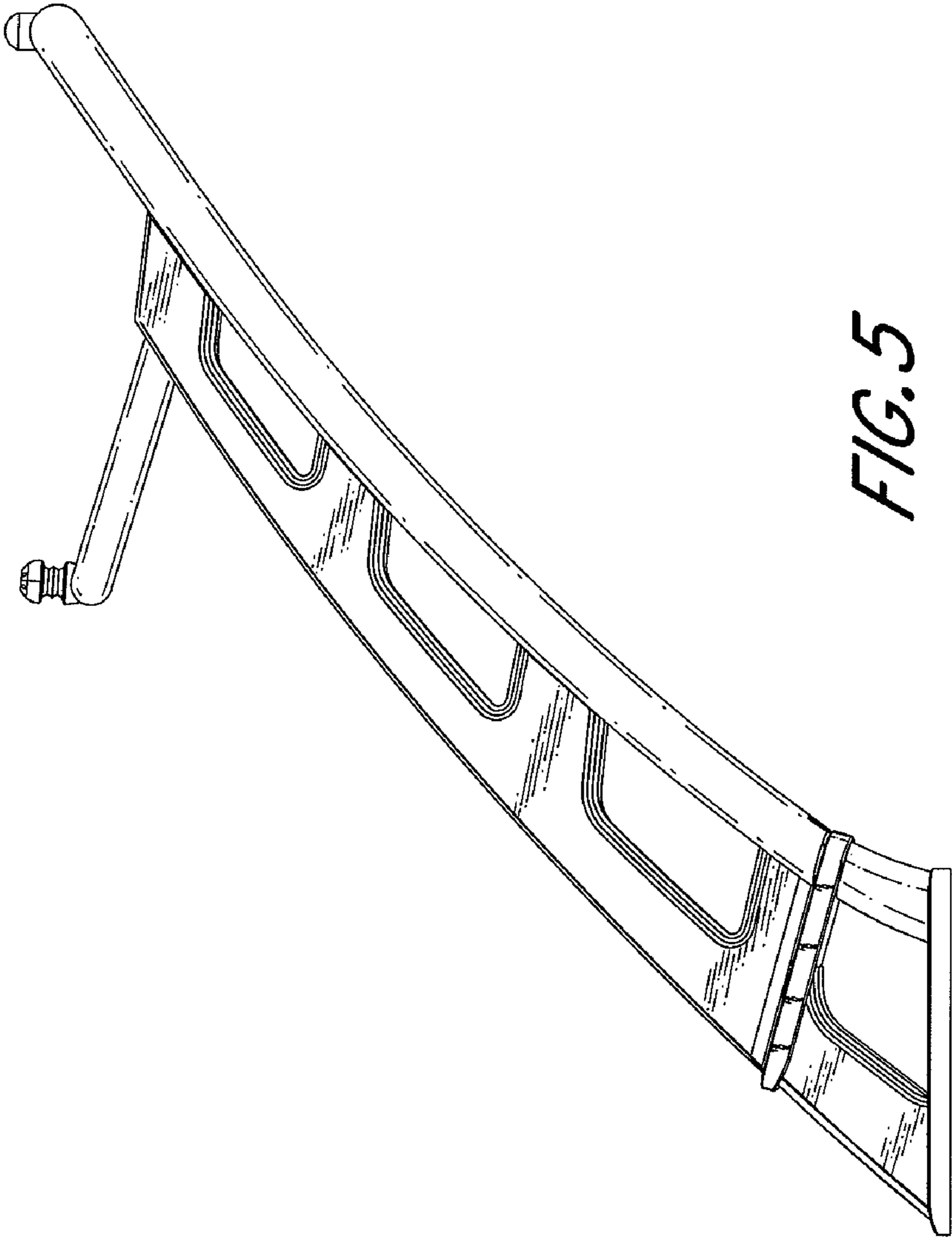


FIG. 5

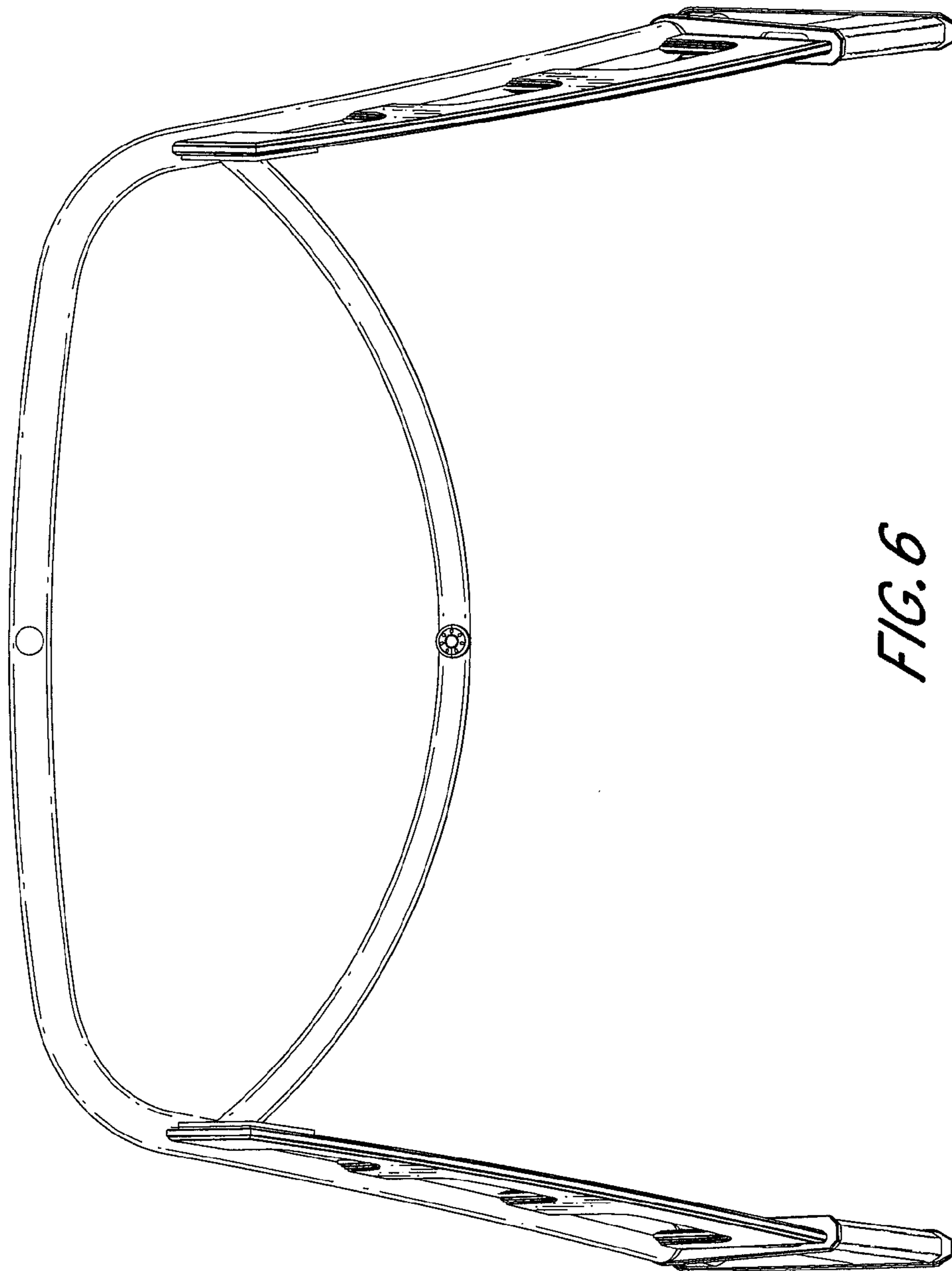


FIG. 6

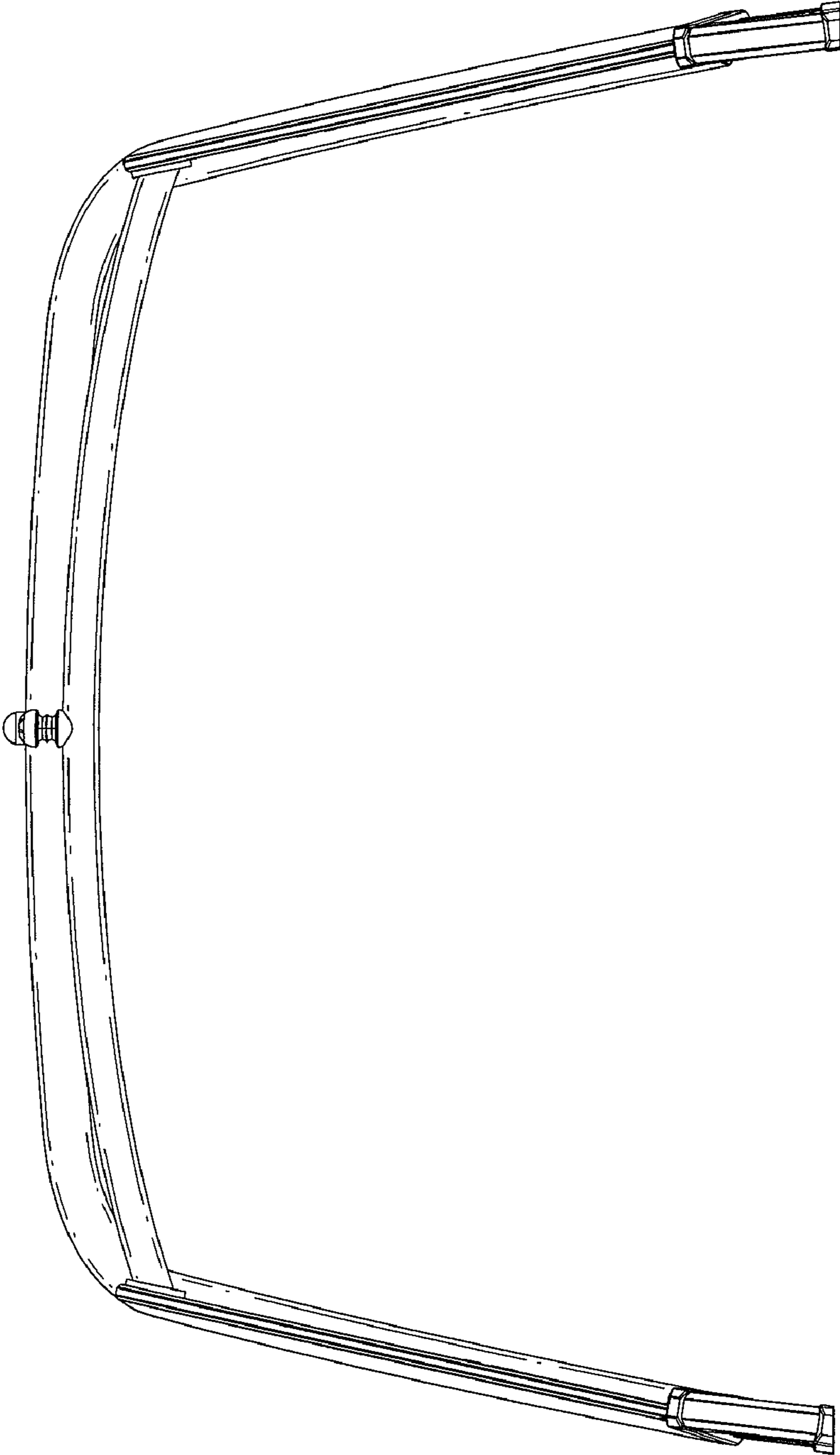


FIG. 7

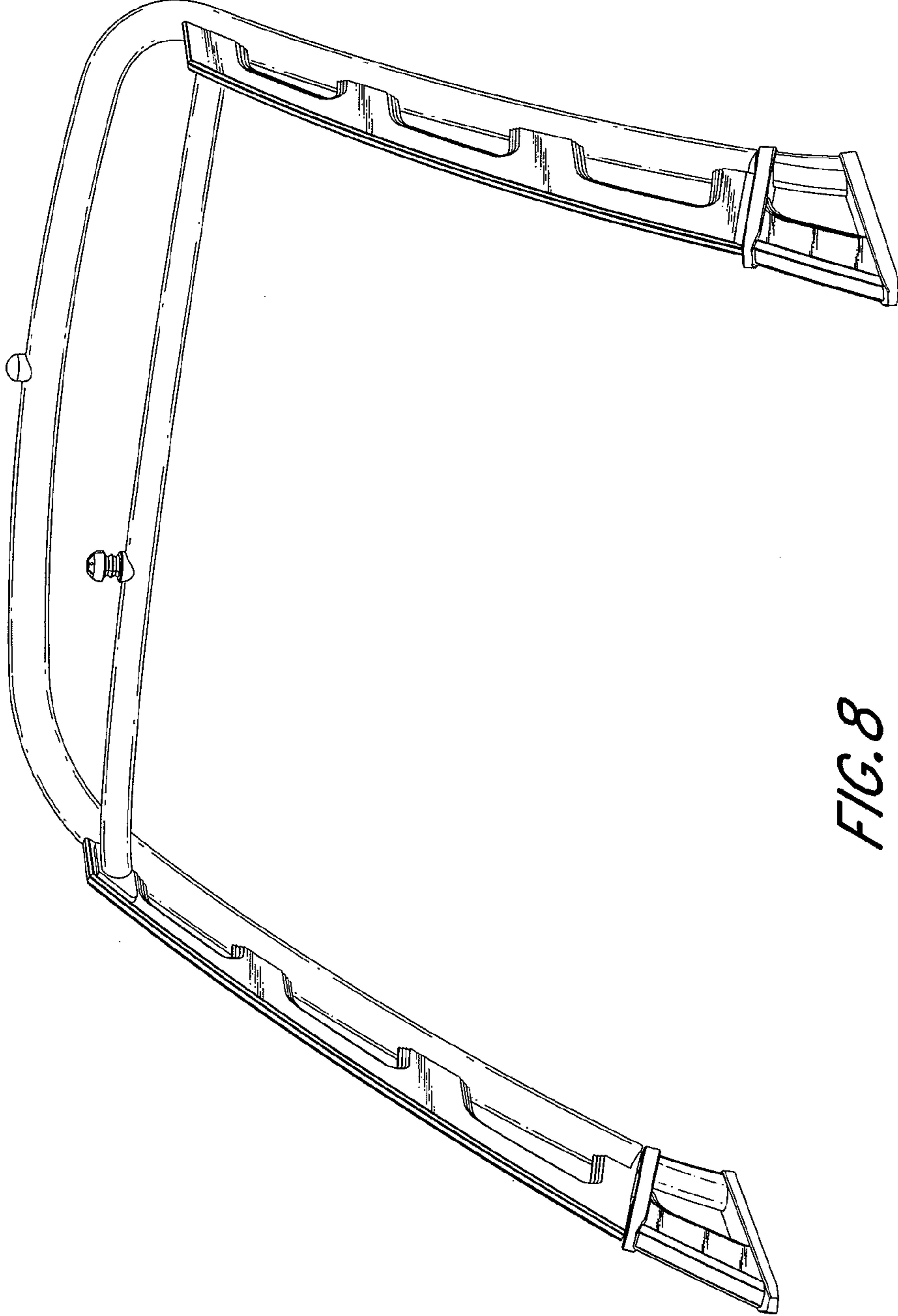


FIG. 8