



US00D678167S

(12) **United States Design Patent**  
**Frost**

(10) **Patent No.:** **US D678,167 S**  
(45) **Date of Patent:** **\*\* Mar. 19, 2013**

(54) **STORAGE BRACKET FOR VEHICLE GEAR BAGS**

(76) Inventor: **Andrew Meyer Frost**, Oskaloosa, IA  
(US)

(\*\*) Term: **14 Years**

(21) Appl. No.: **29/397,807**

(22) Filed: **Jul. 21, 2011**

**Related U.S. Application Data**

(63) Continuation-in-part of application No. 12/166,624,  
filed on Jul. 2, 2008, now abandoned.

(51) **LOC (9) Cl.** ..... **12-06**

(52) **U.S. Cl.** ..... **D12/223**

(58) **Field of Classification Search** ..... D12/223;  
D8/382, 349, 354, 363, 366, 373; 248/200,  
248/300, 304, 317, 339, 503; 224/400, 401,  
224/275

See application file for complete search history.

(56) **References Cited**

**U.S. PATENT DOCUMENTS**

1,625,011	A	4/1927	Wolfe et al.	
3,013,807	A	12/1961	Winterhoff	
D242,766	S *	12/1976	Neece	D8/354
5,215,346	A	6/1993	Reitzloff et al.	
5,518,158	A	5/1996	Matlack	
6,092,704	A	7/2000	Baumeister	
6,227,593	B1	5/2001	De Valcourt	
6,231,284	B1	5/2001	Kordel	
6,349,865	B1	2/2002	Tolley et al.	
6,422,627	B1	7/2002	Kuhn et al.	
D463,728	S *	10/2002	Johnson	D8/349
6,457,618	B1	10/2002	Hancock et al.	

6,481,604	B1	11/2002	Beene et al.	
6,502,731	B1	1/2003	Gehring et al.	
6,502,885	B1	1/2003	Gammon et al.	
6,533,340	B1	3/2003	Gaunzon et al.	
6,712,567	B2	3/2004	Hsu	
6,948,755	B1	9/2005	Bauer	
6,971,826	B2	12/2005	Valentine	
D646,956	S *	10/2011	Leung	D8/354
D664,831	S *	8/2012	Scherer	D8/349
2006/0204346	A1	9/2006	Lambousis	

\* cited by examiner

*Primary Examiner* — Sheryl Lane

(74) *Attorney, Agent, or Firm* — McKee, Voorhees & Sease,  
P.L.C.

(57) **CLAIM**

I claim the ornamental design for a storage bracket for vehicle gear bags, substantially as shown and described.

**DESCRIPTION**

FIG. 1 is a perspective view of a first embodiment of the storage bracket for vehicle gear bags, according to the present invention.

FIG. 2 is a front elevation view of the bracket shown in FIG. 1.

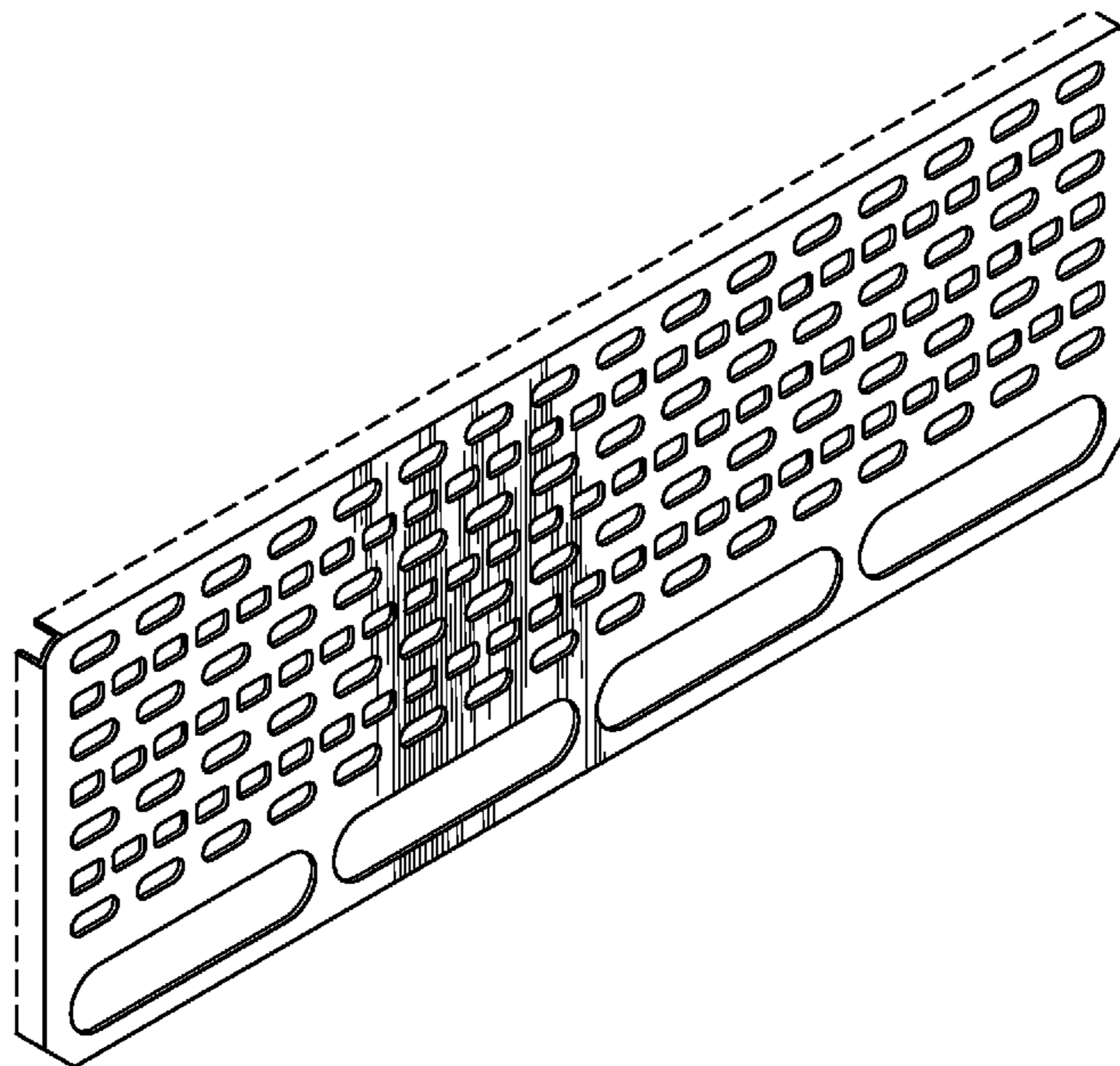
FIG. 3 is a perspective view of a second embodiment of the storage bracket for vehicle gear bags, according to the present invention; and,

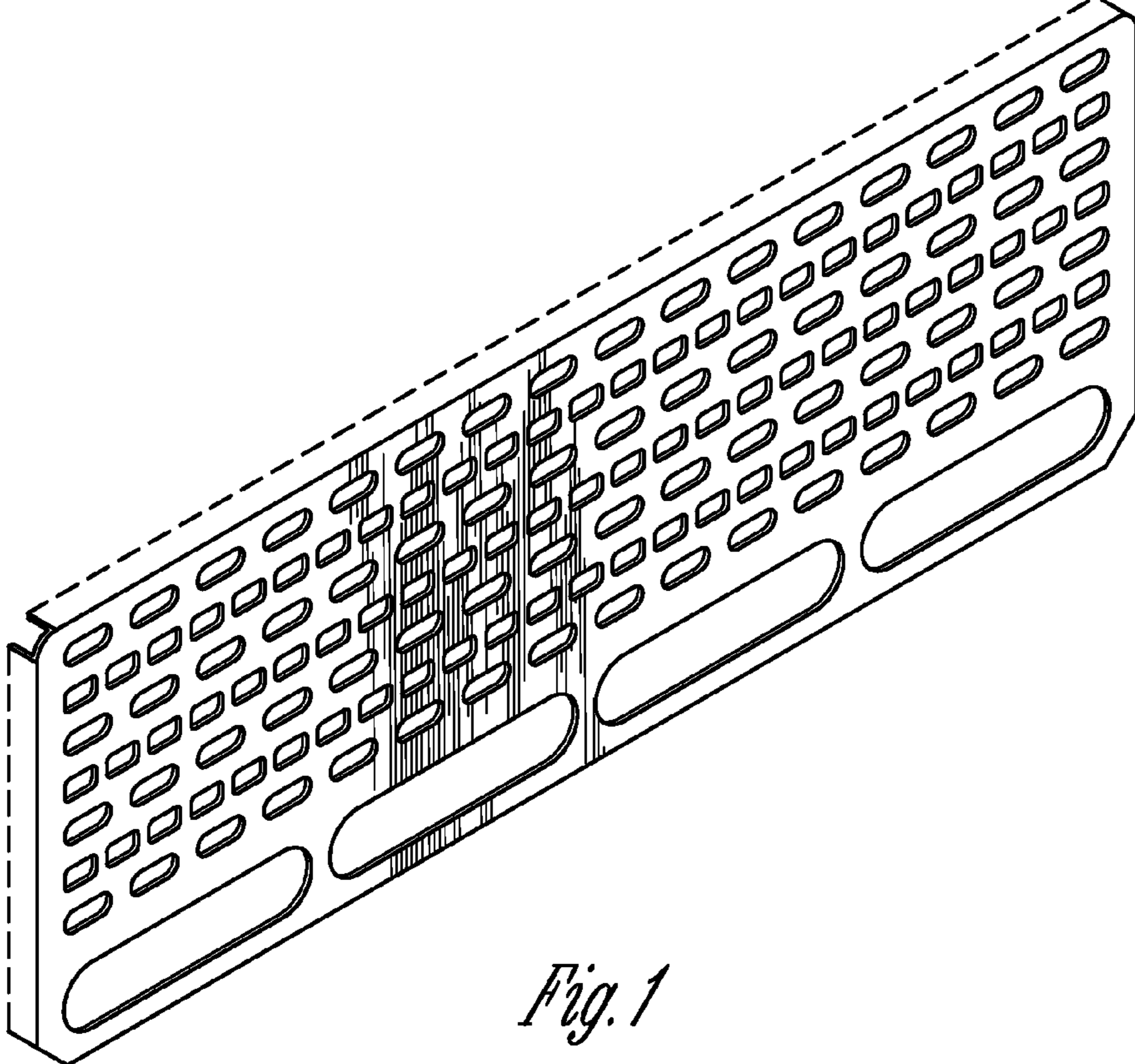
FIG. 4 is a front elevation view of the bracket shown in FIG. 3.

Applicant makes no claim to the sides, top or bottom, or rear of the bracket.

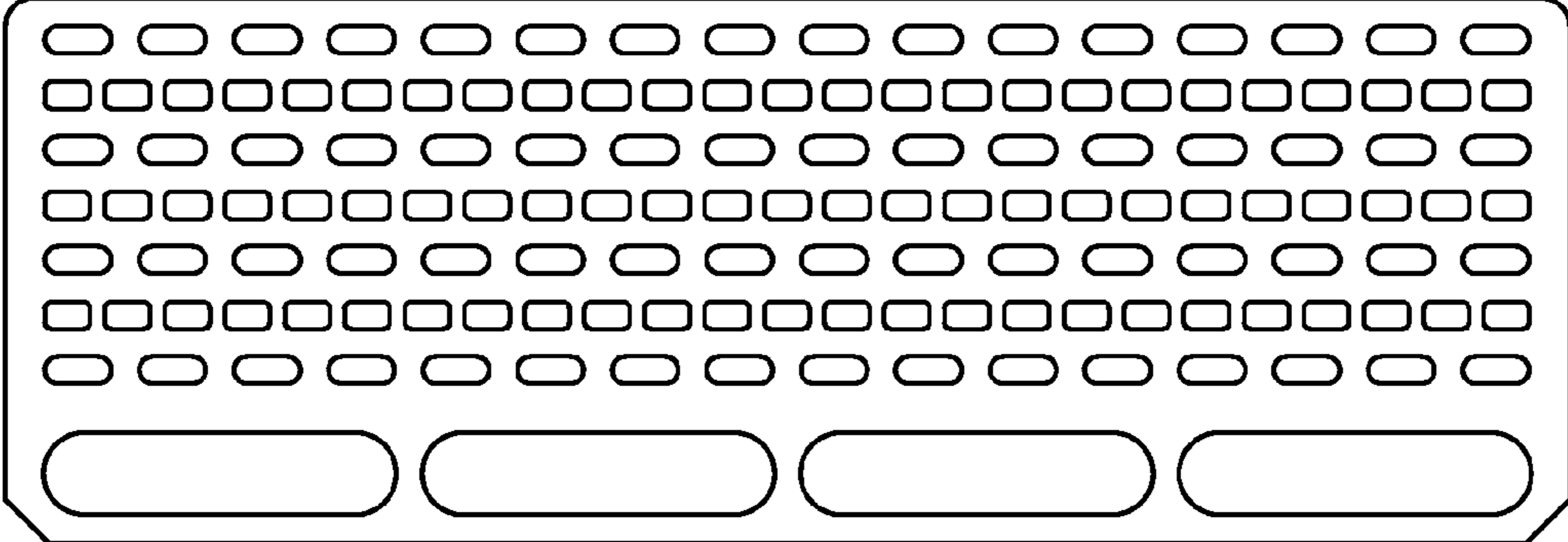
The broken line showing of the bracket is included for the purpose of illustrating portions of the article and forms no part of the claimed design.

**1 Claim, 2 Drawing Sheets**

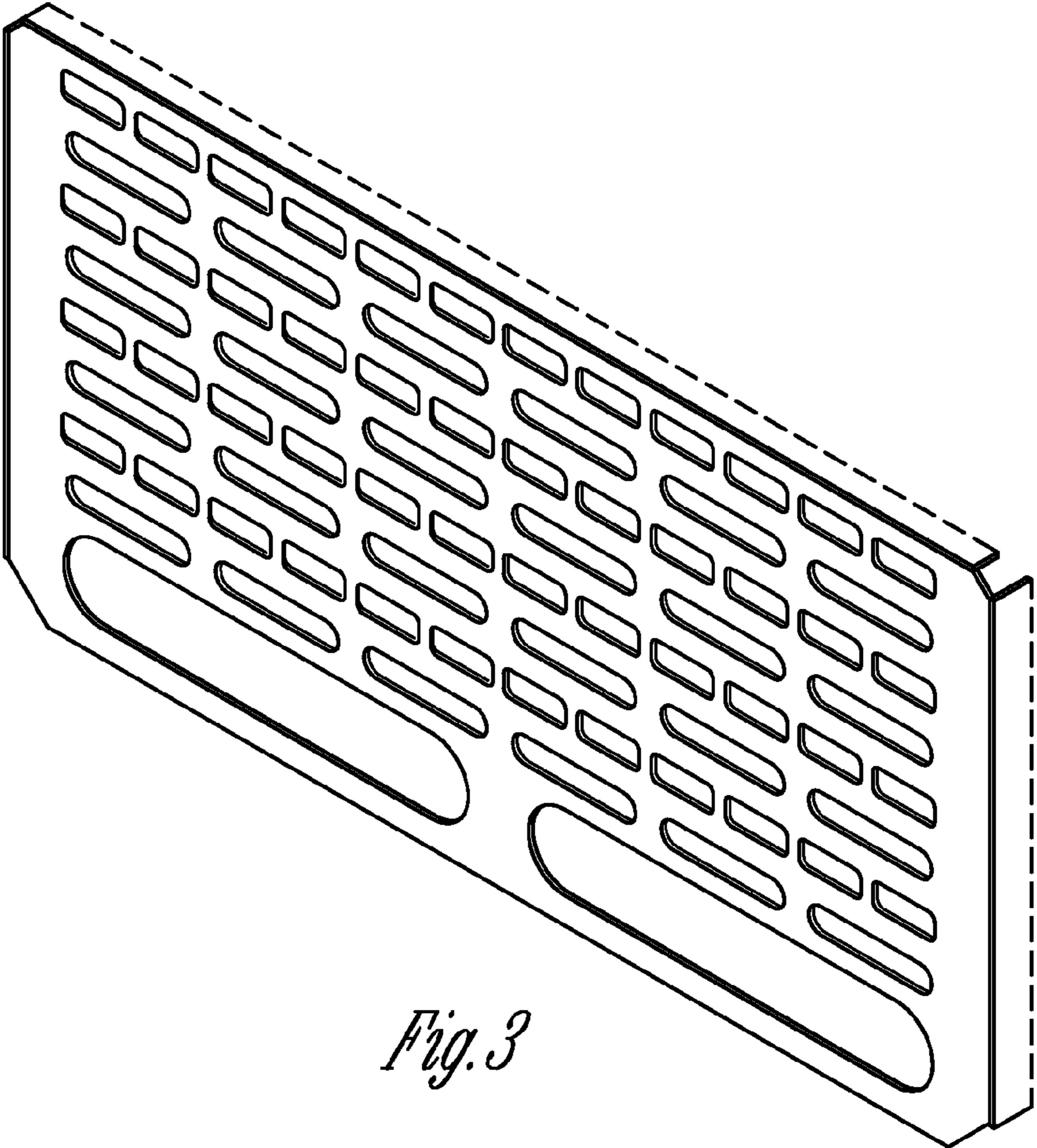




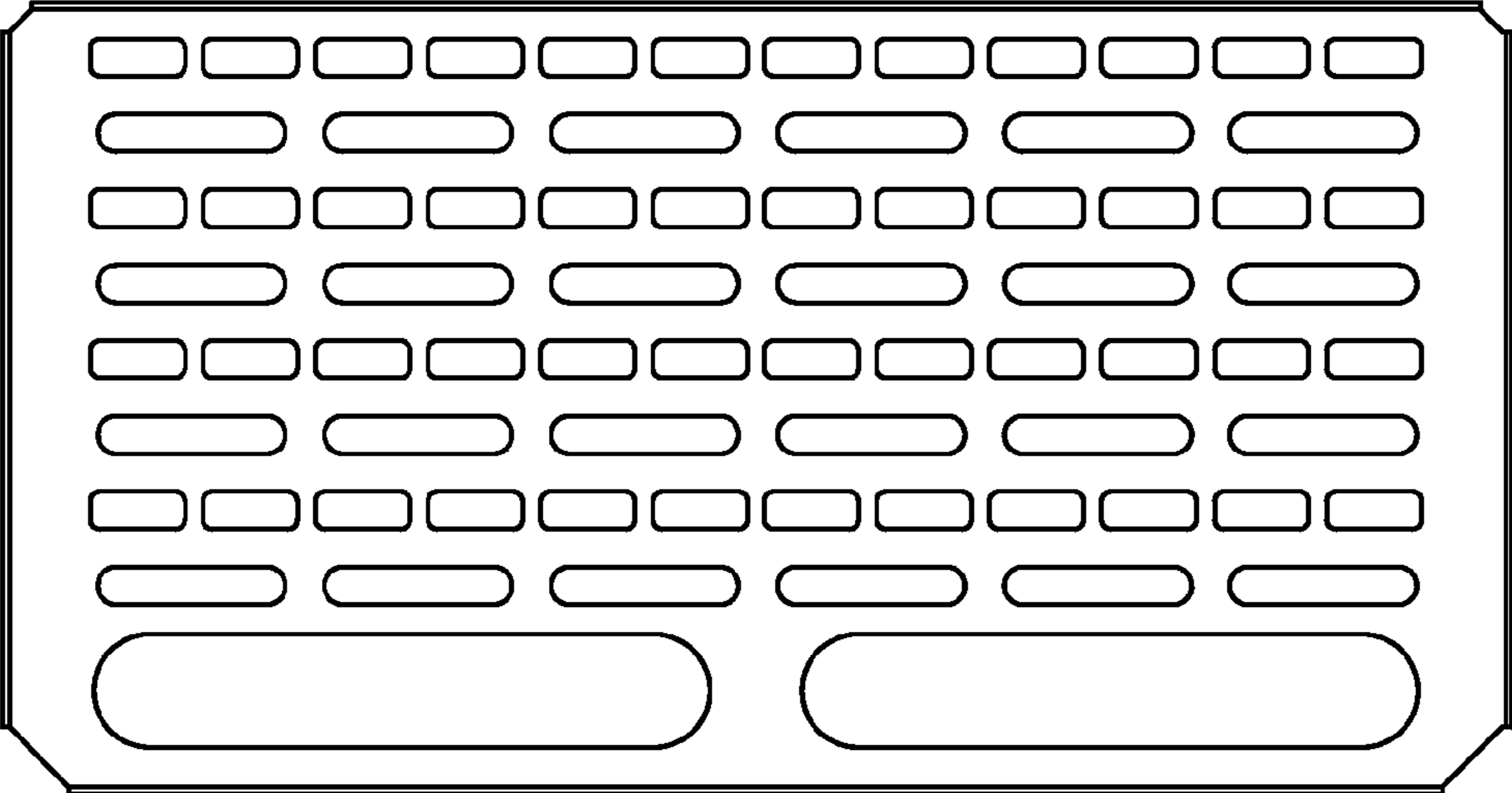
*Fig. 1*



*Fig. 2*



*Fig. 3*



*Fig. 4*