



US00D678166S

(12) **United States Design Patent**
Morton Maskell

(10) **Patent No.:** **US D678,166 S**
(45) **Date of Patent:** **** Mar. 19, 2013**

(54) **ROWLOCK**

(76) Inventor: **Richard Antony Morton Maskell,**
Plymouth (GB)

(**) Term: **14 Years**

(21) Appl. No.: **29/395,547**

(22) Filed: **Feb. 14, 2012**

(30) **Foreign Application Priority Data**

Aug. 24, 2011 (EM) 001907759-0001

(51) **LOC (9) Cl.** **12-06**

(52) **U.S. Cl.** **D12/215; D12/317**

(58) **Field of Classification Search** D12/215,
D12/300, 317; 416/74; 114/343, 364; 440/104,
440/105, 106, 107, 108, 109, 110

See application file for complete search history.

(56) **References Cited**

U.S. PATENT DOCUMENTS

48,975 A * 7/1865 Norcross 440/108
165,072 A * 6/1875 Davis 440/108
190,793 A * 5/1877 Spelman 440/107
262,108 A * 8/1882 Parker 440/108

287,155 A * 10/1883 Passeno 440/108
421,806 A * 2/1890 Bailey 440/106
524,171 A * 8/1894 Ish 440/106
868,378 A * 10/1907 Ward 440/108
1,097,330 A * 5/1914 Karle 440/106
2,154,018 A * 4/1939 Wagele 440/107
D306,996 S * 4/1990 Scott D12/215
6,183,325 B1 * 2/2001 Purser 440/106

FOREIGN PATENT DOCUMENTS

GB 2 141 984 A 9/1985

* cited by examiner

Primary Examiner — Caron D Veynar

Assistant Examiner — Martie K Holtje

(74) *Attorney, Agent, or Firm* — Ira S. Dorman

(57) **CLAIM**

The ornamental design for rowlock, as shown and described.

DESCRIPTION

FIG. 1 is a front elevation view of the rowlock embodying the present invention;

FIG. 2 is an opposite rear elevation view thereof;

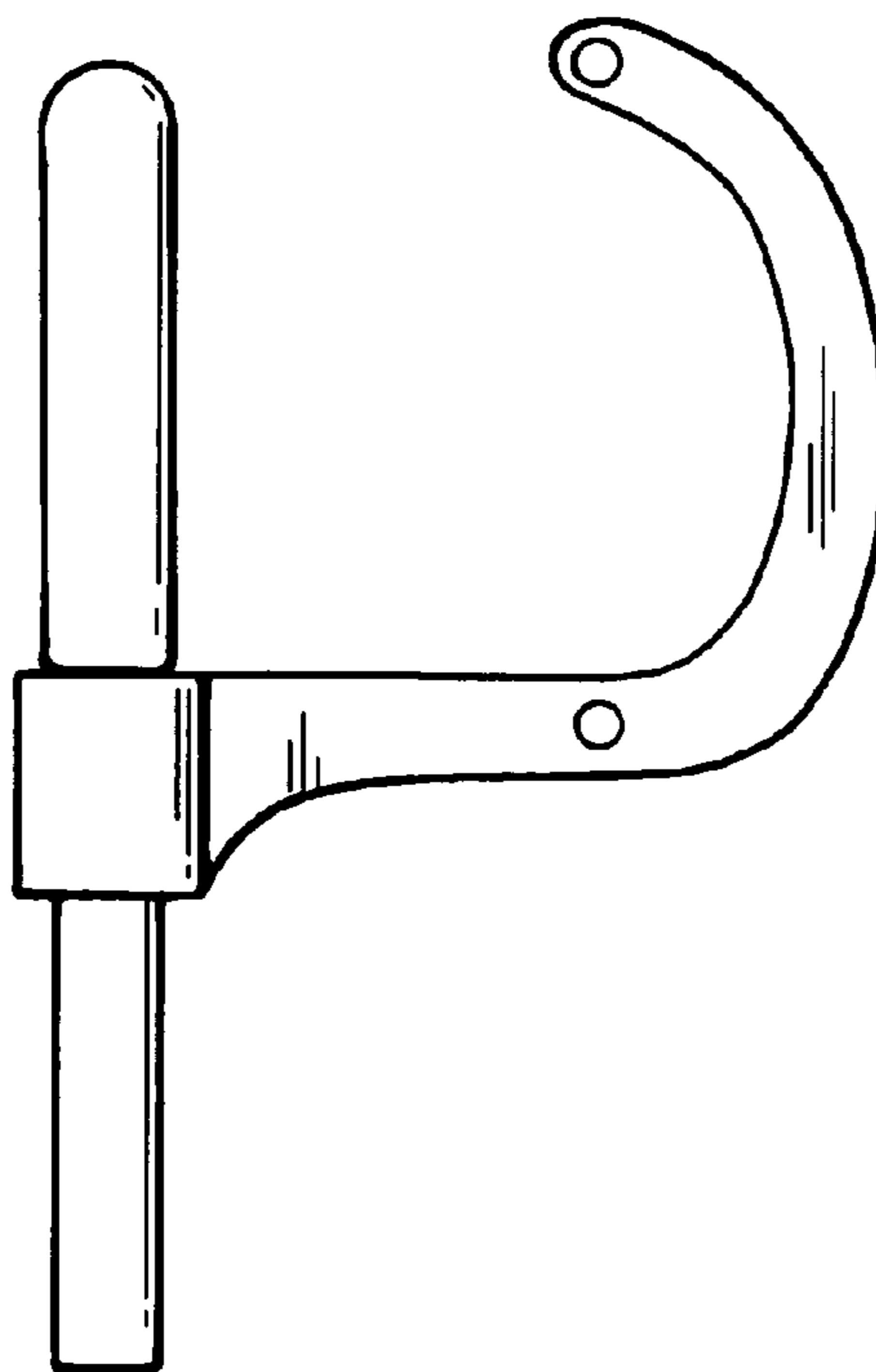
FIG. 3 is a side elevation view thereof;

FIG. 4 is an opposite side elevation view thereof;

FIG. 5 is a top plan view thereof; and,

FIG. 6 a bottom plan view thereof.

1 Claim, 2 Drawing Sheets



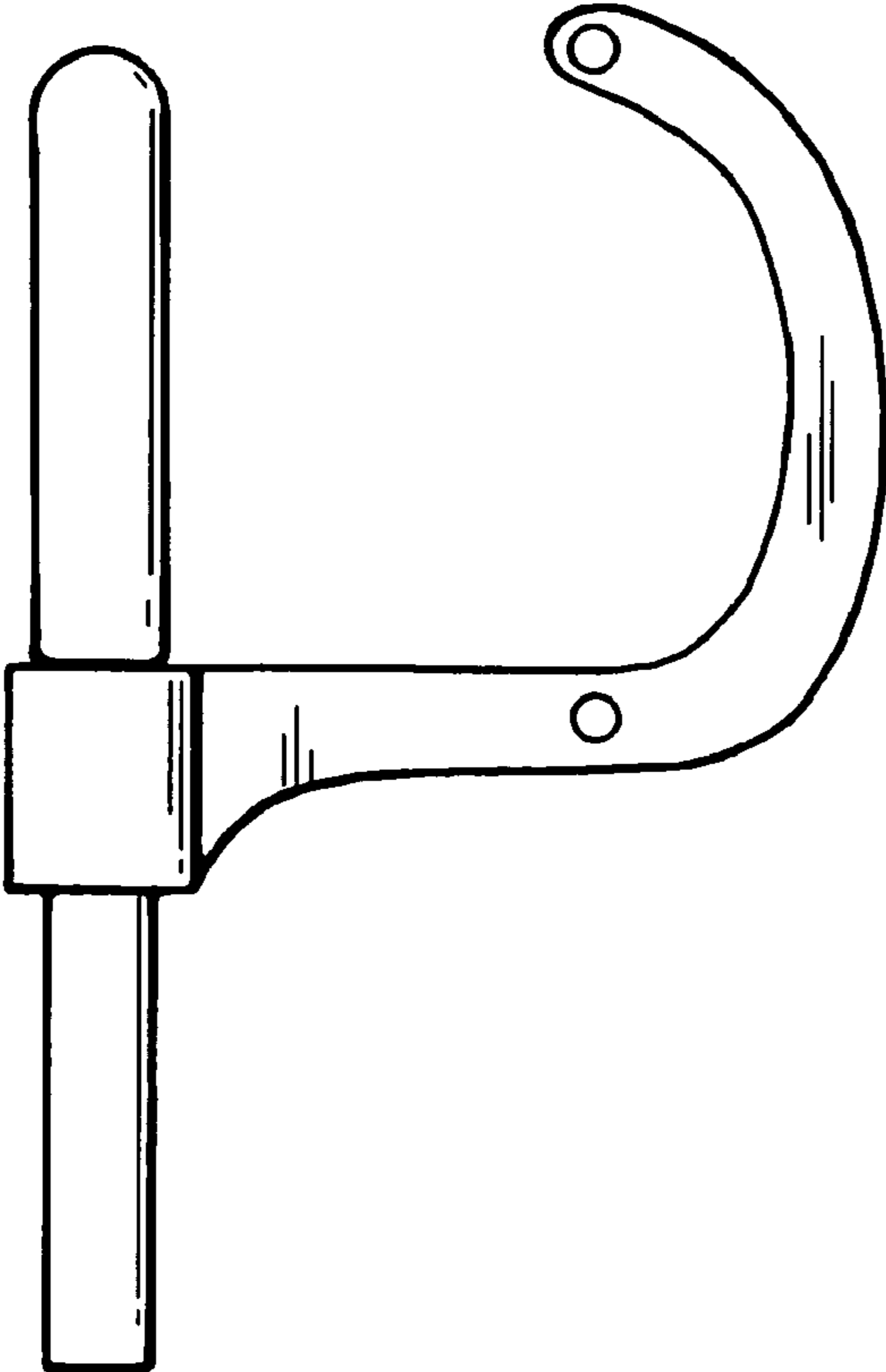


Fig. 1

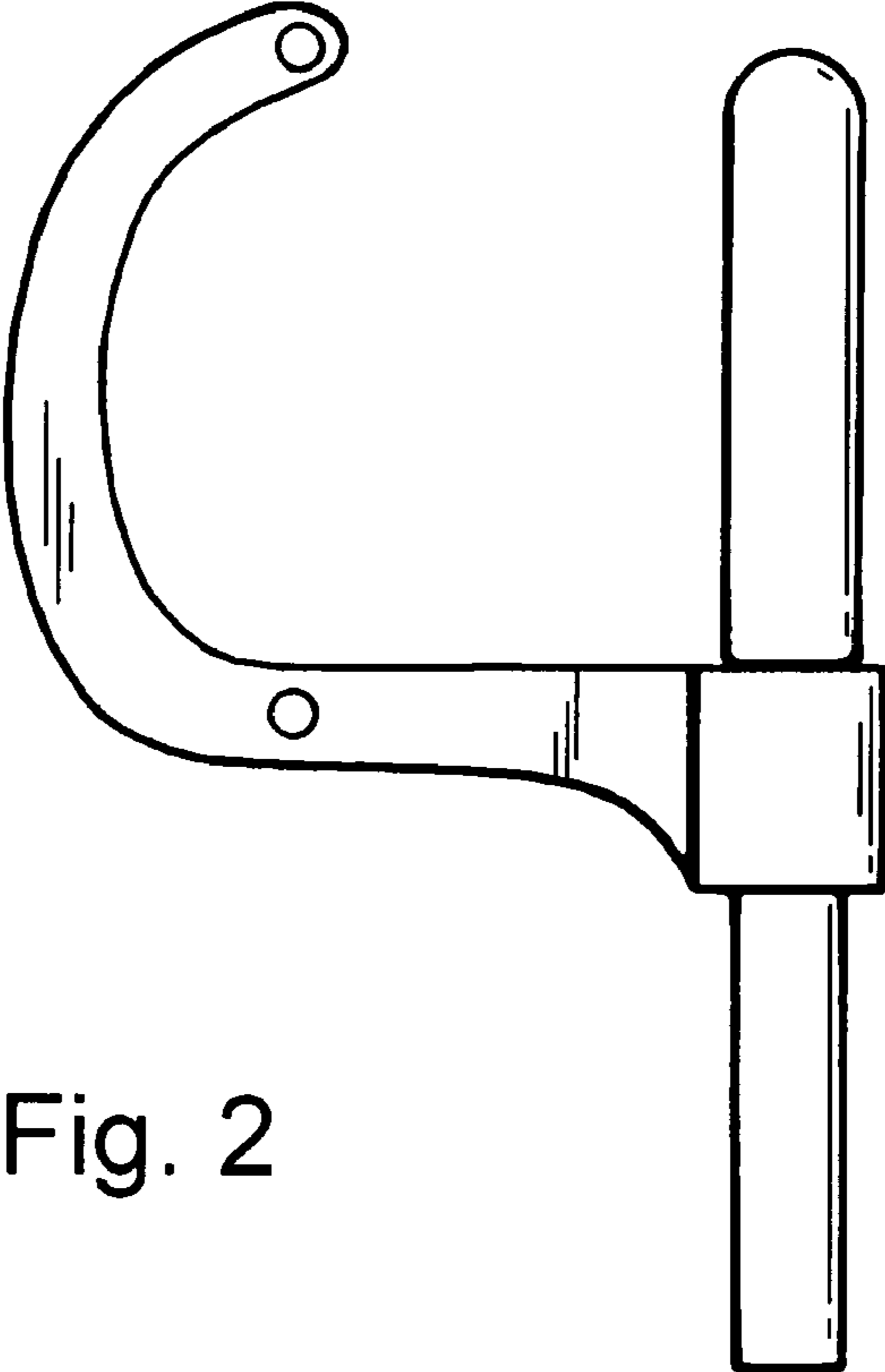


Fig. 2

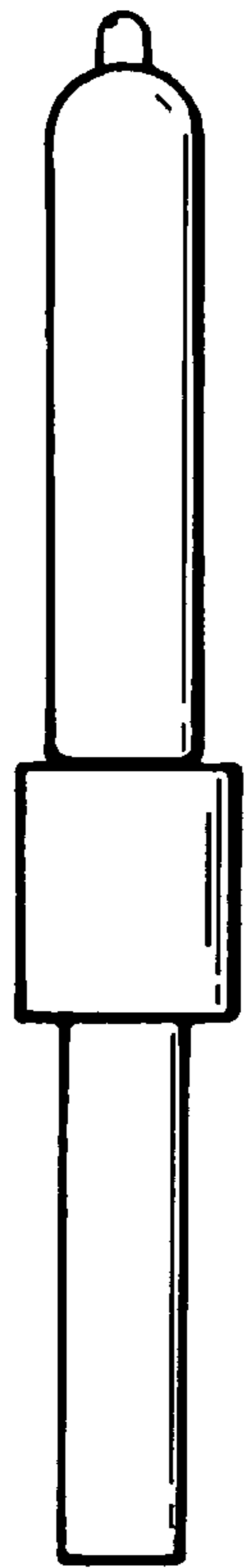


Fig. 3

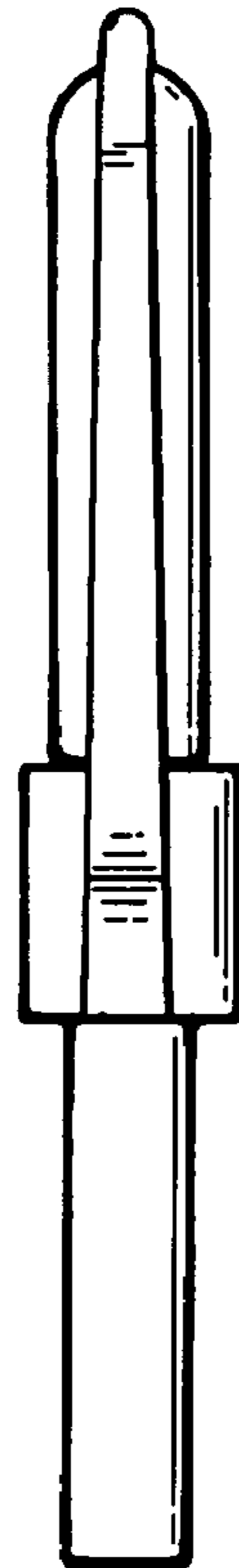


Fig. 4

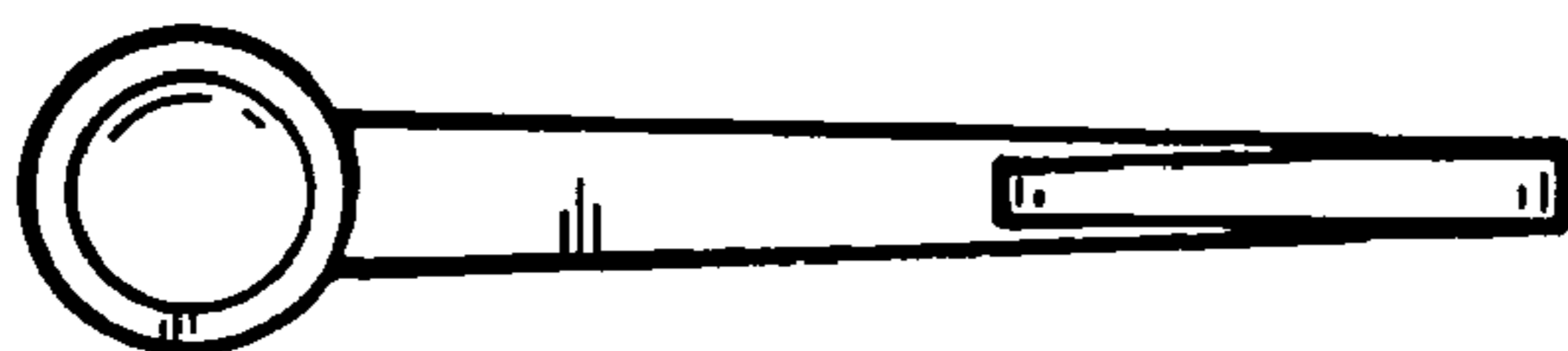


Fig. 5

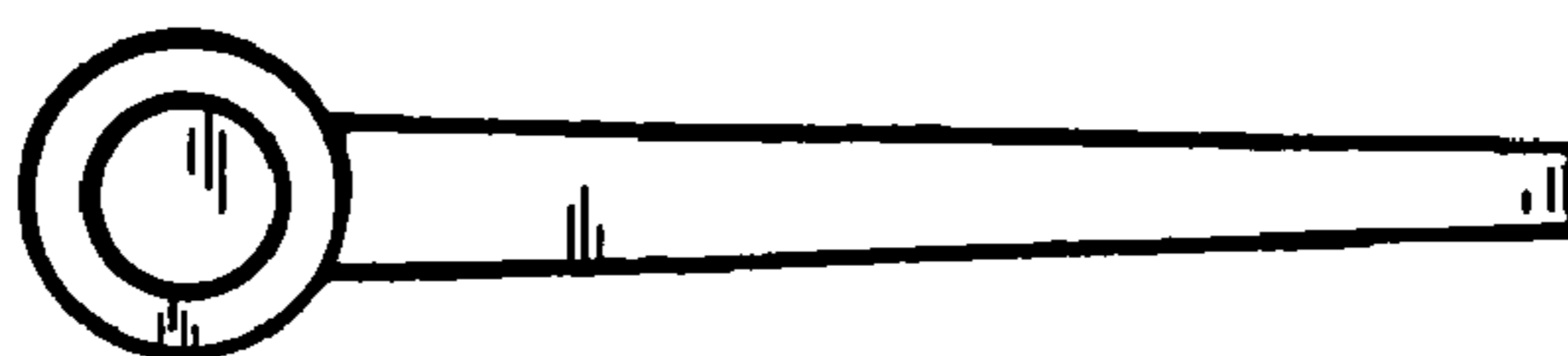


Fig. 6