



US00D678161S

(12) **United States Design Patent**
Claunch

(10) **Patent No.:** **US D678,161 S**

(45) **Date of Patent:** **** Mar. 19, 2013**

- (54) **VEHICLE-WHEEL FRONT FACE**
- (71) Applicant: **Mobile Hi-Tech Wheels**, Rancho Dominguez, CA (US)
- (72) Inventor: **Jeff E. Claunch**, Grass Valley, CA (US)
- (73) Assignee: **Mobile Hi-Tech Wheels**, Rancho Dominguez, CA (US)
- (**) Term: **14 Years**
- (21) Appl. No.: **29/436,294**
- (22) Filed: **Nov. 2, 2012**
- (51) **LOC (9) Cl.** **12-16**
- (52) **U.S. Cl.** **D12/209**
- (58) **Field of Classification Search** D12/204-213; 301/37.101, 64.101, 65, 64.201
See application file for complete search history.

- D625,238 S * 10/2010 Zhao D12/209
- D627,699 S * 11/2010 George et al. D12/209
- D631,419 S * 1/2011 Kim D12/209
- D655,658 S * 3/2012 Noone et al. D12/209

* cited by examiner

Primary Examiner — Stacia Cadmus

(74) *Attorney, Agent, or Firm* — Christie, Parker & Hale, LLP

(57) **CLAIM**

The ornamental design for vehicle-wheel front face, as shown and described.

DESCRIPTION

FIG. 1 is a perspective view of a vehicle-wheel front face according to my new design; FIG. 2 is a front elevational view thereof; and, FIG. 3 is a side elevational view thereof. The broken line showing of the rear of the wheel is included for the purpose of illustrating environment and forms no part of the claimed design.

(56) **References Cited**

U.S. PATENT DOCUMENTS

- D526,265 S * 8/2006 Muzzarelli D12/209
- D581,338 S * 11/2008 Imai D12/209

1 Claim, 3 Drawing Sheets

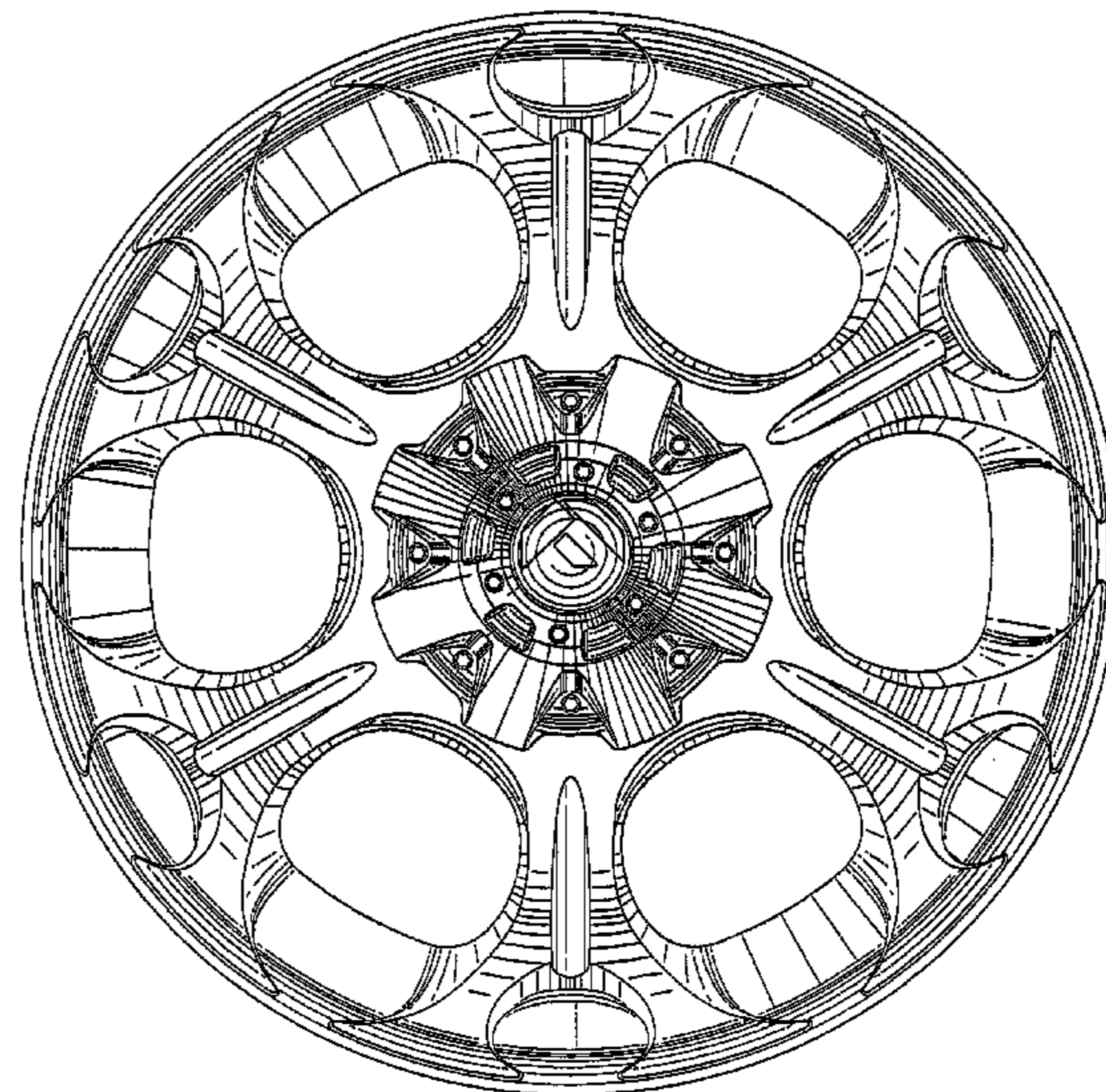
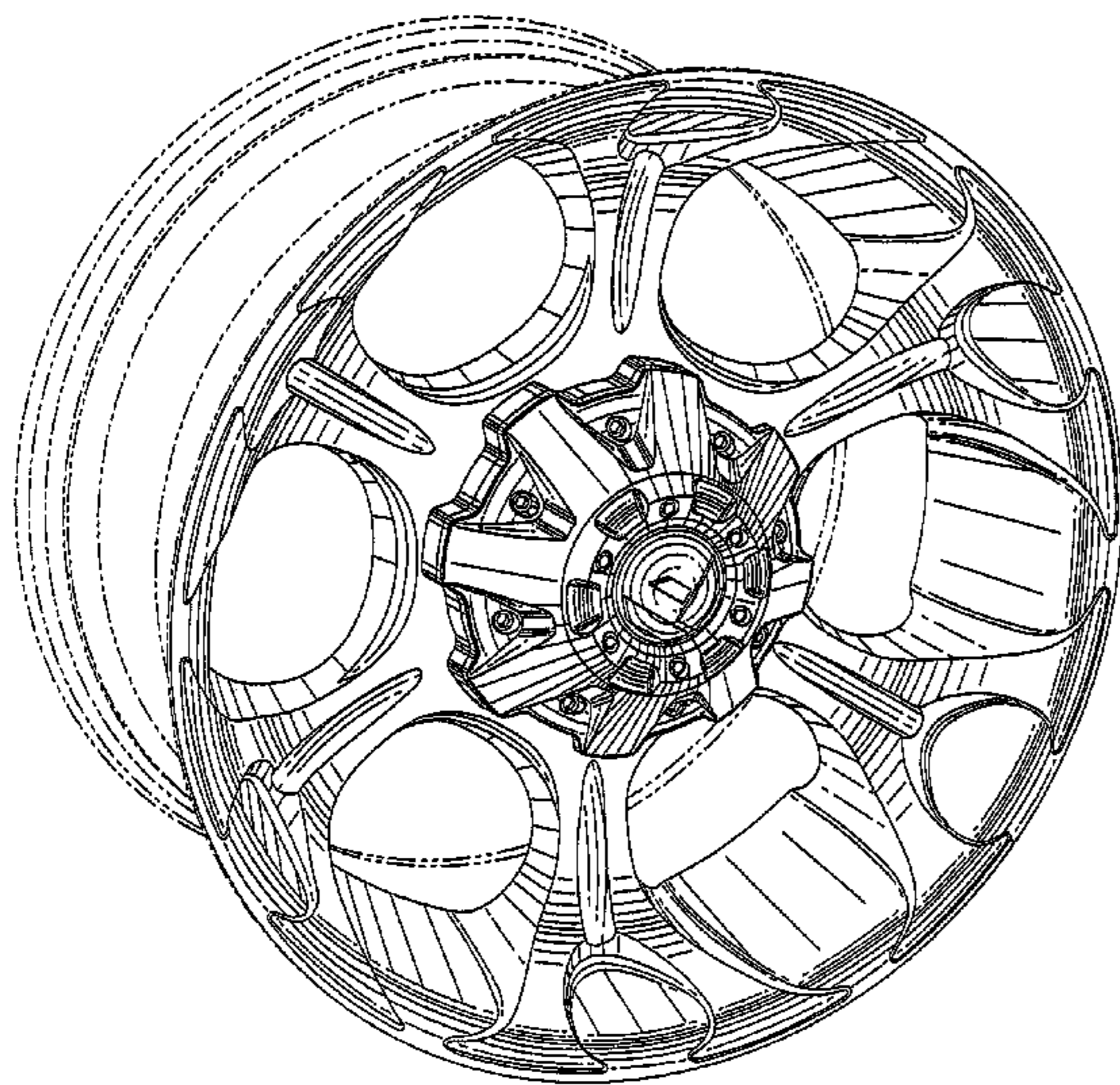


FIG. 1

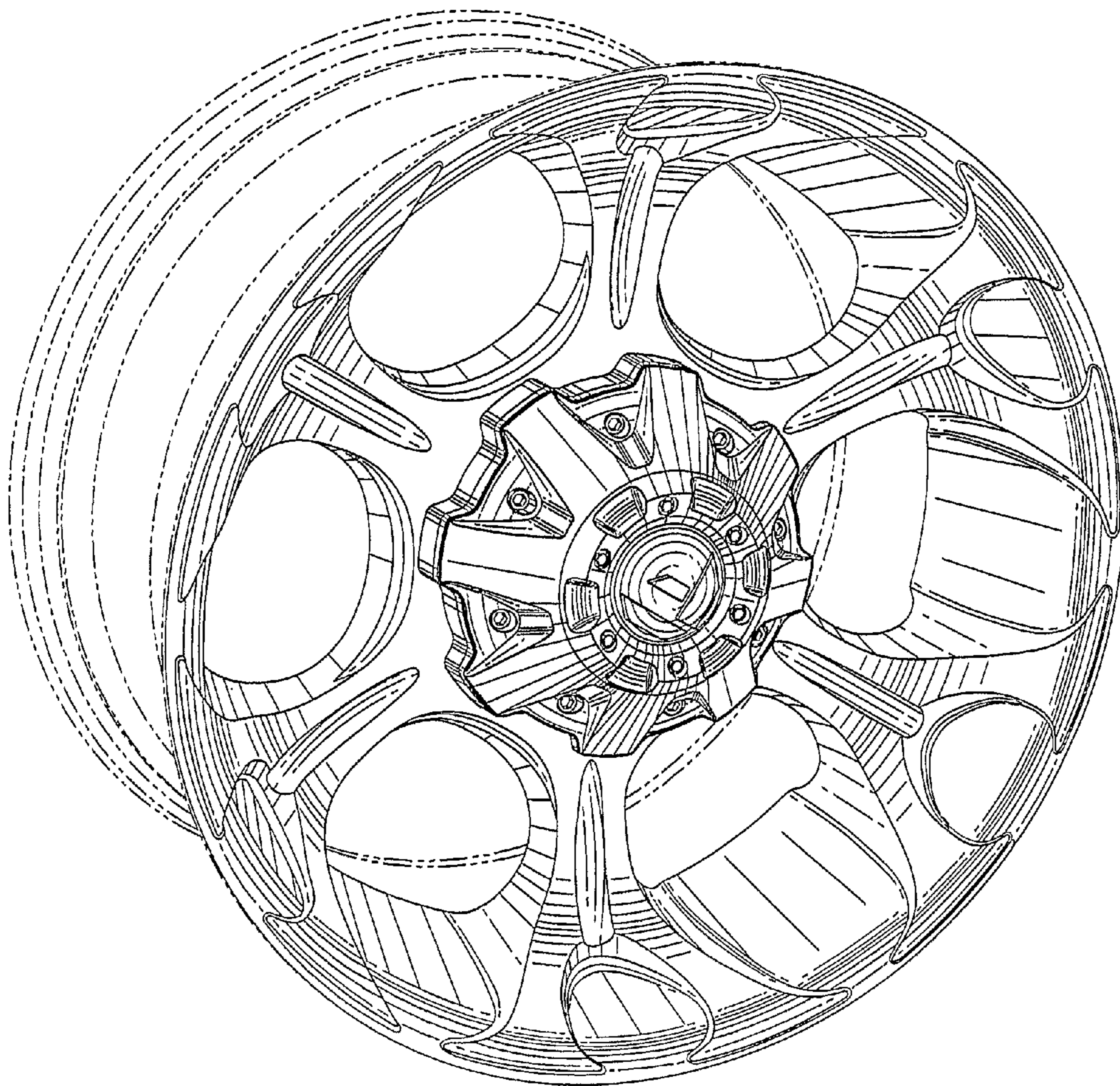


FIG. 2

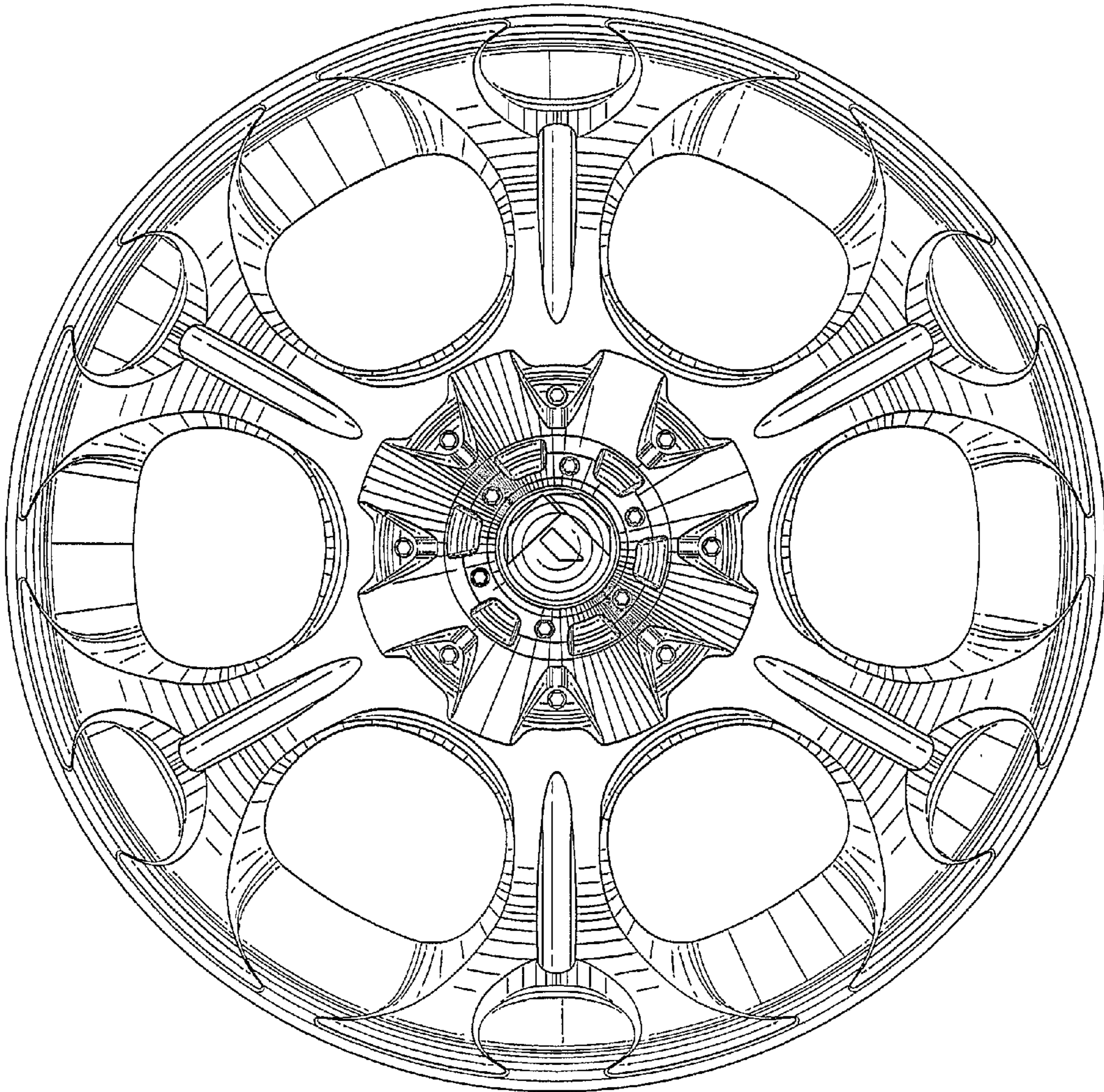


FIG. 3

