

US00D678154S

(12) **United States Design Patent**
Musk et al.

(10) **Patent No.:** **US D678,154 S**
(45) **Date of Patent:** **** Mar. 19, 2013**

(54) **VEHICLE DOOR**

(75) Inventors: **Elon Reeve Musk**, Los Angeles, CA (US); **Franz von Holzhausen**, Malibu, CA (US); **Bernard Lee**, Aliso Viejo, CA (US)

(73) Assignee: **Tesla Motors, Inc.**, Palo Alto, CA (US)

(**) Term: **14 Years**

(21) Appl. No.: **29/412,841**

(22) Filed: **Feb. 8, 2012**

(51) **LOC (9) Cl.** **12-16**

(52) **U.S. Cl.** **D12/196; D12/86; 296/146.9**

(58) **Field of Classification Search** D12/82,
D12/83, 85, 86, 88, 89, 90, 91, 93, 94, 196;
D21/424, 433, 434; 296/146.2, 146.5, 146.9,
296/181.1, 181.5

See application file for complete search history.

D631,398 S *	1/2011	Oda et al.	D12/91
D631,811 S *	2/2011	Schneider	D12/196
D633,839 S *	3/2011	Matei et al.	D12/196
D634,243 S *	3/2011	Frei et al.	D12/91
D642,093 S *	7/2011	Kubo et al.	D12/91
D645,388 S *	9/2011	Kumai et al.	D12/196
D653,187 S *	1/2012	Tomatsu et al.	D12/196
8,104,822 B2 *	1/2012	Kriese et al.	296/138
D654,418 S *	2/2012	Hakamata et al.	D12/196
D654,419 S *	2/2012	Tomatsu et al.	D12/196
D657,295 S *	4/2012	Fetherston et al.	D12/196
8,210,600 B1 *	7/2012	Verhee et al.	296/180.1
D671,471 S *	11/2012	Yamada et al.	D12/196

* cited by examiner

Primary Examiner — Philip S Hyder

Assistant Examiner — John T Applewhite

(74) *Attorney, Agent, or Firm* — Patent Law Office of David G. Beck

(57) **CLAIM**

The ornamental design for a vehicle door, as shown and described.

(56) **References Cited**

U.S. PATENT DOCUMENTS

D418,471 S *	1/2000	Gabath	D12/196
D432,051 S *	10/2000	Lee et al.	D12/92
D467,849 S *	12/2002	Murkett	D12/196
D491,860 S *	6/2004	Velazco	D12/196
D511,129 S *	11/2005	Nagashima	D12/196
D525,910 S *	8/2006	Sugiura et al.	D12/91
D542,178 S *	5/2007	Moushegian	D12/91
D558,112 S *	12/2007	Leclercq	D12/196
D573,522 S *	7/2008	Sato et al.	D12/196
D580,331 S *	11/2008	Gueler et al.	D12/196
D583,289 S *	12/2008	Leclercq	D12/196
D617,682 S *	6/2010	Frei et al.	D12/91
D619,500 S *	7/2010	Hsu et al.	D12/91
D620,861 S *	8/2010	Froehlich	D12/196
D621,764 S *	8/2010	Huet	D12/196

DESCRIPTION

FIG. 1 is a perspective view of a vehicle door mounted and in a closed position;

FIG. 2 is an alternate perspective view with the vehicle door mounted and in an opened position;

FIG. 3 is a side elevational view thereof;

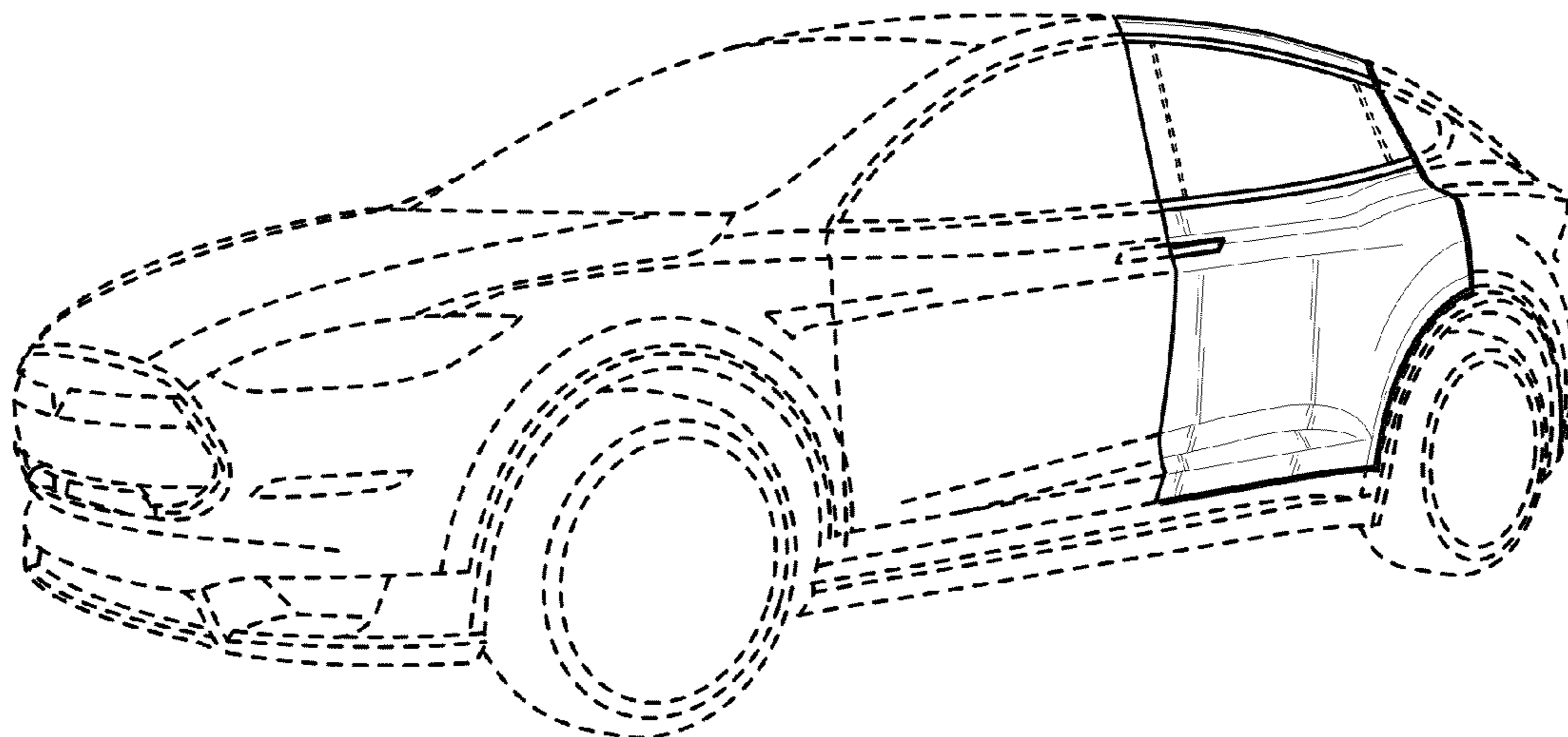
FIG. 4 is a front elevational view thereof;

FIG. 5 is a rear elevational view thereof; and,

FIG. 6 is a top elevational view thereof.

The dashed broken lines illustrate environmental structure that forms no part of the claimed design. The dot dash broken line illustrates a boundary between the claimed and unclaimed structure.

1 Claim, 6 Drawing Sheets



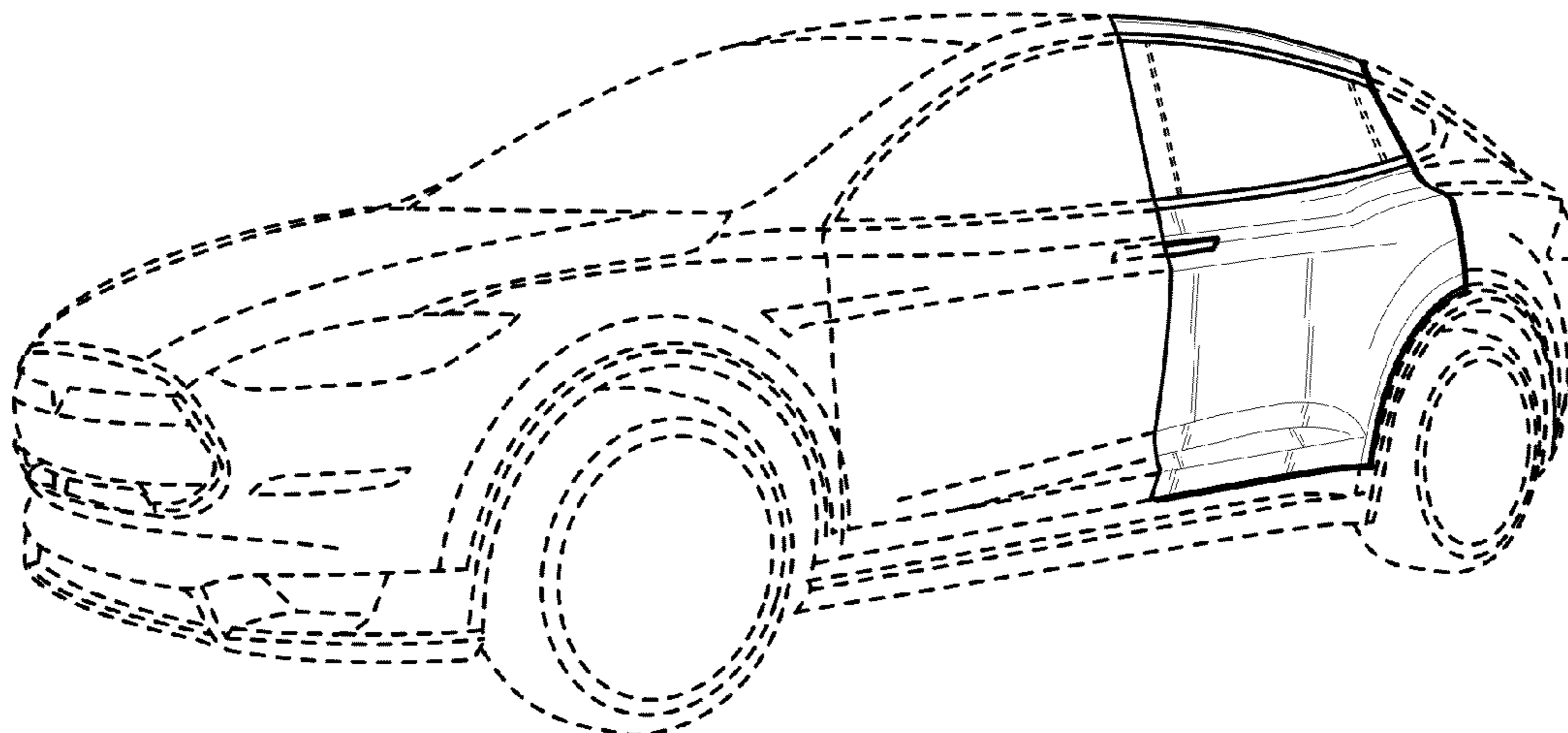


FIG. 1

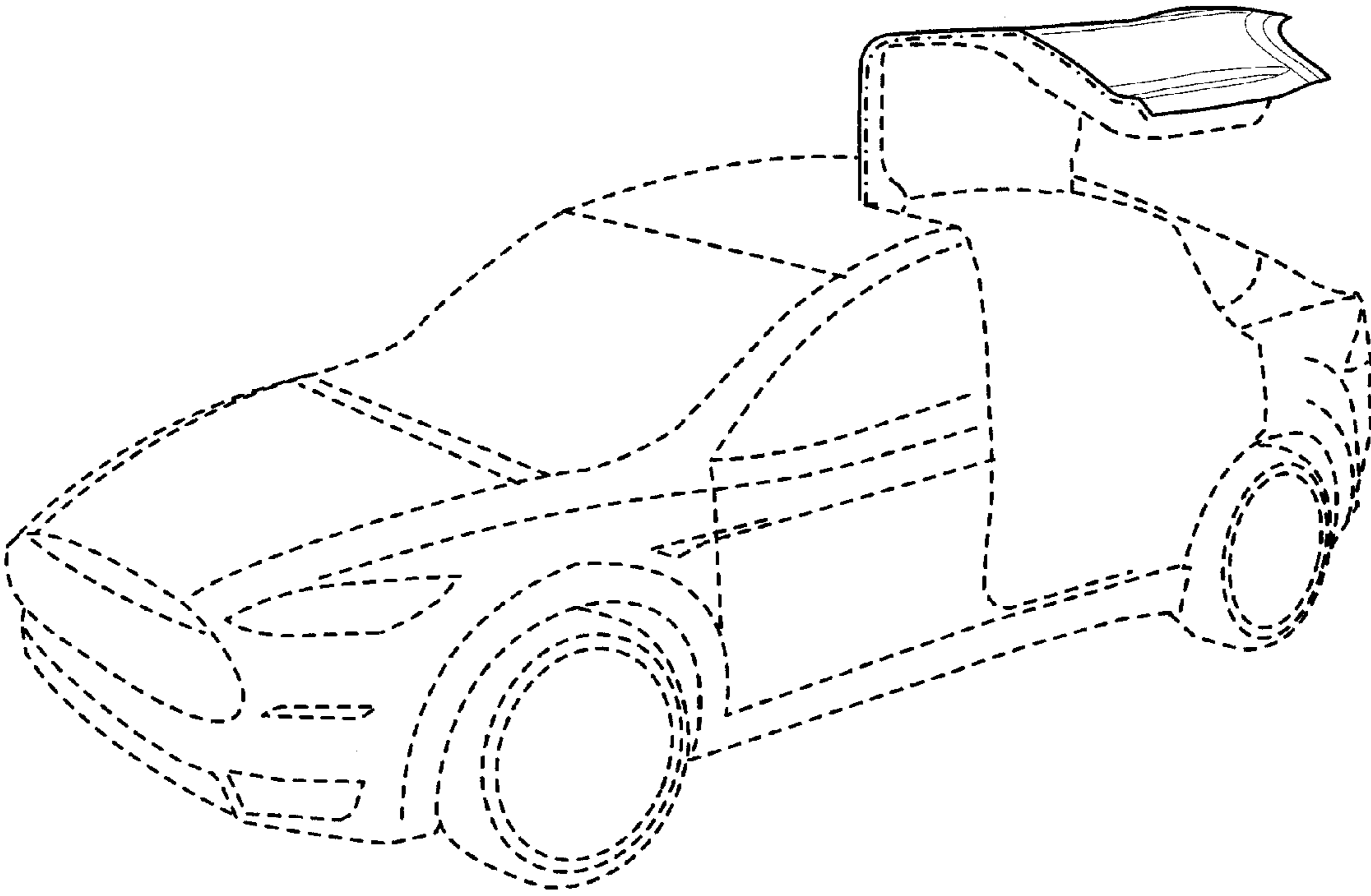


FIG. 2

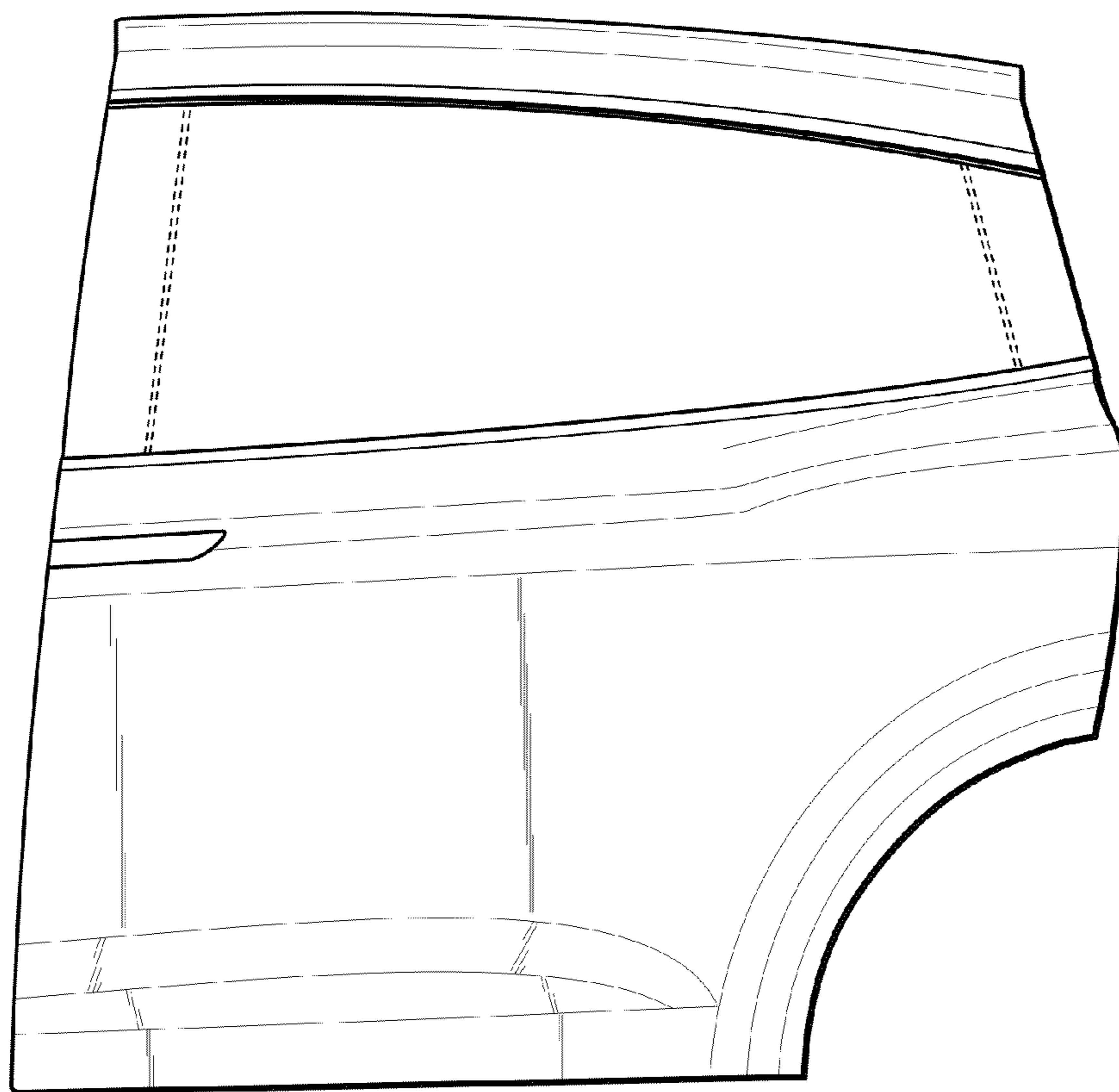


FIG. 3

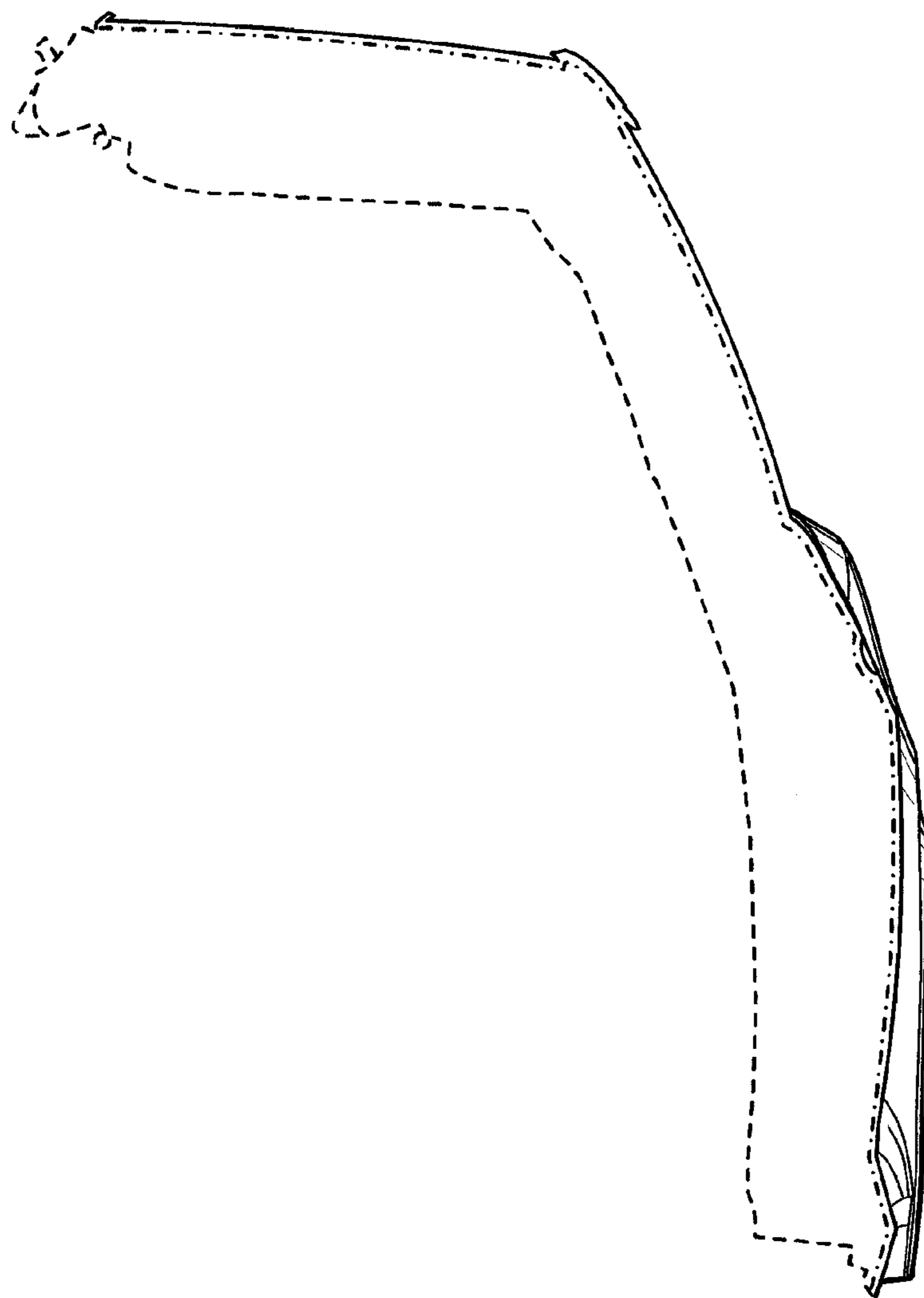


FIG. 4

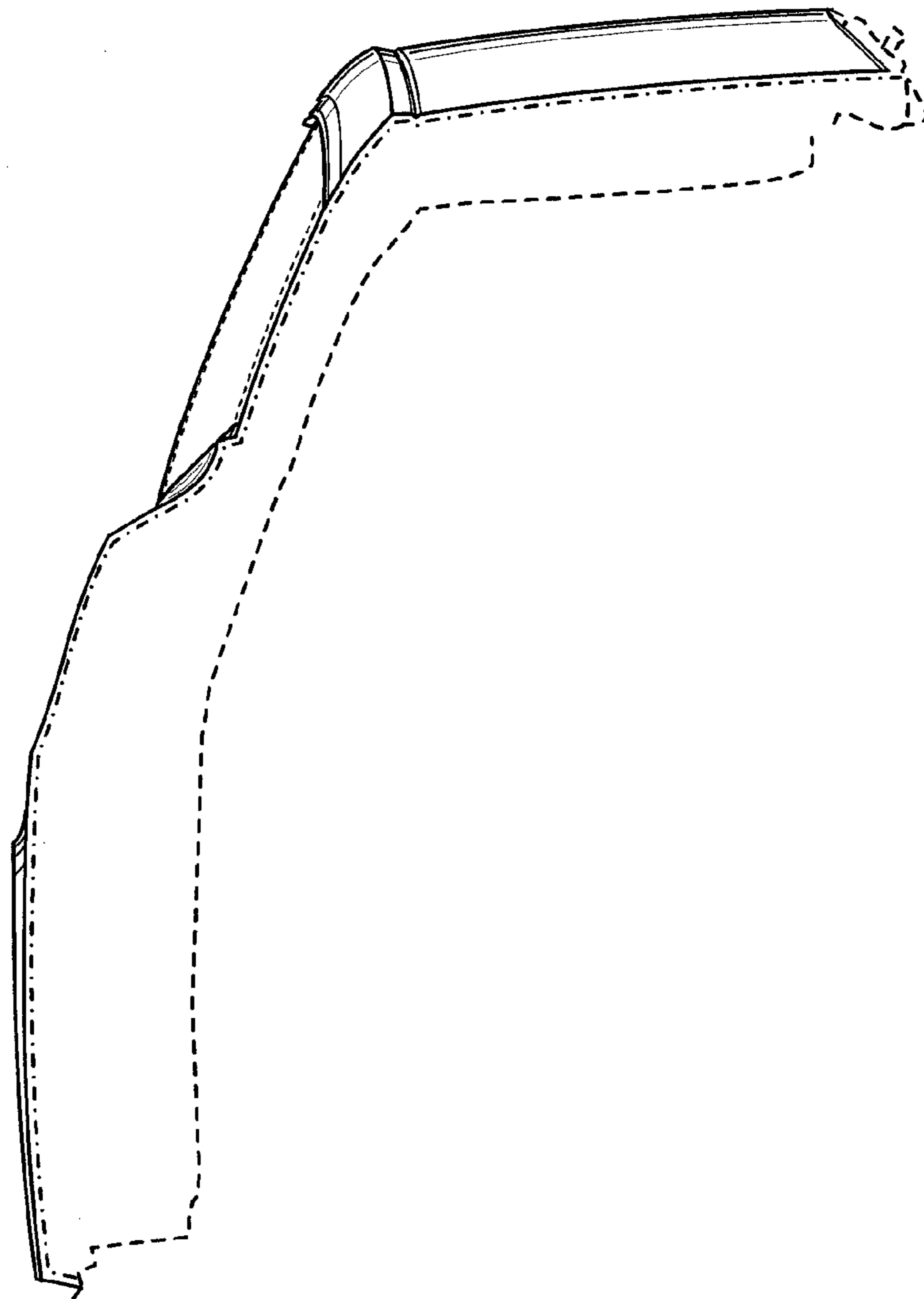


FIG. 5

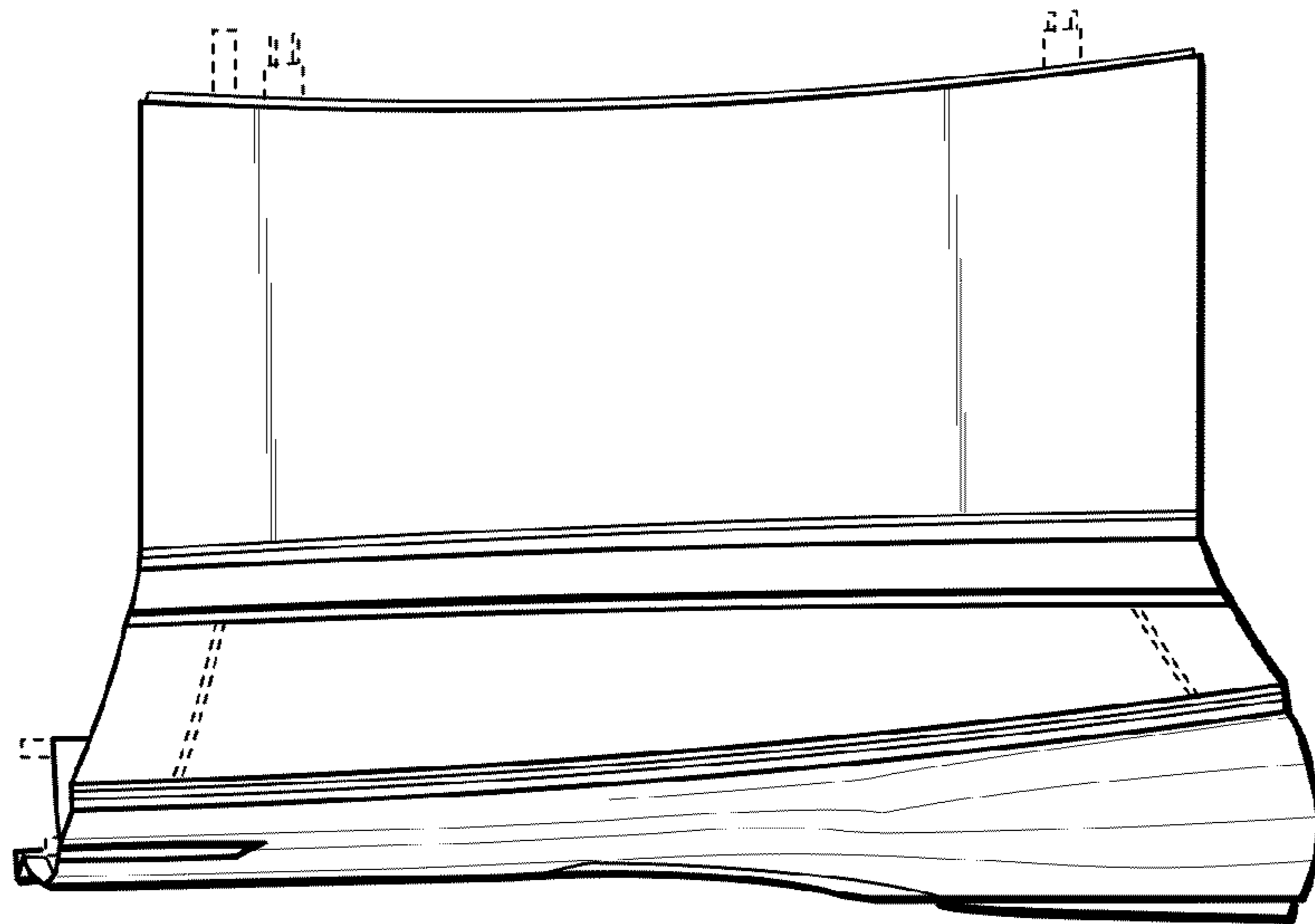


FIG. 6