



US00D678152S

(12) **United States Design Patent**
Behmer et al.

(10) **Patent No.:** **US D678,152 S**
(45) **Date of Patent:** **** Mar. 19, 2013**

(54) **VEHICLE HOOD VENT**

(75) Inventors: **Darrell Paul Behmer**, Novi, MI (US);
Melvin Betancourt, Shelby Township,
MI (US); **Garen Nicoghosian**,
Bloomfield Hills, MI (US)

(73) Assignee: **Ford Motor Company**, Dearborn, MI
(US)

(**) Term: **14 Years**

(21) Appl. No.: **29/406,123**

(22) Filed: **Nov. 10, 2011**

(51) **LOC (9) Cl.** **12-16**

(52) **U.S. Cl.** **D12/173**

(58) **Field of Classification Search** D12/173,
D12/196, 86, 90-92, 181; 180/69.21, 69.2,
180/69.22

See application file for complete search history.

(56) **References Cited**

U.S. PATENT DOCUMENTS

D463,335 S *	9/2002	Hoyle, Jr.	D12/173
D471,495 S *	3/2003	Hoyle, Jr.	D12/173
D475,332 S *	6/2003	Chiang	D12/173
D478,301 S *	8/2003	Chiang	D12/173
D510,305 S *	10/2005	Chiang	D12/173
D575,206 S *	8/2008	Shelby	D12/173

D575,208 S *	8/2008	Shelby	D12/173
D598,345 S *	8/2009	Juraschek	D12/181
D640,959 S *	7/2011	Furst	D12/173

OTHER PUBLICATIONS

All About Cars and Trucks, Aug. 17, 2011, 2013 Ford Mustang Spy Photos.

Motorauthority, Jun. 19, 2011, 2013 Ford Mustang Shelby GT500 spy shots.

* cited by examiner

Primary Examiner — Melody N Brown

(74) *Attorney, Agent, or Firm* — Damian Porcari

(57) **CLAIM**

The ornamental design for a vehicle hood vent, as shown and described.

DESCRIPTION

FIG. 1 is a left side elevational view of a left vehicle hood vent (the right vehicle hood vent being a mirror image and is not shown);

FIG. 2 is a right side elevational view of the vehicle hood vent;

FIG. 3 is a front elevational view of the vehicle hood vent;

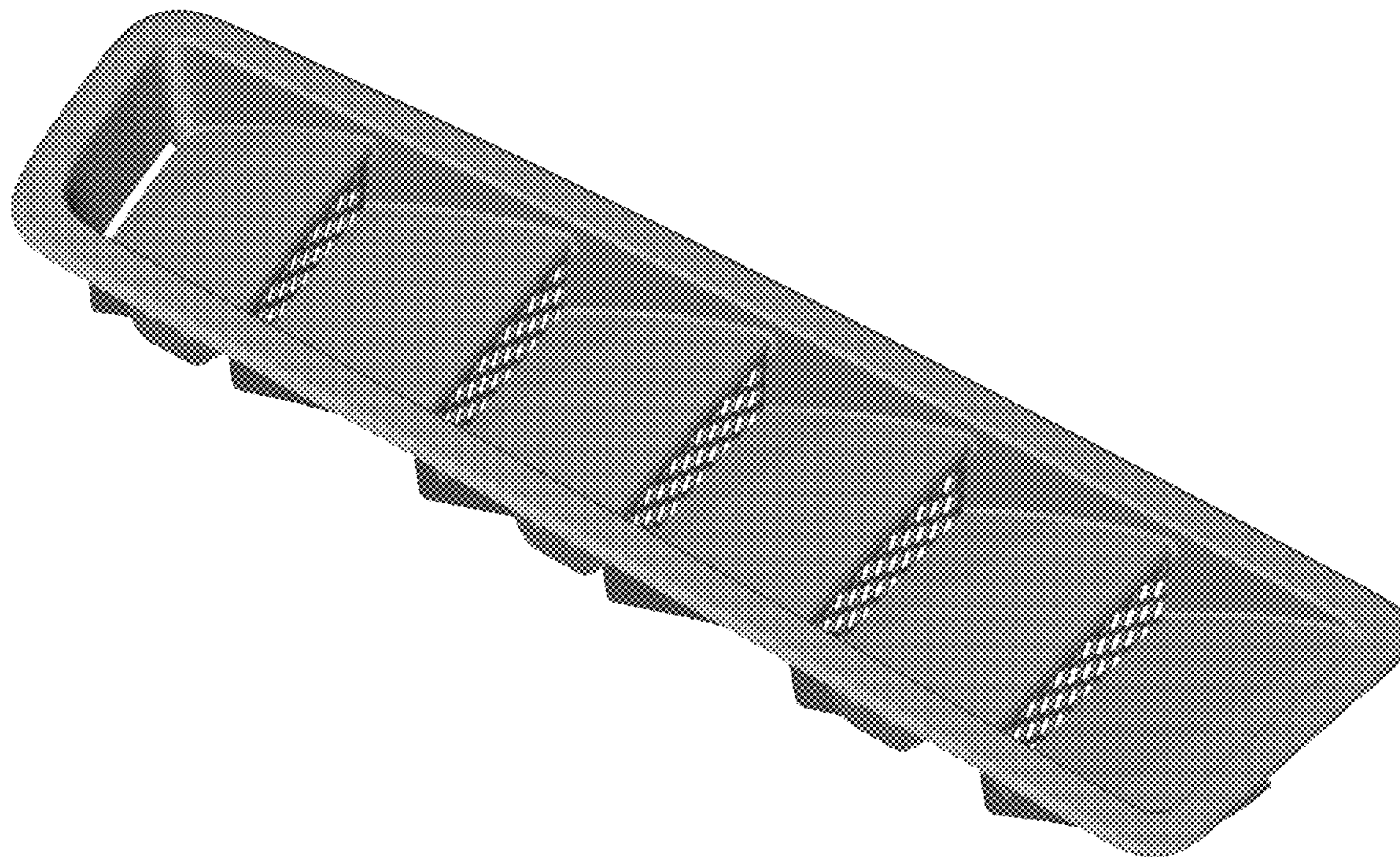
FIG. 4 is a top plan view of the vehicle hood vent;

FIG. 5 is a bottom plan view of the vehicle hood vent;

FIG. 6 is a perspective view of the vehicle hood vent; and,

FIG. 7 is another perspective view of the vehicle hood vent.

1 Claim, 7 Drawing Sheets



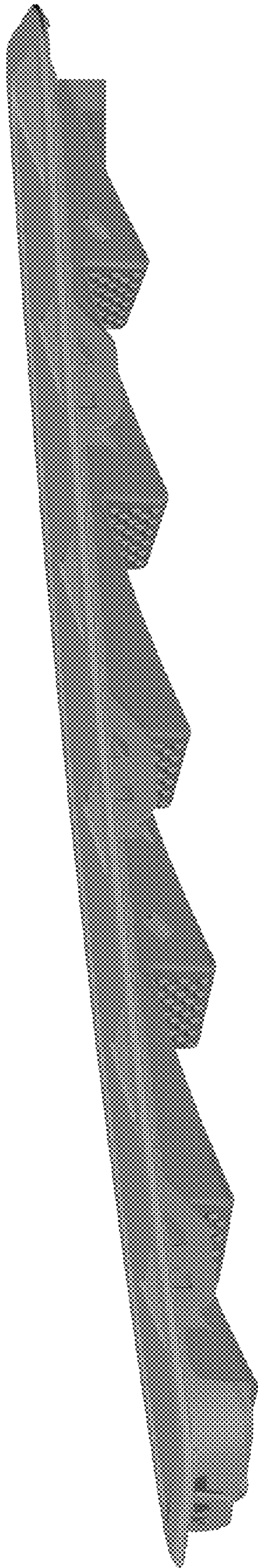


Figure 1

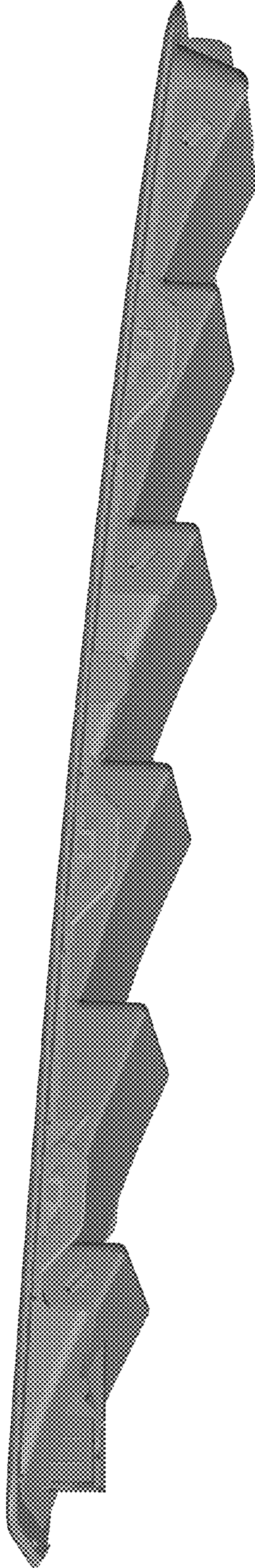


Figure 2



Figure 3

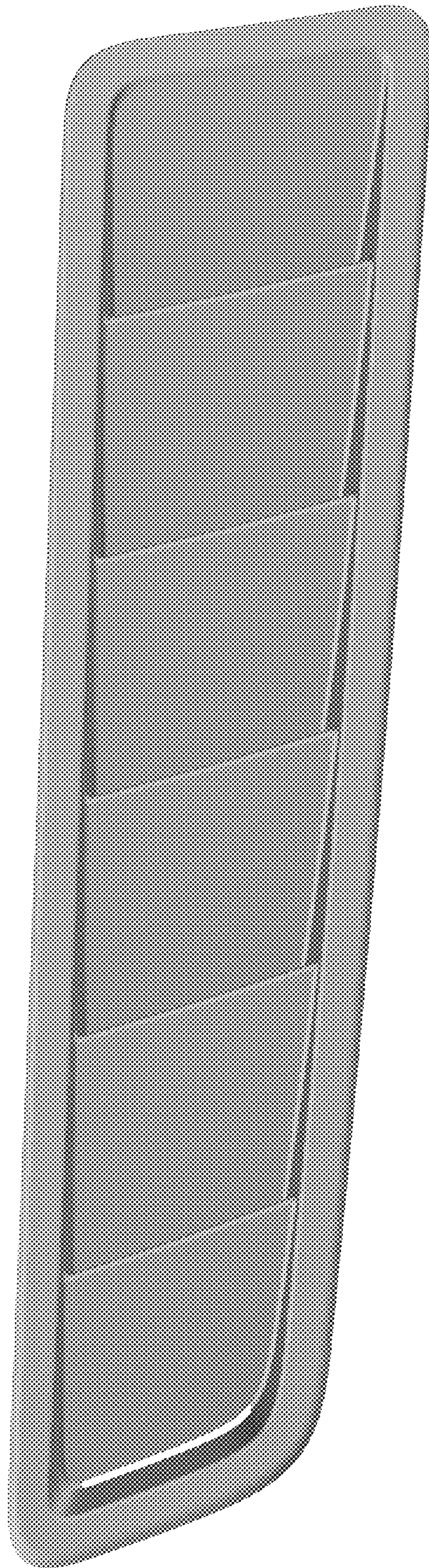


Figure 4

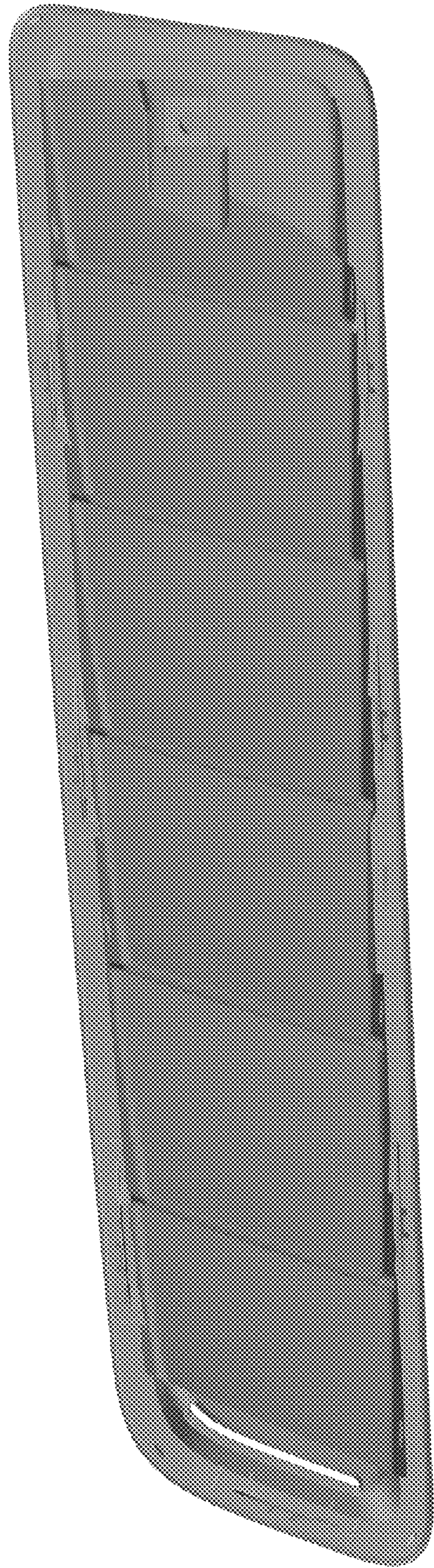


Figure 5

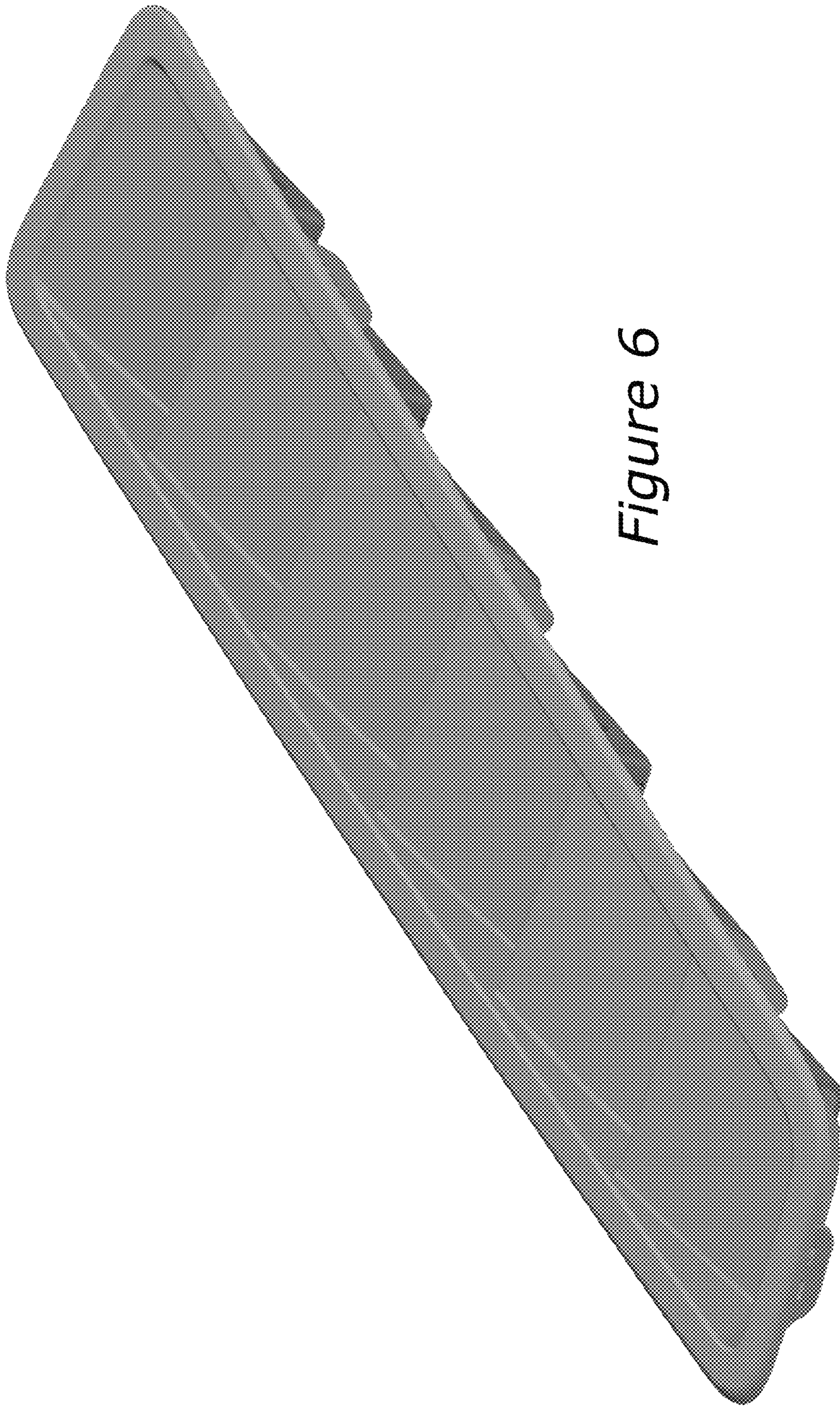


Figure 6

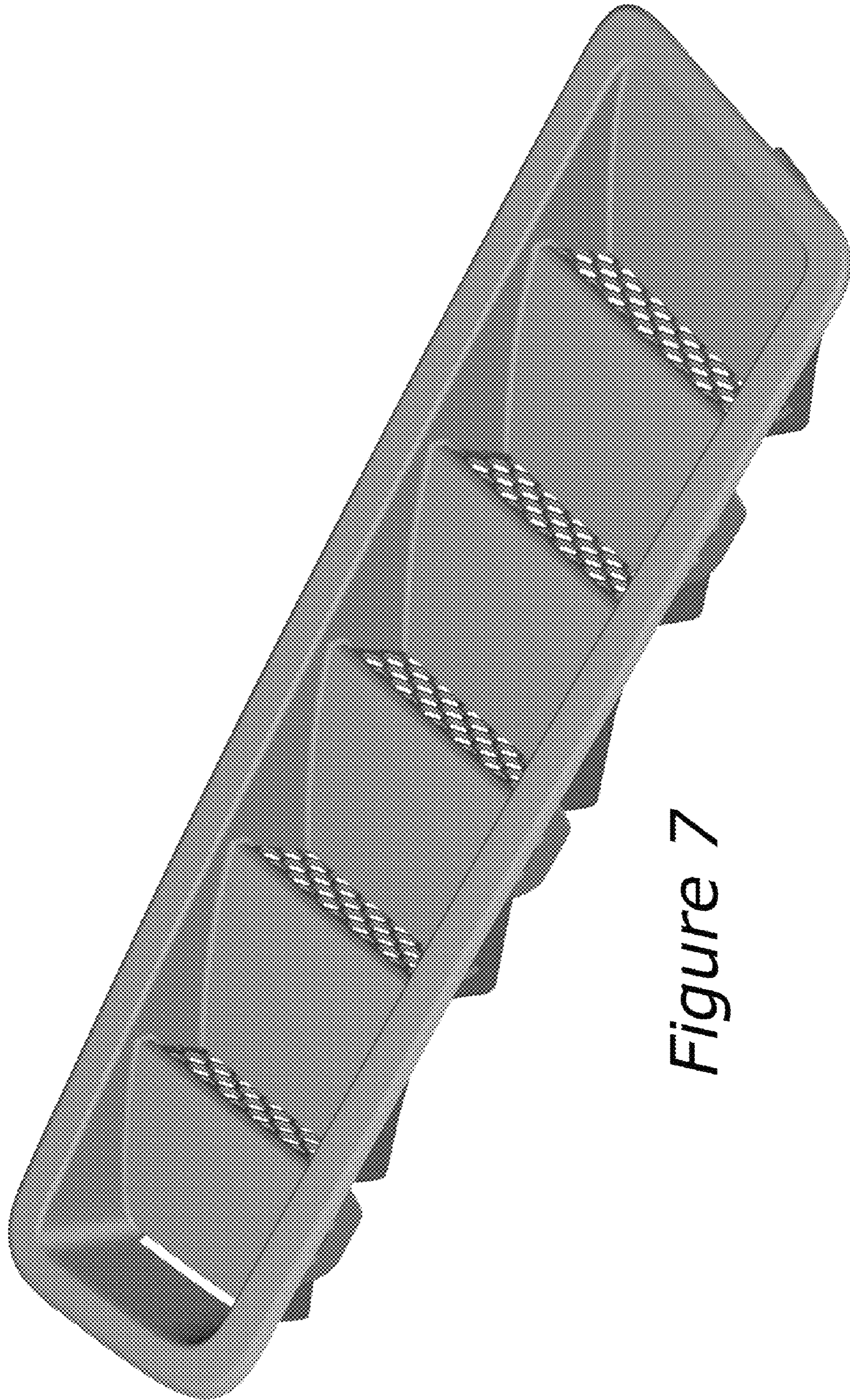


Figure 7