



US00D678151S

(12) **United States Design Patent**
Behmer et al.

(10) **Patent No.:** **US D678,151 S**
(45) **Date of Patent:** **** Mar. 19, 2013**

(54) **VEHICLE HOOD**

(75) Inventors: **Darrell Paul Behmer**, Novi, MI (US);
Melvin Betancourt, Shelby Township,
MI (US); **Garen Nicoghosian**,
Bloomfield Hills, MI (US)

(73) Assignee: **Ford Motor Company**, Dearborn, MI
(US)

(**) Term: **14 Years**

(21) Appl. No.: **29/406,122**

(22) Filed: **Nov. 10, 2011**

(51) **LOC (9) Cl.** **12-16**

(52) **U.S. Cl.** **D12/173**

(58) **Field of Classification Search** D12/173,
D12/196, 86, 90-92; 180/69.21, 69.2, 69.22
See application file for complete search history.

(56) **References Cited**

U.S. PATENT DOCUMENTS

D510,551 S 10/2005 Mays et al.
D520,418 S * 5/2006 Platto et al. D12/173
D579,832 S * 11/2008 Opfer et al. D12/173
D583,731 S 12/2008 Saridakis et al.
D589,845 S * 4/2009 Shamenkov et al. D12/92

D597,003 S * 7/2009 Yamazaki et al. D12/173
D605,991 S * 12/2009 Williams et al. D12/173
D606,466 S * 12/2009 Larson D12/173
D609,144 S * 2/2010 Takayama D12/173
D609,145 S * 2/2010 Leone D12/173

OTHER PUBLICATIONS

All About Cars and Trucks, Aug. 17, 2011, 2013 Ford Mustang Spy
Photos.

Motorauthority, Jun. 19, 2011, 2013 Ford Mustang Shelby GT500
spy shots.

* cited by examiner

Primary Examiner — Melody N Brown

(74) *Attorney, Agent, or Firm* — Damian Porcari

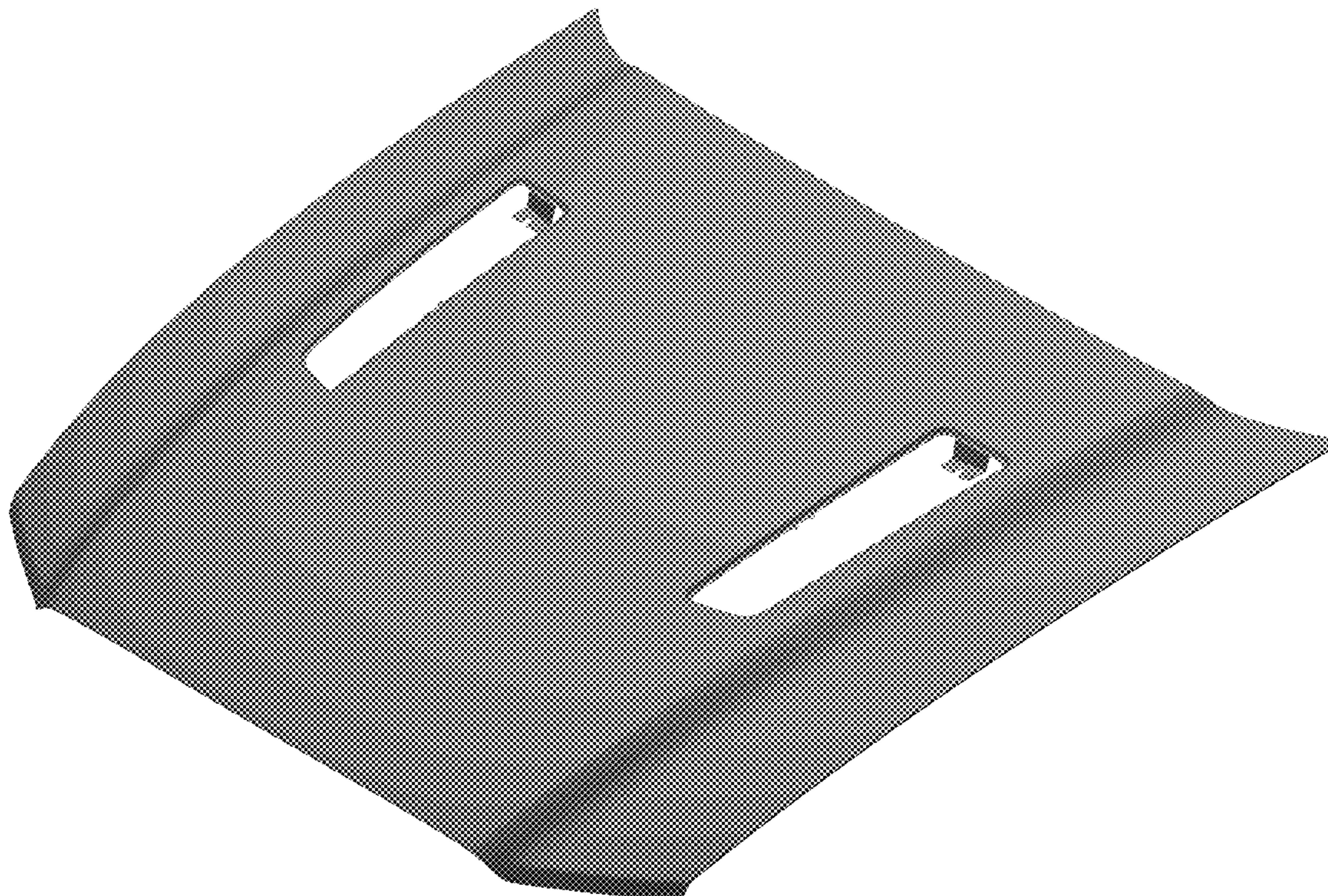
(57) **CLAIM**

The ornamental design for a vehicle hood, as shown and
described.

DESCRIPTION

FIG. 1 is a top plan view of a vehicle hood;
FIG. 2 is a bottom plan view of the vehicle hood;
FIG. 3 is a front elevational view of the vehicle hood;
FIG. 4 is a left side elevational view of the vehicle hood;
FIG. 5 is a right side elevational view of the vehicle hood;
FIG. 6 is a perspective view of the vehicle hood; and,
FIG. 7 is another perspective view of the vehicle hood.

1 Claim, 7 Drawing Sheets



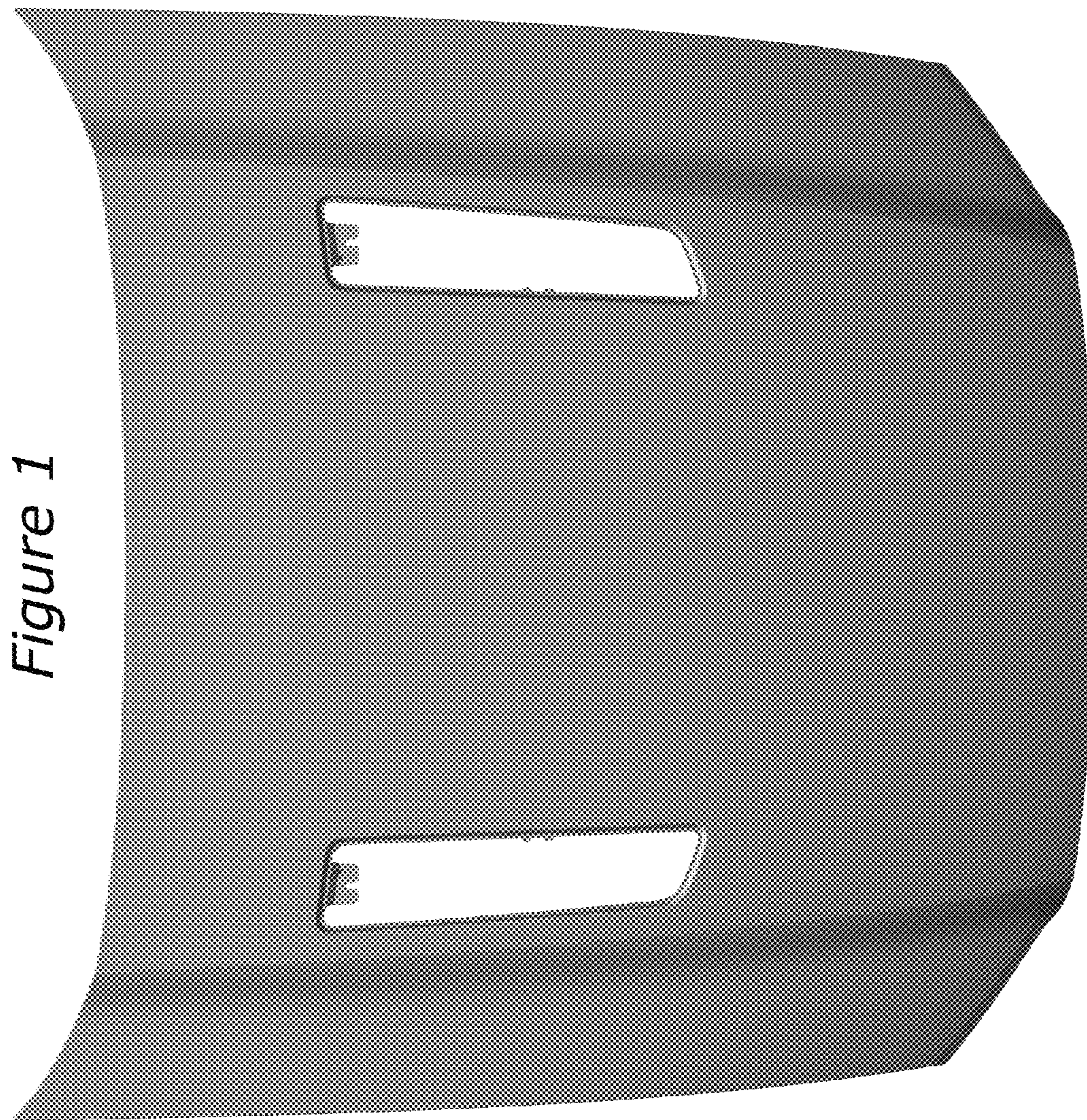


Figure 1

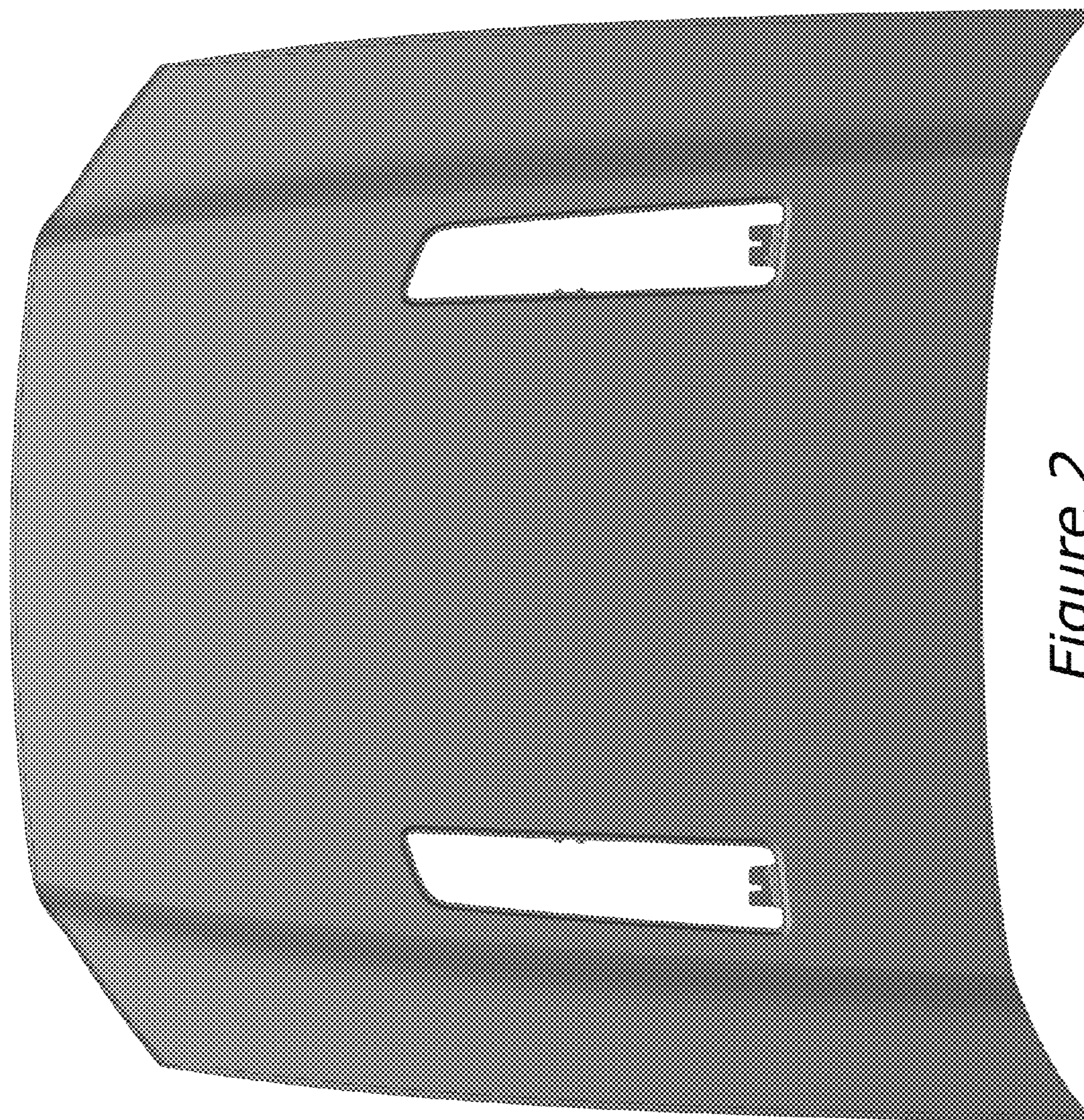


Figure 2

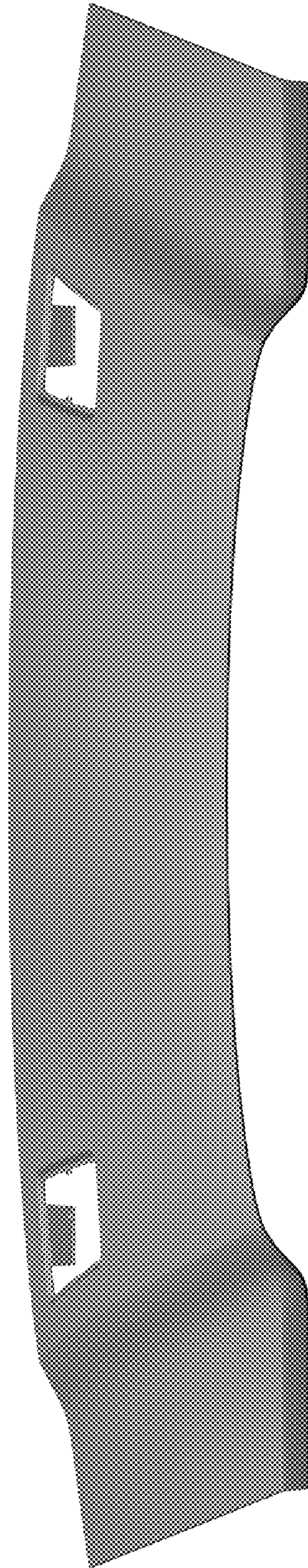


Figure 3

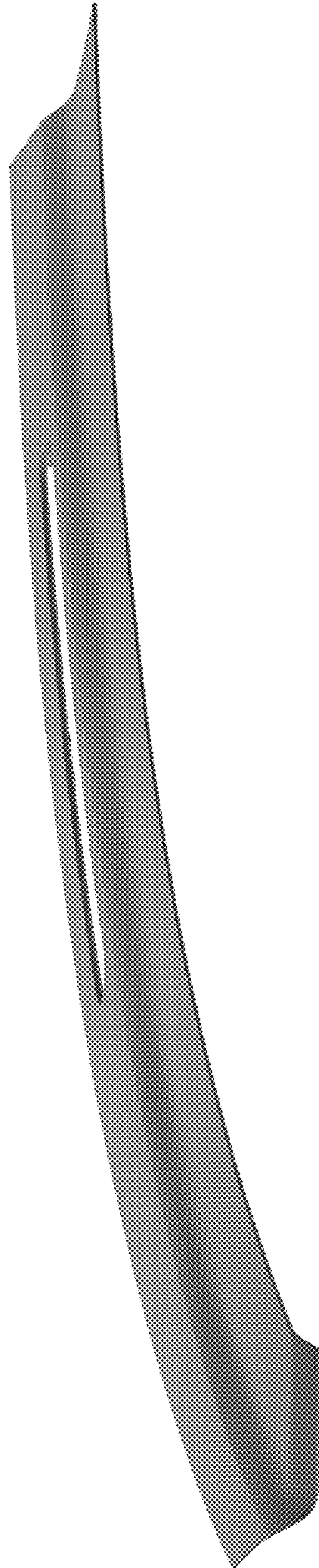


Figure 4

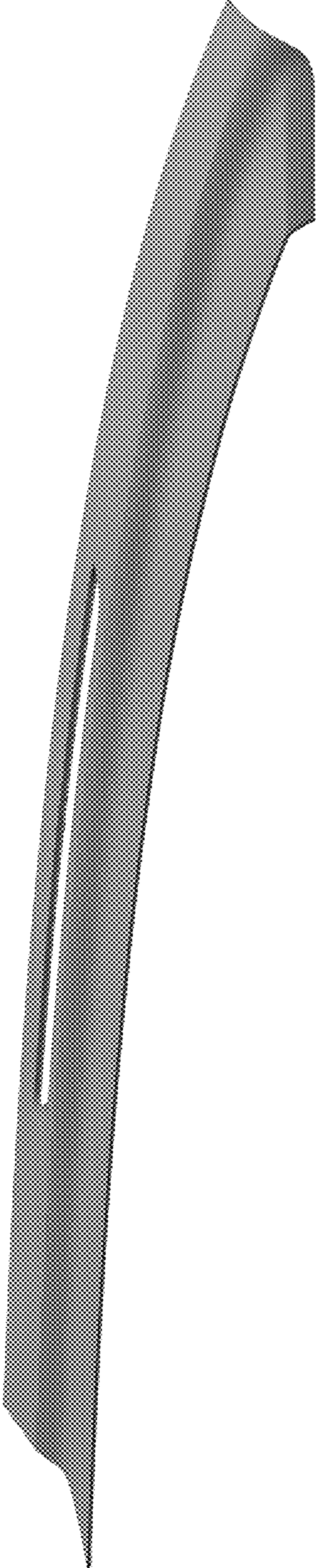


Figure 5

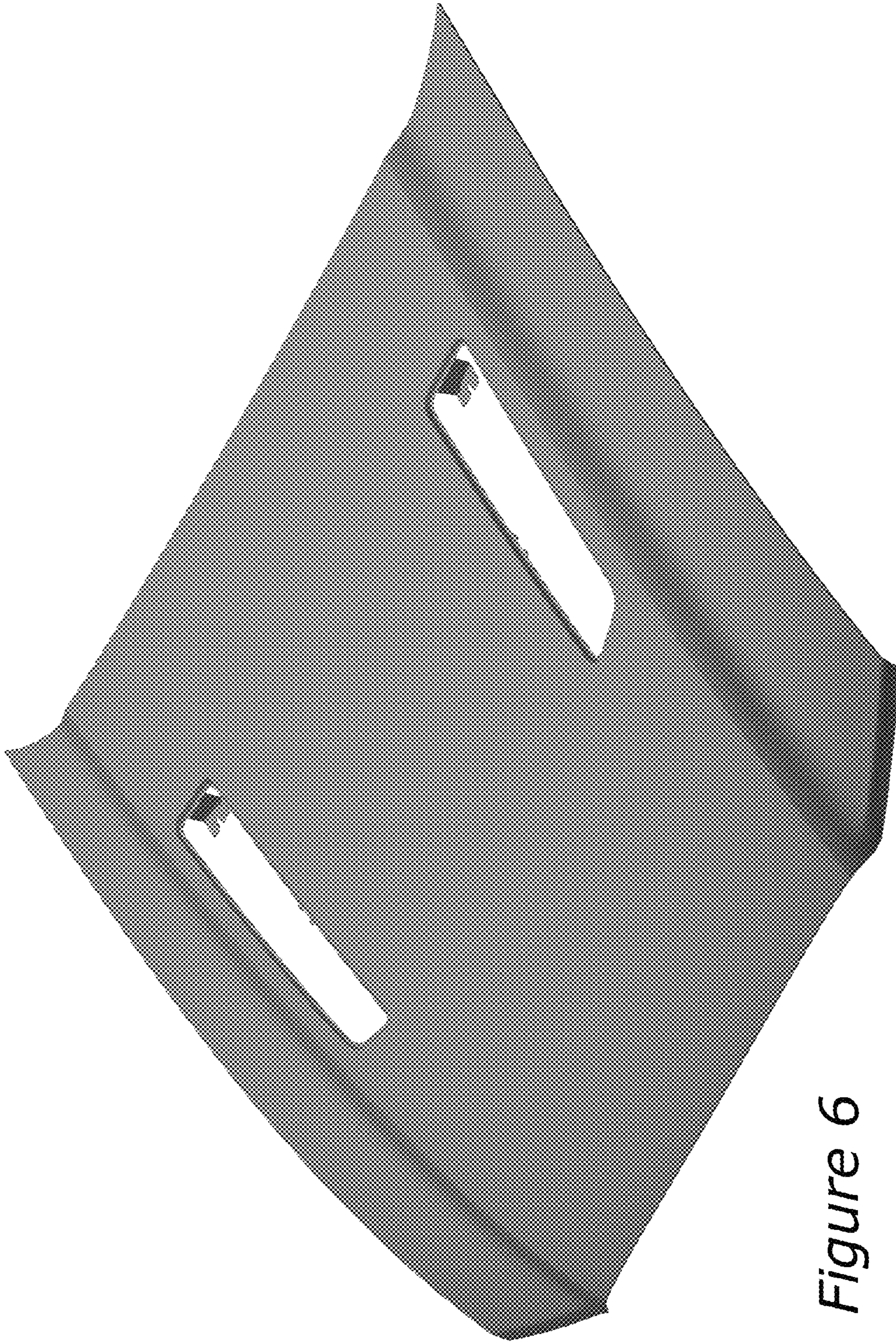


Figure 6

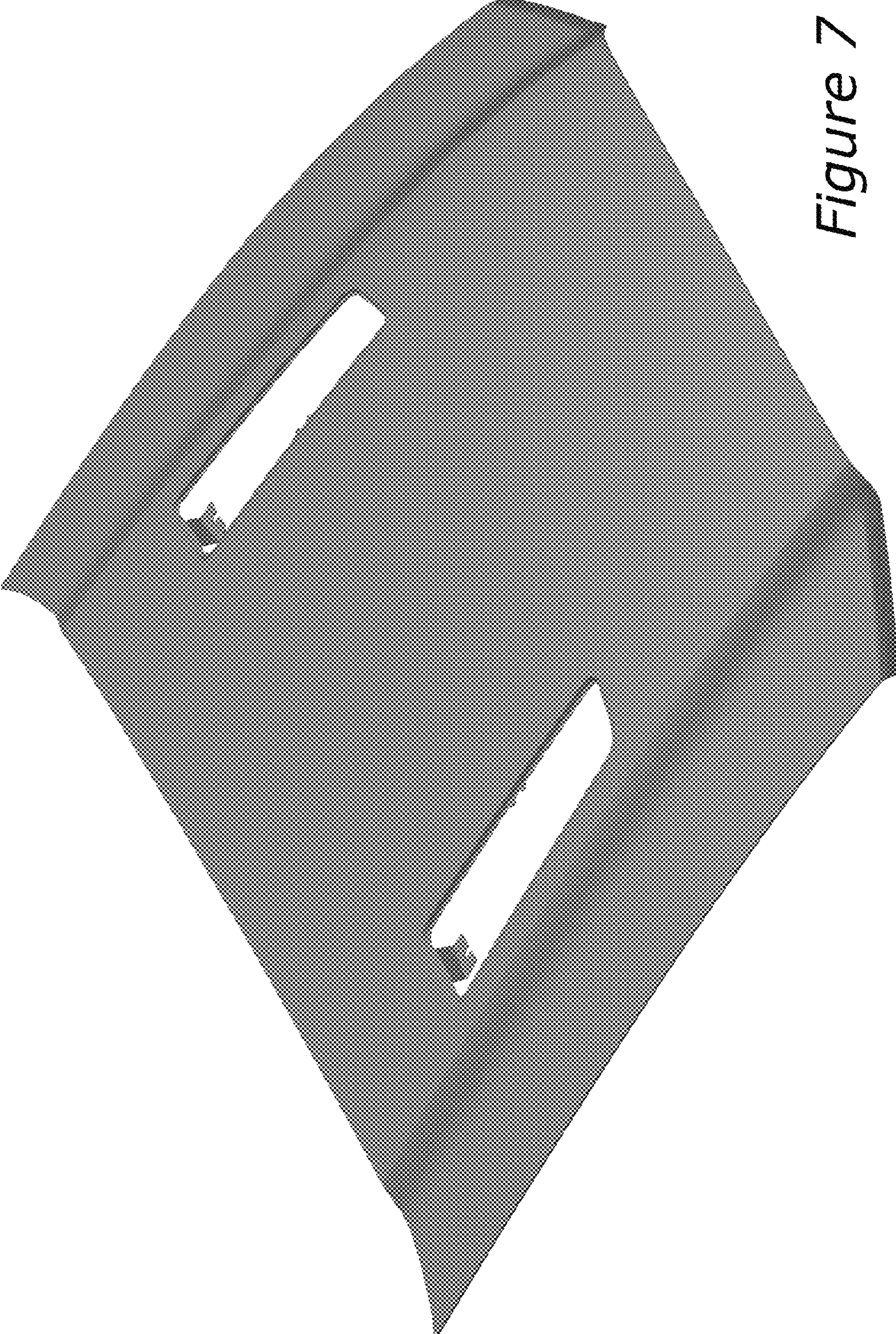


Figure 7