



US00D678144S

(12) **United States Design Patent**
Behmer et al.

(10) **Patent No.:** **US D678,144 S**
(45) **Date of Patent:** **** Mar. 19, 2013**

(54) **VEHICLE REAR BUMPER COVER**

(75) Inventors: **Darrell Paul Behmer**, Novi, MI (US);
Melvin Betancourt, Shelby Township,
MI (US); **Robert Gelardi**, Dearborn, MI
(US)

(73) Assignee: **Ford Motor Company**, Dearborn, MI
(US)

(**) Term: **14 Years**

(21) Appl. No.: **29/406,127**

(22) Filed: **Nov. 10, 2011**

(51) **LOC (9) Cl.** **12-16**

(52) **U.S. Cl.** **D12/169**

(58) **Field of Classification Search** D12/163,
D12/171, 196, 216, 90-92, 86, 164, 169;
293/102, 103, 105, 112, 113, 115, 117; 296/180.1,
296/180.2

See application file for complete search history.

(56) **References Cited**

U.S. PATENT DOCUMENTS

D498,444 S	11/2004	Mays et al.	
D500,970 S	1/2005	Mays	
D580,834 S	11/2008	Saridakis	
D580,835 S	11/2008	Saridakis	
D610,504 S	* 2/2010	Bucher et al.	D12/169
D615,912 S	* 5/2010	Akasawa et al.	D12/169
D619,512 S	* 7/2010	Walter et al.	D12/169
D627,276 S	* 11/2010	Kruger et al.	D12/169
D630,976 S	* 1/2011	Clottu	D12/169

D637,535 S	*	5/2011	Yukawa et al.	D12/169
D644,575 S	*	9/2011	Messale	D12/169
D663,660 S	*	7/2012	Platto et al.	D12/169
D664,484 S	*	7/2012	Kawaguchi	D12/169

OTHER PUBLICATIONS

All About Cars And Trucks, Aug. 17, 2011, 2013 Ford Mustang Spy Photos.
Motorauthority, Jun. 3, 2011, 2013 Ford Mustang Shelby GT500 spy shots.

* cited by examiner

Primary Examiner — Melody N Brown

(74) *Attorney, Agent, or Firm* — Damian Porcari

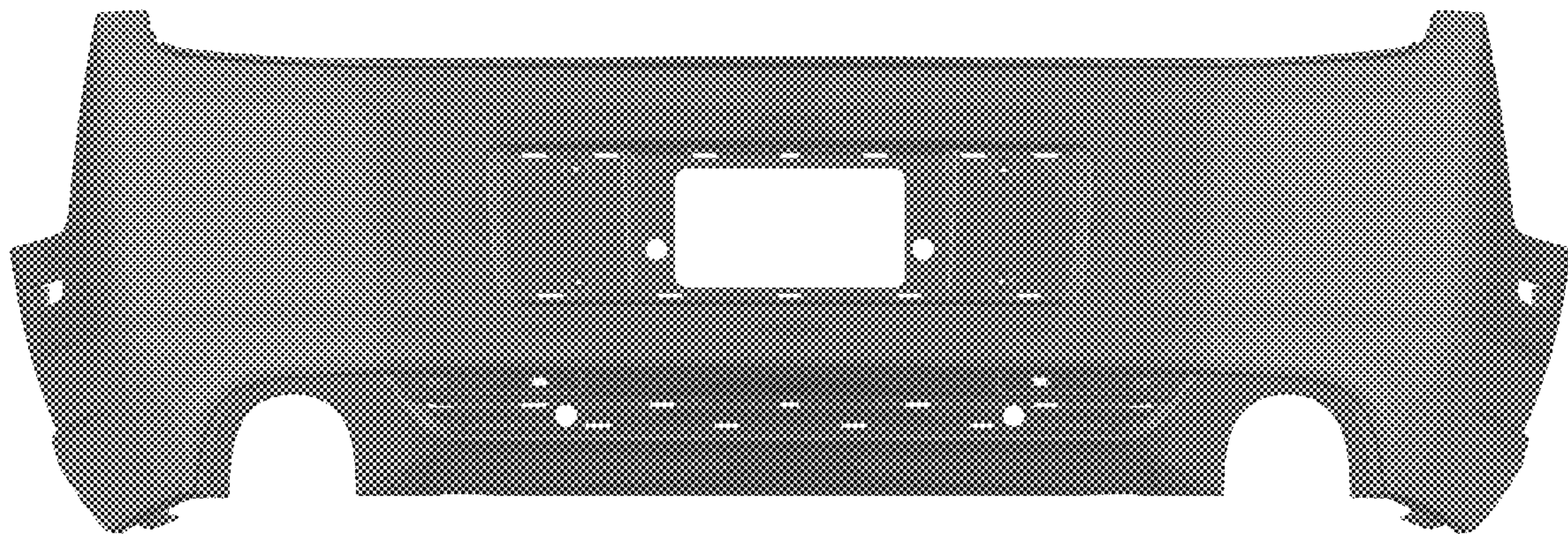
(57) **CLAIM**

The ornamental design for a vehicle rear bumper cover, as shown and described.

DESCRIPTION

FIG. 1 is a top plan view of a vehicle rear bumper cover;
FIG. 2 is a bottom plan view of the vehicle rear bumper cover;
FIG. 3 is a front elevational view of the vehicle rear bumper cover;
FIG. 4 is a left side elevational view of the vehicle rear bumper cover;
FIG. 5 is a right side elevational view of the vehicle rear bumper cover;
FIG. 6 is a perspective view of the vehicle rear bumper cover;
and,
FIG. 7 is another perspective view of the vehicle rear bumper cover.

1 Claim, 7 Drawing Sheets



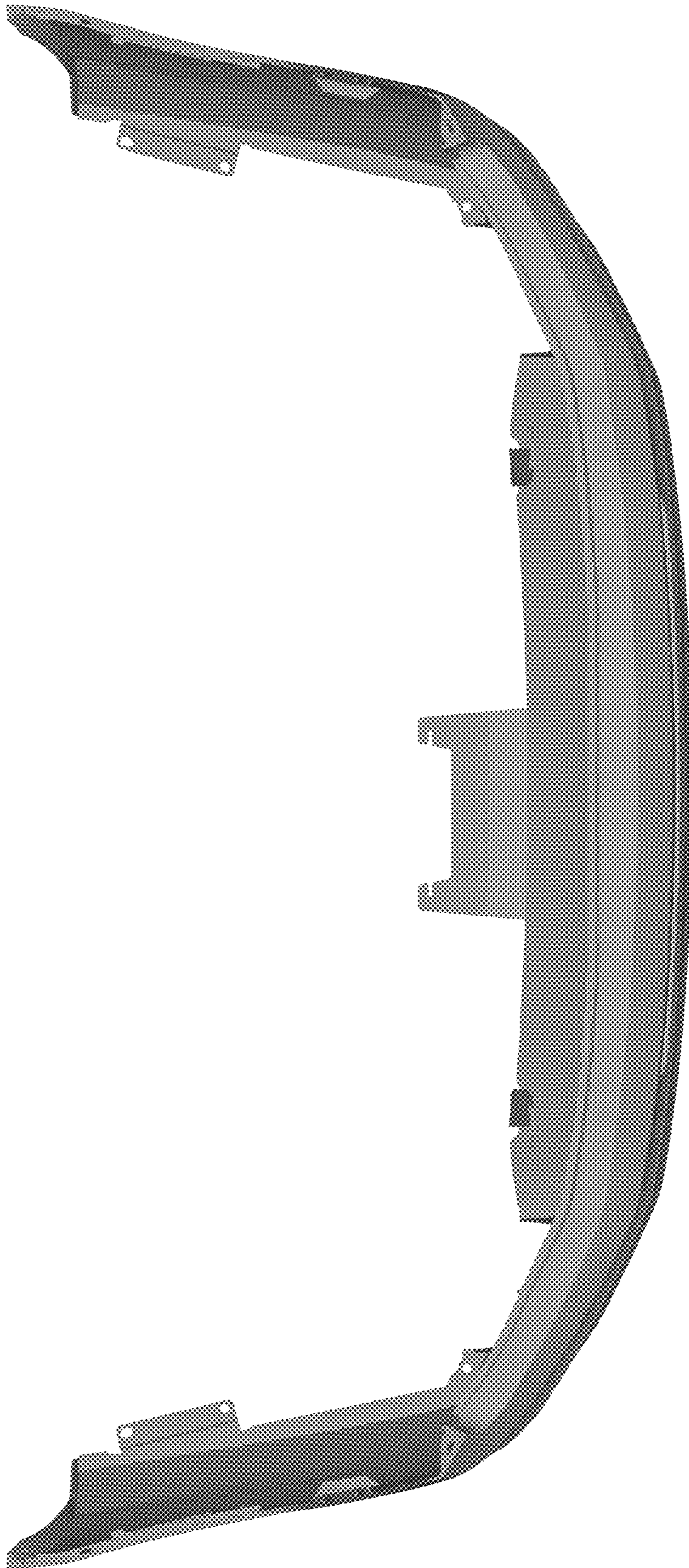
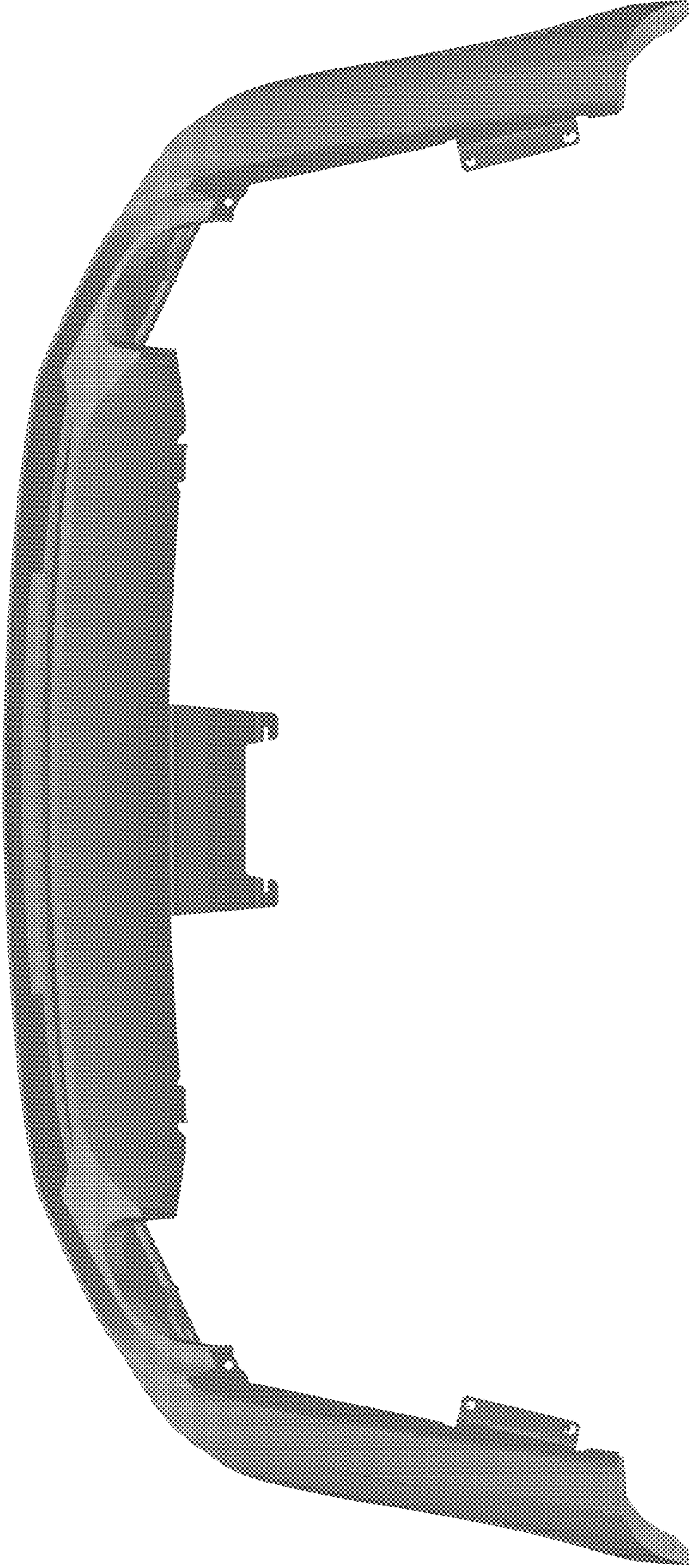


Figure 1

Figure 2



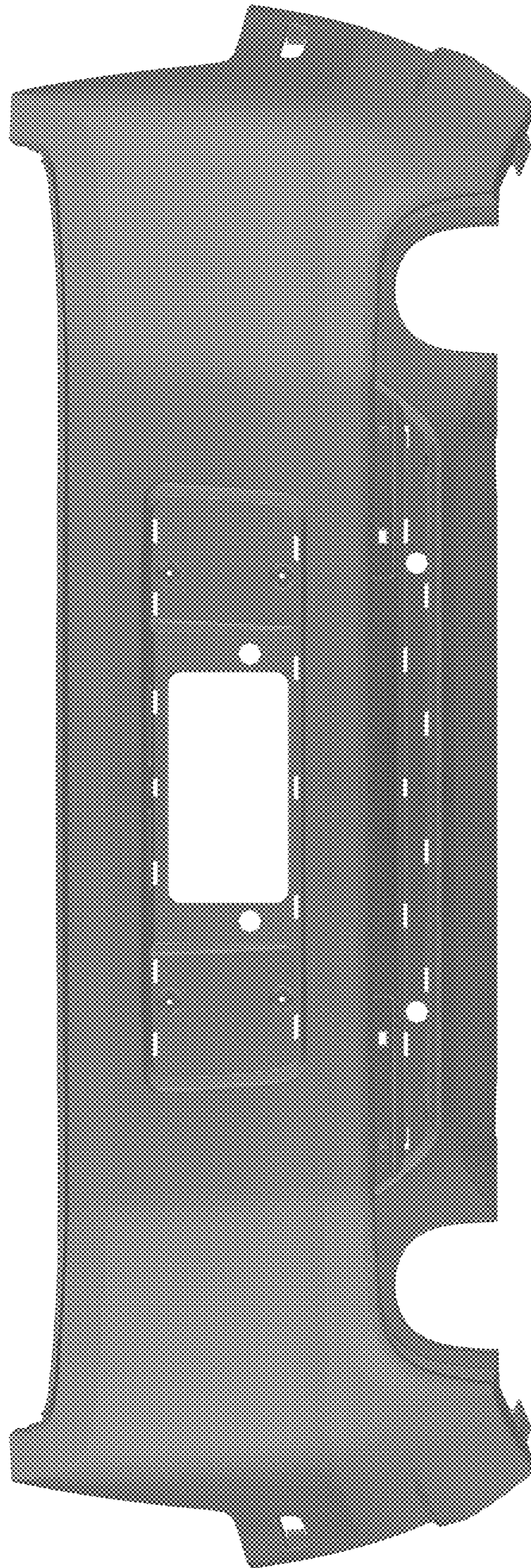


Figure 3

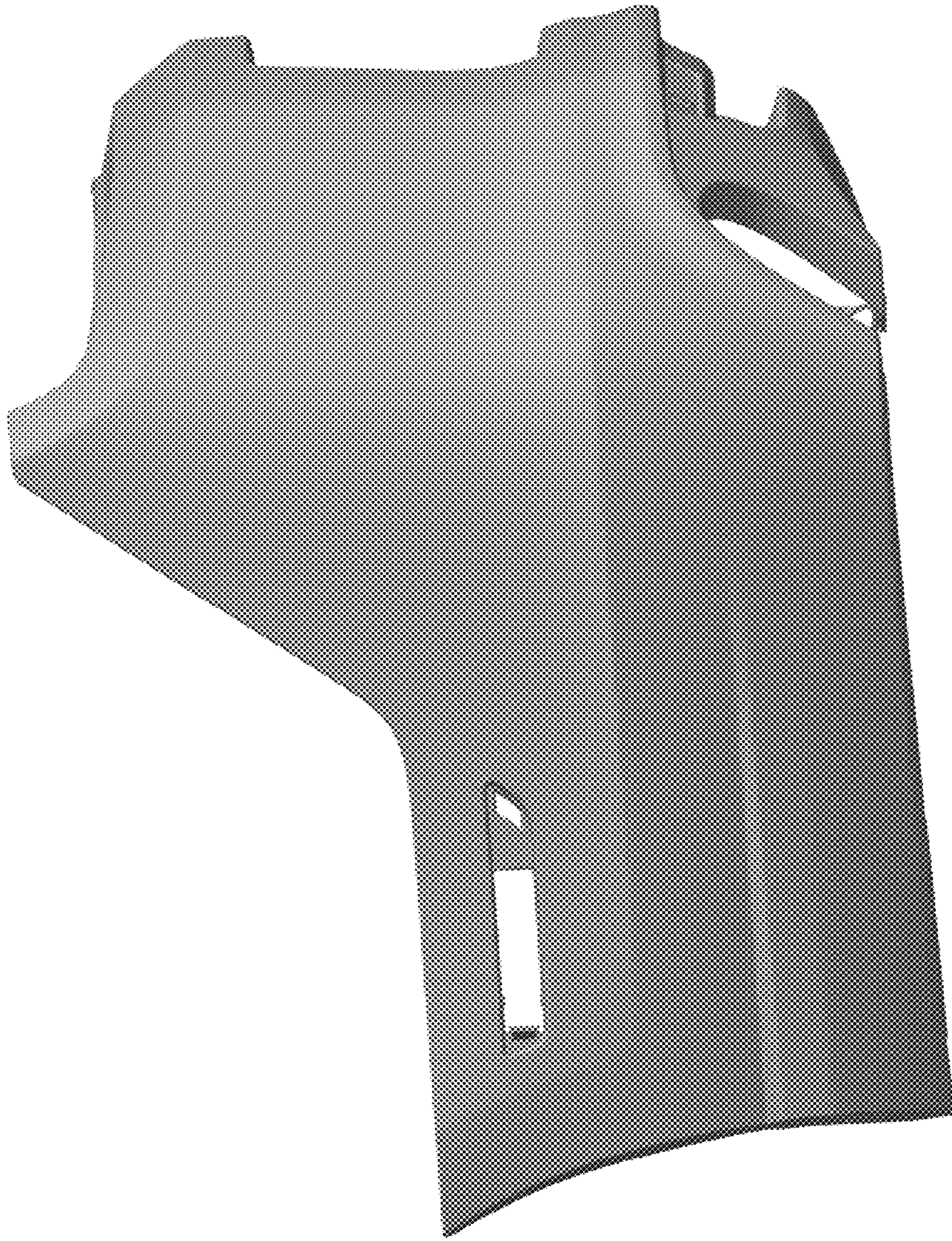


Figure 4

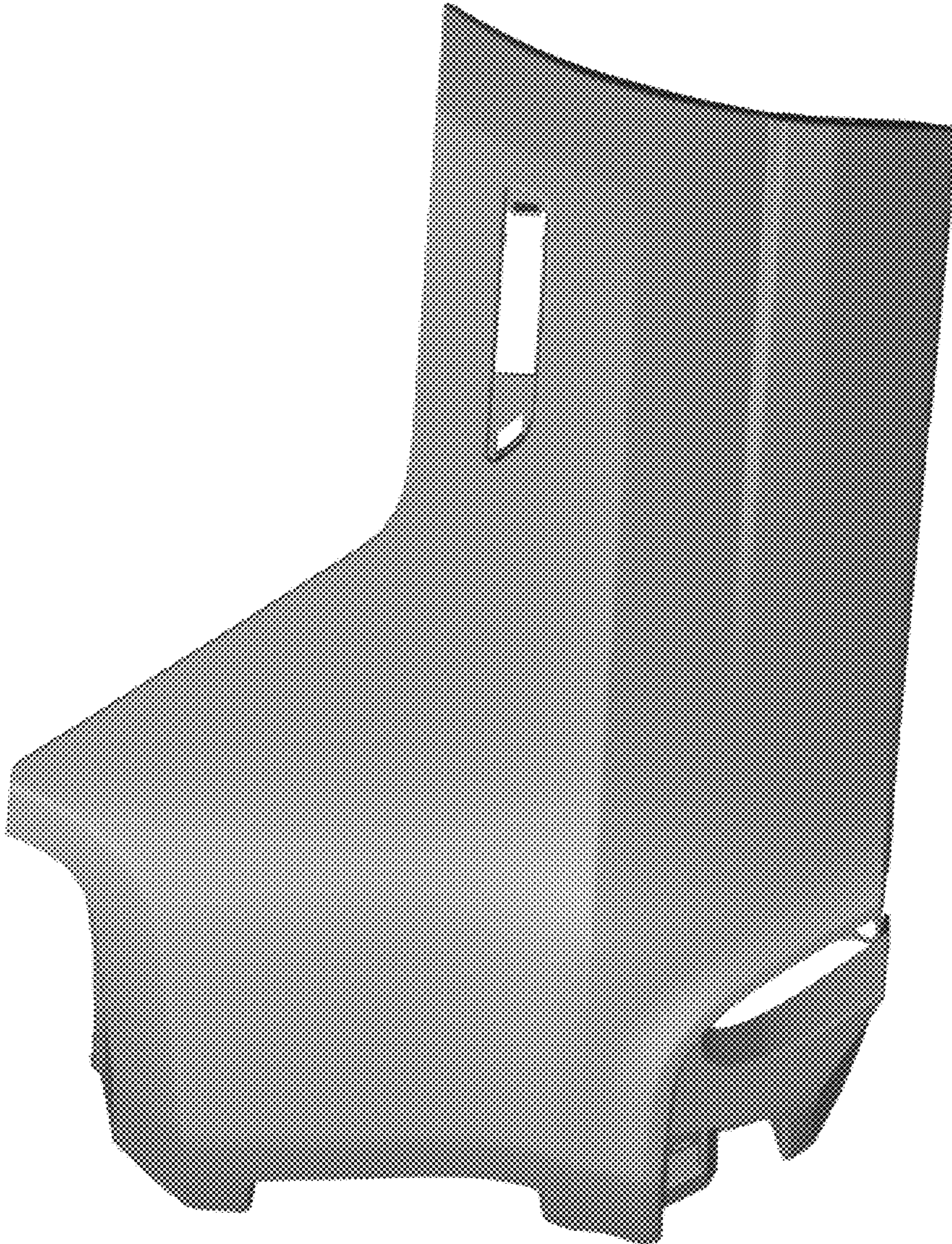


Figure 5

Figure 6



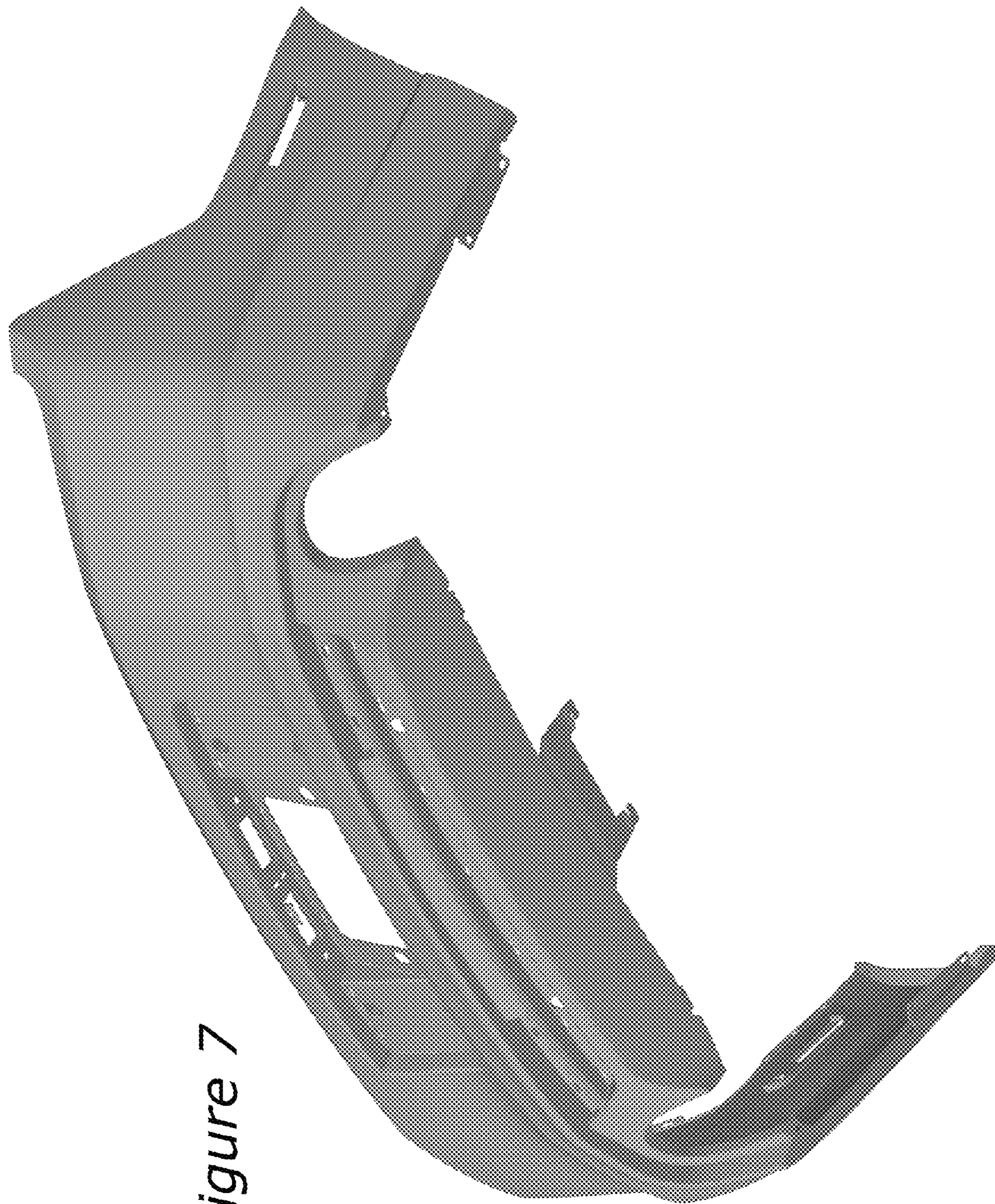


Figure 7