



US00D678137S

(12) **United States Design Patent**
Behmer et al.

(10) **Patent No.:** **US D678,137 S**
(45) **Date of Patent:** **** Mar. 19, 2013**

(54) **VEHICLE FRONT LOWER GRILLE**

D589,853 S 4/2009 Saridakis
D664,481 S * 7/2012 Platto et al. D12/163
D664,900 S * 8/2012 Platto et al. D12/163

(75) Inventors: **Darrell Paul Behmer**, Novi, MI (US);
Melvin Betancourt, Shelby Township,
MI (US); **Keith Rogman**, Fenton, MI
(US); **Garen Nicoghosian**, Bloomfield
Hills, MI (US); **John Kim**, Ann Arbor,
MI (US)

OTHER PUBLICATIONS

All About Cars and Trucks, Aug. 17, 2011, 2013 Ford Mustang Spy
Photos.
Motorauthority, Jun3 19, 2011, 2013 Ford Mustang Shelby GT500
spy shots.

(73) Assignee: **Ford Motor Company**, Dearborn, MI
(US)

* cited by examiner

Primary Examiner — Melody N Brown

(**) Term: **14 Years**

(74) *Attorney, Agent, or Firm* — Damian Porcari

(21) Appl. No.: **29/406,163**

(57) **CLAIM**

The ornamental design for a vehicle front lower grille, as
shown and described.

(22) Filed: **Nov. 10, 2011**

DESCRIPTION

(51) **LOC (9) Cl.** **12-16**

FIG. 1 is a top plan view of a vehicle front lower grille;
FIG. 2 is a bottom plan view of the vehicle front lower grille;
FIG. 3 is a front elevational view of the vehicle front lower
grille;
FIG. 4 is a left side elevational view of the vehicle front lower
grille;
FIG. 5 is a right side elevational view of the vehicle front
lower grille;
FIG. 6 is a perspective view of the vehicle front lower grille;
and,
FIG. 7 is another perspective view of the vehicle front lower
grille.

(52) **U.S. Cl.** **D12/163**

(58) **Field of Classification Search** D12/163,
D12/196, 171, 216, 169, 86, 90-92; 180/68.1,
180/68.6; 296/193.11

See application file for complete search history.

(56) **References Cited**

U.S. PATENT DOCUMENTS

D584,196 S * 1/2009 Ebel et al. D12/163
D585,340 S * 1/2009 Sinkwitz D12/163

1 Claim, 7 Drawing Sheets



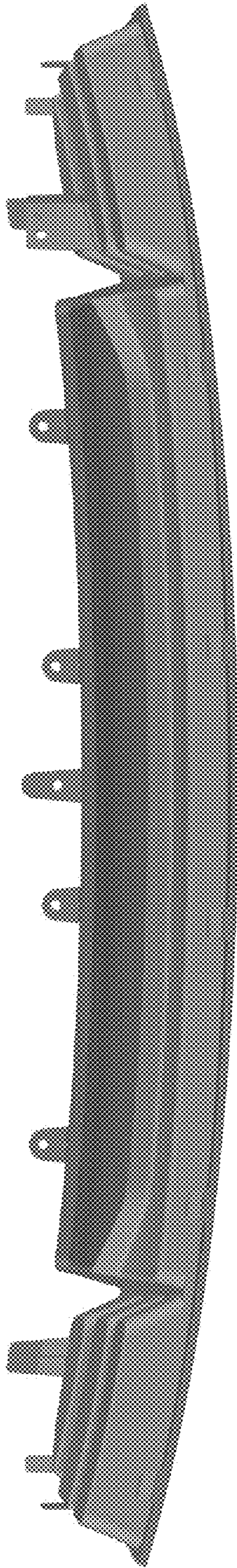


Figure 1

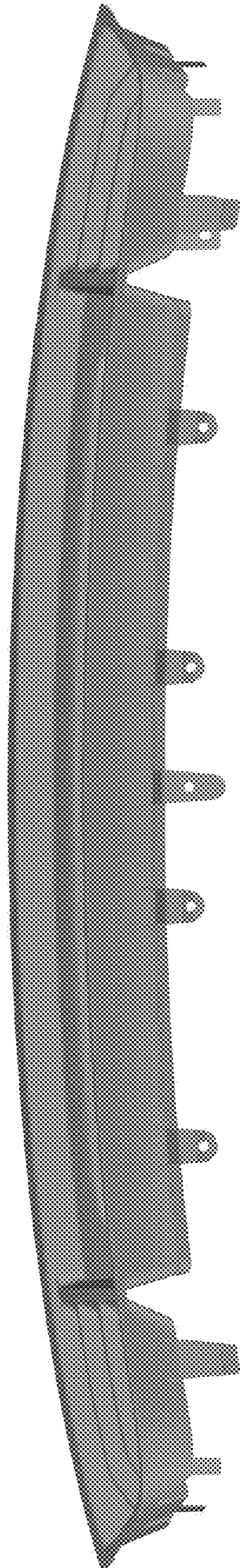


Figure 2

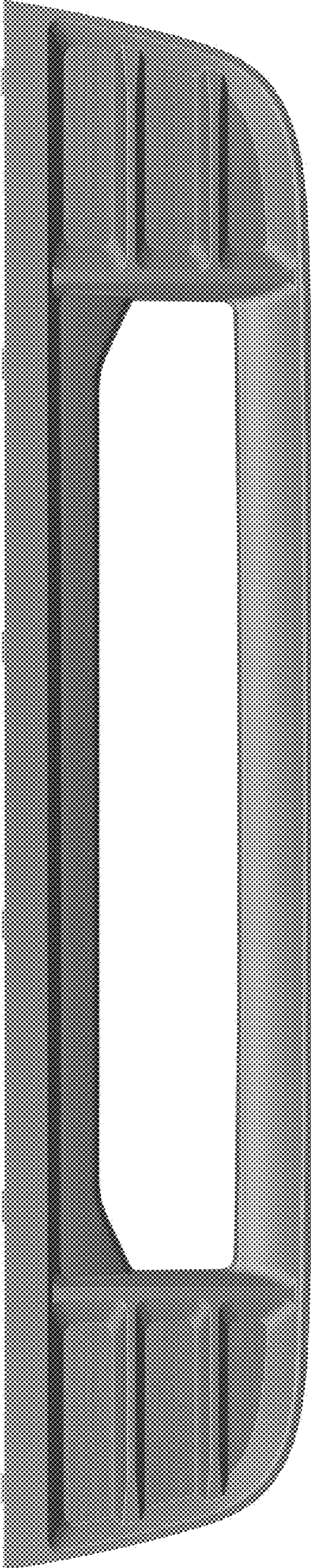


Figure 3

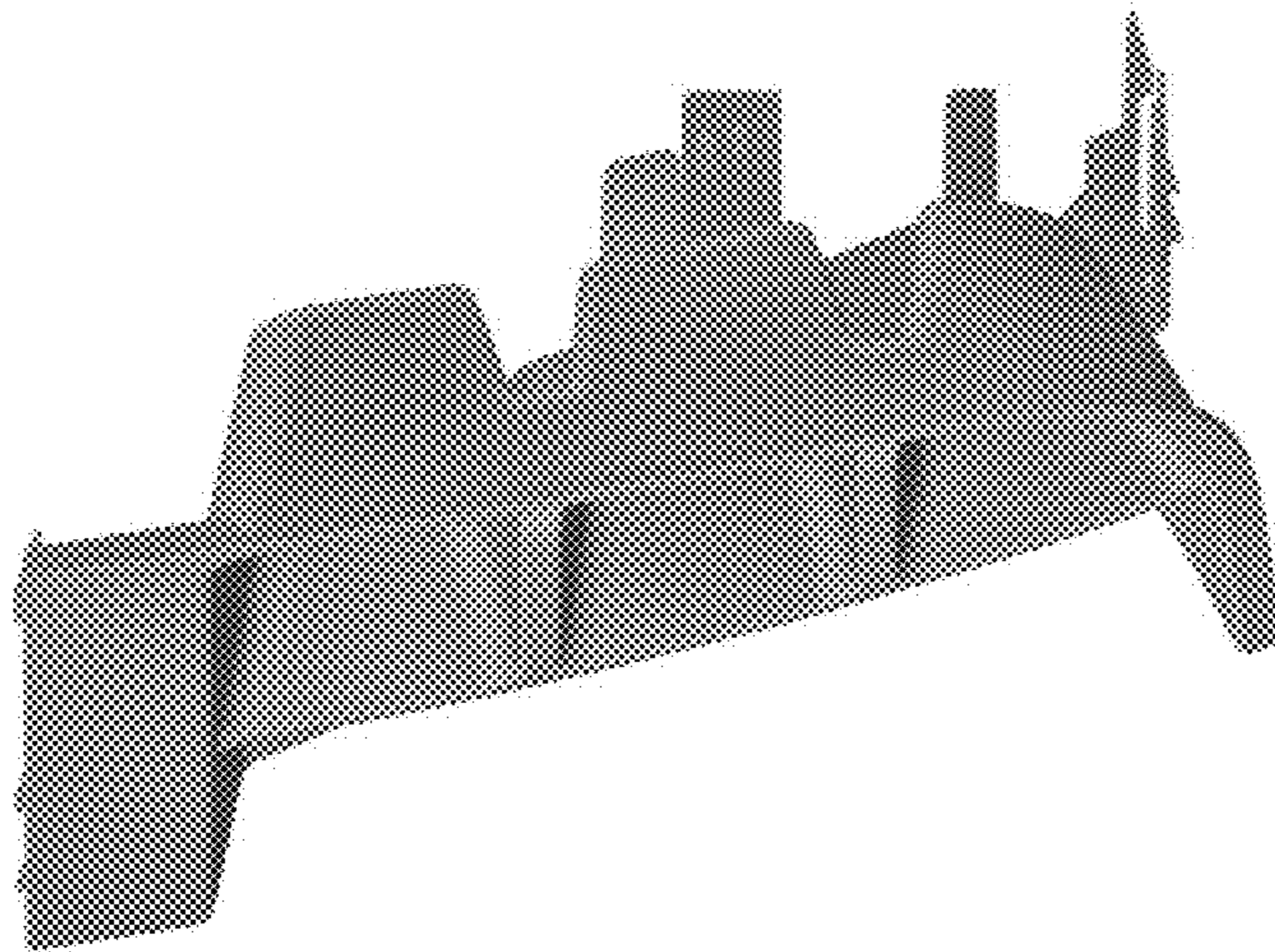


Figure 4

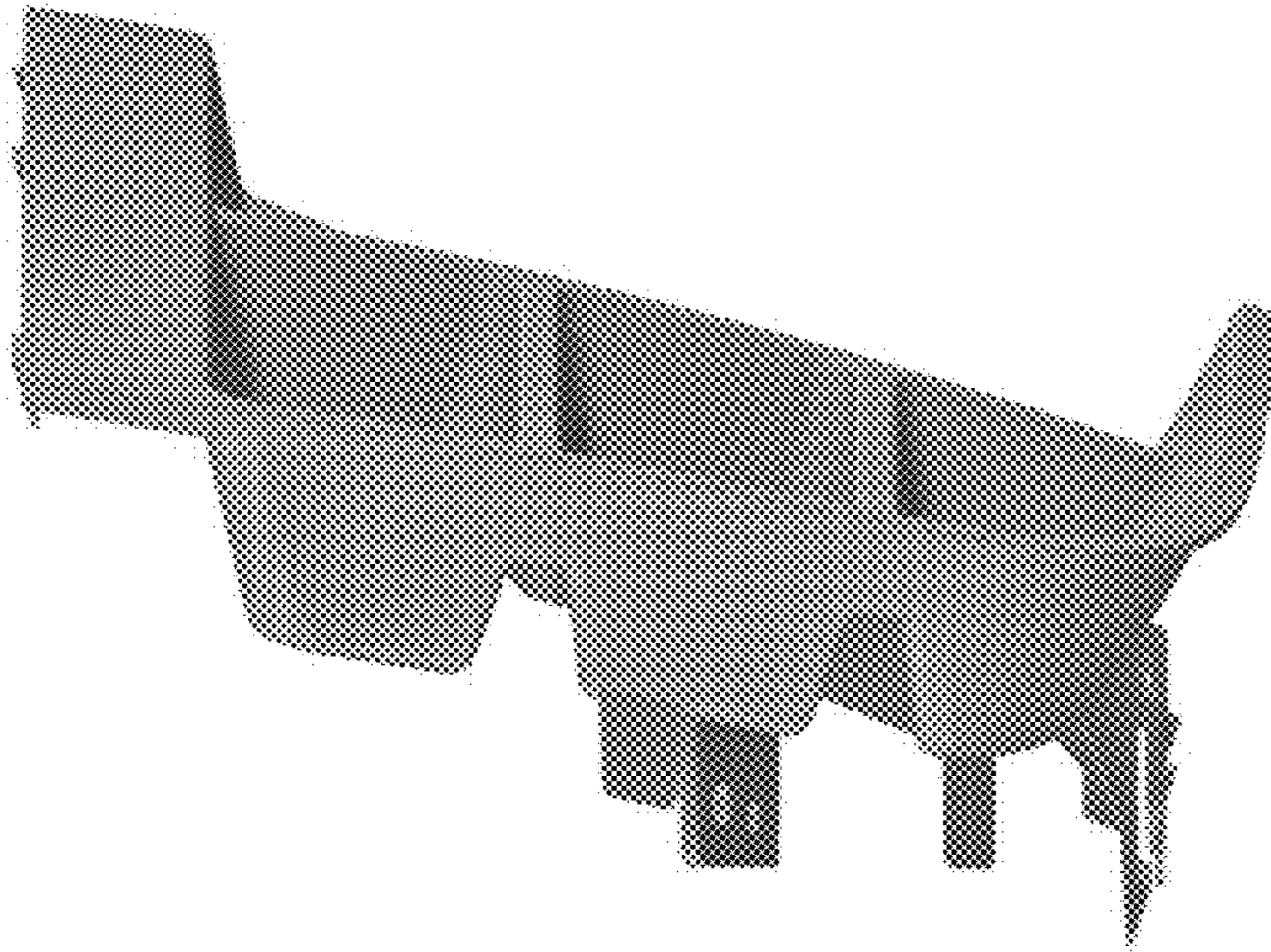


Figure 5

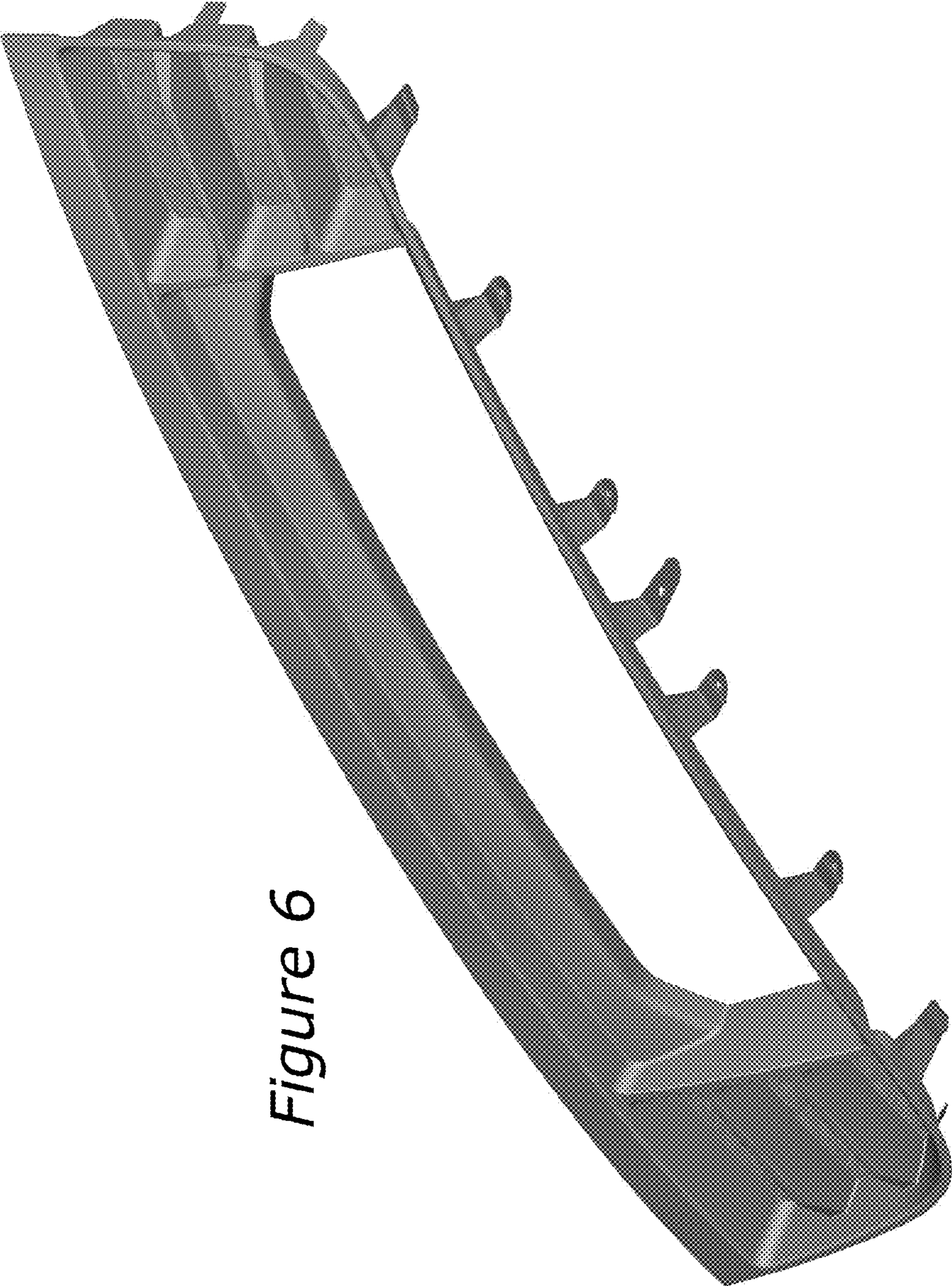


Figure 6

Figure 7

