



US00D678134S

(12) **United States Design Patent**
Behmer et al.

(10) **Patent No.:** **US D678,134 S**
(45) **Date of Patent:** **** Mar. 19, 2013**

(54) **VEHICLE FRONT UPPER GRILLE**

D634,675 S * 3/2011 Lamm et al. D12/163
D664,481 S * 7/2012 Platto et al. D12/163
D664,900 S * 8/2012 Platto et al. D12/163

(75) Inventors: **Darrell Paul Behmer**, Novi, MI (US);
Melvin Betancourt, Shelby Township,
MI (US); **Garen Nicoghosian**,
Bloomfield Hills, MI (US)

OTHER PUBLICATIONS

All About Cars And Trucks, Aug. 17, 2011, 2013 Ford Mustang Spy
Photos.
Motorauthority, Jun. 19, 2011, 2013 Ford Mustang Shelby GT500
spy shots.

(73) Assignee: **Ford Motor Company**, Dearborn, MI
(US)

* cited by examiner

(**) Term: **14 Years**

Primary Examiner — Melody N Brown

(74) *Attorney, Agent, or Firm* — Damian Porcari

(21) Appl. No.: **29/406,113**

(57) **CLAIM**

The ornamental design for a vehicle front upper grille, as
shown and described.

(22) Filed: **Nov. 10, 2011**

DESCRIPTION

(51) **LOC (9) Cl.** **12-16**

(52) **U.S. Cl.** **D12/163**

(58) **Field of Classification Search** D12/163,
D12/196, 171, 216, 169, 86, 90-92; 180/68.1,
180/68.6; 296/193.11

See application file for complete search history.

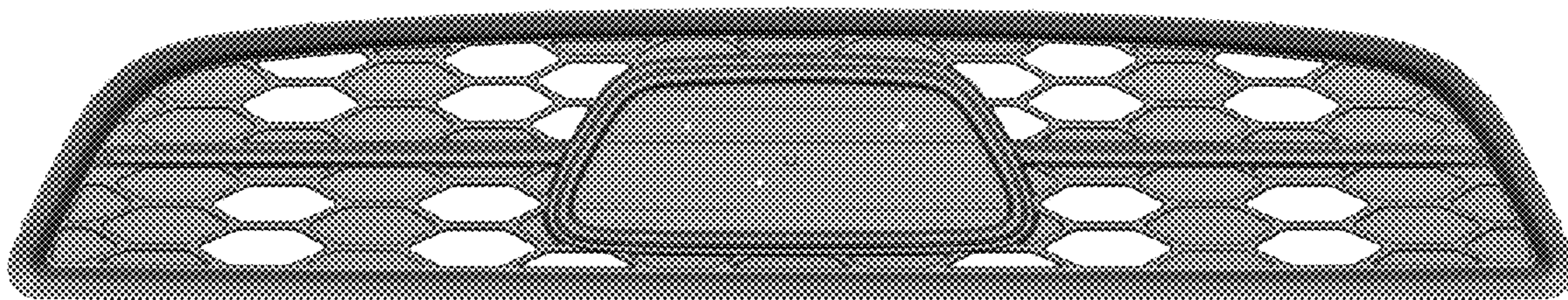
FIG. 1 is a top plan view of a vehicle front upper grille;
FIG. 2 is a bottom plan view of the vehicle front upper grille;
FIG. 3 is a front elevational view of the vehicle front upper
grille;
FIG. 4 is a left side elevational view of the vehicle front upper
grille;
FIG. 5 is a right side elevational view of the vehicle front
upper grille;
FIG. 6 is a perspective view of the vehicle front upper grille;
and,
FIG. 7 is another perspective view of the vehicle front upper
grille.

(56) **References Cited**

U.S. PATENT DOCUMENTS

D535,223 S 1/2007 Gaffka
D569,772 S 5/2008 Saridakis
D577,636 S 9/2008 Saridakis
D585,796 S * 2/2009 Nagasaka et al. D12/163

1 Claim, 7 Drawing Sheets



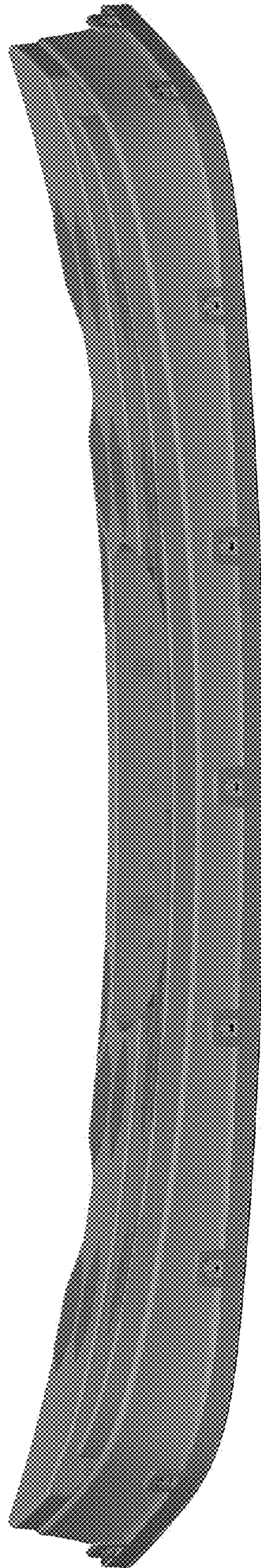
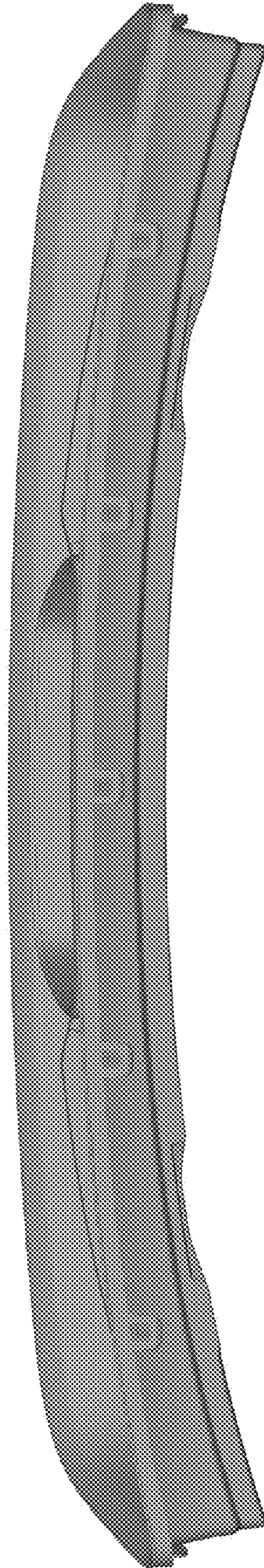


Figure 1

Figure 2



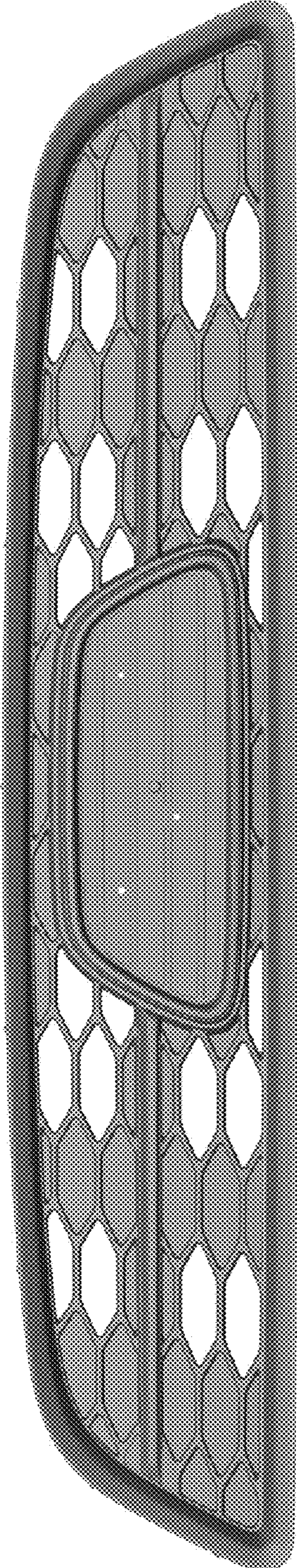


Figure 3

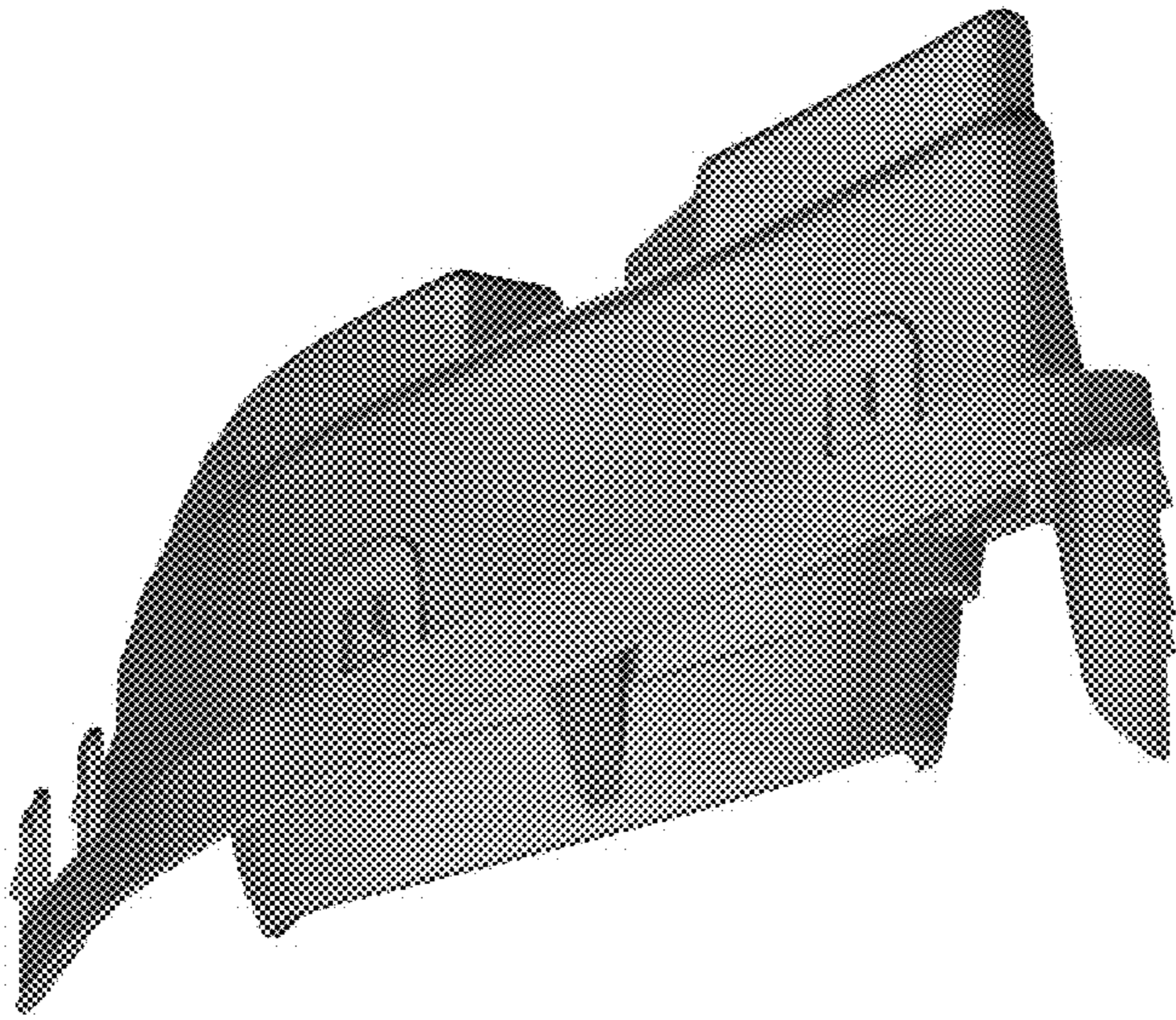


Figure 4

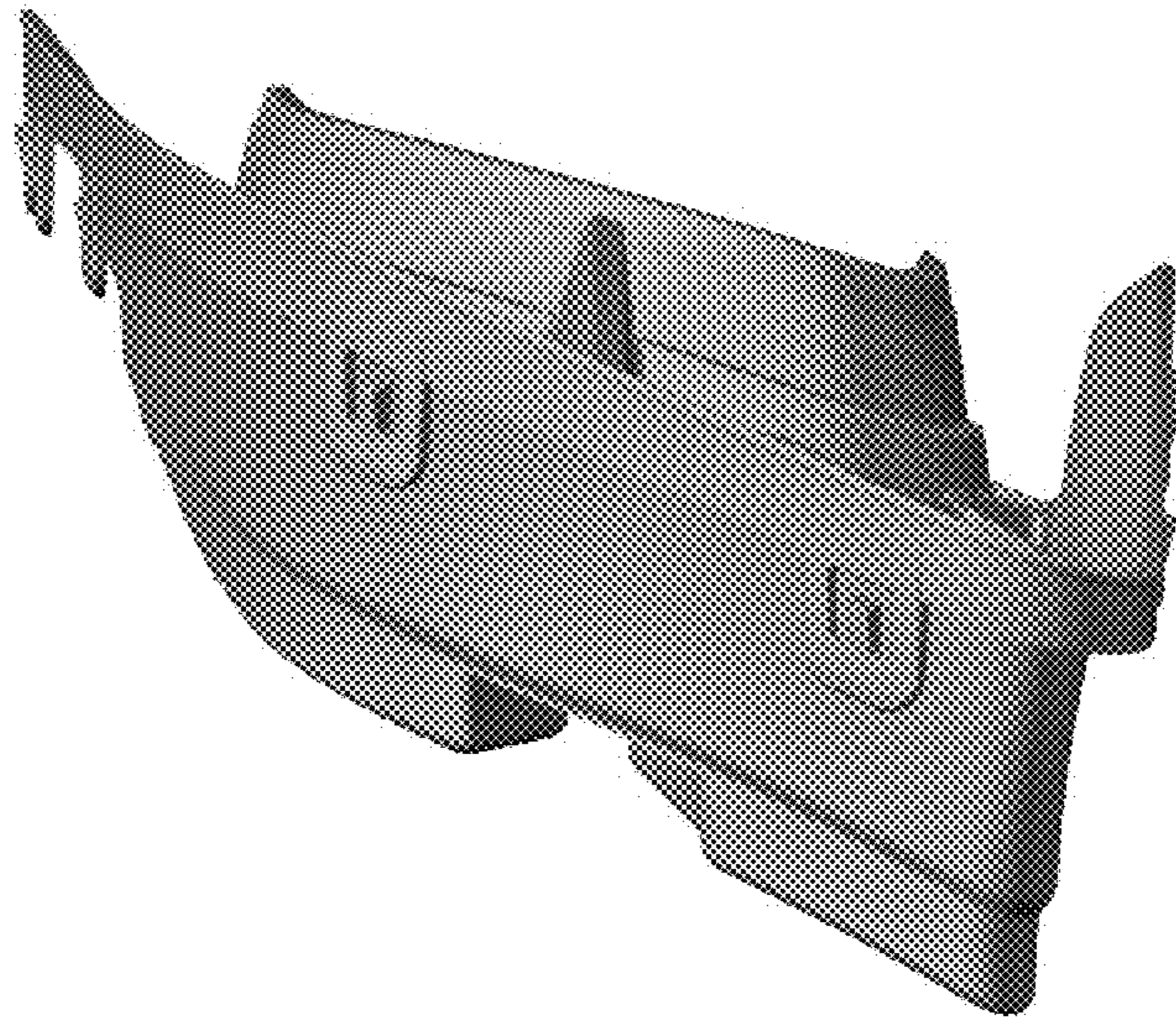


Figure 5

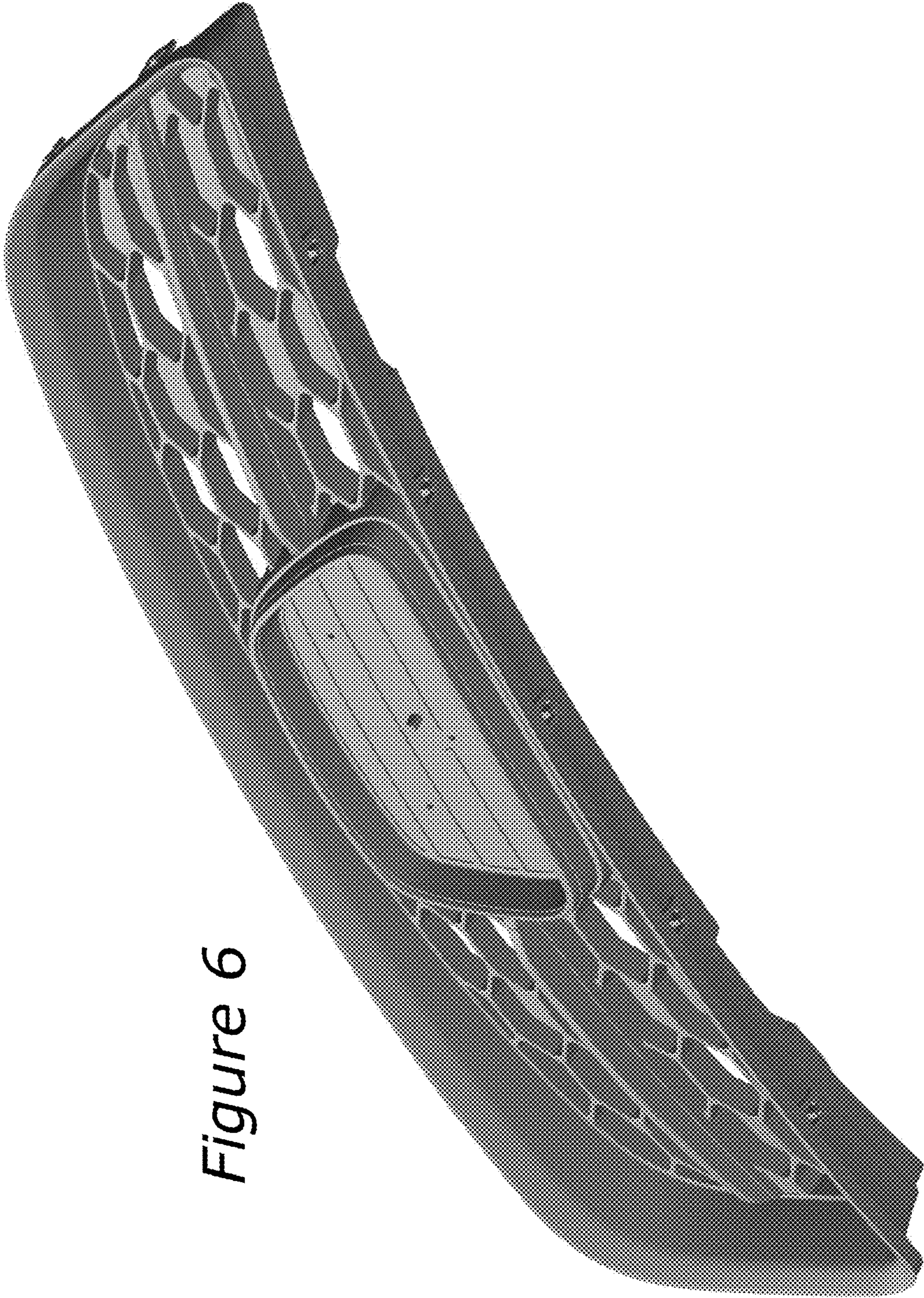


Figure 6

Figure 7

