

US00D678133S

(12) **United States Design Patent**
Behmer et al.

(10) **Patent No.:** **US D678,133 S**
(45) **Date of Patent:** **** Mar. 19, 2013**

(54) **VEHICLE FRONT SIDE GRILLE**

(75) Inventors: **Darrell Paul Behmer**, Novi, MI (US);
Melvin Betancourt, Shelby Township,
MI (US); **Garen Nicoghosian**,
Bloomfield Hills, MI (US)

(73) Assignee: **Ford Motor Company**, Dearborn, MI
(US)

(**) Term: **14 Years**

(21) Appl. No.: **29/406,106**

(22) Filed: **Nov. 10, 2011**

(51) **LOC (9) Cl.** **12-16**

(52) **U.S. Cl.** **D12/163**

(58) **Field of Classification Search** D12/163,
D12/196, 171, 216, 169, 86, 90-92; 180/68.1,
180/68.6; 296/193.11

See application file for complete search history.

(56) **References Cited**

U.S. PATENT DOCUMENTS

D585,796 S *	2/2009	Nagasaka et al.	D12/163
D586,273 S *	2/2009	Hamburger	D12/181
D619,056 S *	7/2010	Lamm et al.	D12/163
D630,560 S *	1/2011	Lamm et al.	D12/163
D647,435 S *	10/2011	Tonello	D12/163
D650,725 S *	12/2011	Tonello	D12/163

OTHER PUBLICATIONS

All About Cars And Trucks, Aug. 17, 2011, 2013 Ford Mustang Spy
Photos.

Motorauthority, Jun. 3-19, 2011, 2013 Ford Mustang Shelby GT500
spy shots.

* cited by examiner

Primary Examiner — Melody N Brown

(74) *Attorney, Agent, or Firm* — Damian Porcari

(57) **CLAIM**

The ornamental design for a vehicle front side grille, as shown
and described.

DESCRIPTION

FIG. 1 is a left side elevational view of a left vehicle front side
grille (the right vehicle front side grille being a mirror image
and is not shown);

FIG. 2 is a right side elevational view of the vehicle front side
grille;

FIG. 3 is a front elevational view of the vehicle front side
grille;

FIG. 4 is a top plan view of the vehicle front side grille;

FIG. 5 is a bottom plan view of the vehicle front side grille;

FIG. 6 is a perspective view of the vehicle front side grille;
and,

FIG. 7 is another perspective view of the vehicle front side
grille.

1 Claim, 7 Drawing Sheets



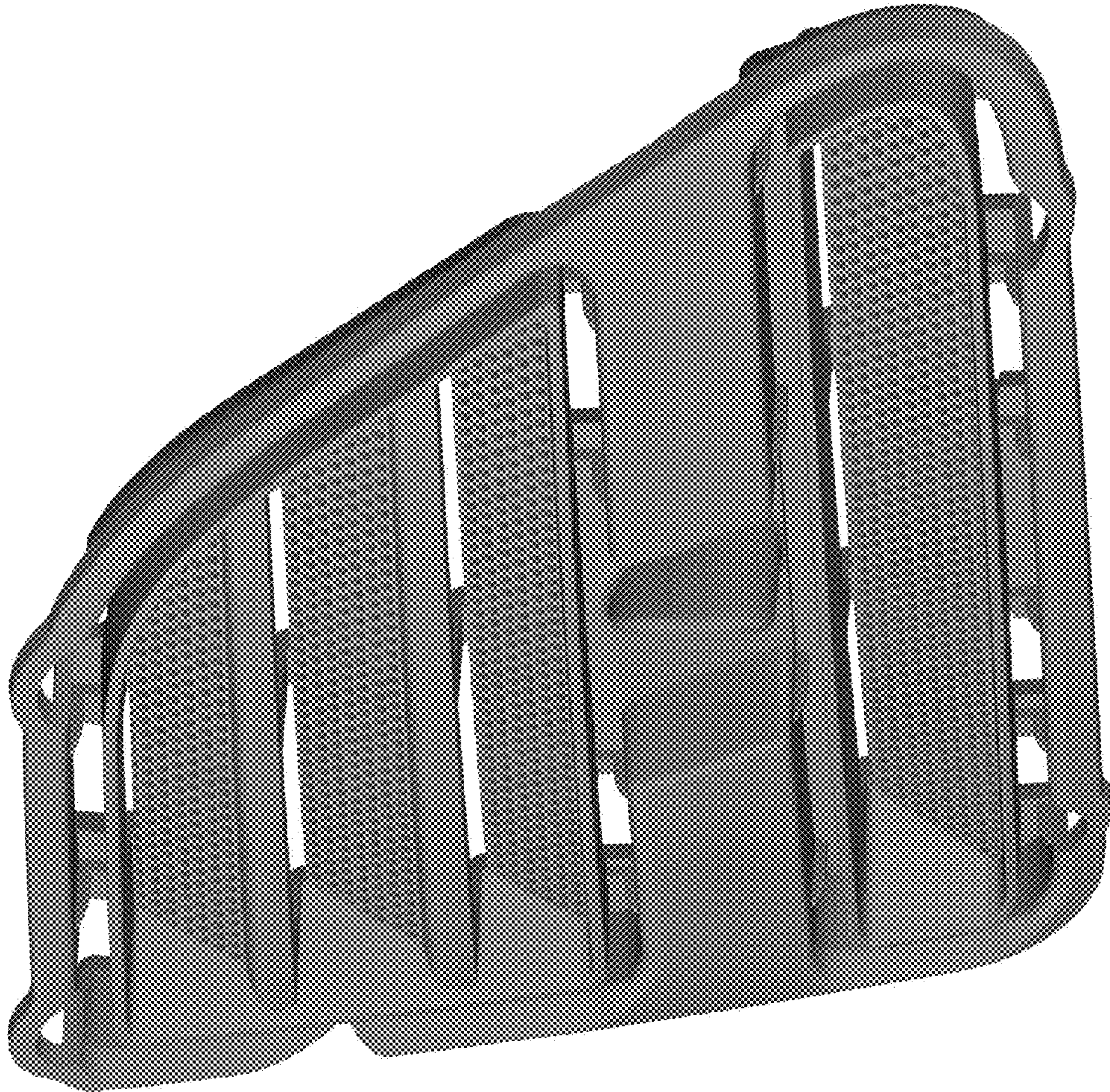
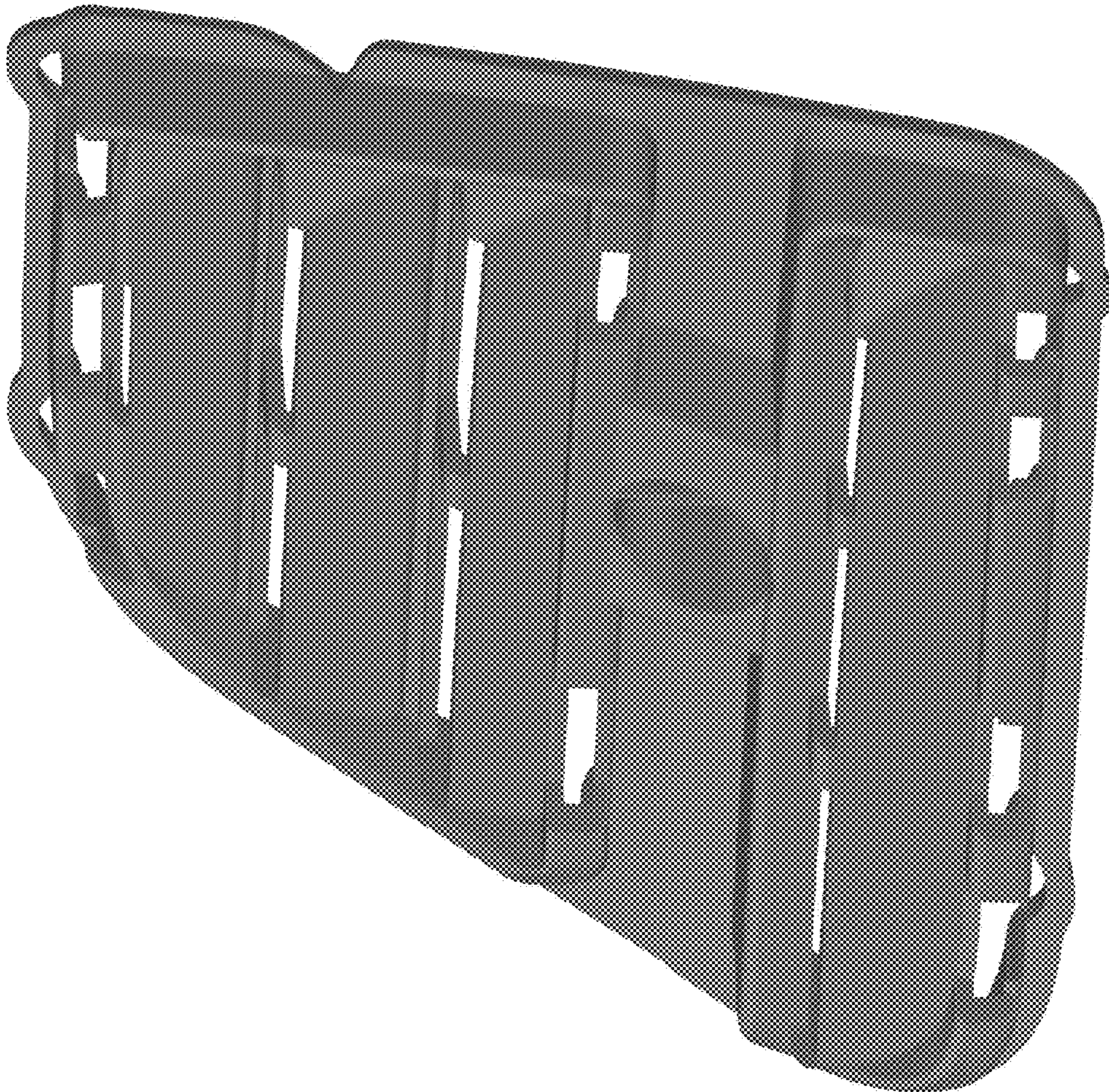


Figure 1

Figure 2



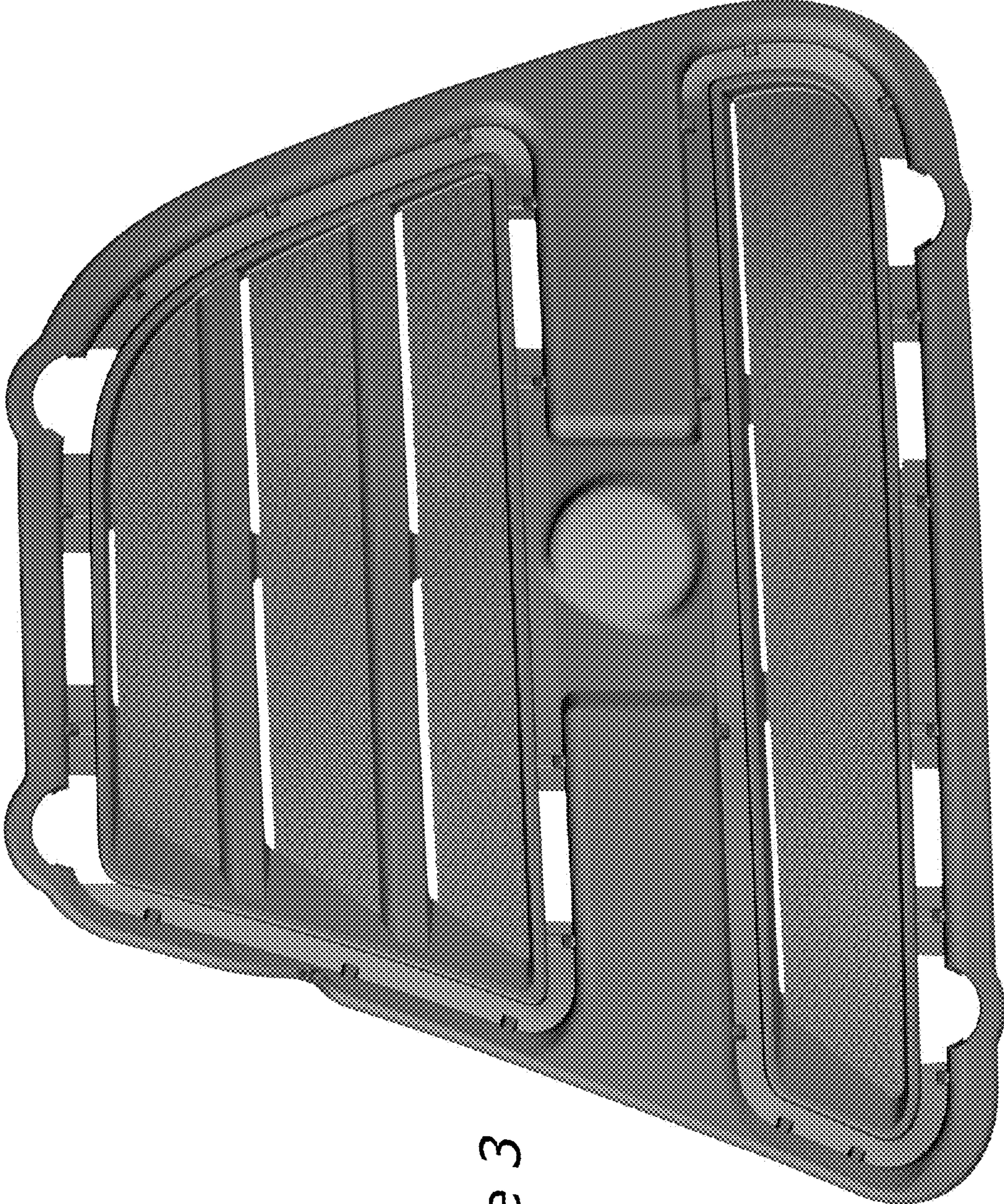


Figure 3

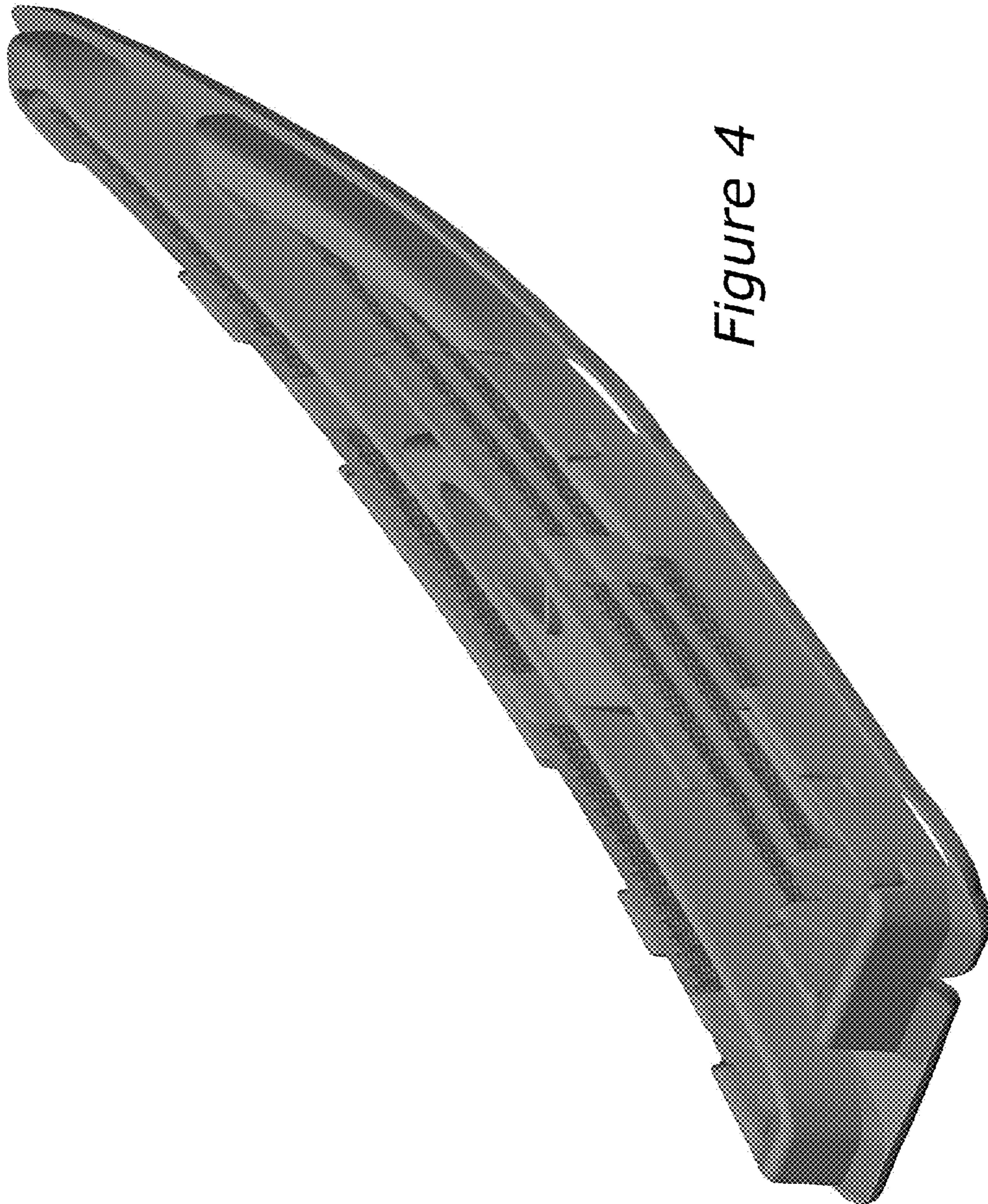
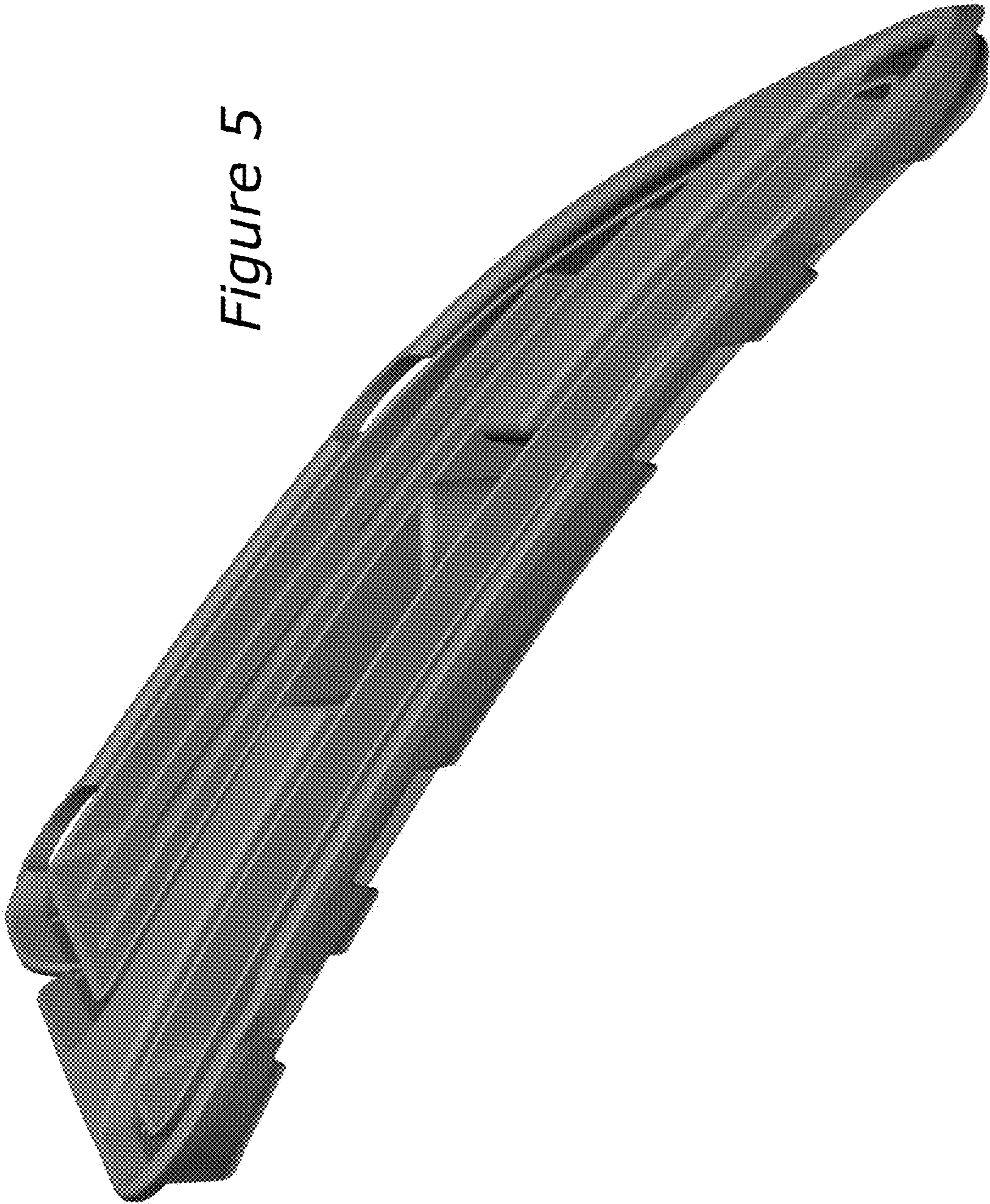


Figure 4

Figure 5



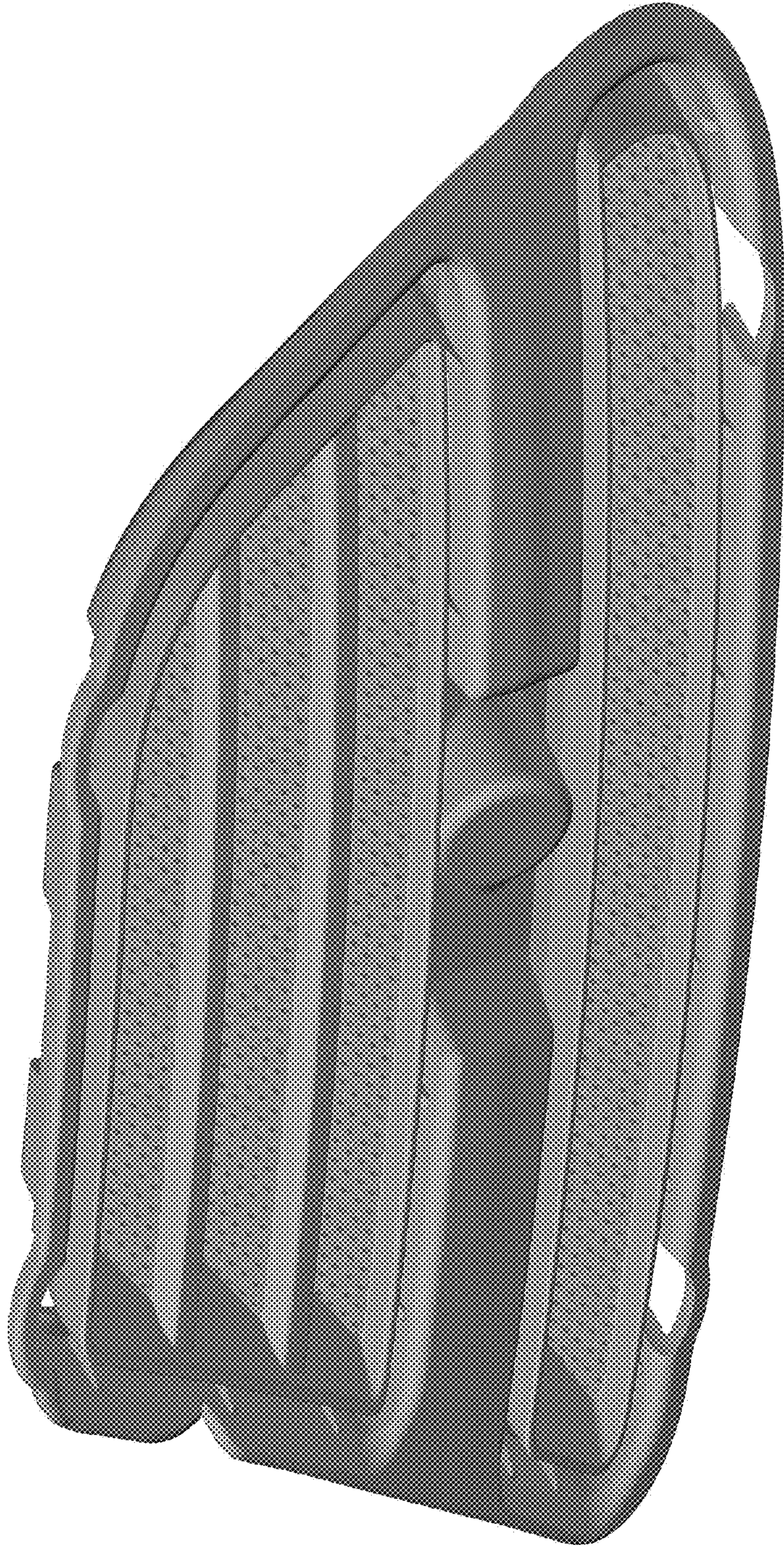


Figure 6

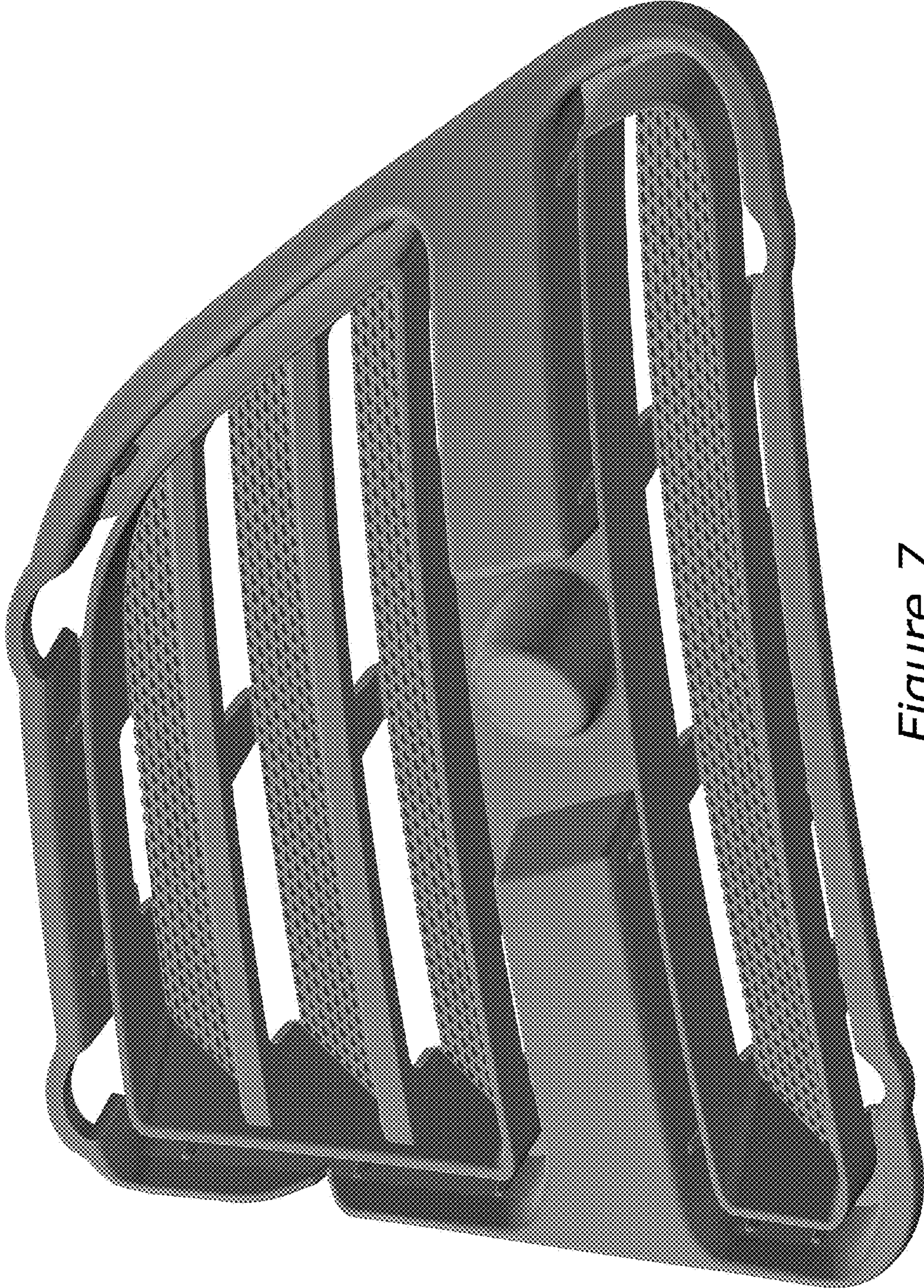


Figure 7