



US00D678130S

(12) **United States Design Patent**
Webster

(10) **Patent No.:** **US D678,130 S**

(45) **Date of Patent:** **** Mar. 19, 2013**

(54) **ADULT TRICYCLE**

(76) **Inventor:** **Gary P. Webster**, West Springfield, MA
(US)

(**) **Term:** **14 Years**

(21) **Appl. No.:** **29/395,539**

(22) **Filed:** **Feb. 10, 2012**

Related U.S. Application Data

(63) Continuation-in-part of application No. 29/370,473,
filed on Jul. 22, 2010, now Pat. No. Des. 653,996.

(51) **LOC (9) Cl.** **12-11**

(52) **U.S. Cl.** **D12/112**

(58) **Field of Classification Search** D12/112,
D12/111; 280/259-261, 263, 265-271; D21/432,
D21/435; 446/440; D6/354, 335, 336, 340;
297/188.04, 188.07, 188.13, 188.19, 195.11;
224/418, 427, 275, 42.11

See application file for complete search history.

(56) **References Cited**

U.S. PATENT DOCUMENTS

D338,433 S 8/1993 Crooks, Sr.
D425,827 S 5/2000 Robinson

D493,391 S * 7/2004 Gunter D12/112
6,802,440 B1 * 10/2004 Stowell 224/413
D498,709 S * 11/2004 Sramek D12/112
D516,962 S * 3/2006 Oosterveer D12/112
D518,417 S * 4/2006 Oosterveer D12/112
7,552,934 B2 * 6/2009 Lee et al. 280/266
D608,250 S * 1/2010 Van De Vrie D12/112

* cited by examiner

Primary Examiner — Linda G. Brooks

(57) **CLAIM**

The ornamental design for an adult tricycle, as shown and described.

DESCRIPTION

FIG. 1 is a perspective view showing my new design for an adult tricycle.

FIG. 2 is a right side elevational view thereof, the left side elevational view being a mirror image thereof.

FIG. 3 is a front elevational view thereof.

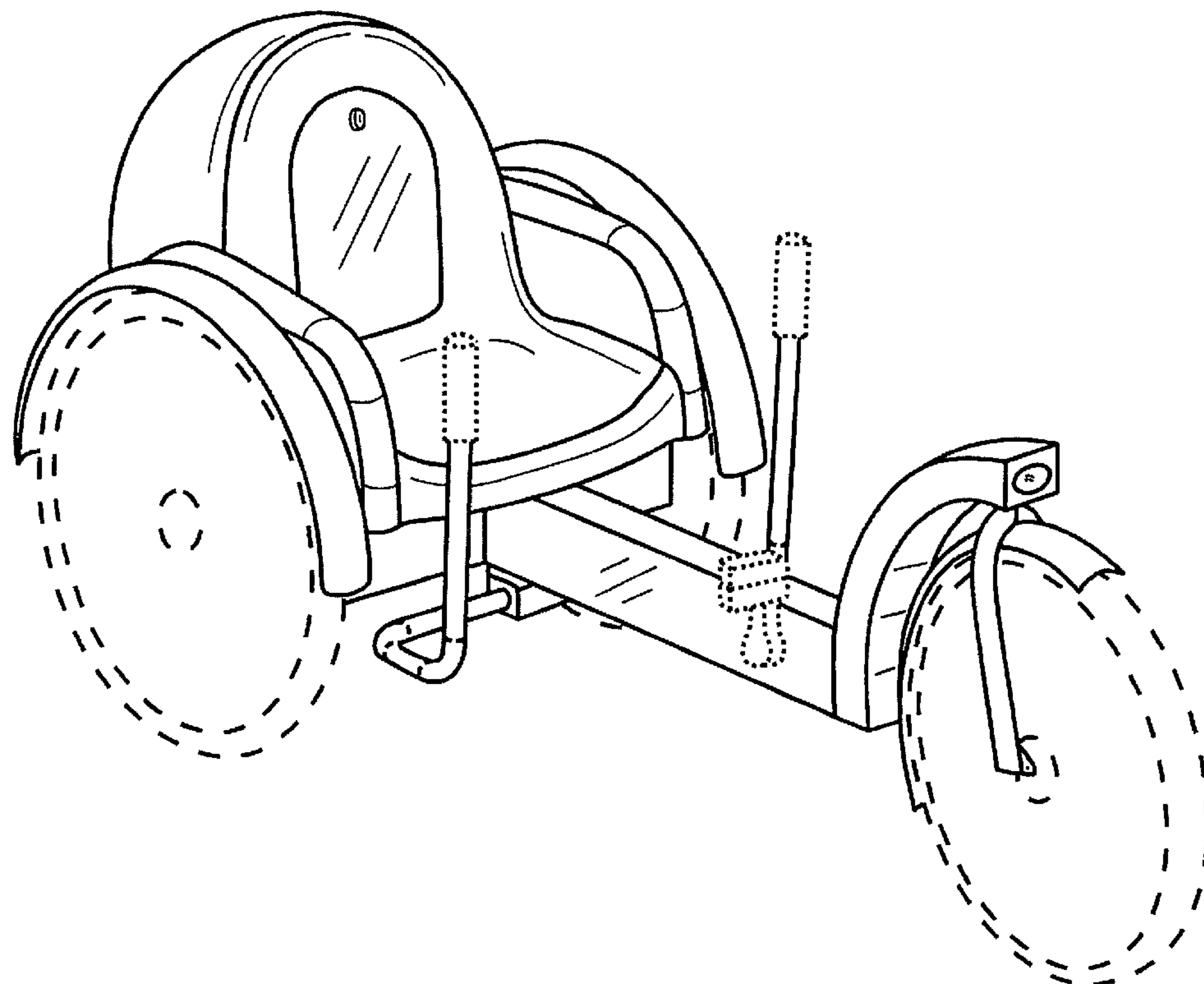
FIG. 4 is a rear elevational view thereof.

FIG. 5 is a top plan view thereof; and,

FIG. 6 is a bottom plan view thereof.

The portions of the adult tricycle shown in broken lines form no part of the claimed design.

1 Claim, 6 Drawing Sheets



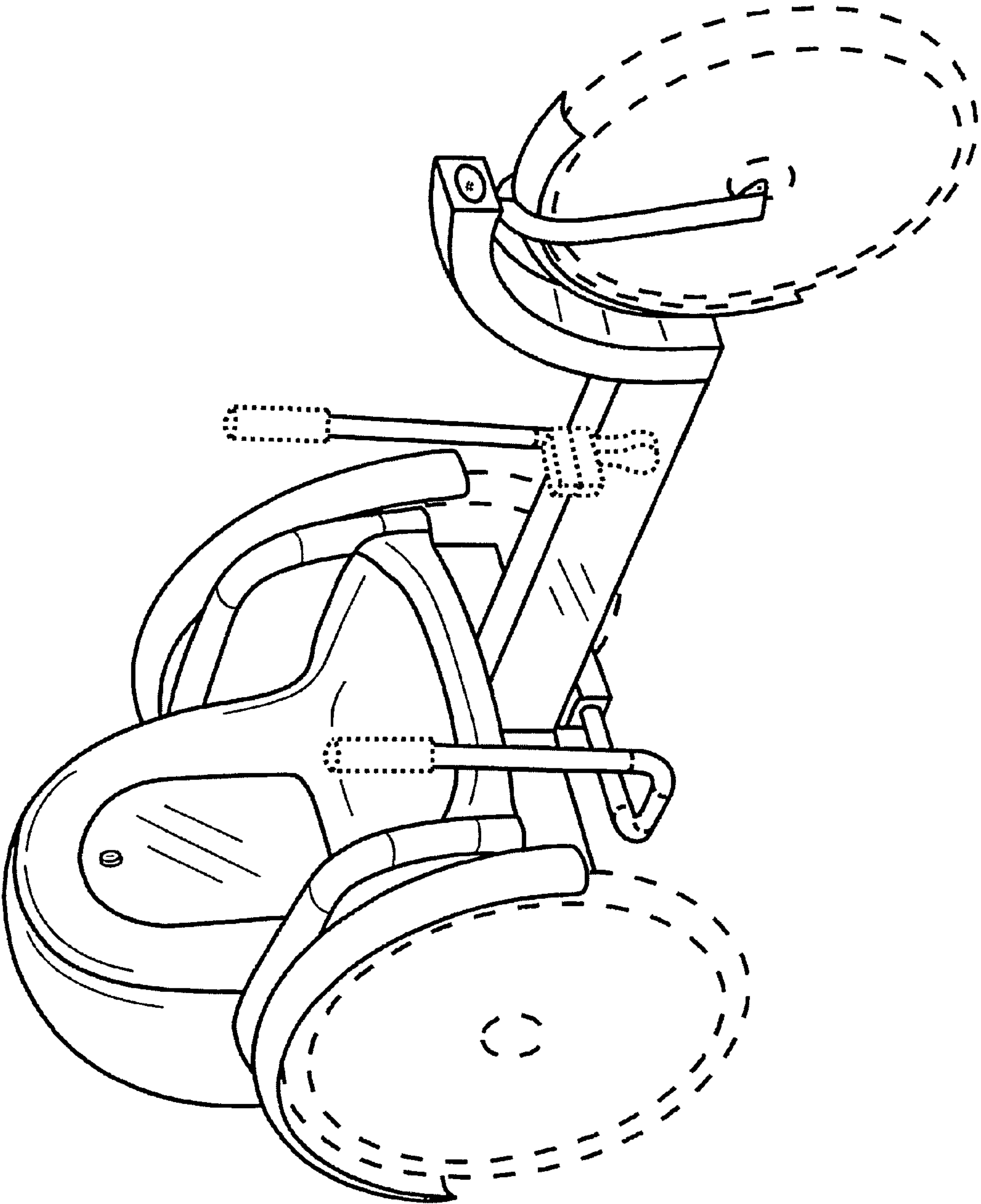


Fig. 1

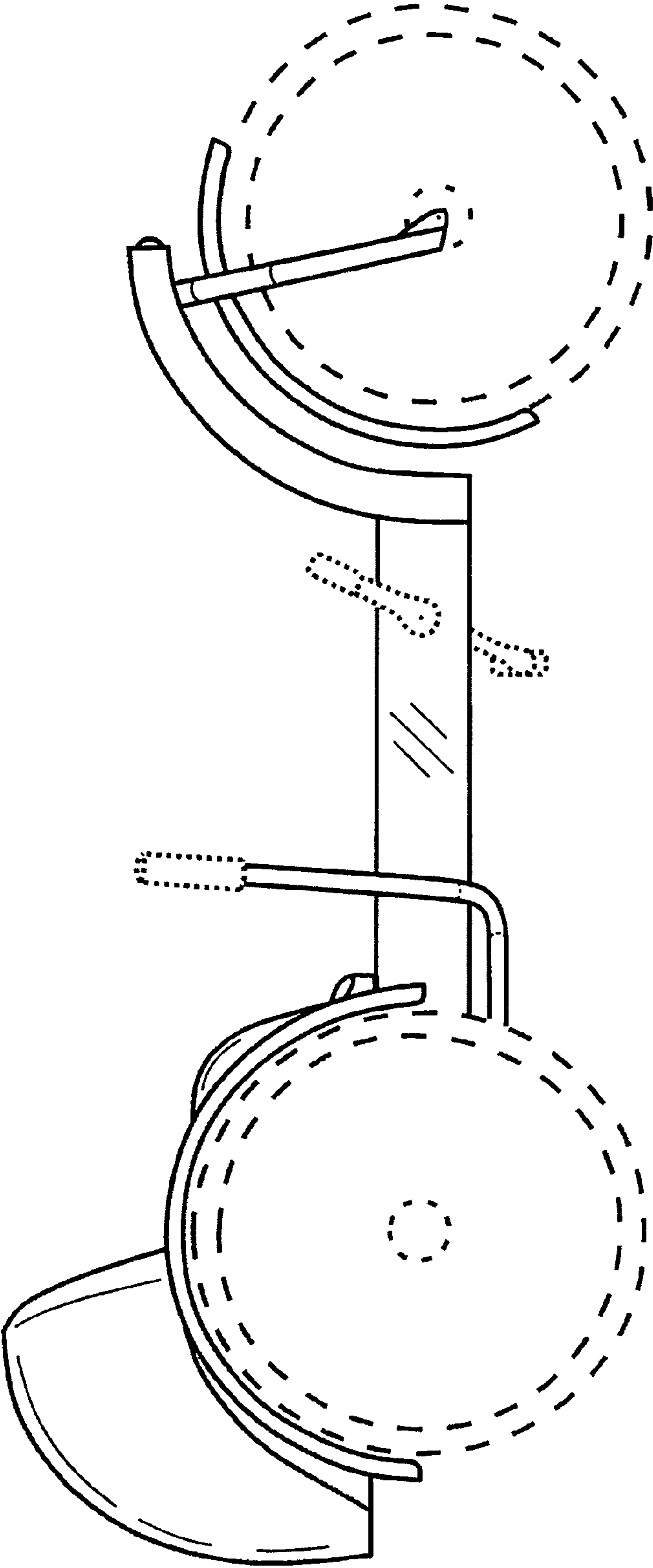


Fig. 2

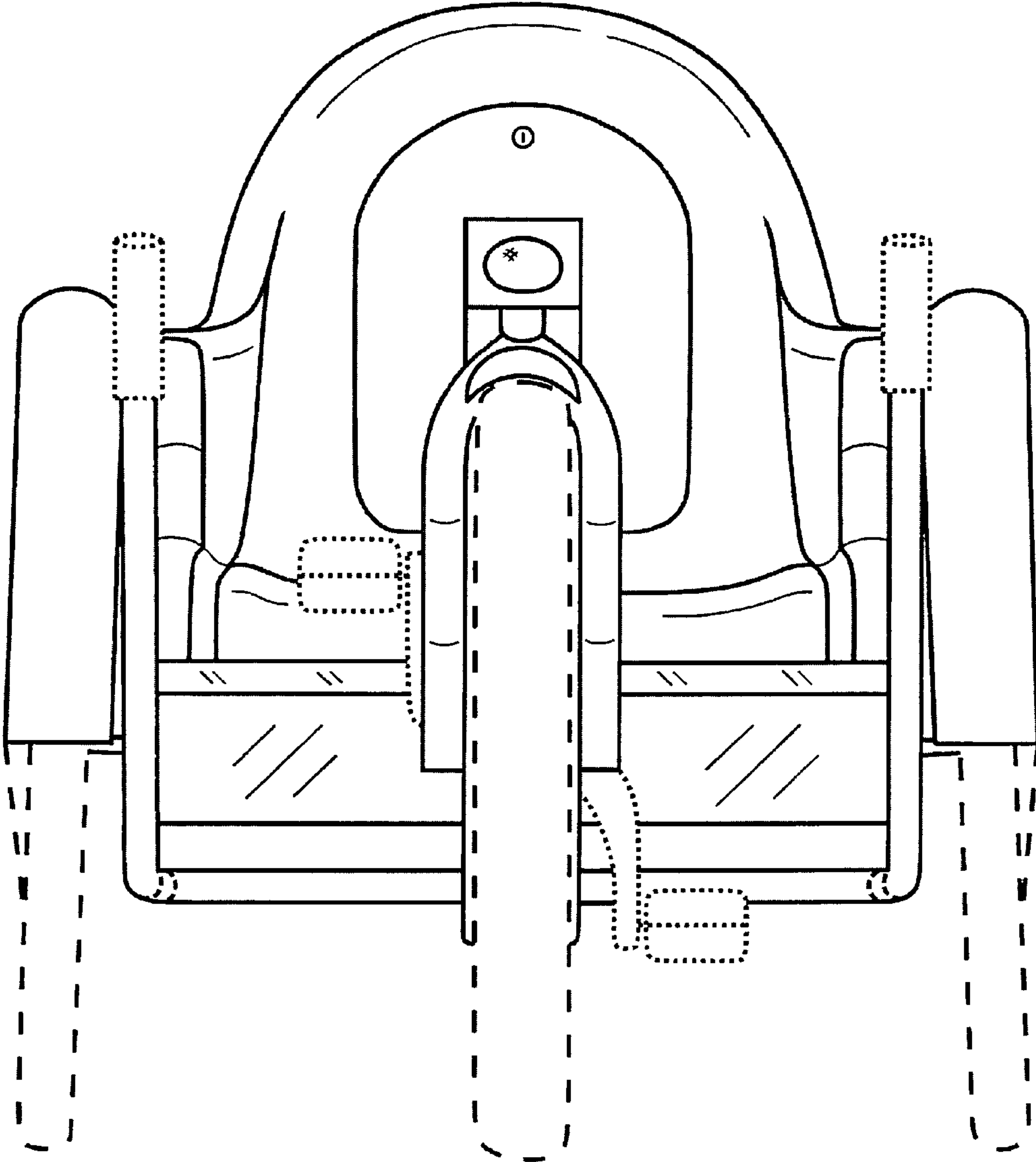


Fig. 3

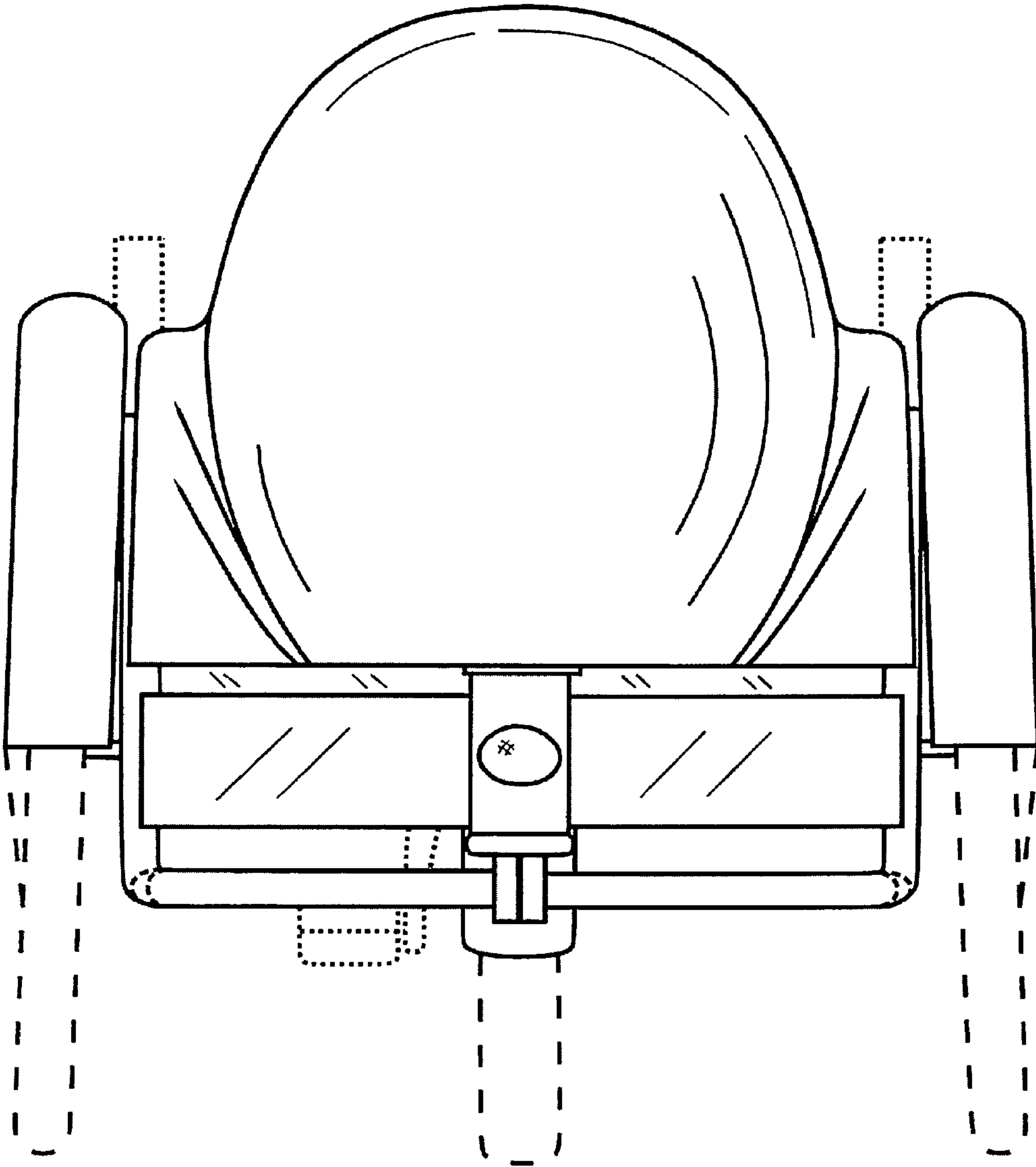


Fig. 4

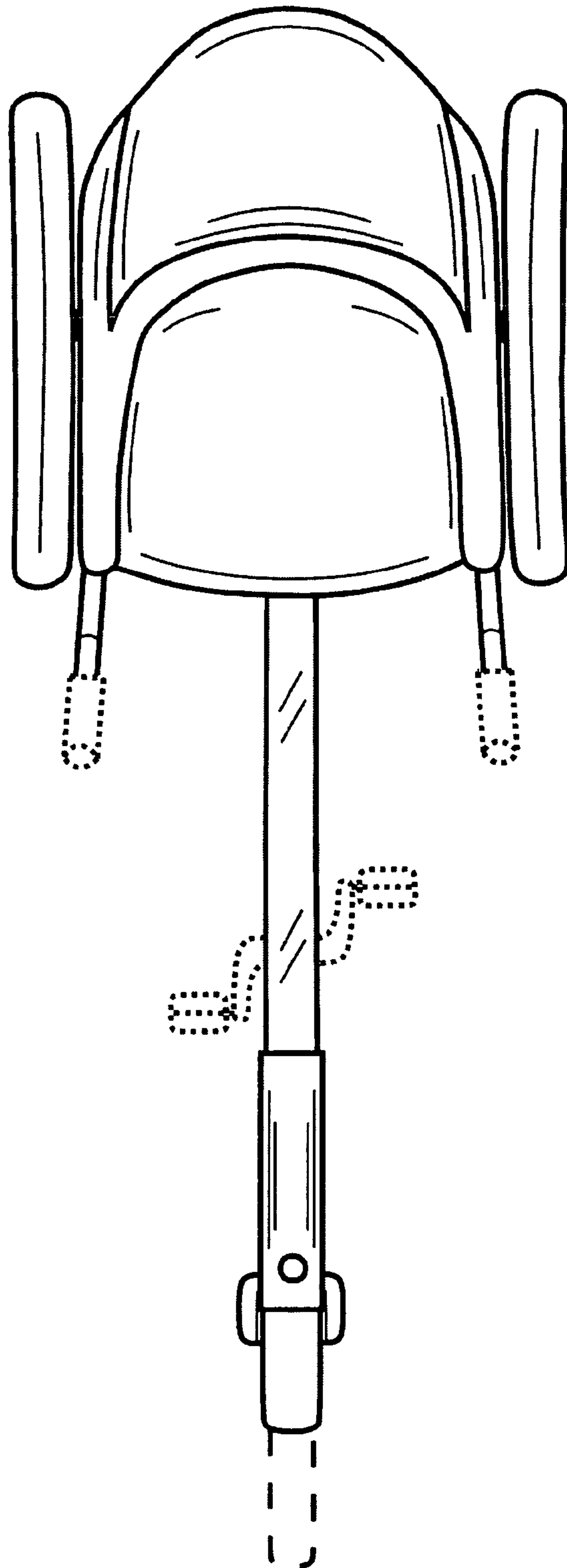


Fig. 5

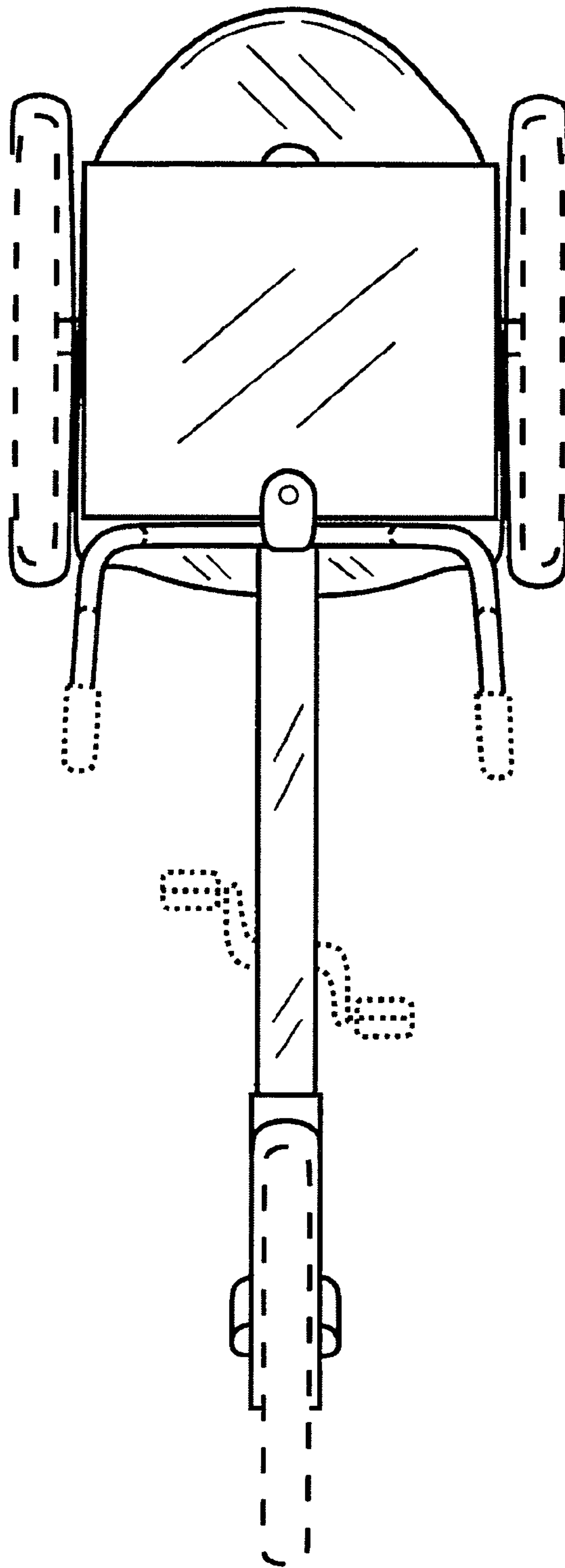


Fig. 6