



US00D678124S

(12) **United States Design Patent**
Canni et al.

(10) **Patent No.:** **US D678,124 S**
(45) **Date of Patent:** **** Mar. 19, 2013**

(54) **REVERSE TRIKE**

(75) Inventors: **Adam J. Canni**, Fleming Island, FL (US); **Clyde T. Sliger**, Culpeper, VA (US); **Merrill C. Hall**, Culpeper, VA (US)

(73) Assignee: **Tanom Motors, LLC**, Culpeper, VA (US)

(**) Term: **14 Years**

(21) Appl. No.: **29/405,222**

(22) Filed: **Oct. 31, 2011**

(51) **LOC (9) Cl.** **12-08**

(52) **U.S. Cl.** **D12/85**

(58) **Field of Classification Search** D12/1, D12/82, 85, 86, 88; D21/424, 433, 434; 296/181.1, 181.5; 180/210, 218
See application file for complete search history.

(56) **References Cited**

U.S. PATENT DOCUMENTS

| | | | | |
|---------------|---------|-----------------|-------|-----------|
| D55,440 S * | 6/1920 | Smith | | D12/85 |
| D94,847 S | 3/1935 | Martin | | |
| D248,461 S * | 7/1978 | Edmonson | | D12/85 |
| D260,871 S * | 9/1981 | Cargile | | D12/85 |
| D262,871 S * | 2/1982 | Powers | | D12/85 |
| 4,453,763 A | 6/1984 | Richards | | |
| D274,995 S * | 8/1984 | Richards et al. | | D12/85 |
| D283,113 S * | 3/1986 | Stollery | | D12/85 |
| 4,583,613 A | 4/1986 | Nakayama | | |
| 4,671,563 A * | 6/1987 | Shakespear | | 296/181.1 |
| 5,806,622 A * | 9/1998 | Murphy | | 180/210 |
| D407,348 S * | 3/1999 | Riley | | D12/85 |
| 5,960,901 A * | 10/1999 | Hanagan | | 180/210 |
| 6,015,022 A * | 1/2000 | Thuliez | | 180/210 |
| D424,979 S * | 5/2000 | Hanagan et al. | | D12/85 |
| D427,548 S * | 7/2000 | Sacco et al. | | D12/85 |
| D449,018 S * | 10/2001 | Musser | | D12/85 |
| D469,037 S * | 1/2003 | Hanagan et al. | | D12/85 |
| D469,386 S * | 1/2003 | Hanagan et al. | | D12/85 |
| 6,523,634 B1 | 2/2003 | Gagnon et al. | | |
| 6,651,764 B2 | 11/2003 | Fournier et al. | | |

| | | | | |
|--------------|---------|----------------|-------|--------|
| D485,788 S | 1/2004 | Guay et al. | | |
| 6,708,579 B2 | 3/2004 | Punko | | |
| 6,948,581 B2 | 9/2005 | Fecteau et al. | | |
| 7,377,295 B2 | 5/2008 | Byers et al. | | |
| 7,464,781 B2 | 12/2008 | Guay et al. | | |
| D584,188 S * | 1/2009 | Jenkins et al. | | D12/85 |

(Continued)

OTHER PUBLICATIONS

Noah Joseph, "Part Harley, Part Hot Rod, All Crazy," [retrieved from the Internet], Campagna V13R [retrieved on Oct. 12, 2012], Oct. 27, 2011.

(Continued)

Primary Examiner — Philip S Hyder

Assistant Examiner — John T Applewhite

(74) *Attorney, Agent, or Firm* — Cooley LLP

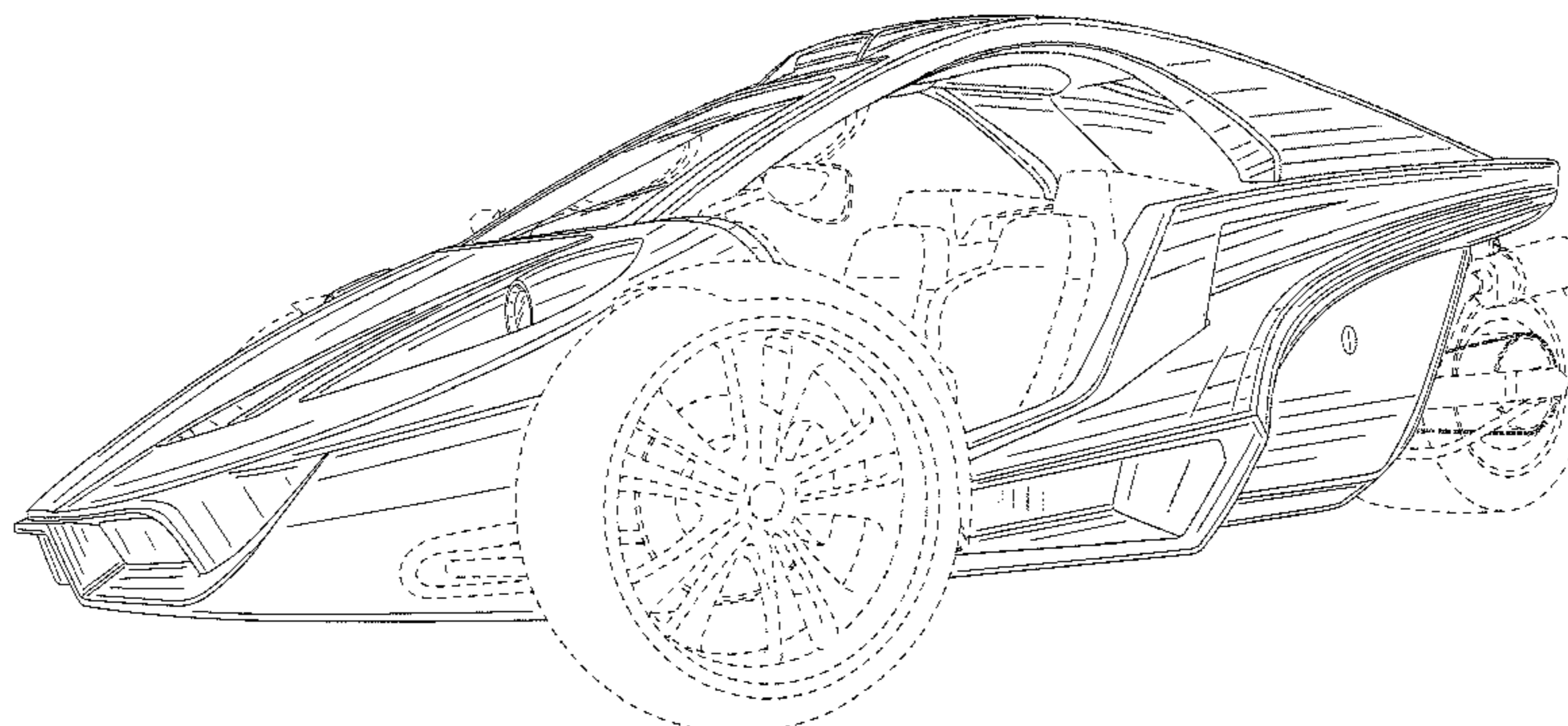
(57) **CLAIM**

The ornamental design for a reverse trike, as shown and described.

DESCRIPTION

FIG. 1 is a front left perspective view of the reverse trike according to an embodiment;
FIG. 2 is a rear left perspective view of the reverse trike illustrated in FIG. 1;
FIG. 3 is a left side view of the reverse trike illustrated in FIG. 1, the right side view being a mirror image of the left side view;
FIG. 4 is a front end view of the reverse trike illustrated in FIG. 1;
FIG. 5 is a rear view of the reverse trike illustrated in FIG. 1; and,
FIG. 6 is a top view of the reverse trike illustrated in FIG. 1. The broken lines immediately adjacent the shaded areas represent the bounds of the claimed design while all other broken lines are directed to environment and are for illustrative purposes only; the broken lines form no part of the claimed design.

1 Claim, 6 Drawing Sheets



US D678,124 S

Page 2

U.S. PATENT DOCUMENTS

D589,844 S * 4/2009 Aube et al. D12/85
D592,547 S * 5/2009 Riley D12/85
D592,548 S * 5/2009 Aube et al. D12/85
D593,908 S * 6/2009 Longpre et al. D12/107
7,543,672 B2 6/2009 Codere et al.
7,571,787 B2 8/2009 Saiki
7,591,337 B2 9/2009 Suhre et al.
7,621,362 B2 11/2009 Ogawa et al.
D613,203 S * 4/2010 Geslin et al. D12/85
D626,032 S * 10/2010 Starr D12/85
D633,821 S * 3/2011 Hill et al. D12/85
D666,127 S * 8/2012 Nam D12/85

2007/0256882 A1 11/2007 Bedard et al.
2011/0006498 A1 1/2011 Mercier
2012/0241239 A1* 9/2012 Holroyd et al. 180/210

OTHER PUBLICATIONS

“*The street legal Pavement Predator*,” T-Rex 14R, Campagna, 2011.
“T-Rex: Three Wheeled Sports Car or Motorcycle,” [retrieved from the Internet] [retrieved on Sep. 18, 2012].
Search and Examination Report for Australian Patent Application No. 12130/2012, mailed Sep. 18, 2012.

* cited by examiner

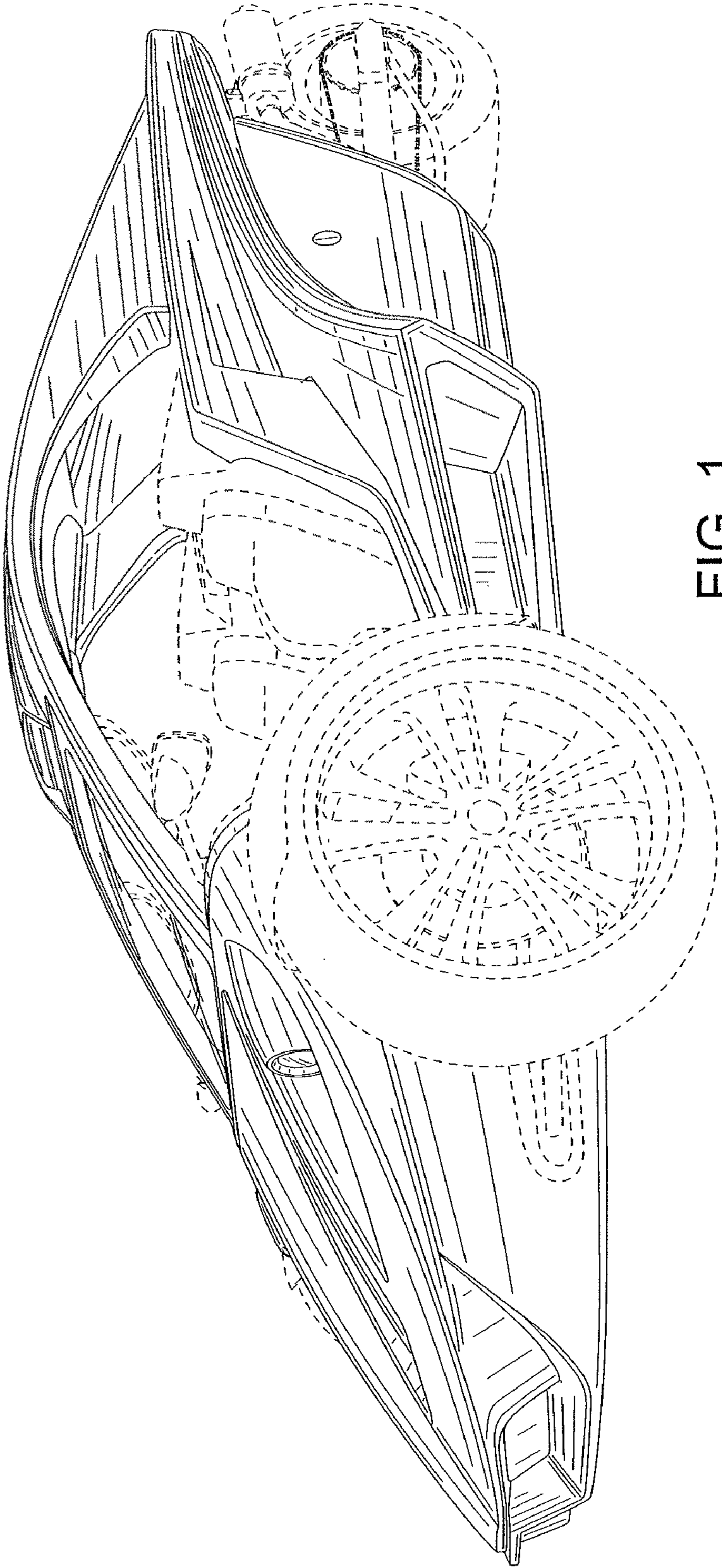


FIG. 1

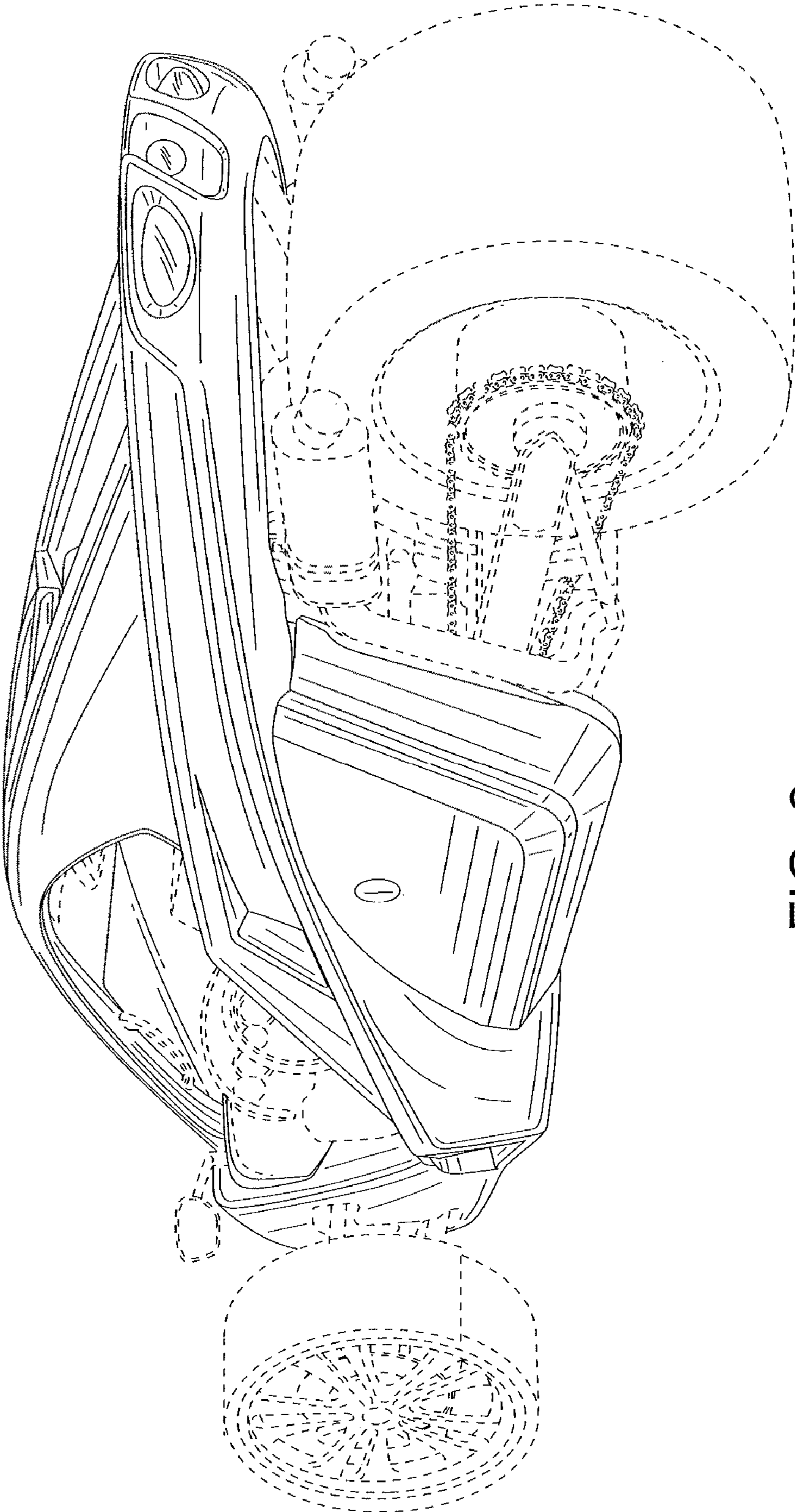


FIG. 2

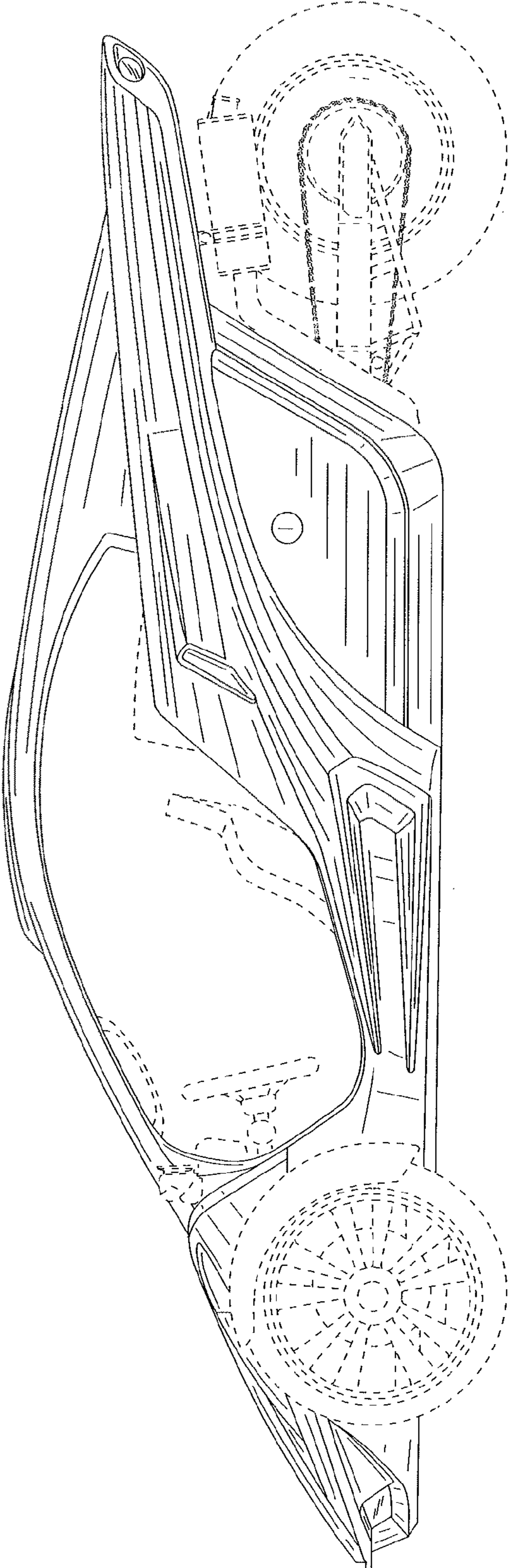


FIG. 3

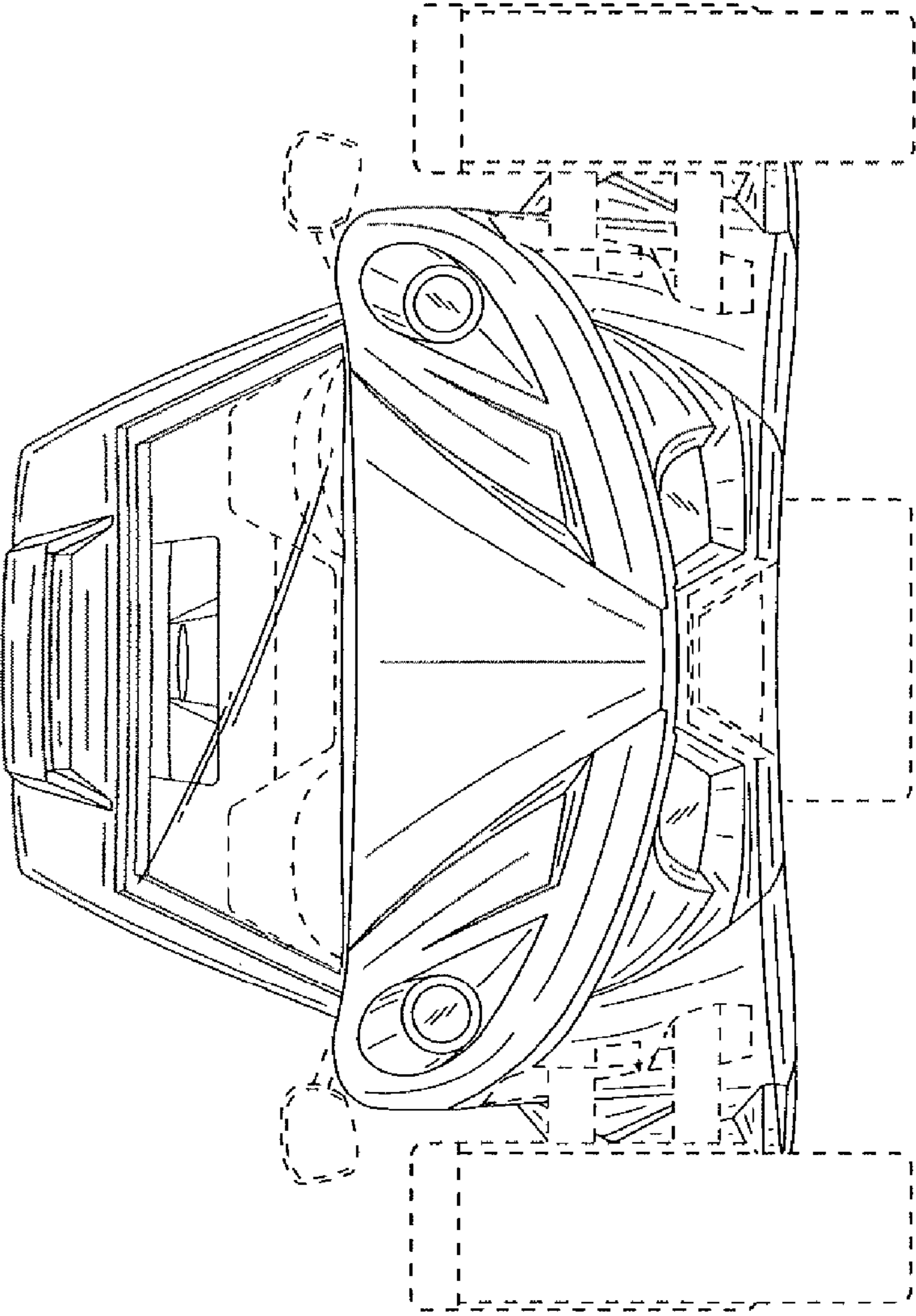


FIG. 4

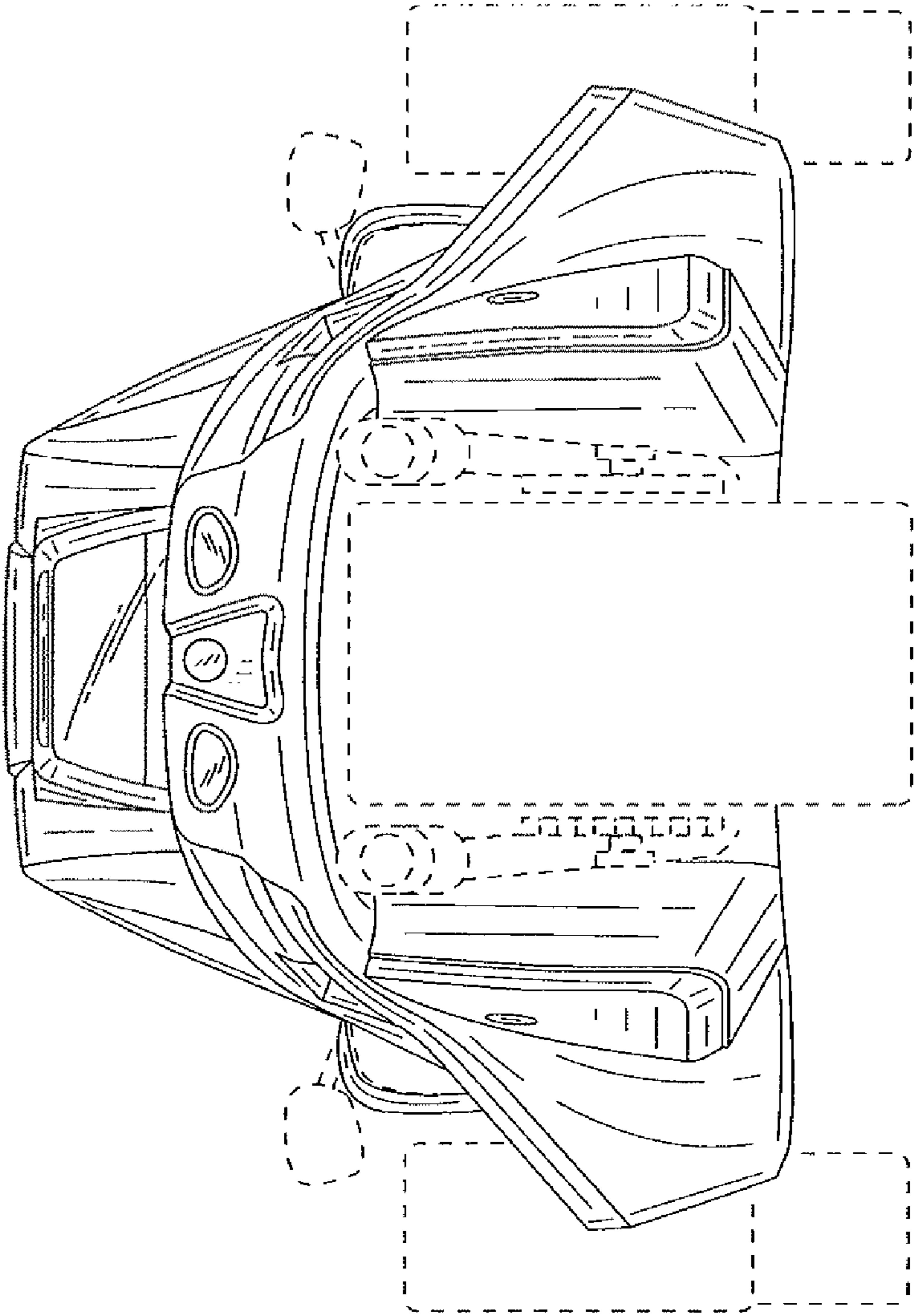


FIG. 5

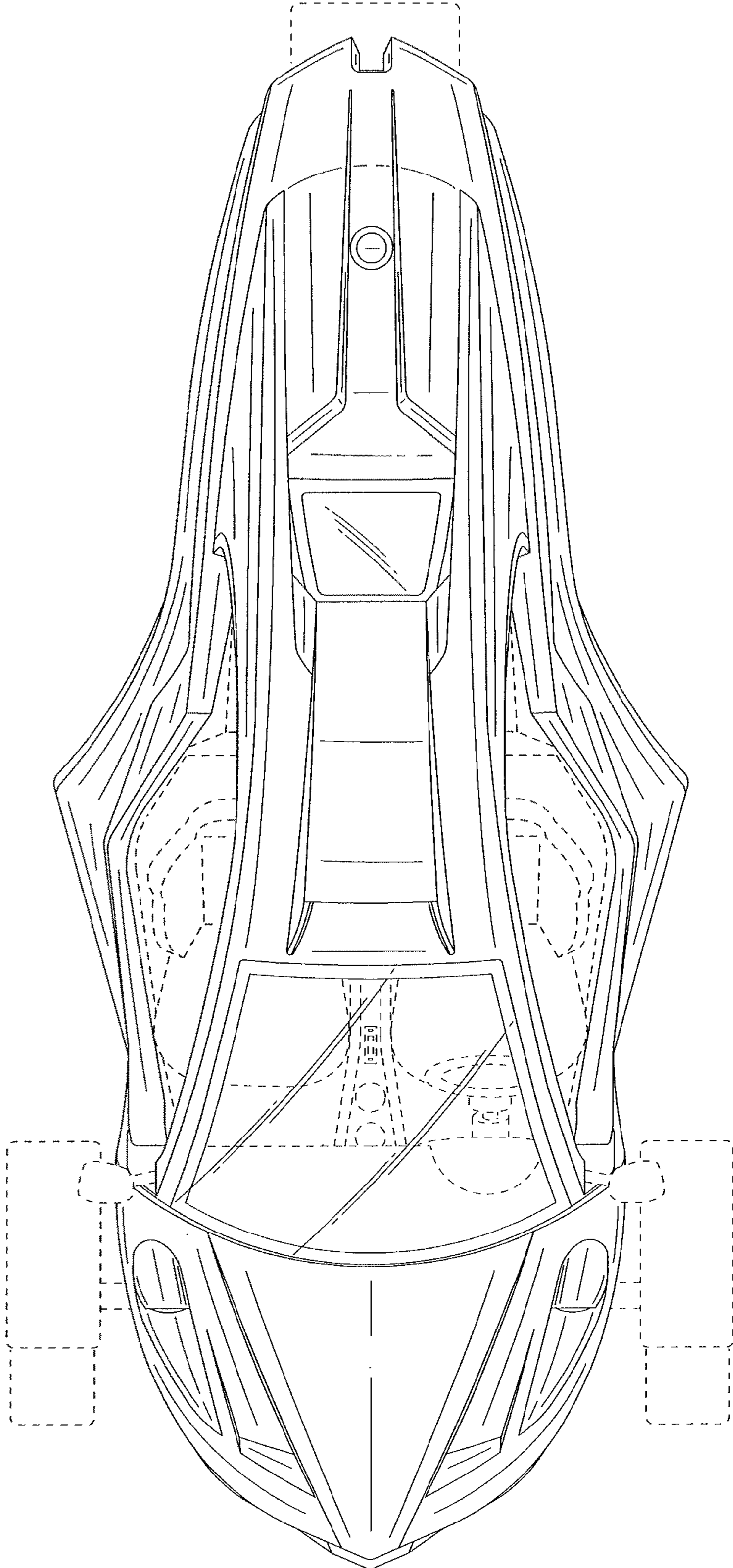


FIG. 6