

US00D678113S

(12) **United States Design Patent**
Jhaveri

(10) **Patent No.:** **US D678,113 S**

(45) **Date of Patent:** **** Mar. 19, 2013**

(54) **MULTIPLE FACET GEMSTONE**

(75) Inventor: **Aashish Jhaveri**, Chappaqua, NY (US)

(73) Assignee: **Rosy Blue, Inc.**, New York, NY (US)

(**) Term: **14 Years**

(21) Appl. No.: **29/417,788**

(22) Filed: **Apr. 9, 2012**

(51) **LOC (9) Cl.** **11-01**

(52) **U.S. Cl.** **D11/90**

(58) **Field of Classification Search** D11/1-2,
D11/26-29, 89-92; 63/26-28, 32

See application file for complete search history.

(56) **References Cited**

U.S. PATENT DOCUMENTS

D431,011 S *	9/2000	Wolf	D11/90
D440,902 S *	4/2001	Wolf	D11/90
D459,675 S *	7/2002	Wolf	D11/90
D463,316 S *	9/2002	Wolf	D11/90
D471,484 S *	3/2003	Atlass	D11/90
D513,478 S *	1/2006	Devash	D11/90
D611,379 S *	3/2010	So	D11/90
D640,951 S *	7/2011	Parikh	D11/90

D653,154 S * 1/2012 Shah D11/90

* cited by examiner

Primary Examiner — Ralf Seifert

(74) *Attorney, Agent, or Firm* — Ostrolenk Faber LLP

(57) **CLAIM**

The ornamental design for a multiple facet gemstone, as shown.

DESCRIPTION

FIG. 1 is a top view of a multiple facet gemstone showing my new design;

FIG. 2 is a bottom view thereof;

FIG. 3 is a front side view thereof;

FIG. 4 is a rear and right corner view thereof, the rear and left corner view being identical thereto;

FIG. 5 is a front and right corner view thereof, the left and right corner view being the mirror image thereof;

FIG. 6 is a perspective view thereof;

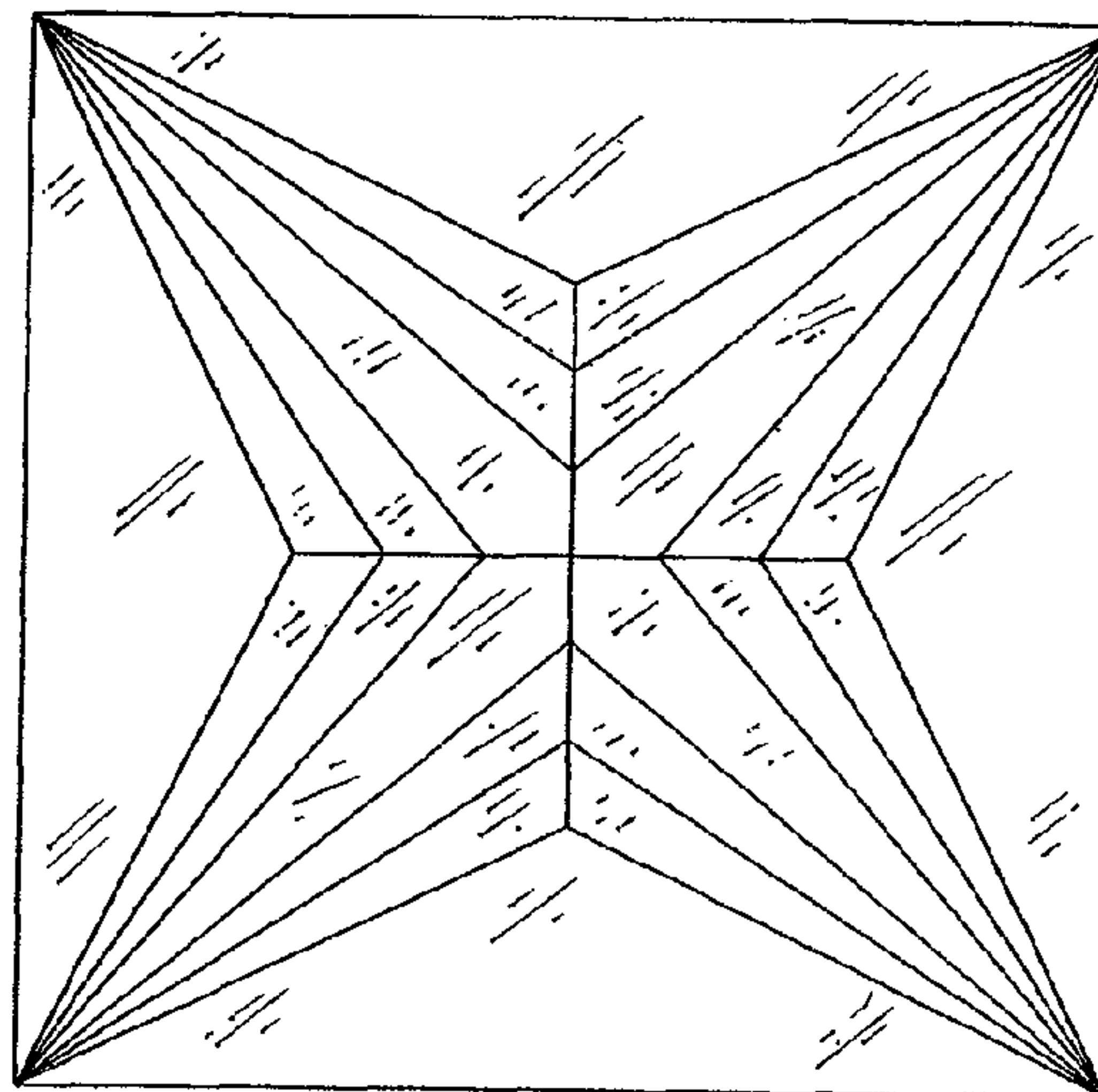
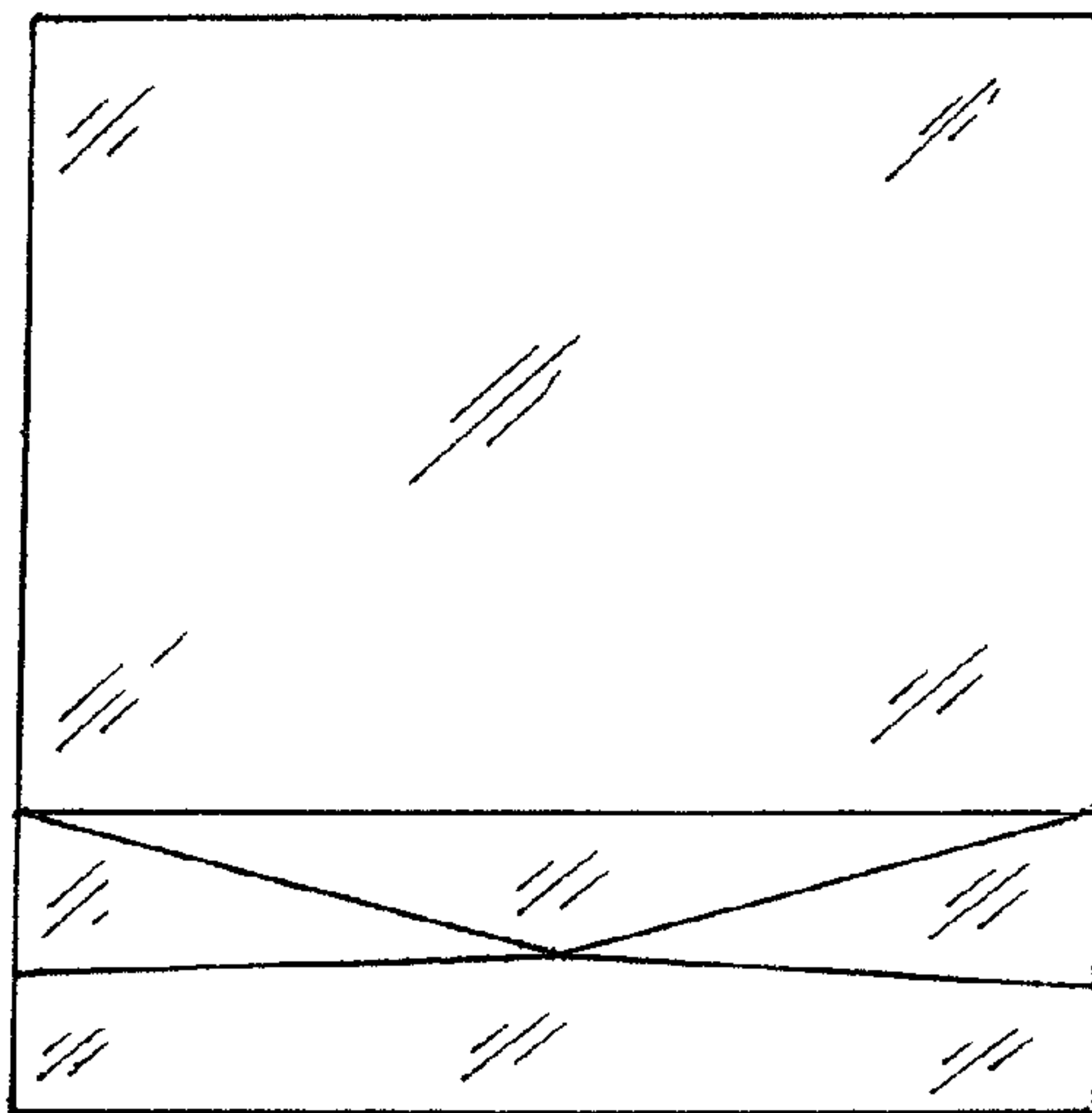
FIG. 7 is a left side view thereof,

FIG. 8 is a top side view thereof, shown in a position of use; and,

FIG. 9 is a bottom view thereof, shown in a position of use.

The broken line showing of gemstones in FIGS. 8 and 9 is included for the purpose of illustrating environmental matter and forms no part of the claimed design.

1 Claim, 6 Drawing Sheets



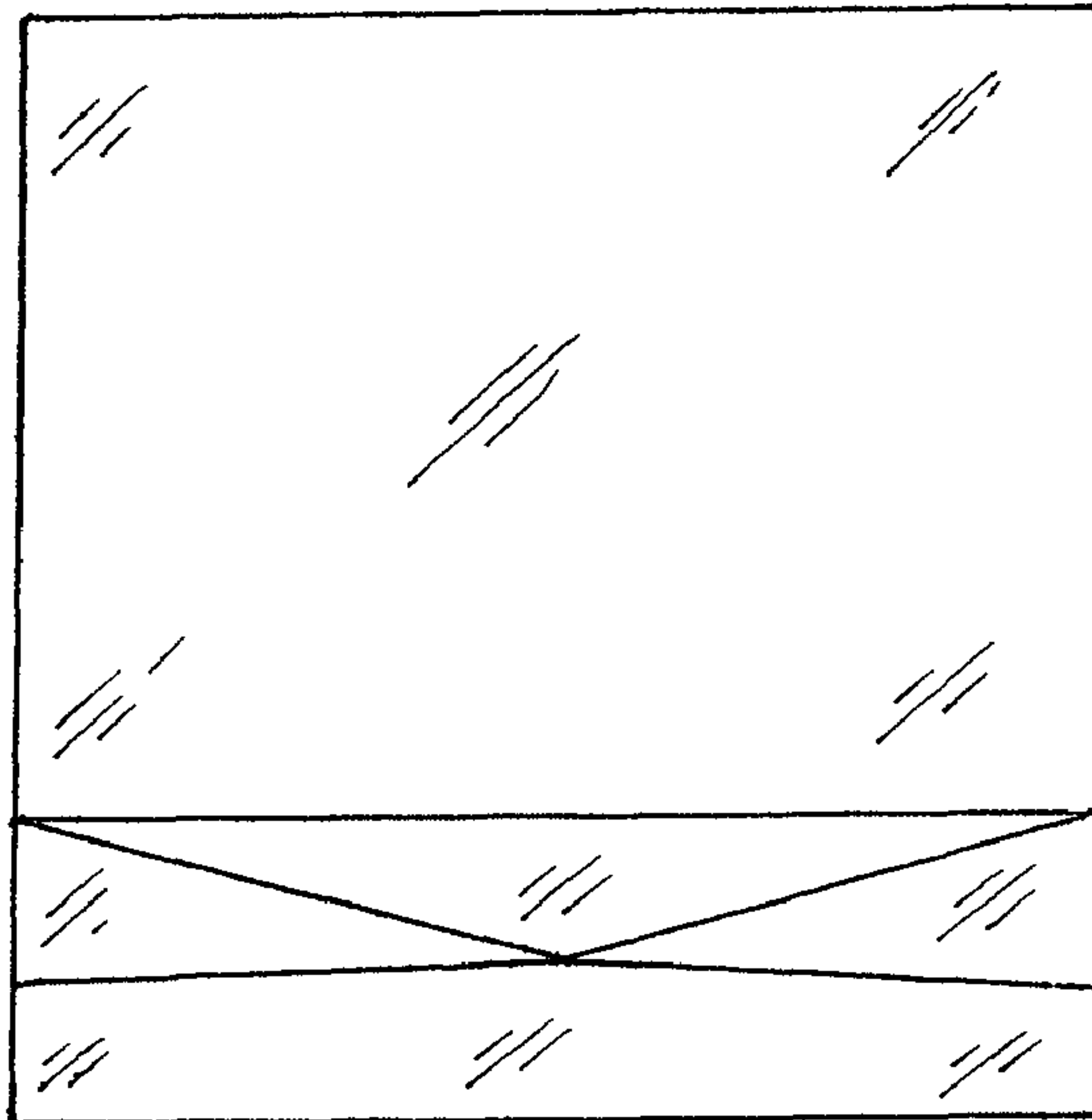


FIG. 1

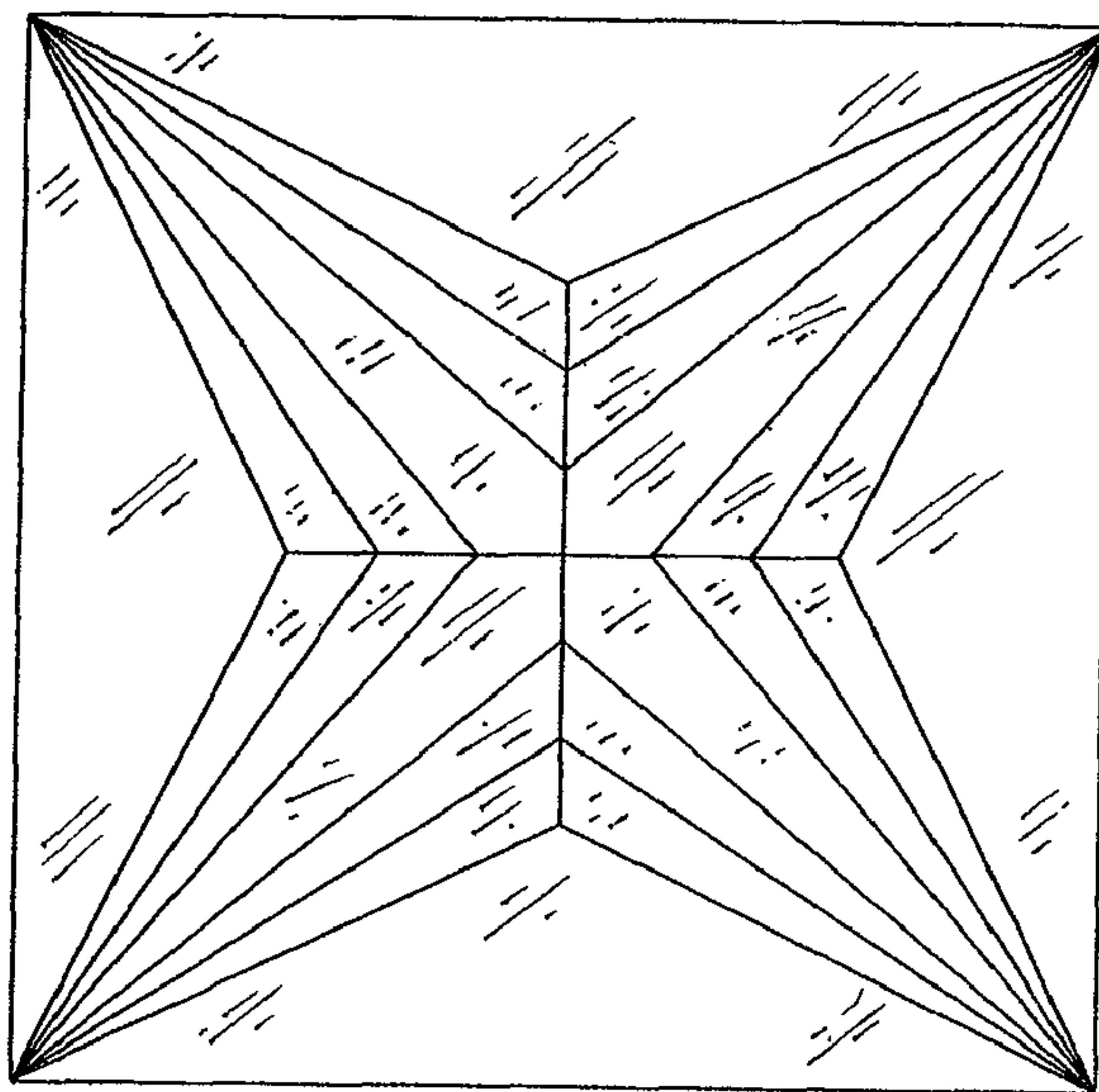


FIG. 2

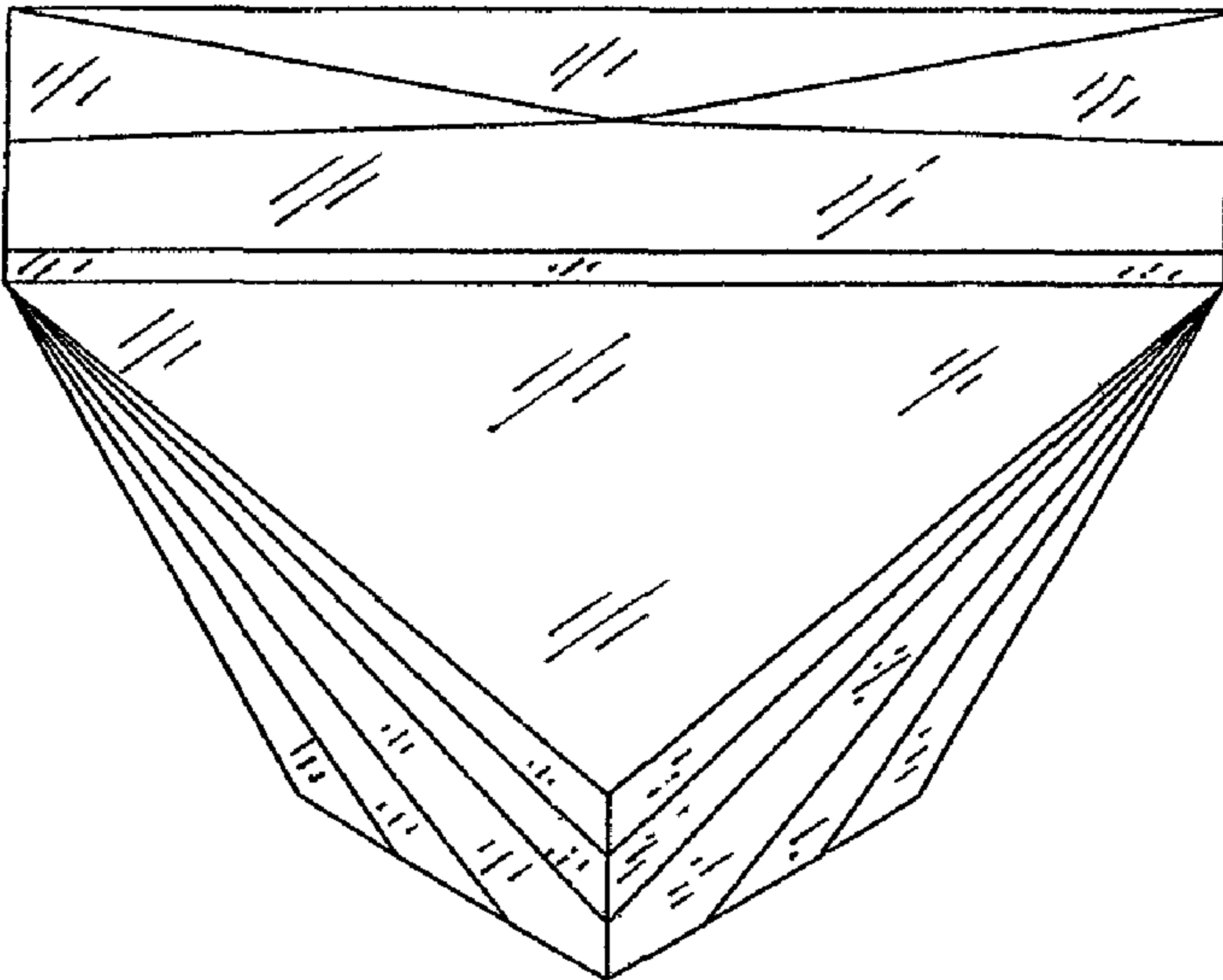


FIG. 3

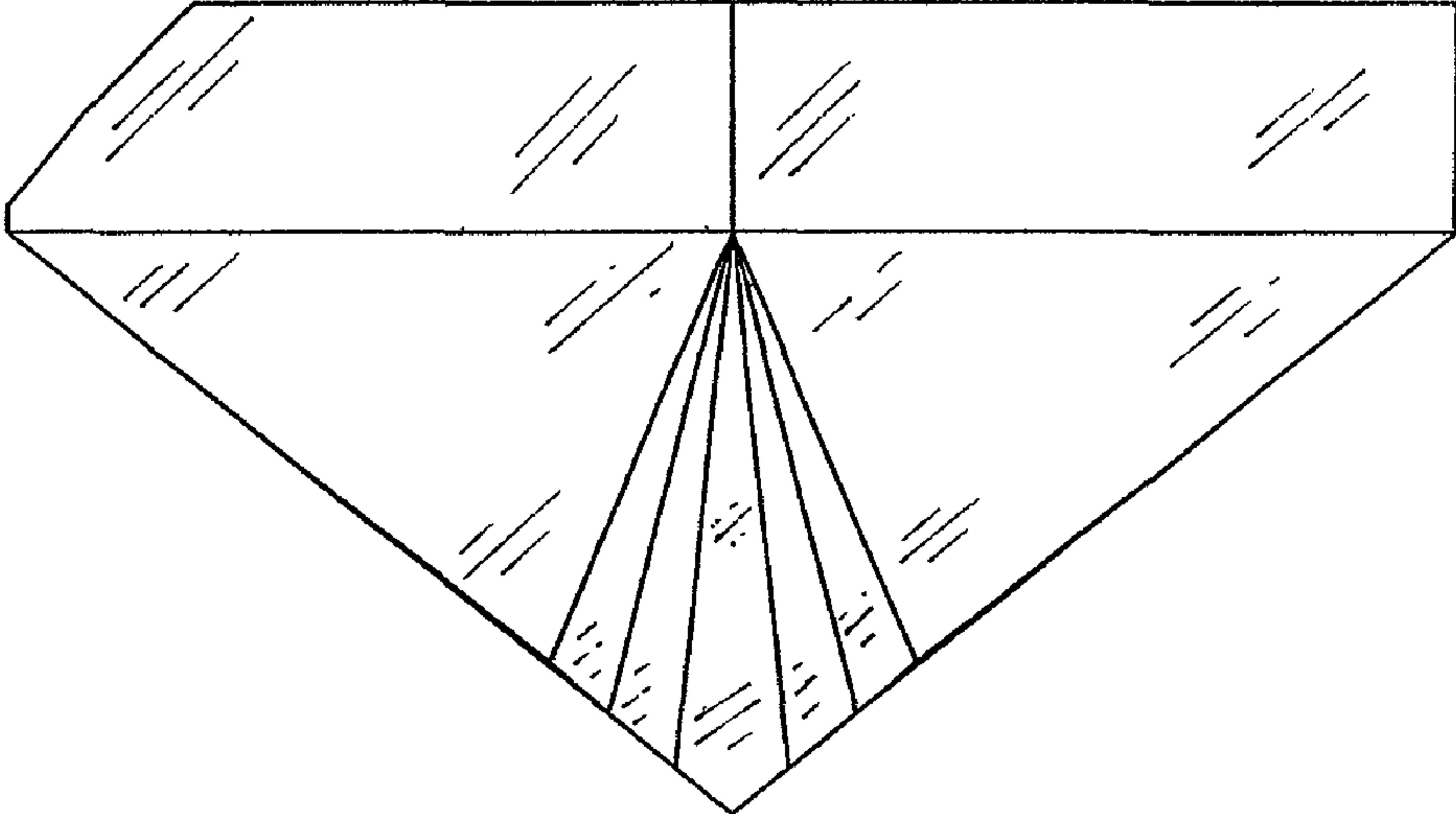


FIG. 4

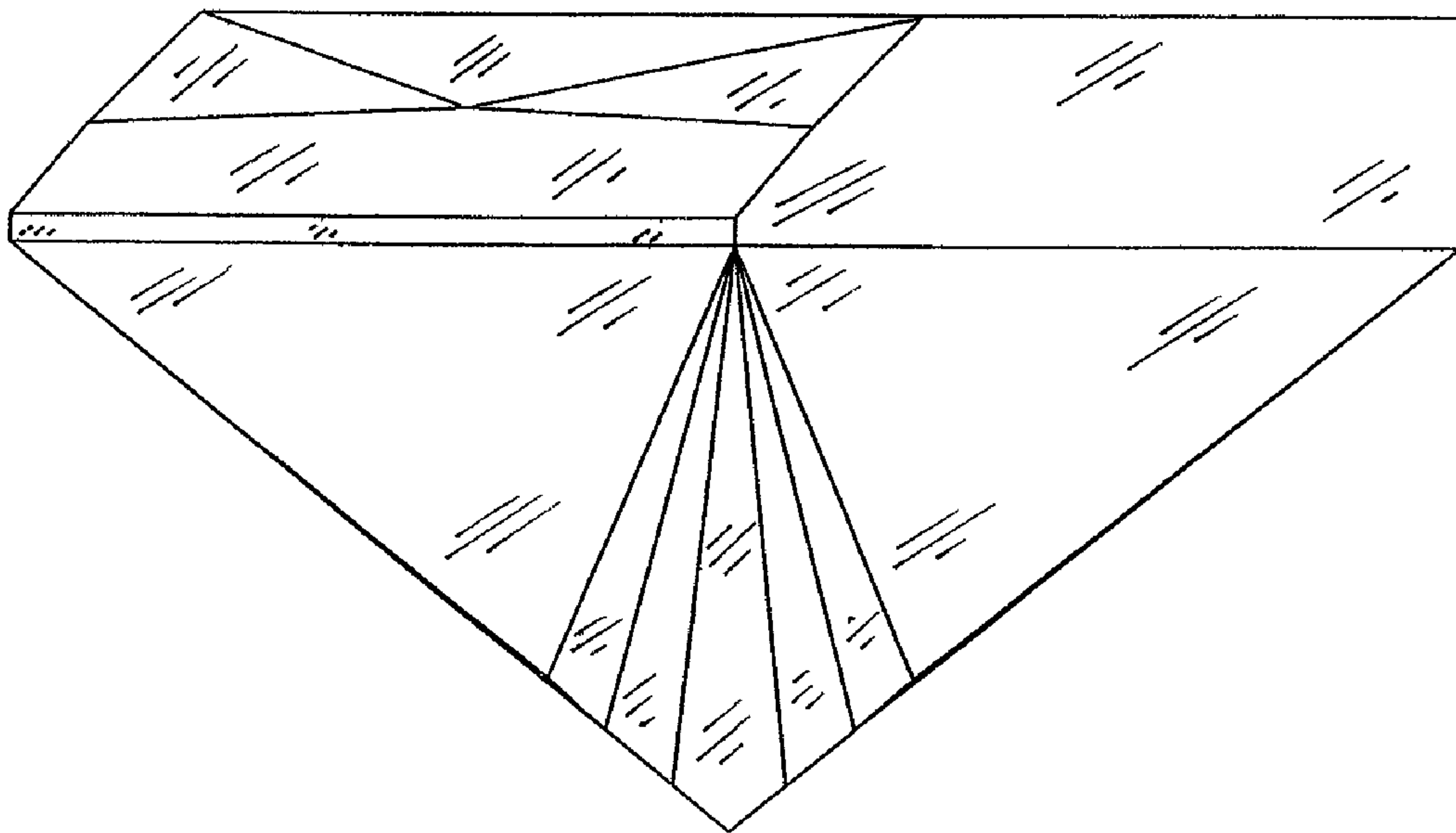


FIG. 5

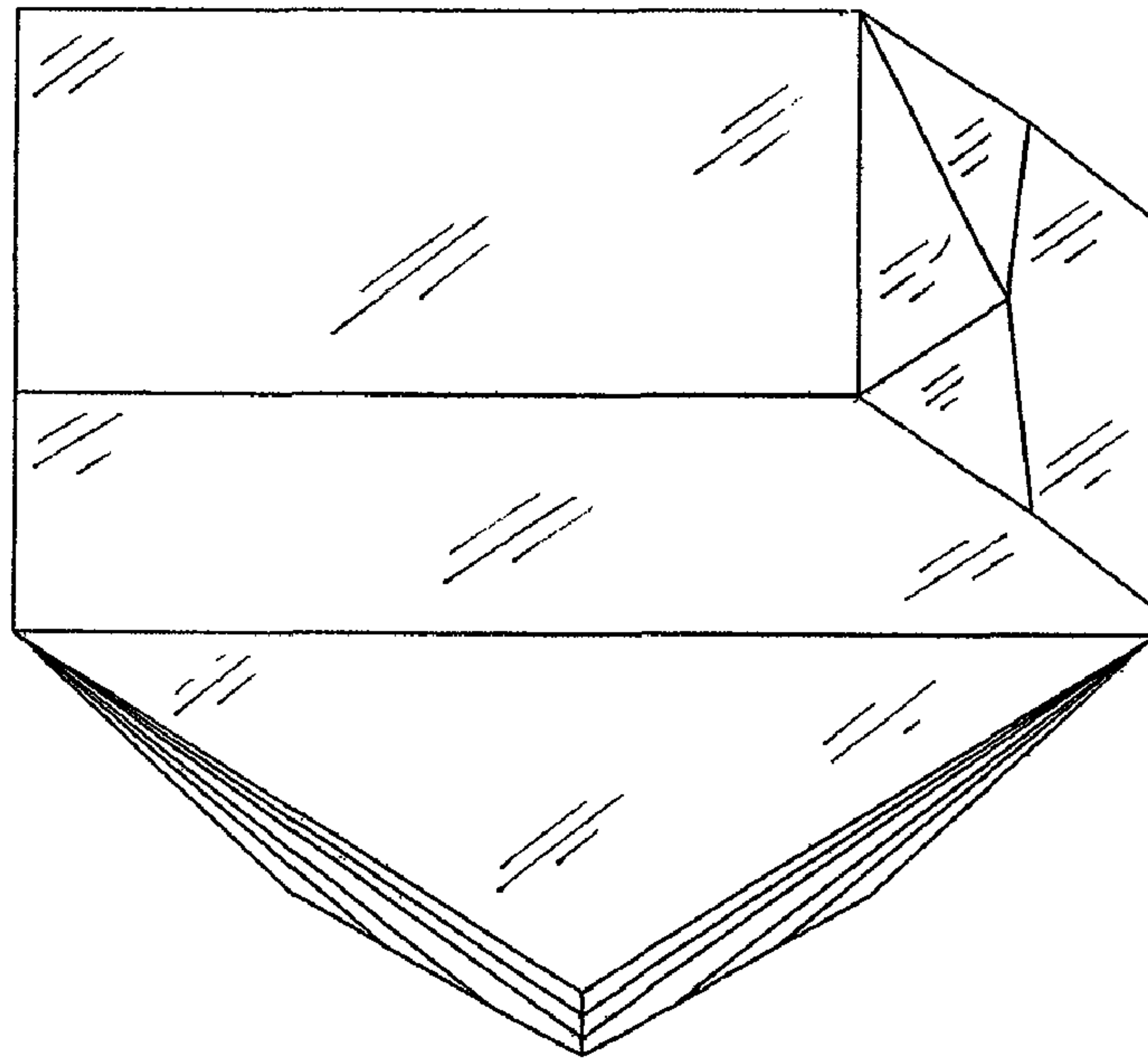


FIG. 6

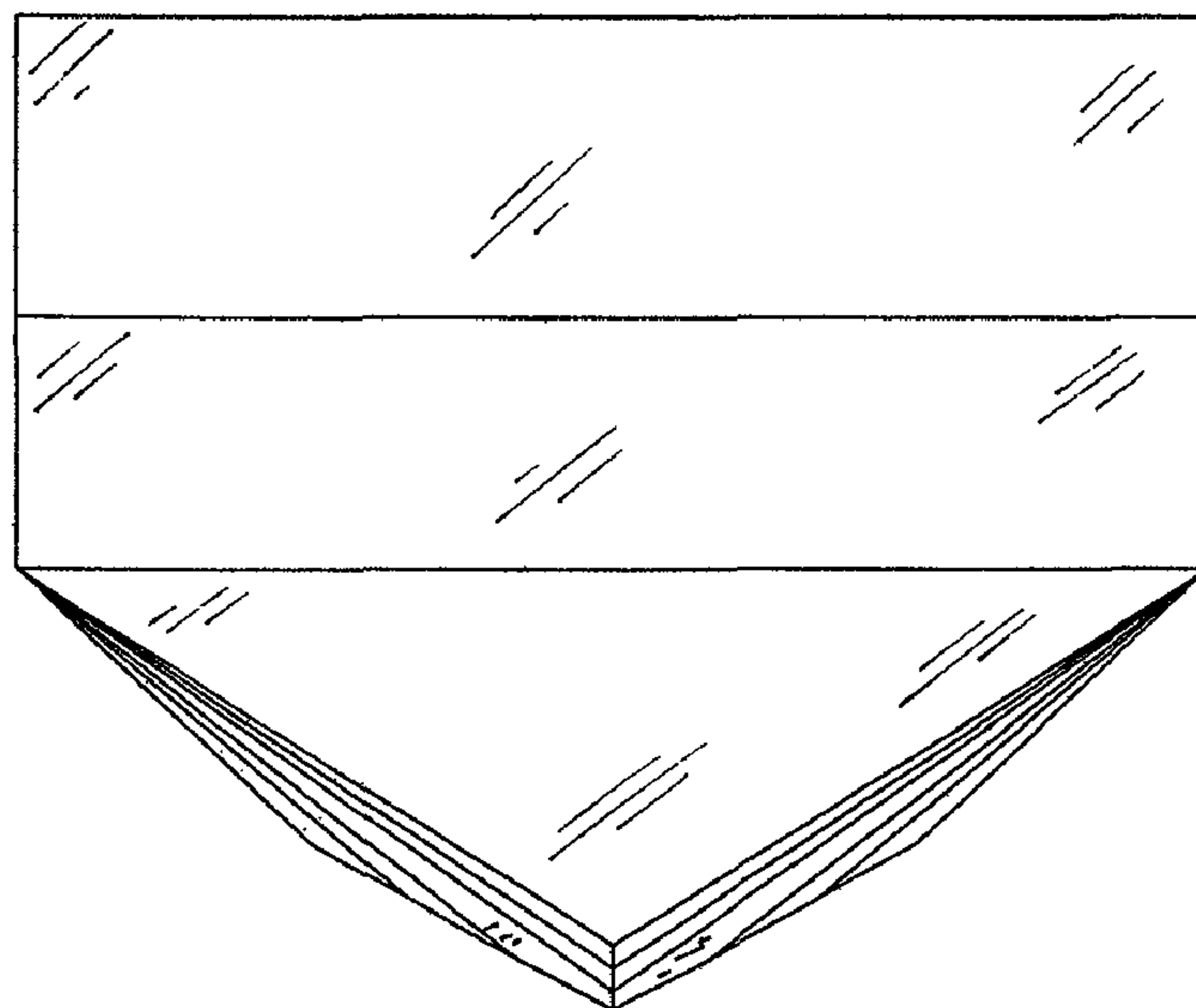


FIG. 7

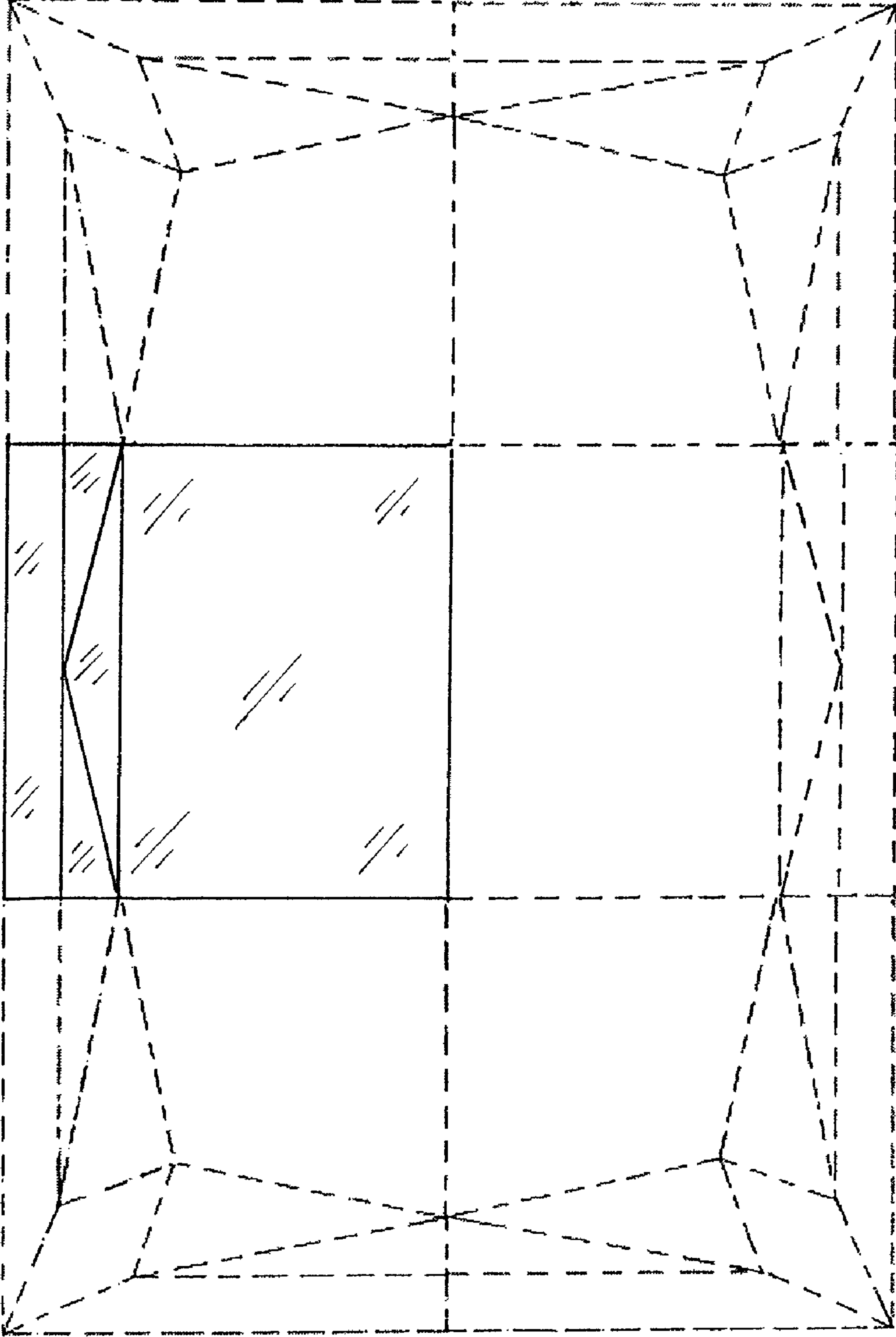


FIG. 8

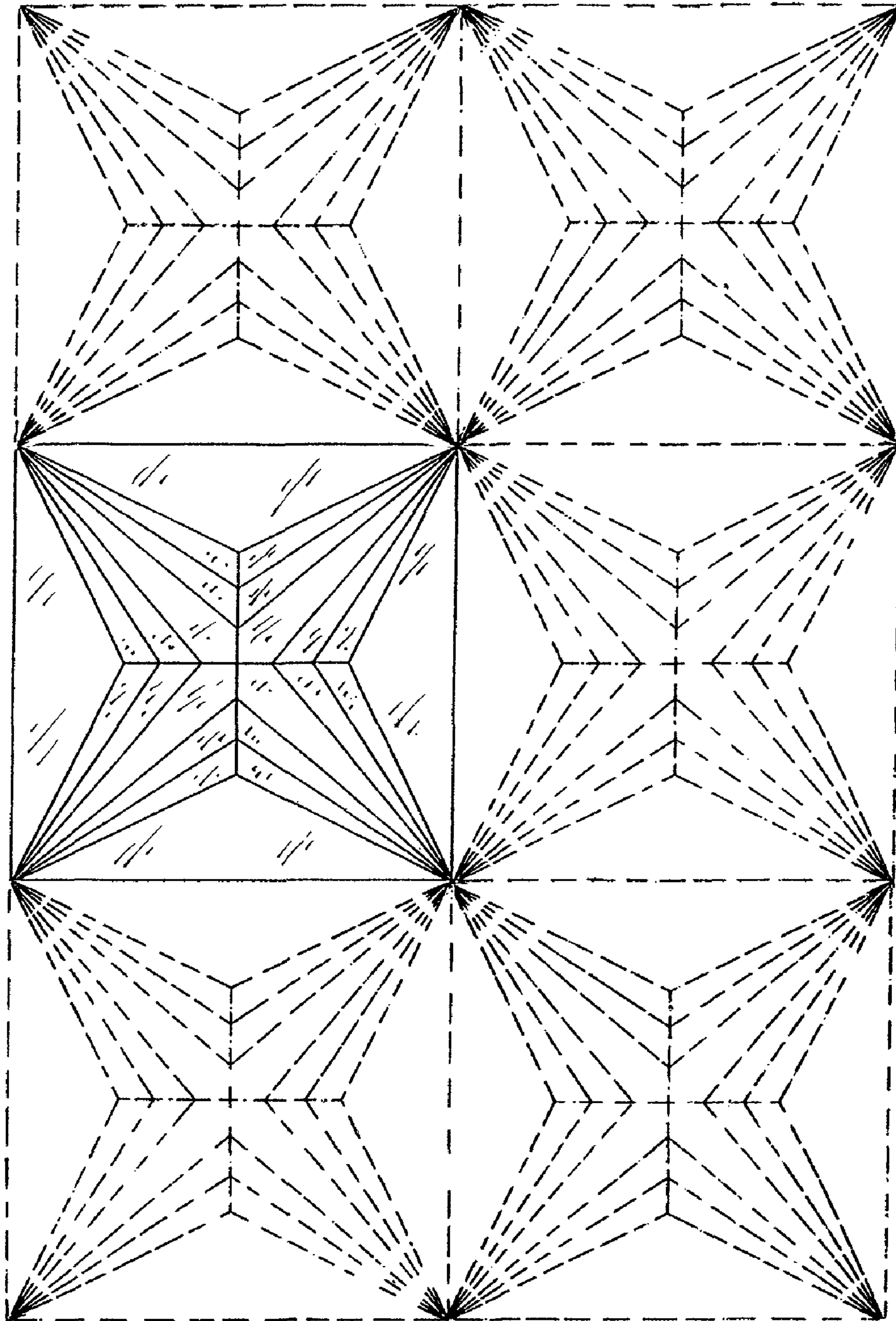


FIG. 9