



US00D678099S

(12) **United States Design Patent**  
**Lee**

(10) **Patent No.:** **US D678,099 S**  
(45) **Date of Patent:** **\*\* Mar. 19, 2013**

(54) **REFLECTIVE PAVEMENT MARKER**

(75) **Inventor:** **Hung-Chen Lee**, Taipei (TW)  
(73) **Assignee:** **Techeye Optics Technologies Co., Ltd.**,  
Taipei (TW)

(\*\*) **Term:** **14 Years**

(21) **Appl. No.:** **29/432,028**

(22) **Filed:** **Sep. 12, 2012**

(51) **LOC (9) Cl.** ..... **10-05**

(52) **U.S. Cl.** ..... **D10/113.1**

(58) **Field of Classification Search** ..... D10/111,  
D10/113.1-113.3; 404/16

See application file for complete search history.

(56) **References Cited**

U.S. PATENT DOCUMENTS

D490,335 S \* 5/2004 Attar ..... D10/113.1  
D520,394 S \* 5/2006 Li et al. .... D10/113.1  
D618,123 S \* 6/2010 Luscombe et al. .... D10/114.1

\* cited by examiner

*Primary Examiner* — George D Kirschbaum

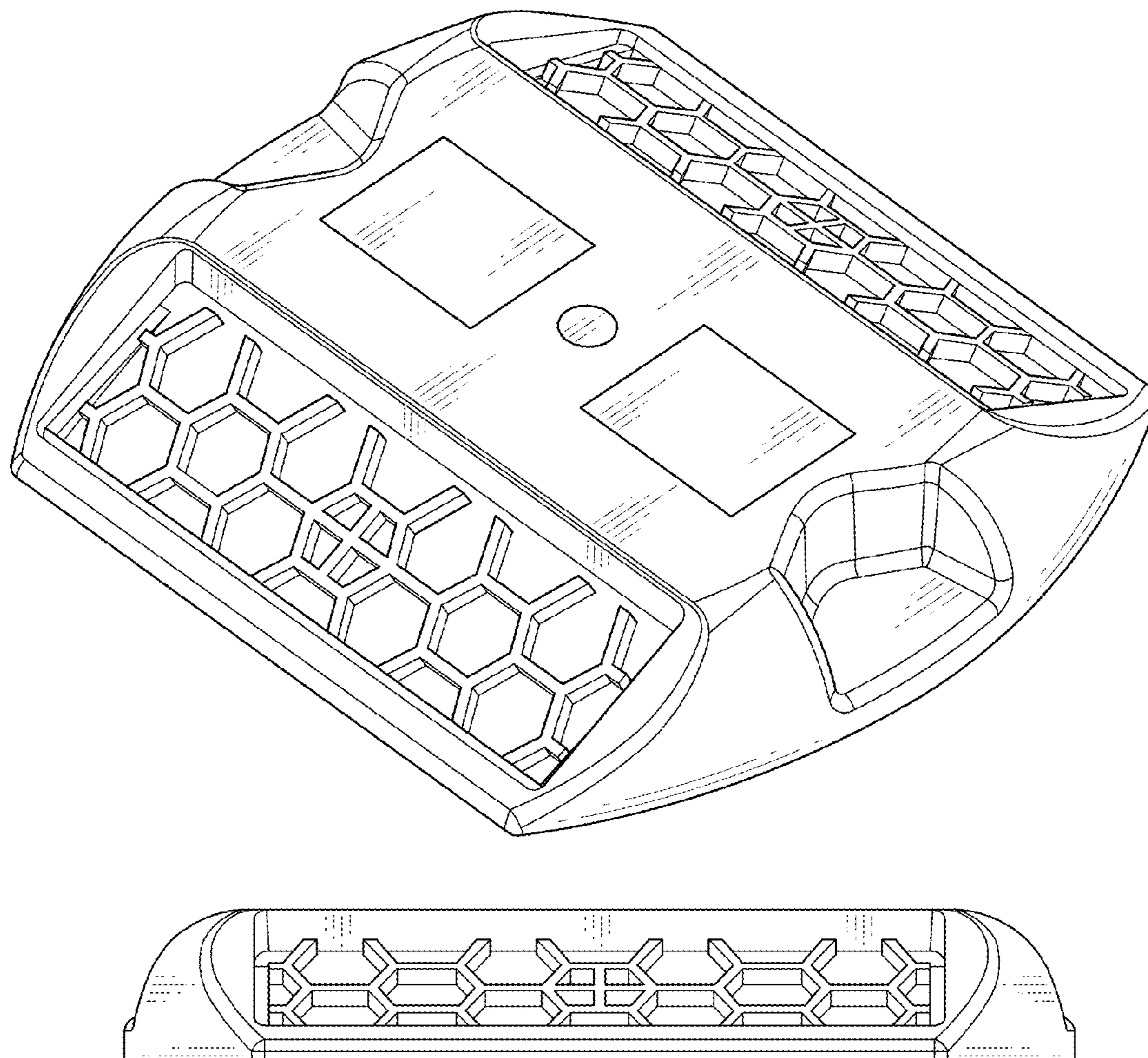
(57) **CLAIM**

The ornamental design for a reflective pavement marker, as shown.

**DESCRIPTION**

FIG. 1 is a perspective view of a pavement marker showing my new design;  
FIG. 2 is a front elevational view thereof;  
FIG. 3 is a rear elevational view thereof;  
FIG. 4 is a left side elevational view thereof;  
FIG. 5 is a right side elevational view thereof;  
FIG. 6 is a top plan view thereof; and,  
FIG. 7 is a bottom plan view thereof.

**1 Claim, 5 Drawing Sheets**



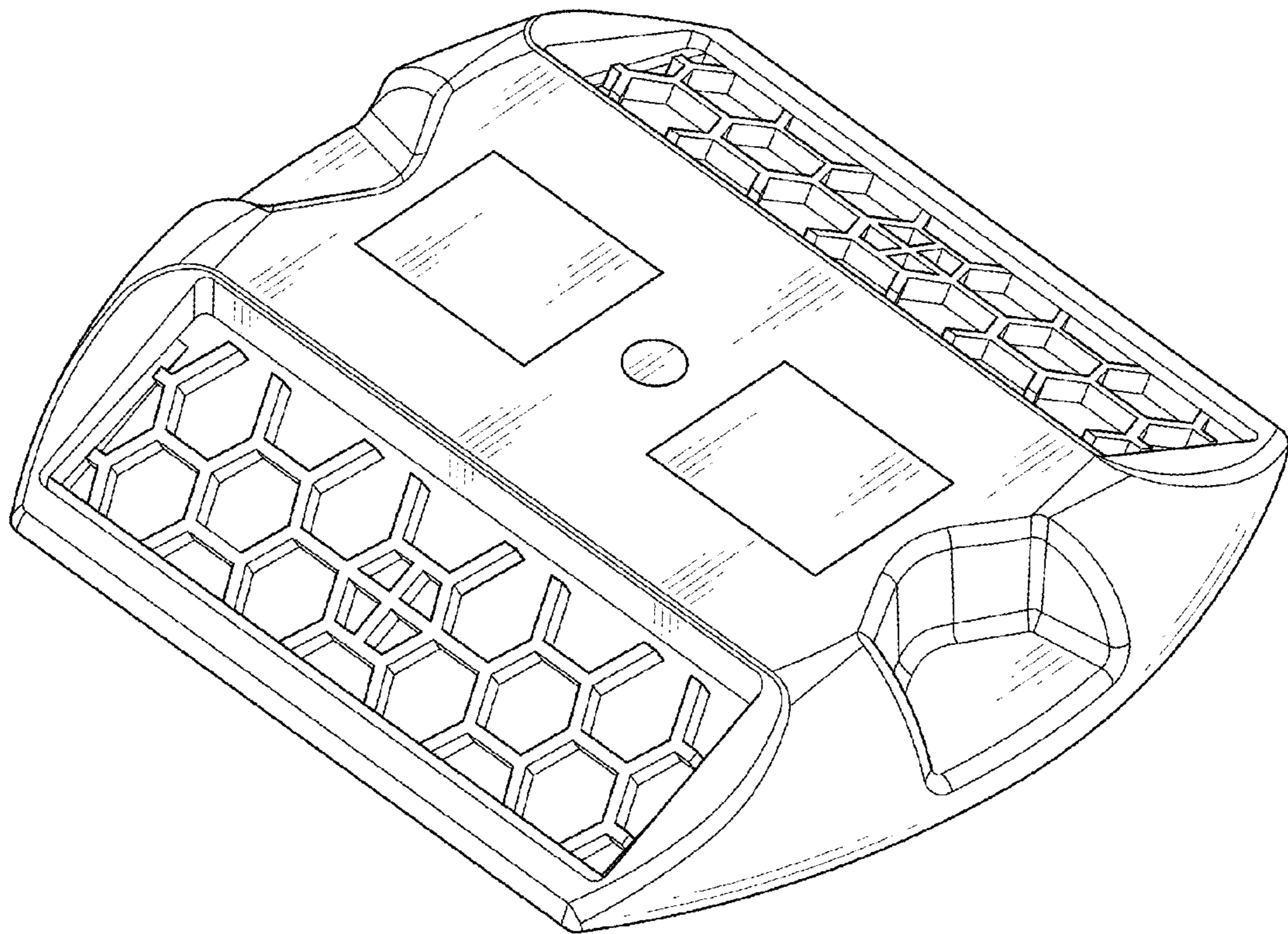


FIG. 1

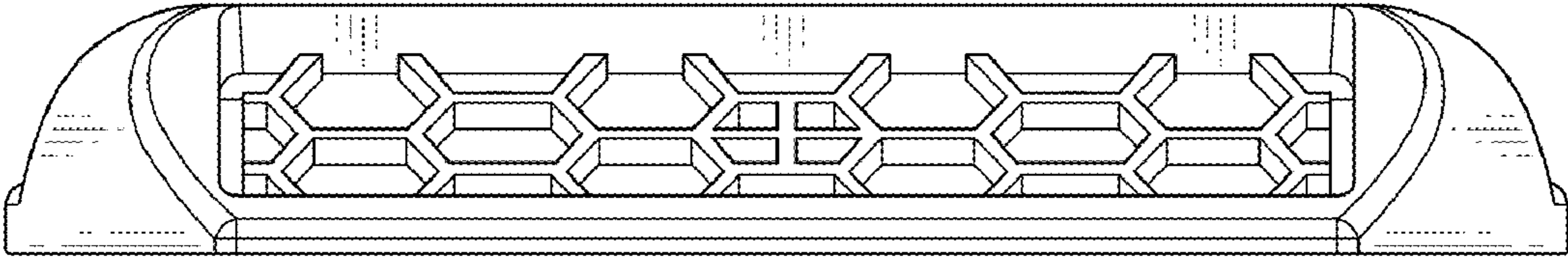


FIG. 2

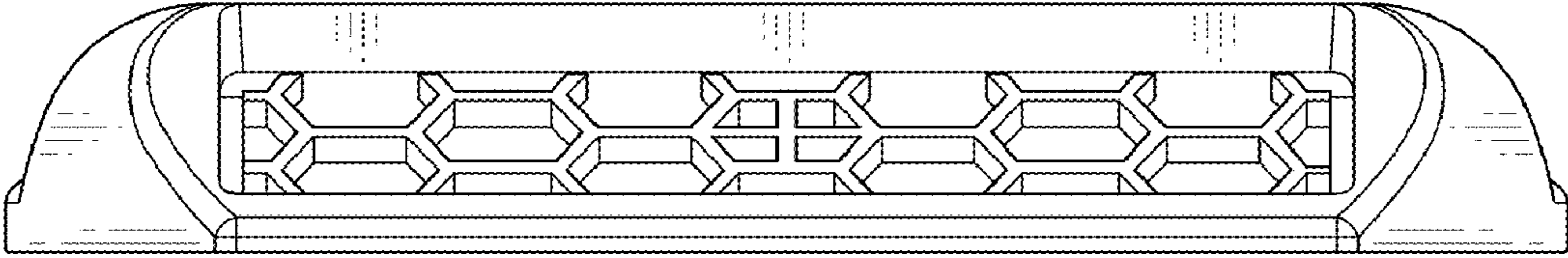


FIG. 3

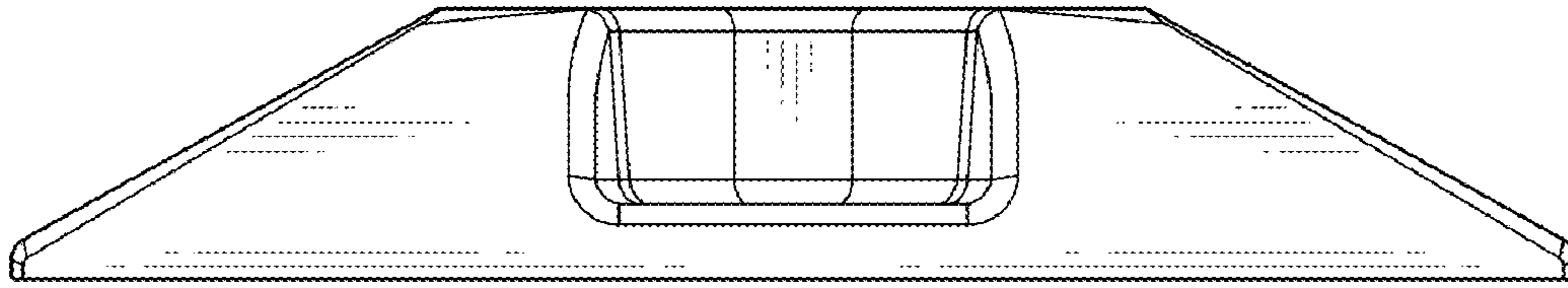


FIG. 4

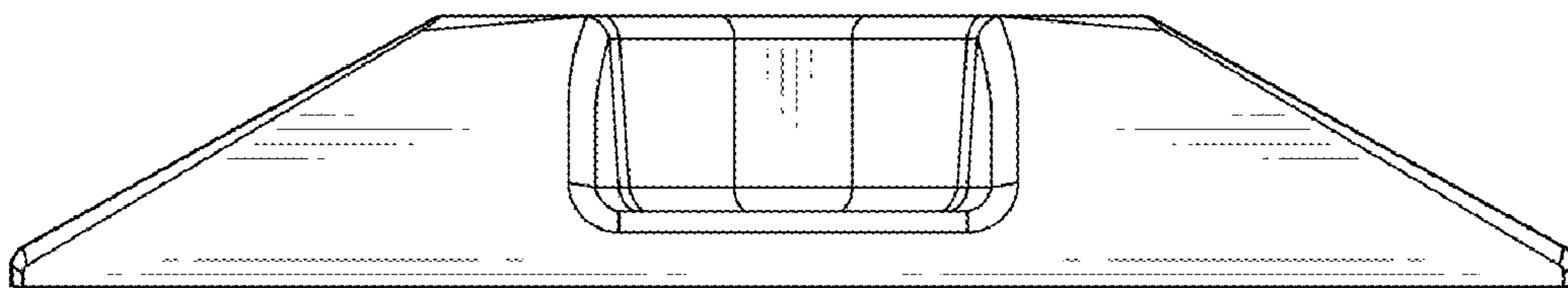


FIG. 5

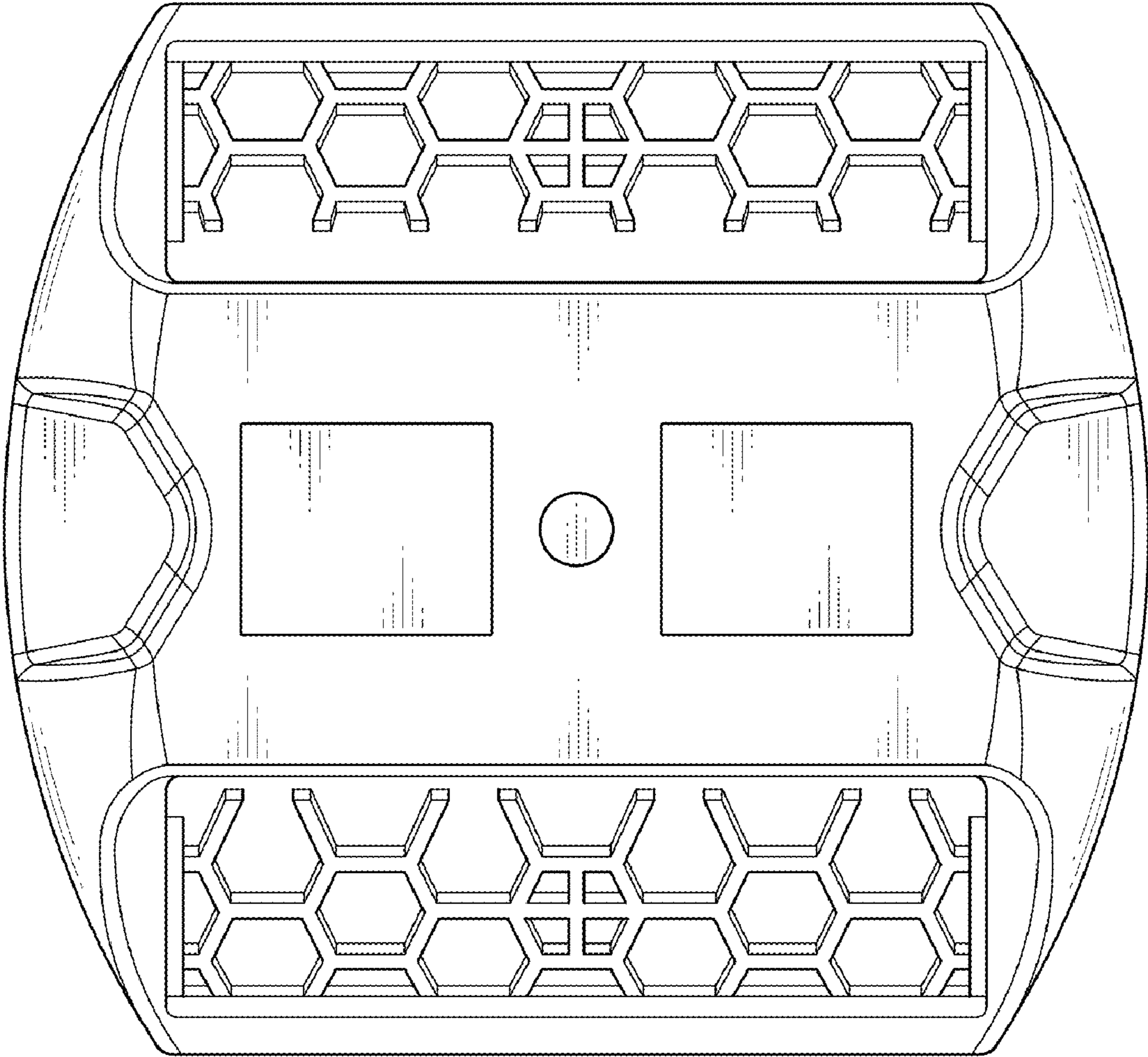


FIG. 6

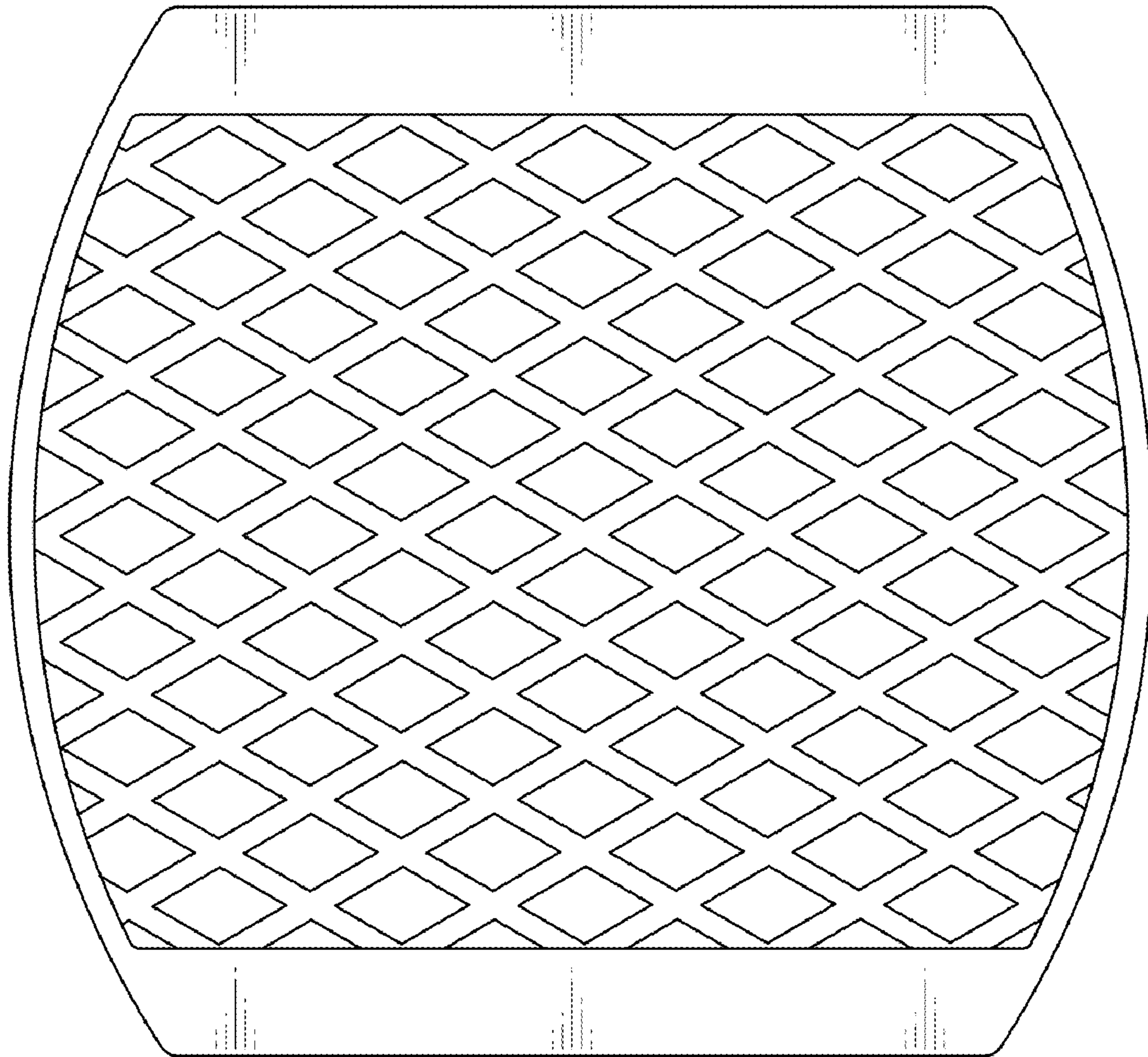


FIG. 7