



US00D678096S

(12) **United States Design Patent**  
**Ueda et al.**

(10) **Patent No.:** **US D678,096 S**  
(45) **Date of Patent:** **\*\* Mar. 19, 2013**

(54) **SPEEDOMETER FOR A BICYCLE**

(56) **References Cited**

(75) Inventors: **Takashi Ueda**, Osaka (JP); **Toshiyuki Nagano**, Osaka (JP); **Yoji Okuda**, Osaka (JP)

U.S. PATENT DOCUMENTS

D296,770 S *	7/1988	Lloyd	.....	D10/98
D401,522 S *	11/1998	Ueda et al.	.....	D10/98
D422,519 S *	4/2000	Ueda et al.	.....	D10/98
D637,508 S *	5/2011	Ueda et al.	.....	D10/98

(73) Assignee: **Cateye Co., Ltd.**, Osaka (JP)

\* cited by examiner

(\*\*) Term: **14 Years**

*Primary Examiner* — Antoine D. Davis

(21) Appl. No.: **29/395,550**

(74) *Attorney, Agent, or Firm* — Olson & Cepuritis, Ltd.

(22) Filed: **Feb. 14, 2012**

(57) **CLAIM**

The ornamental design for a speedometer for a bicycle, as shown.

(30) **Foreign Application Priority Data**

**DESCRIPTION**

Aug. 26, 2011 (JP) ..... 2011-019404

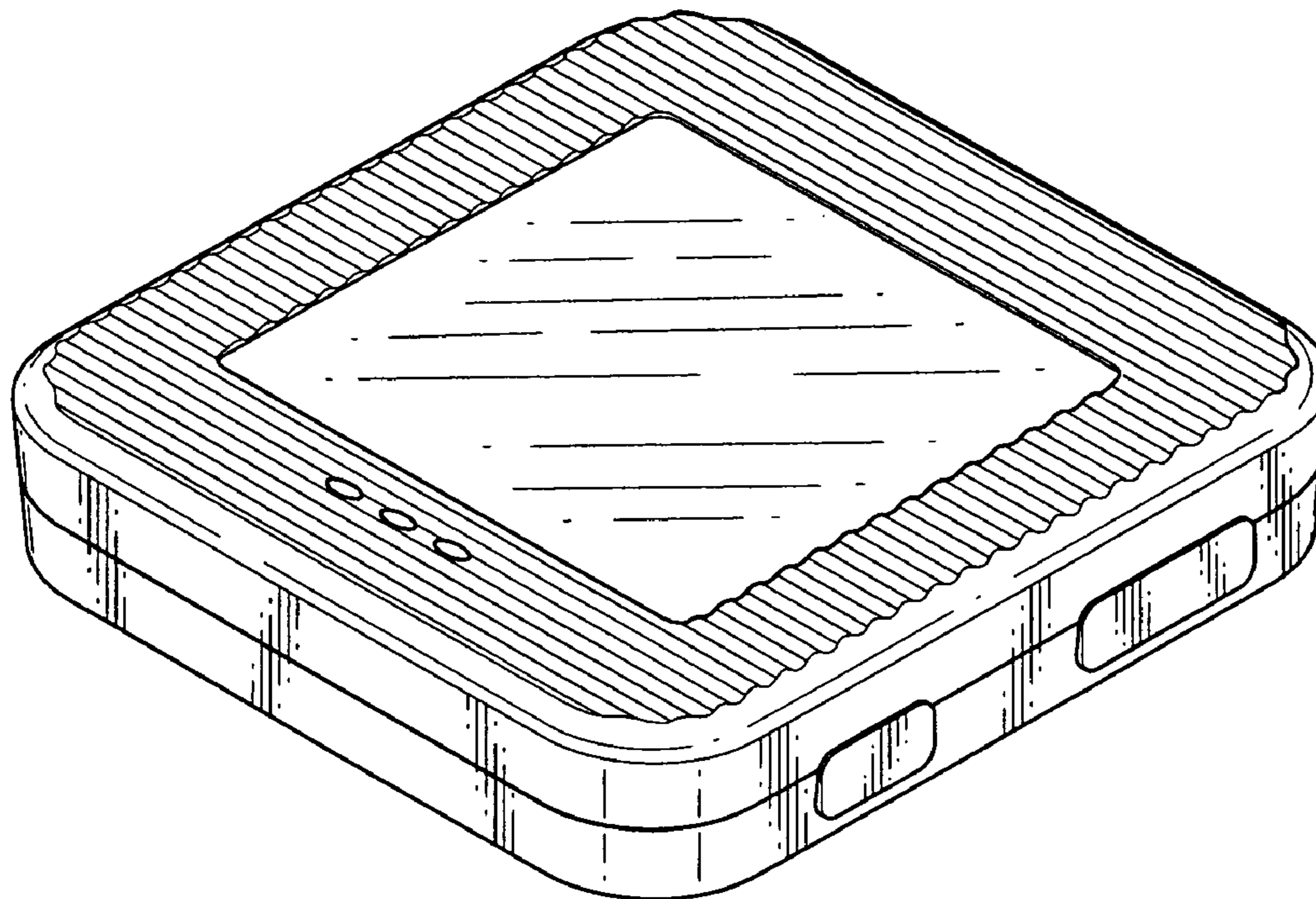
FIG. 1 is a perspective view of a speedometer for a bicycle showing our new design;  
FIG. 2 is a front view thereof;  
FIG. 3 is a rear view thereof;  
FIG. 4 is a top plan view thereof;  
FIG. 5 is a bottom plan view thereof;  
FIG. 6 is a right side view thereof; and,  
FIG. 7 is a left side view thereof.

(51) **LOC (9) Cl.** ..... **10-04**

(52) **U.S. Cl.** ..... **D10/98**

(58) **Field of Classification Search** ..... D10/98;  
73/490, 493, 514.39, 527; 235/95 R; 324/160–180,  
324/207.13, 207.22, 207.25; 340/432; 702/145–148  
See application file for complete search history.

**1 Claim, 5 Drawing Sheets**



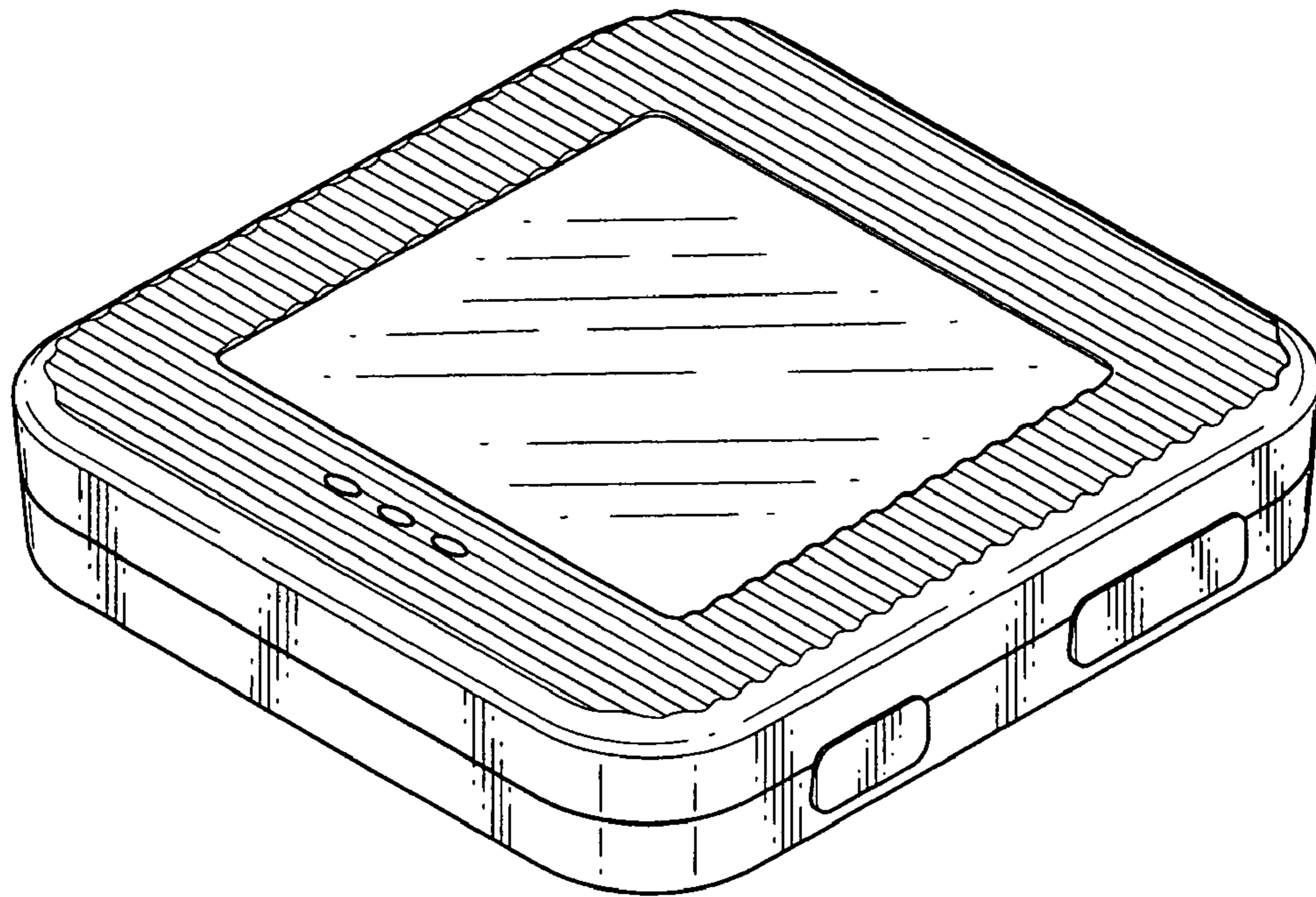


Fig. 1

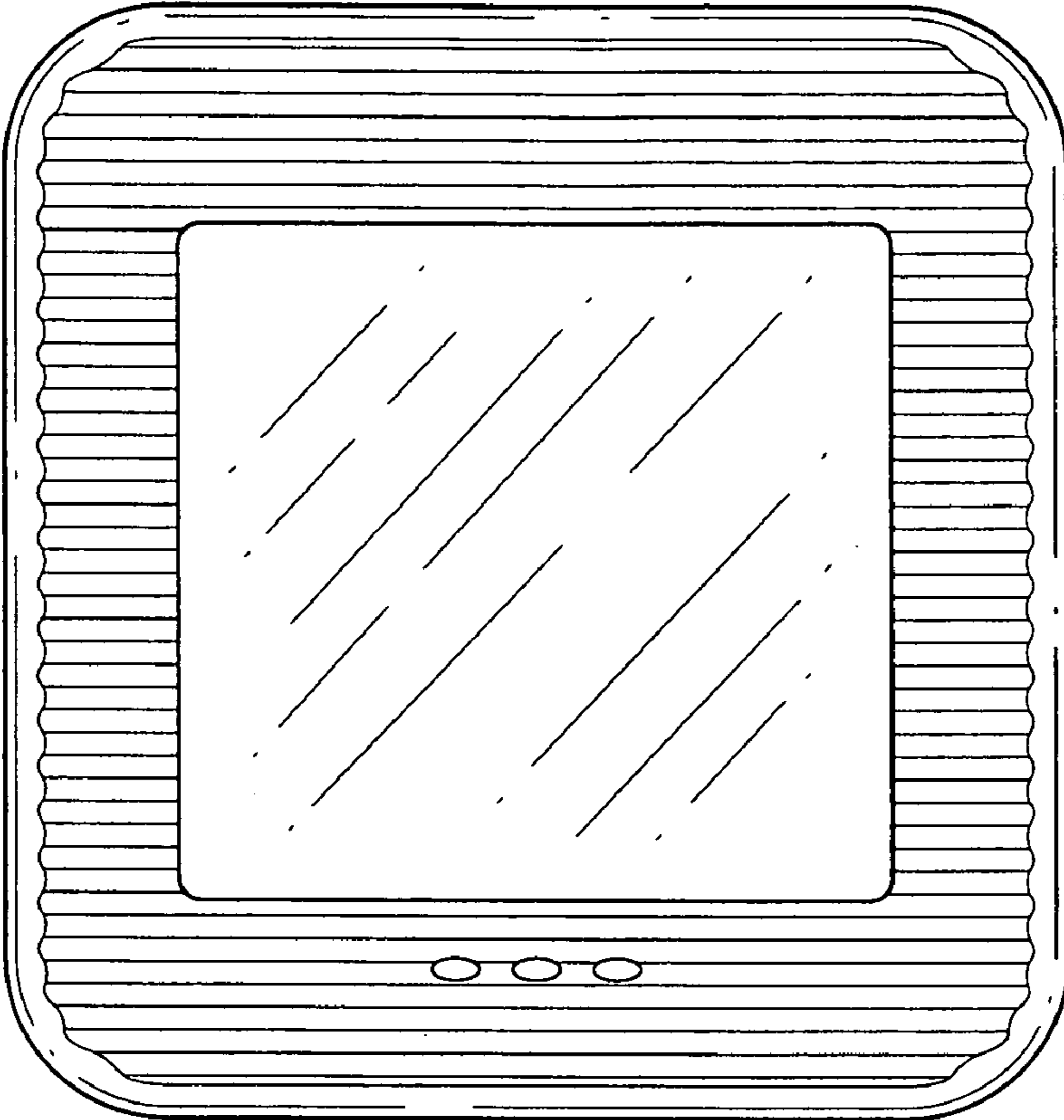


Fig. 2

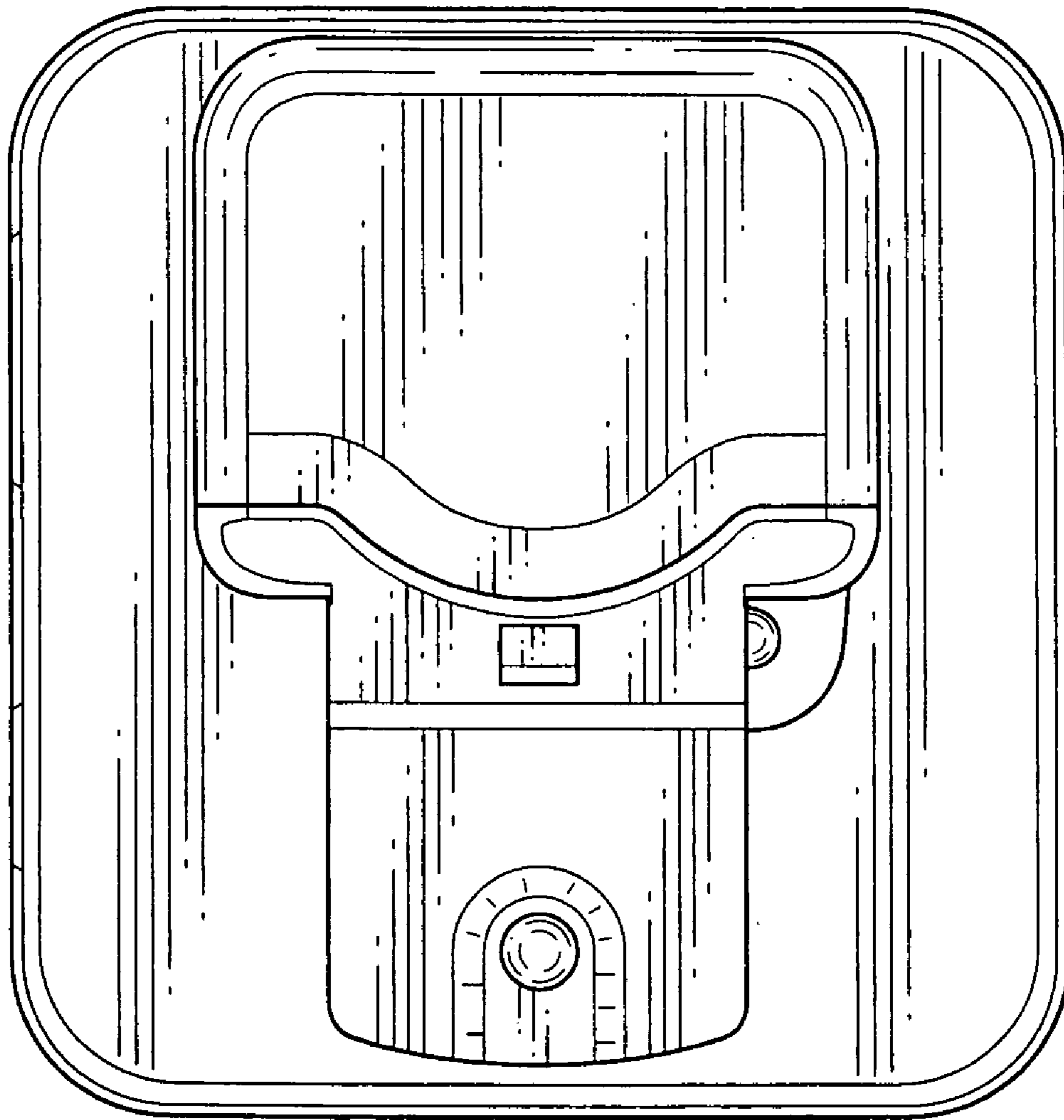


Fig. 3

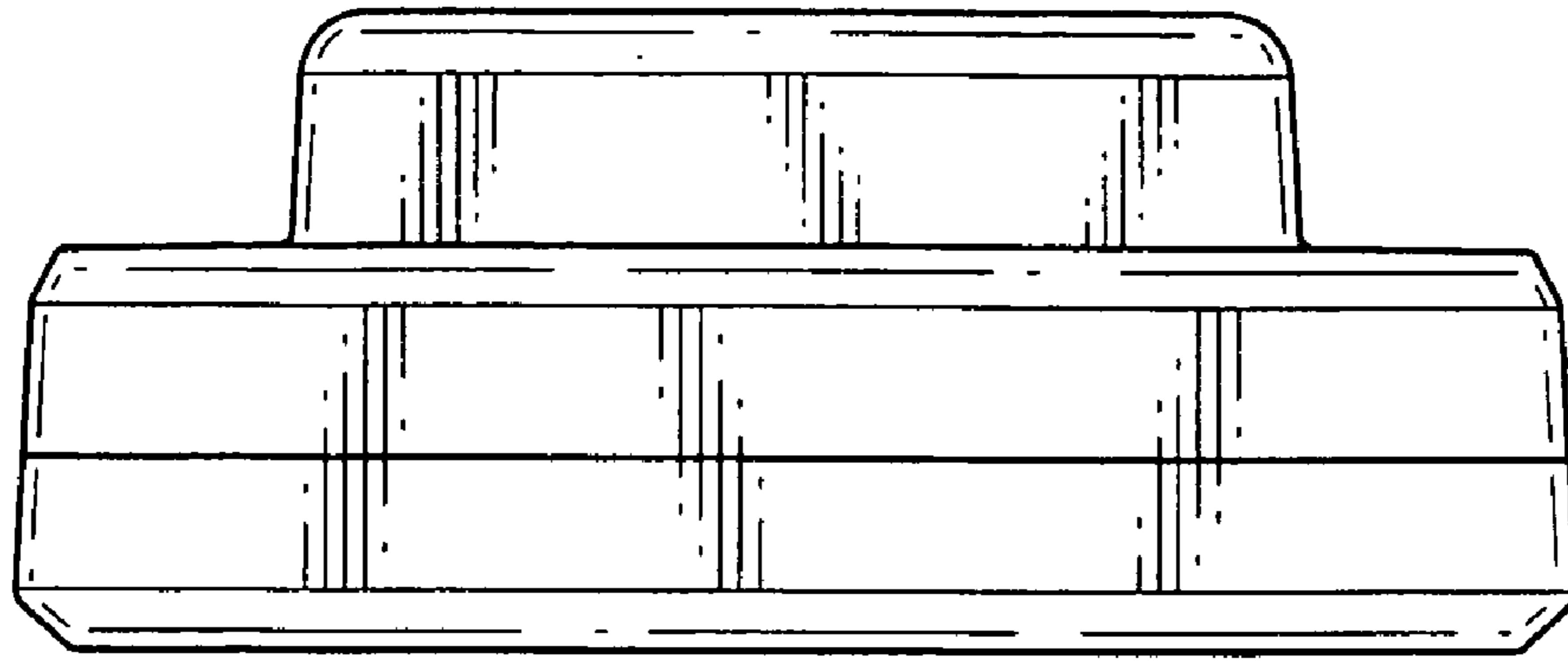


Fig. 4

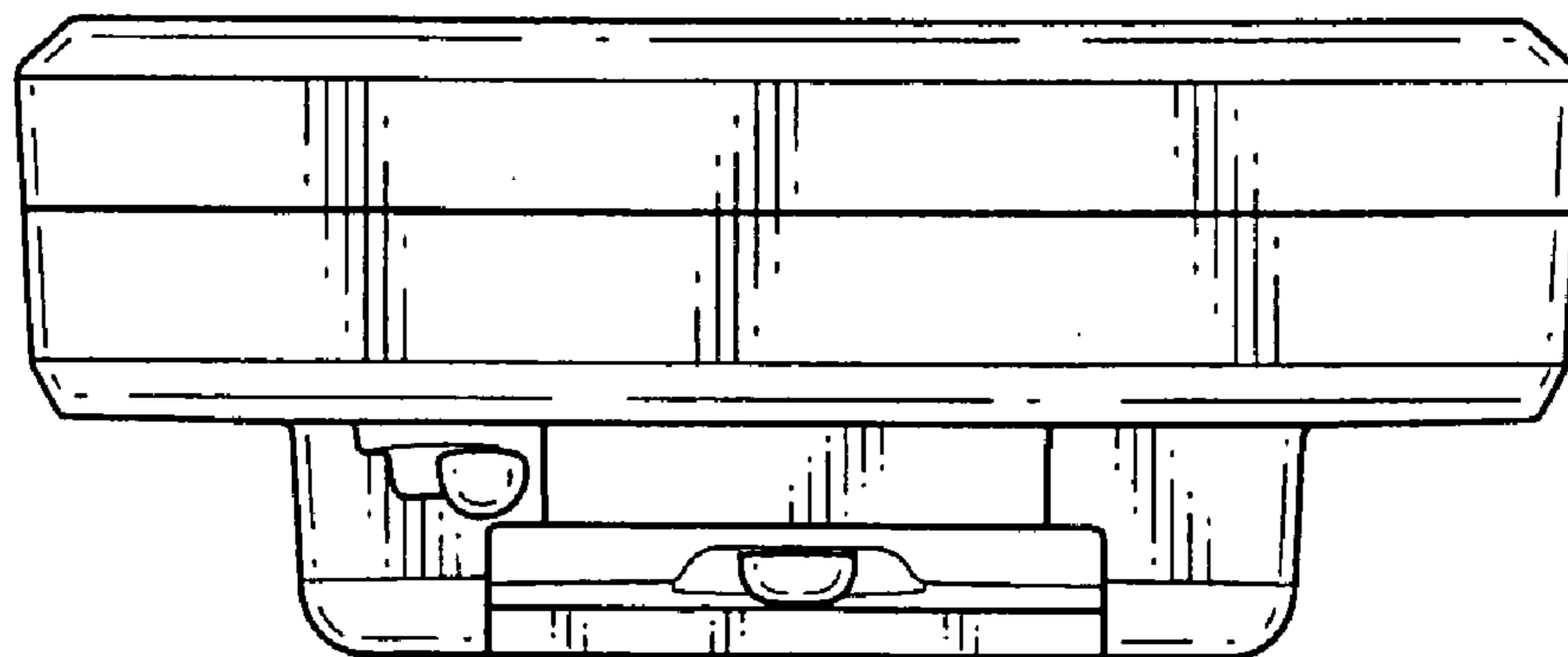


Fig. 5

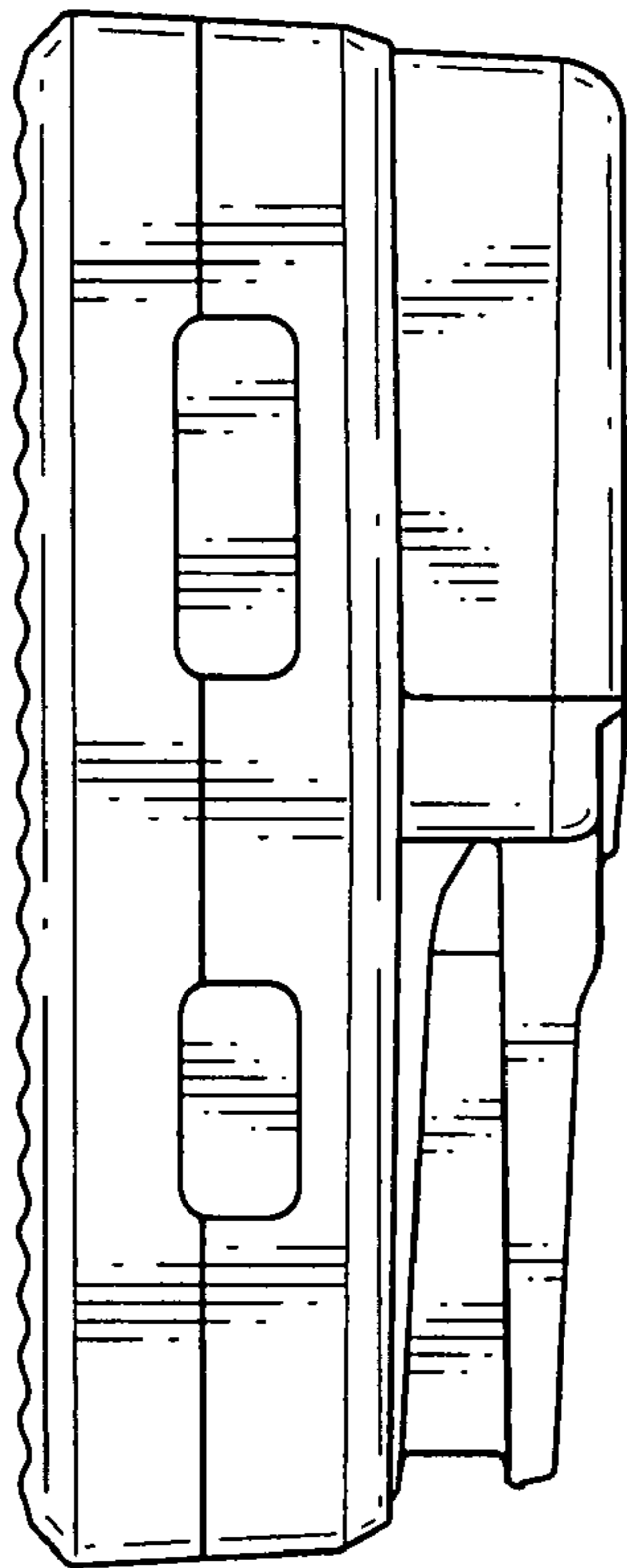


Fig. 6

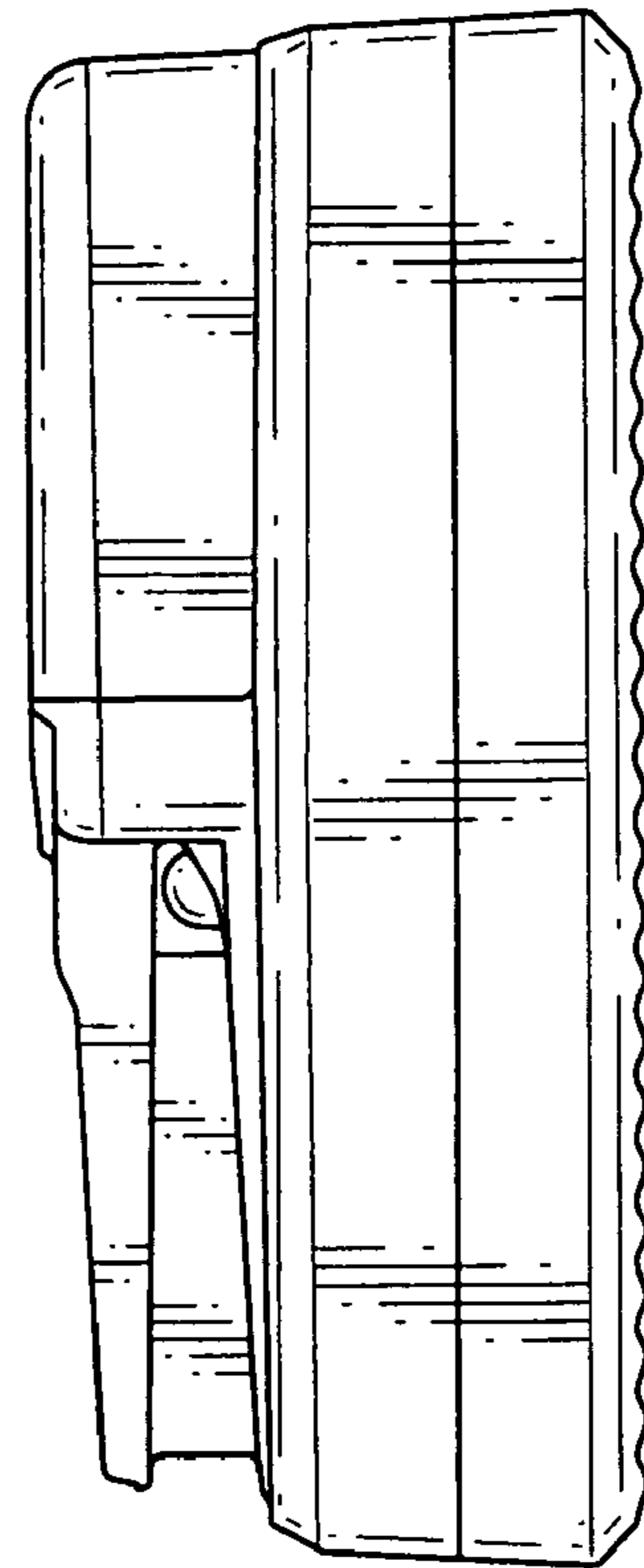


Fig. 7