



US00D678087S

(12) **United States Design Patent**
Bertani

(10) **Patent No.:** **US D678,087 S**
(45) **Date of Patent:** **** Mar. 19, 2013**

(54) **LEVEL INDICATOR**

DESCRIPTION

(75) Inventor: **Alberto Bertani**, Monza (IT)

(73) Assignee: **Elesa S.p.A.**, Milan (IT)

(**) Term: **14 Years**

(21) Appl. No.: **29/410,806**

(22) Filed: **Jan. 12, 2012**

(51) **LOC (9) Cl.** **10-04**

(52) **U.S. Cl.** **D10/69**

(58) **Field of Classification Search** D10/69;
33/334, 347, 365-390

See application file for complete search history.

(56) **References Cited**

U.S. PATENT DOCUMENTS

D229,341	S	*	11/1973	West et al.	D10/69
3,878,617	A	*	4/1975	West et al.	33/369
4,068,386	A	*	1/1978	Streeter	33/369
4,656,749	A	*	4/1987	Ashley et al.	33/334
4,693,117	A		9/1987	Mills		
4,888,875	A	*	12/1989	Strother	33/347
D363,033	S	*	10/1995	Doucet	D10/69
5,659,967	A	*	8/1997	Dufour	33/369
D397,948	S	*	9/1998	Bowen	D10/69
D407,335	S	*	3/1999	Bowen	D10/69
D645,366	S	*	9/2011	Ryan	D10/69

FOREIGN PATENT DOCUMENTS

GB			5834		0/1914
GB			2006441	A	5/1979

* cited by examiner

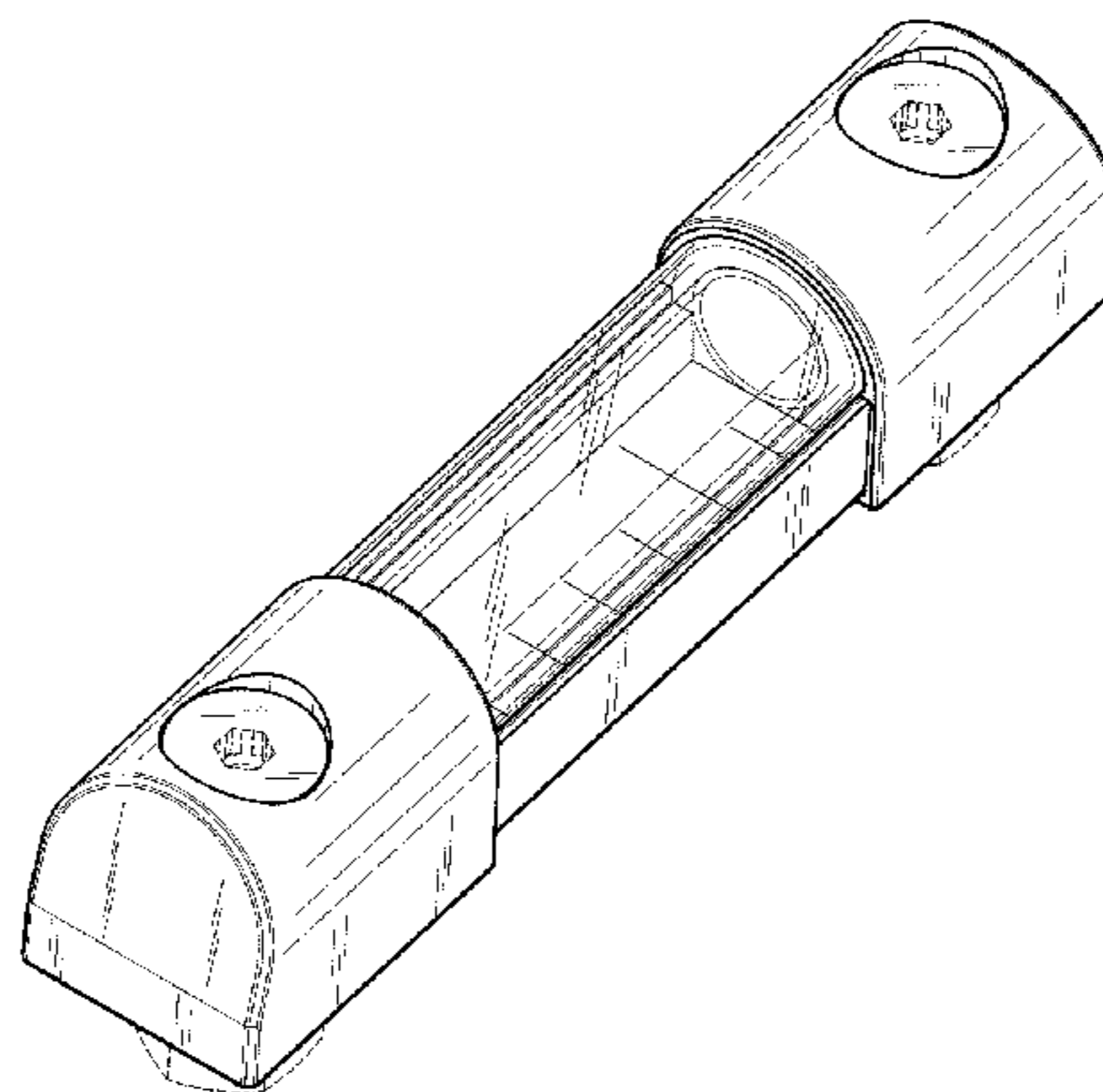
Primary Examiner — Antoine D Davis

(74) *Attorney, Agent, or Firm* — Pearne & Gordon LLP

(57) **CLAIM**

The ornamental design for a level indicator, as shown and described.

FIG. 1 is an isometric view of a first level indicator showing my new design;
 FIG. 2 is a front view thereof;
 FIG. 3 is a right side view thereof;
 FIG. 4 is a bottom view thereof, a top view being a mirror image thereof;
 FIG. 5 is a left side view thereof;
 FIG. 6 is a rear view thereof;
 FIG. 7 is an isometric view of a second level indicator showing my new design;
 FIG. 8 is a front view thereof;
 FIG. 9 is a right side view thereof;
 FIG. 10 is a bottom view thereof, a top view being a mirror image thereof;
 FIG. 11 is a left side view thereof;
 FIG. 12 is a rear view thereof;
 FIG. 13 is an isometric view of portions of a third level indicator showing my new design;
 FIG. 14 is a front view thereof;
 FIG. 15 is a right side view thereof, a left side view being a mirror image thereof;
 FIG. 16 is a bottom view thereof, a top view being a mirror image thereof;
 FIG. 17 is a rear view thereof;
 FIG. 18 is an isometric view of portions of a fourth level indicator showing my new design;
 FIG. 19 is a front view thereof;
 FIG. 20 is a right side view thereof;
 FIG. 21 is a bottom view thereof, a top view being a mirror image thereof;
 FIG. 22 is a left side view thereof;
 FIG. 23 is a rear view thereof;
 FIG. 24 is an isometric view of portions of a fifth level indicator showing my new design;
 FIG. 25 is a front view thereof;
 FIG. 26 is a right side view thereof, a left side view being a mirror image thereof;
 FIG. 27 is a bottom view thereof, a top view being a mirror image thereof; and,
 FIG. 28 is a rear view thereof.



The broken lines shown in FIGS. **1-28** illustrate portions of the level indicators and form no part of the claimed design. The separation and bracket shown in FIGS. **13-15** and **17** form no part of the claimed design and are provided to illustrate that the precise length of the tube assembly of the third level indicator is not claimed.

The separations and brackets shown in FIGS. **18-20**, **22** and **23** form no part of the claimed design and are provided to illustrate that the precise lengths of the heads of the fourth level indicator are not claimed.

The separations and brackets shown in FIGS. **24-26** and **28** form no part of the claimed design and are provided to illustrate that the precise lengths of the tube assembly and the heads of the fifth level indicator are not claimed.

The hatching pattern shown in FIGS. **13**, **18** and **24** is provided for illustrative purposes and no claim is made to any particular material.

1 Claim, 8 Drawing Sheets

FIG. 1

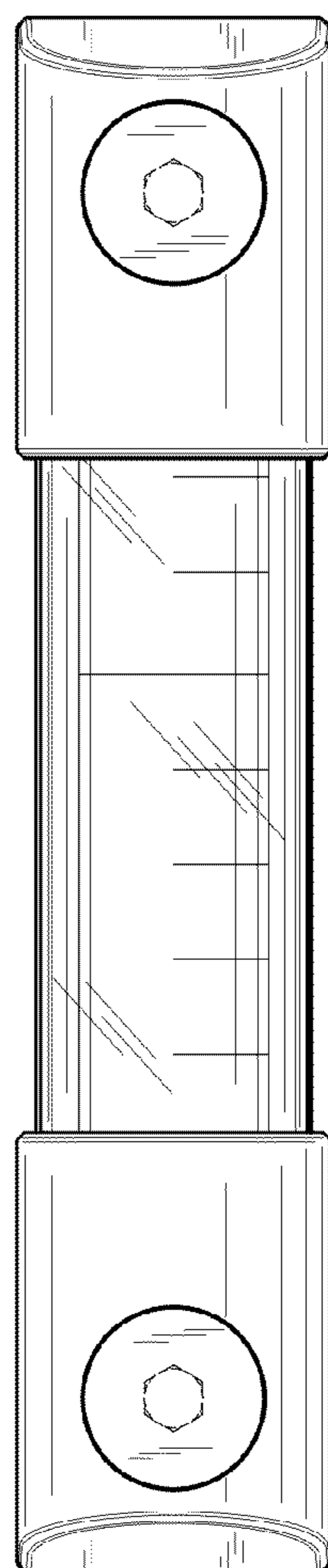
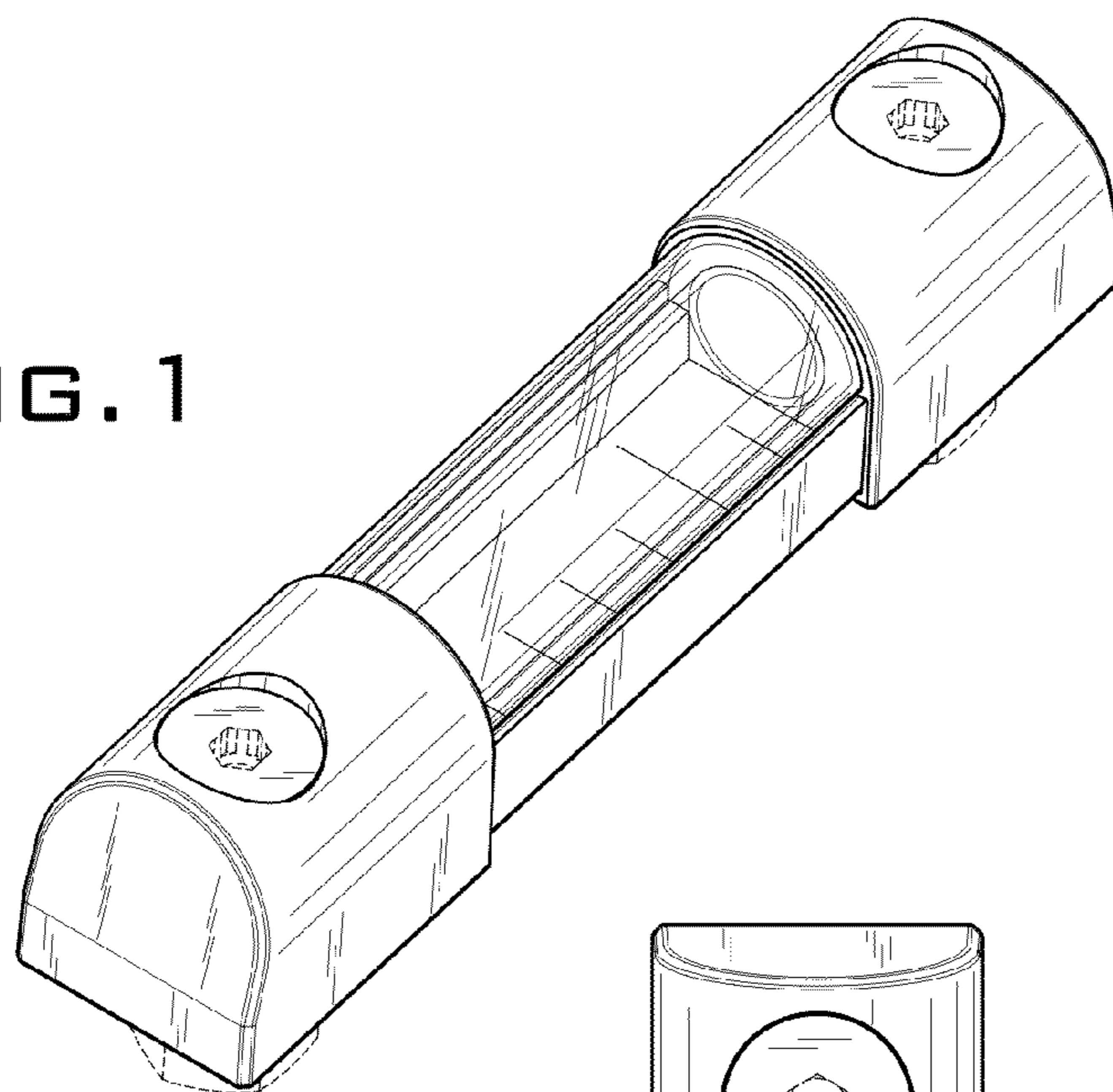


FIG. 2

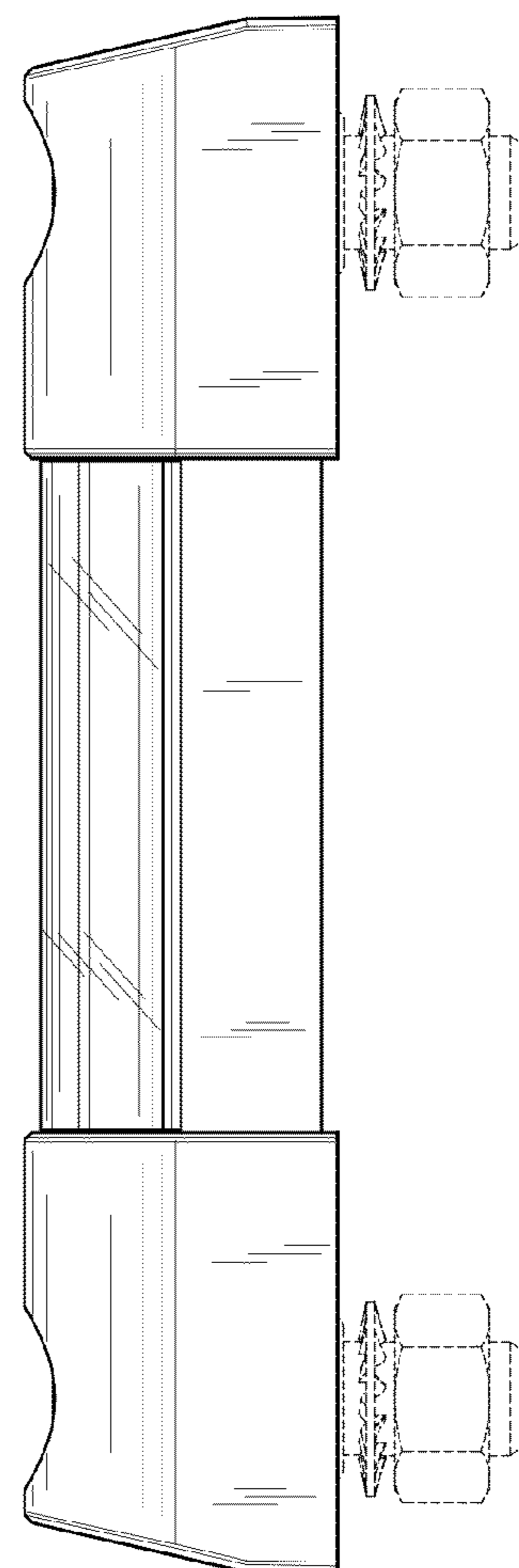


FIG. 3

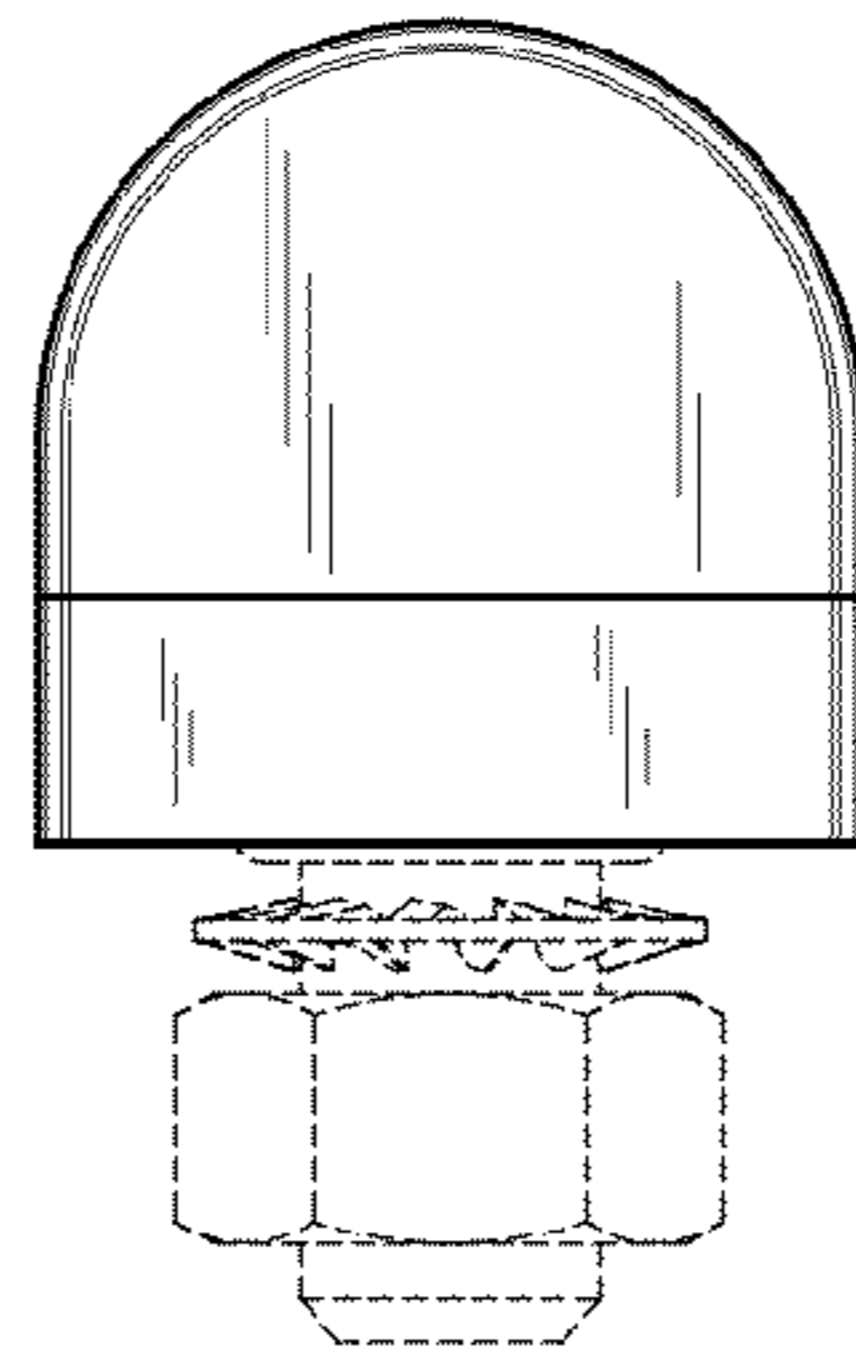


FIG. 4

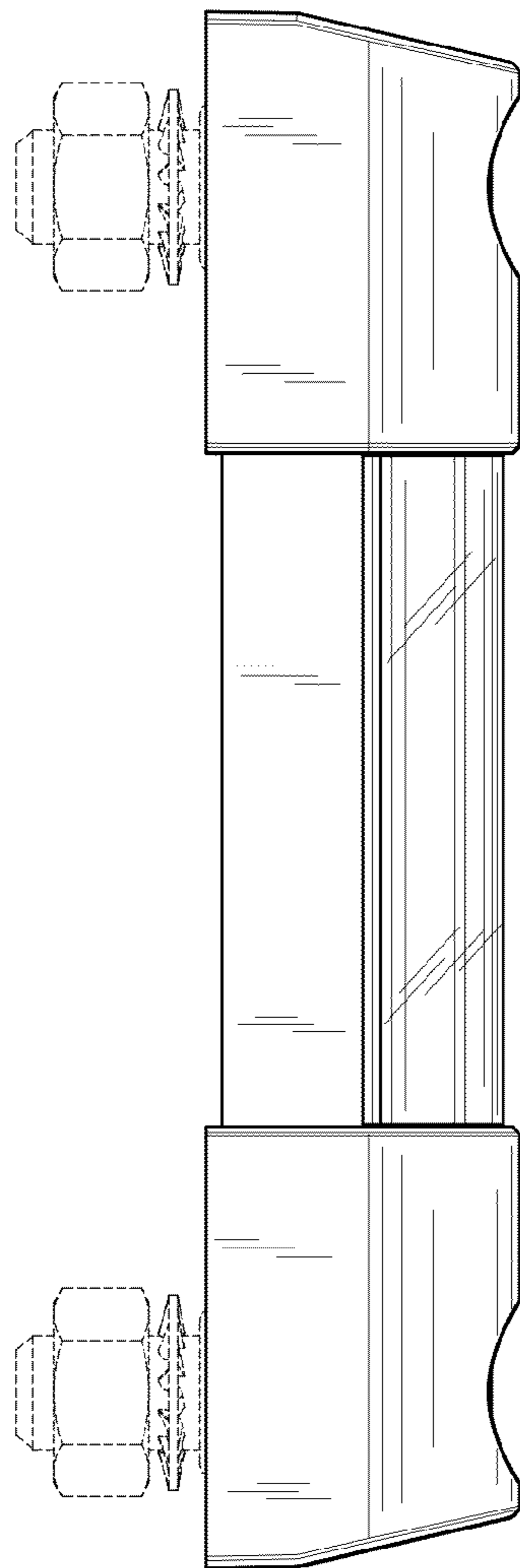


FIG. 5

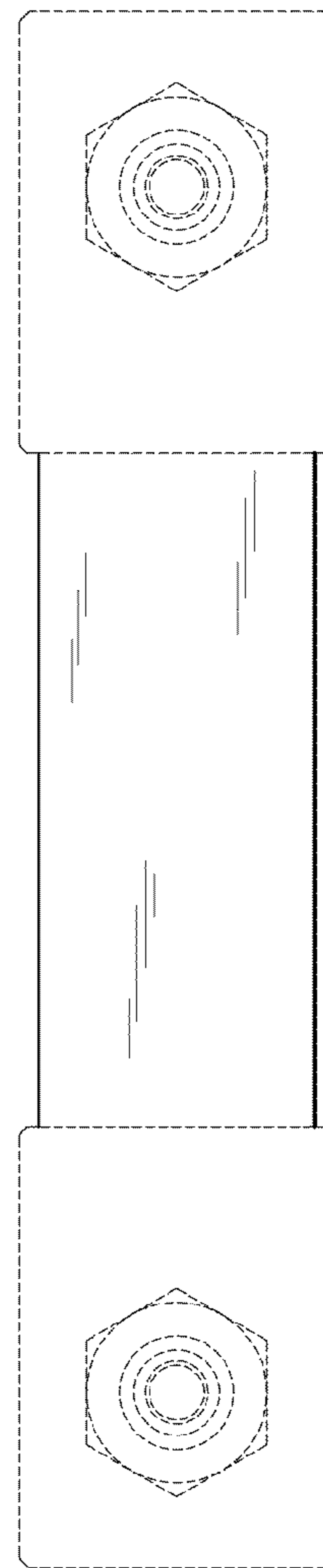


FIG. 6

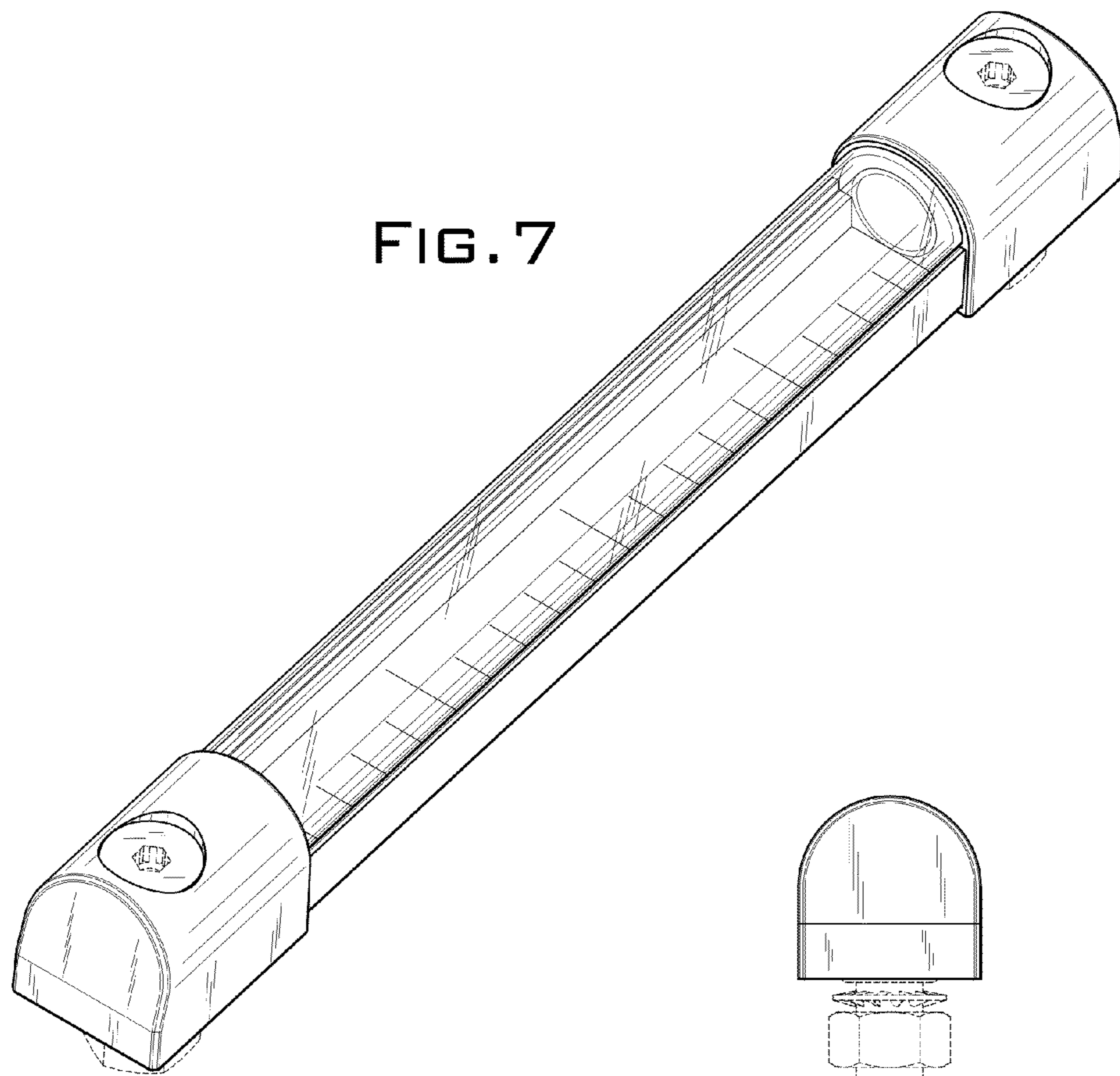


FIG. 7

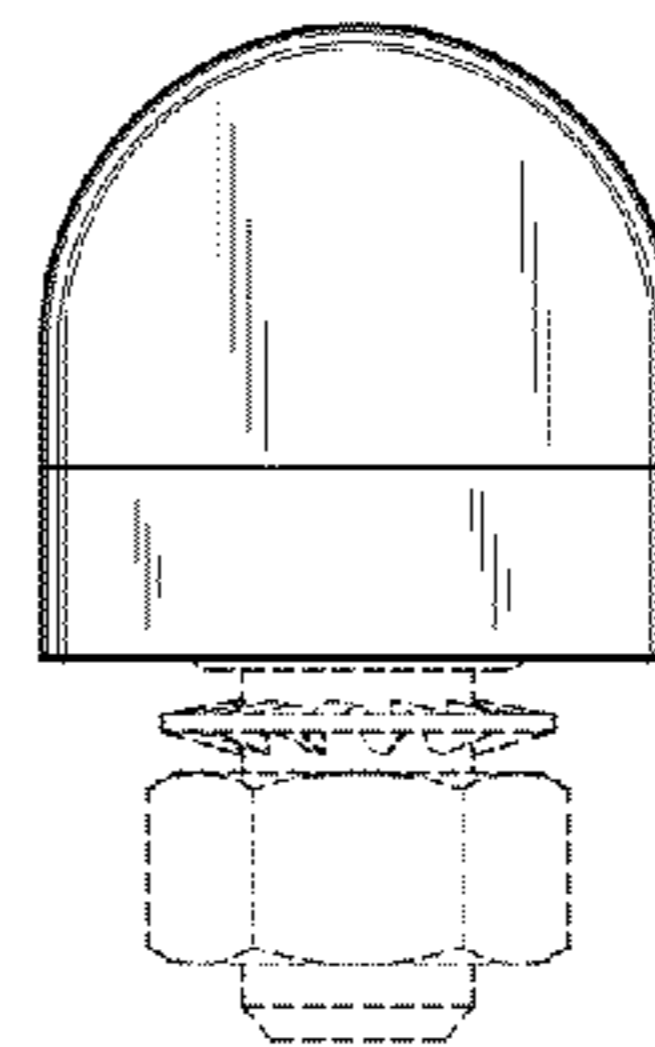


FIG. 10

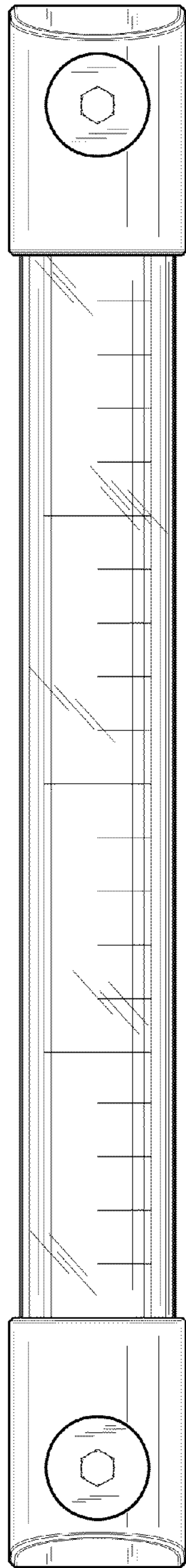


FIG. 8

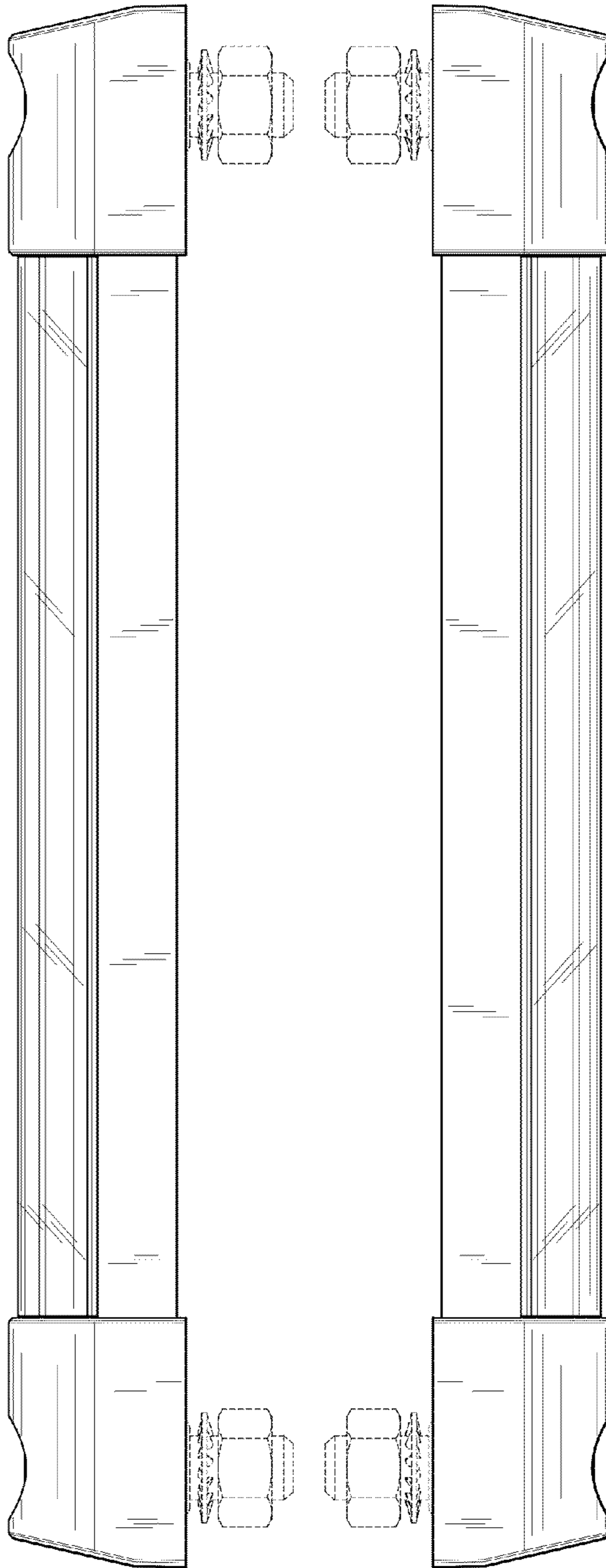


FIG. 9

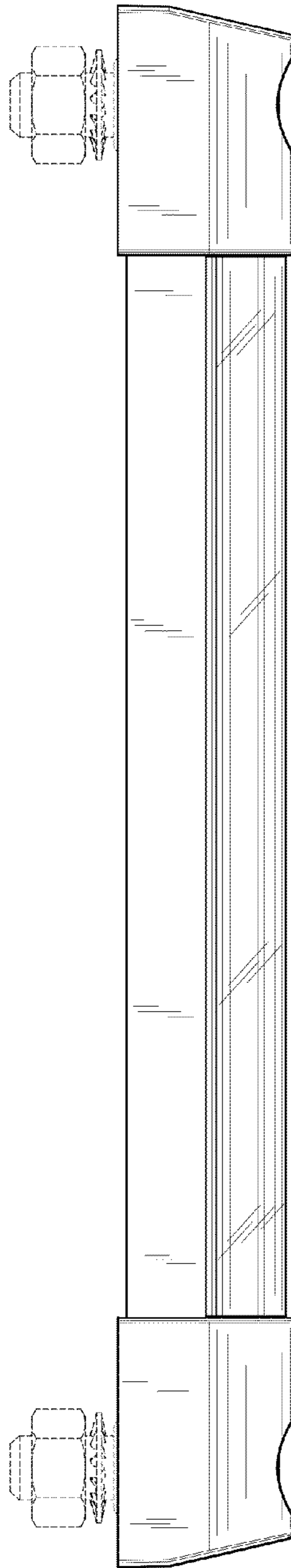


FIG. 11



FIG. 12

FIG. 13

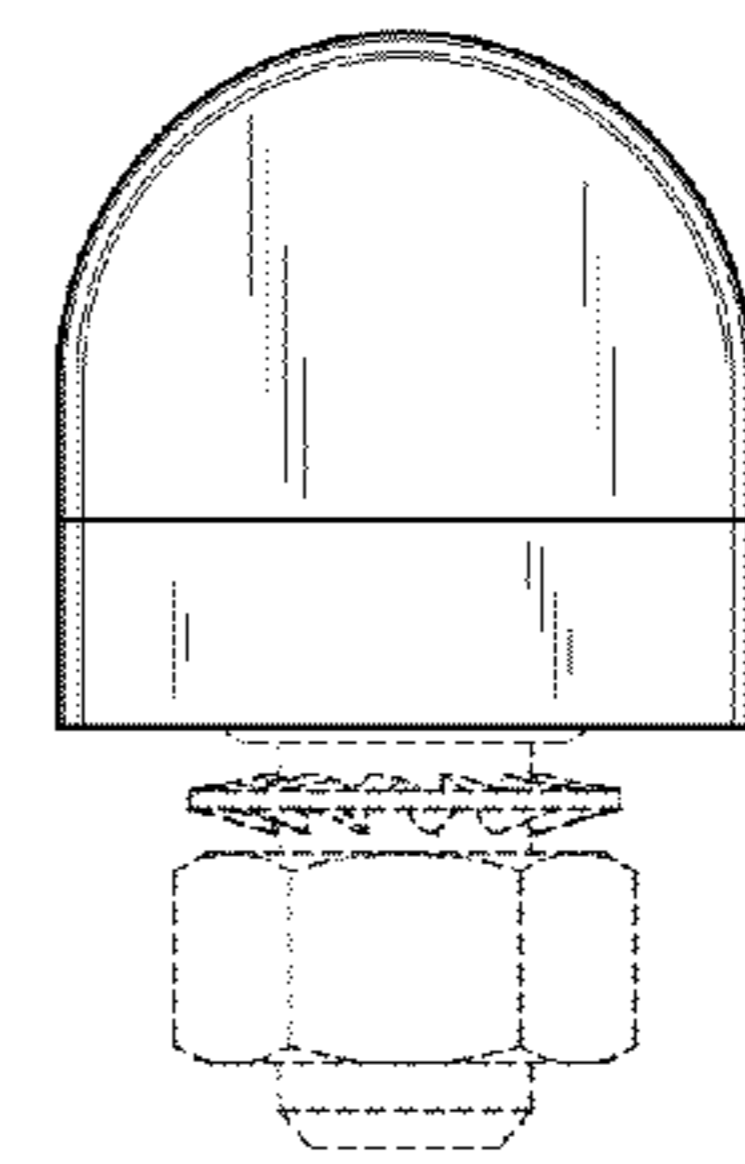
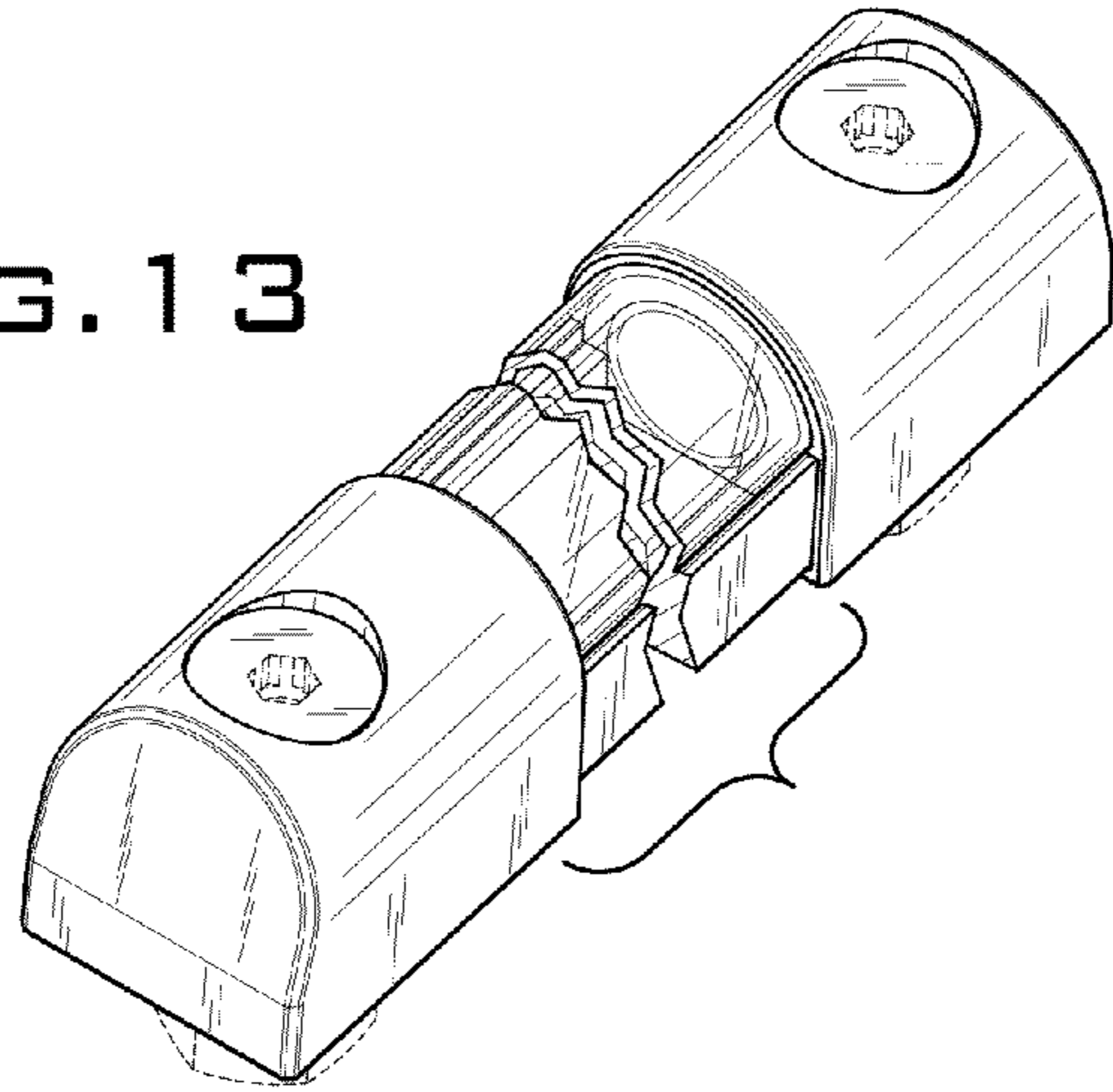


FIG. 16

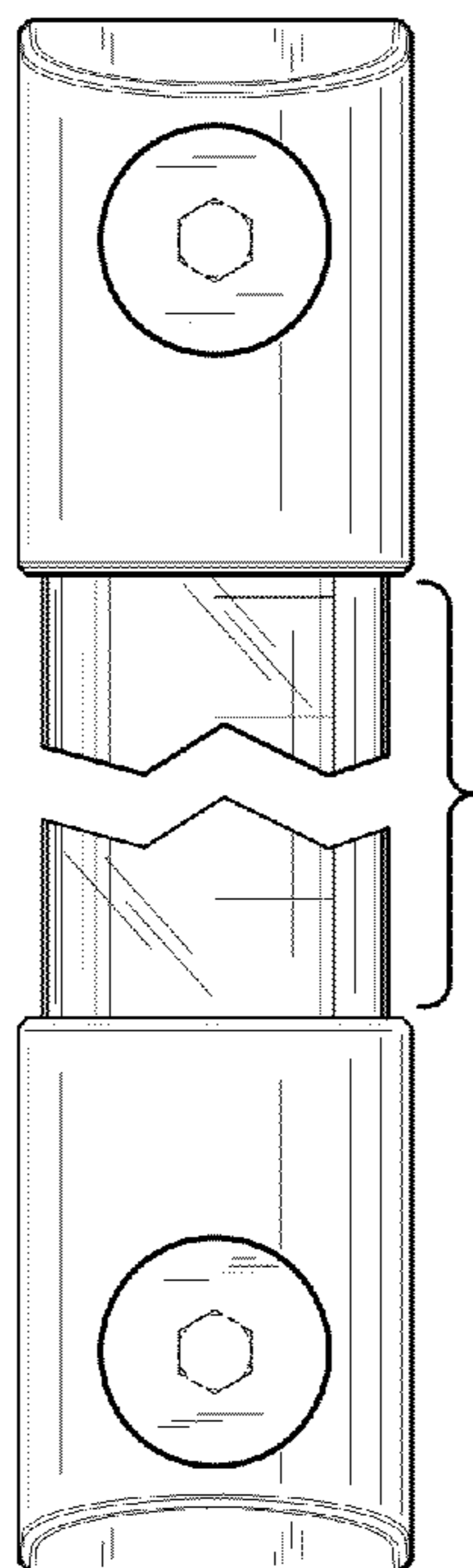


FIG. 14

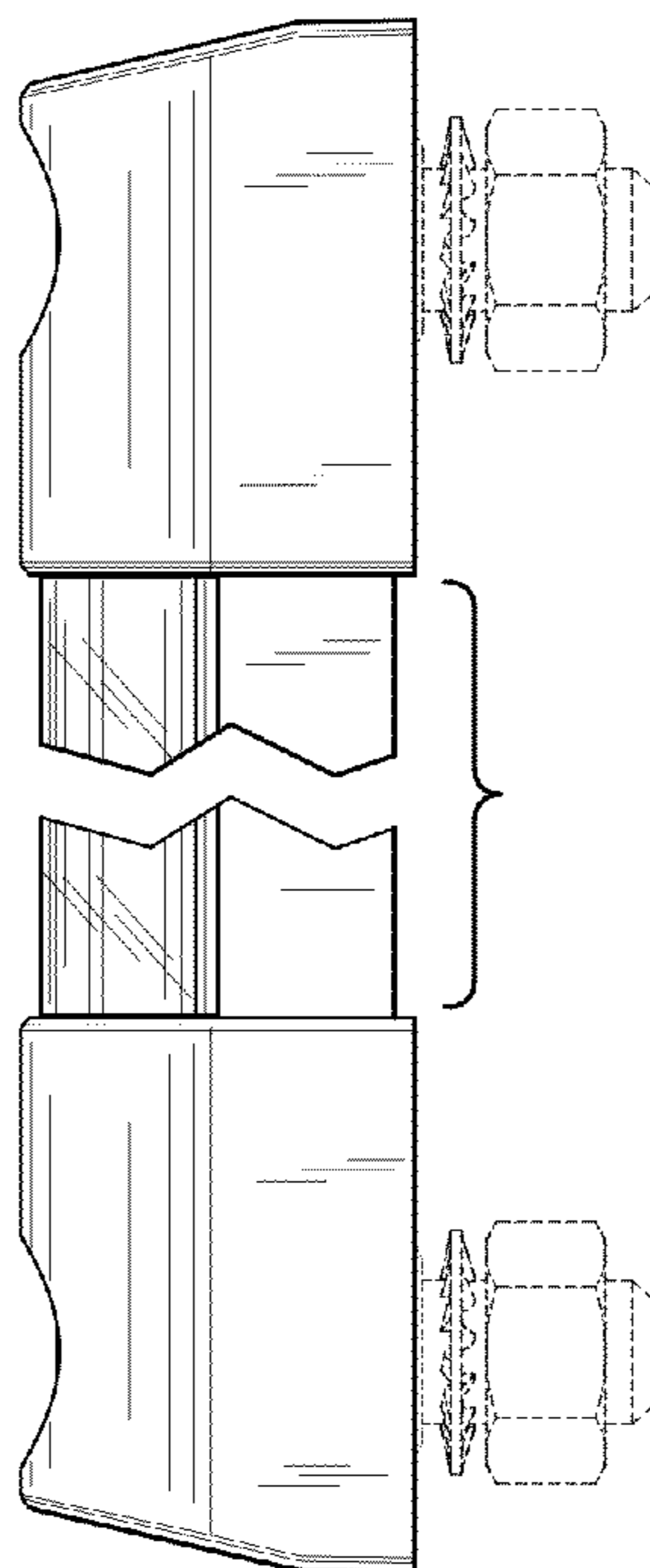


FIG. 15

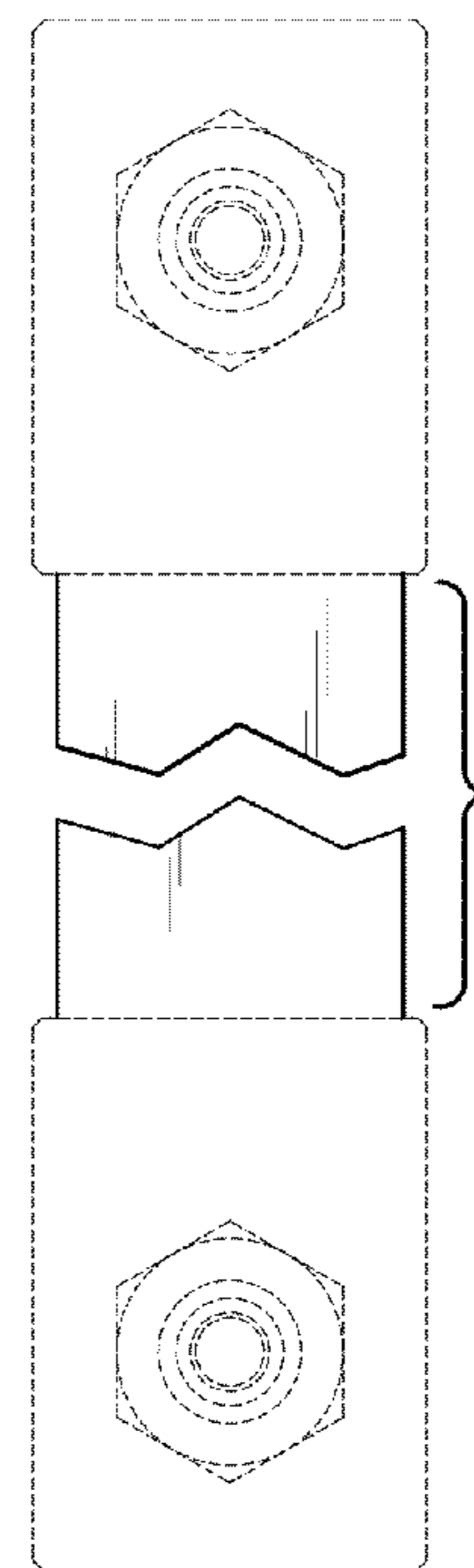


FIG. 17

FIG. 18

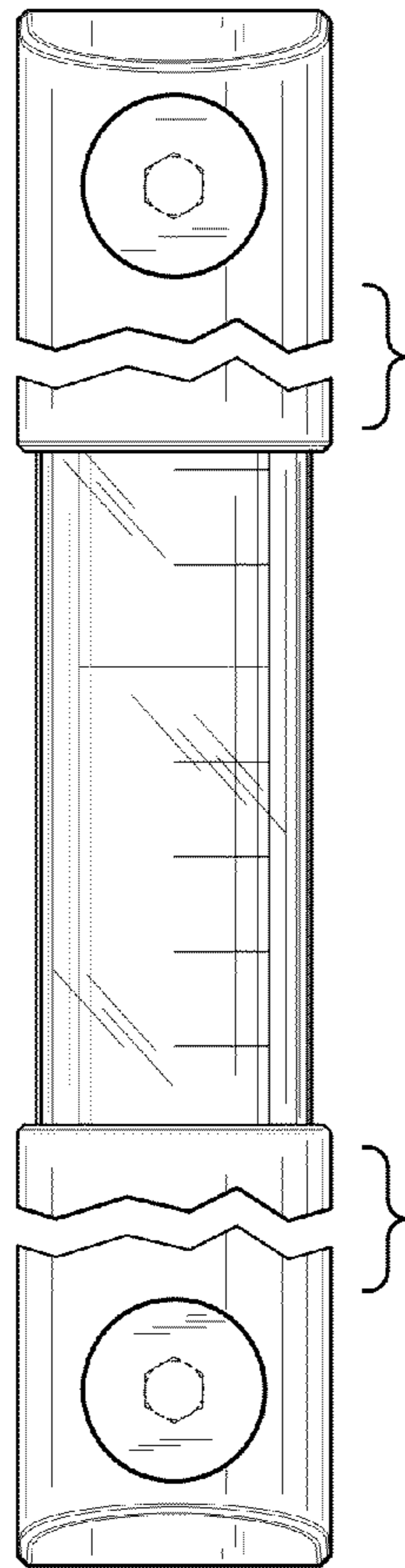
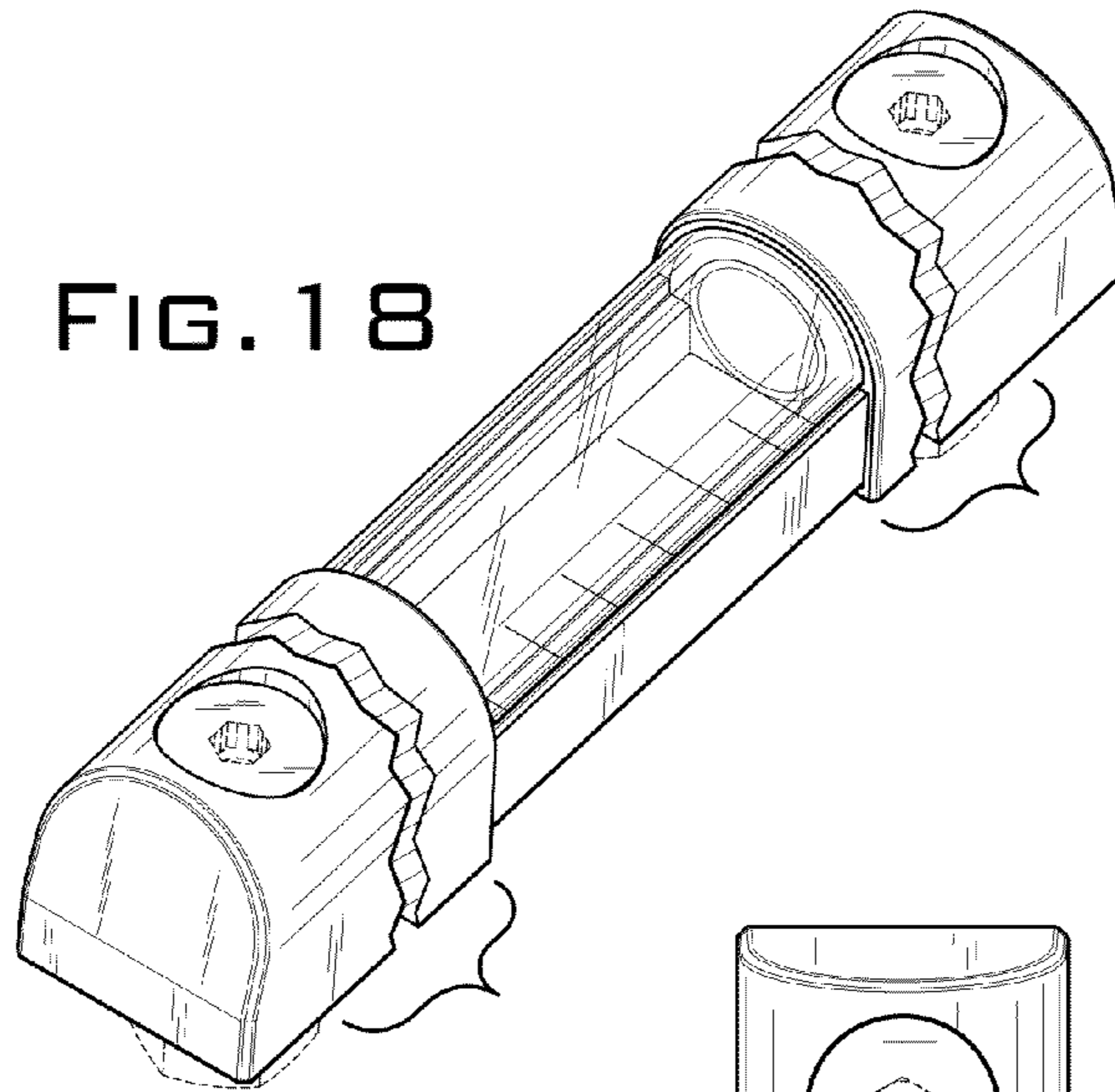


FIG. 19

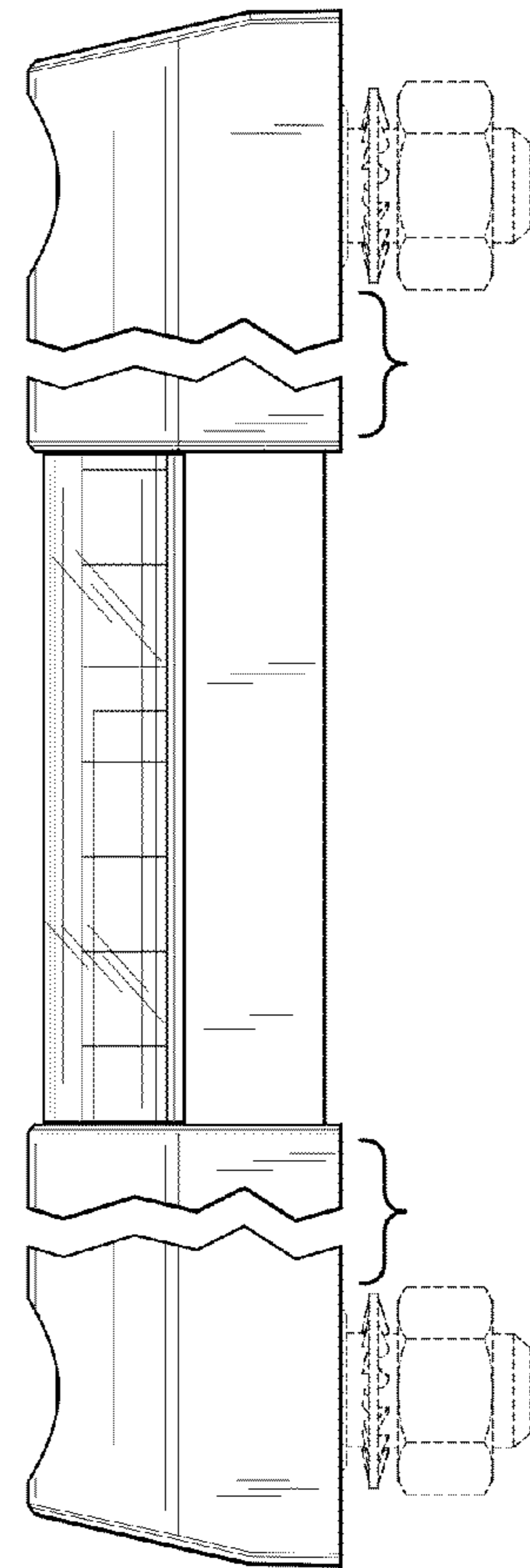


FIG. 20

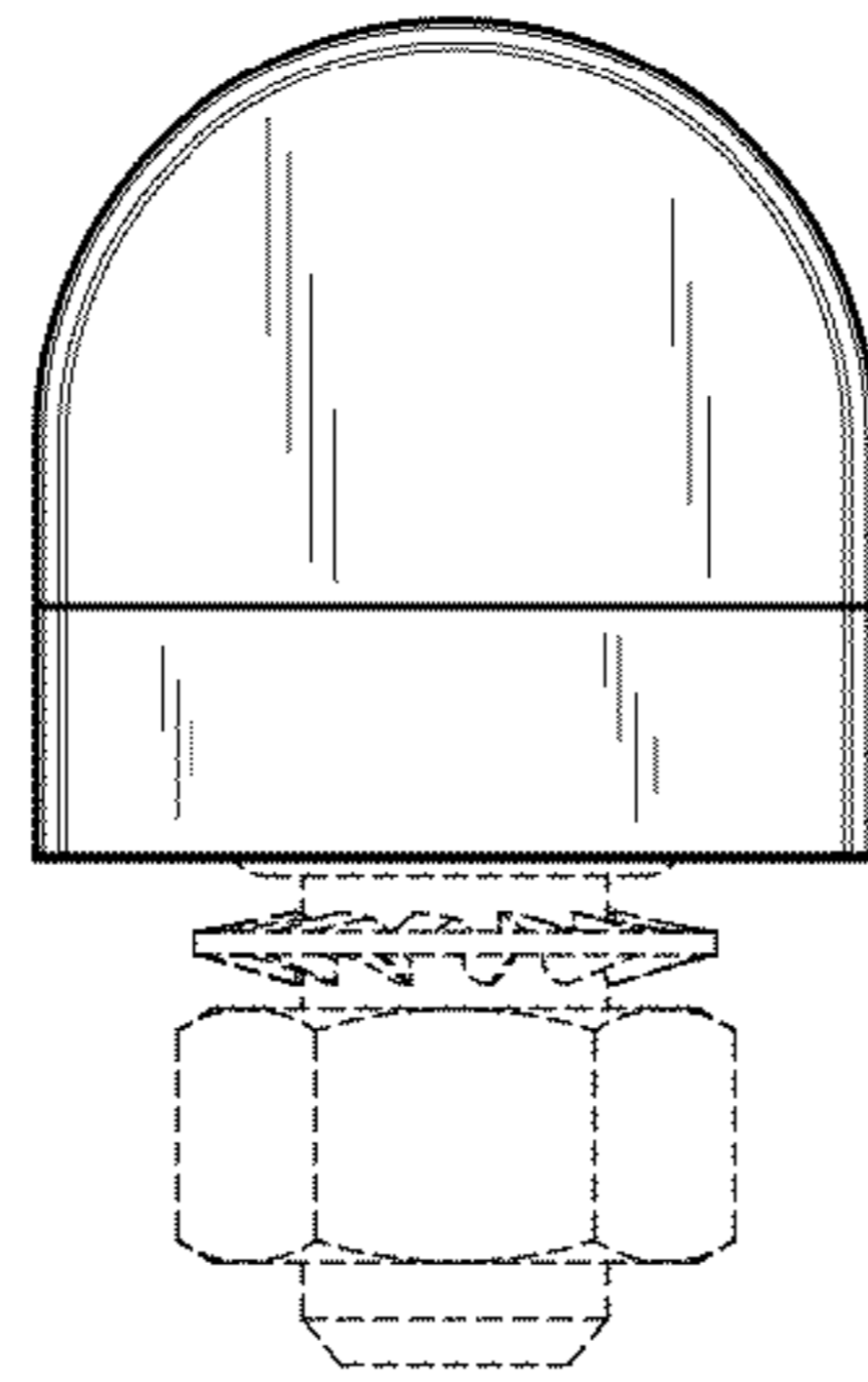


FIG. 21

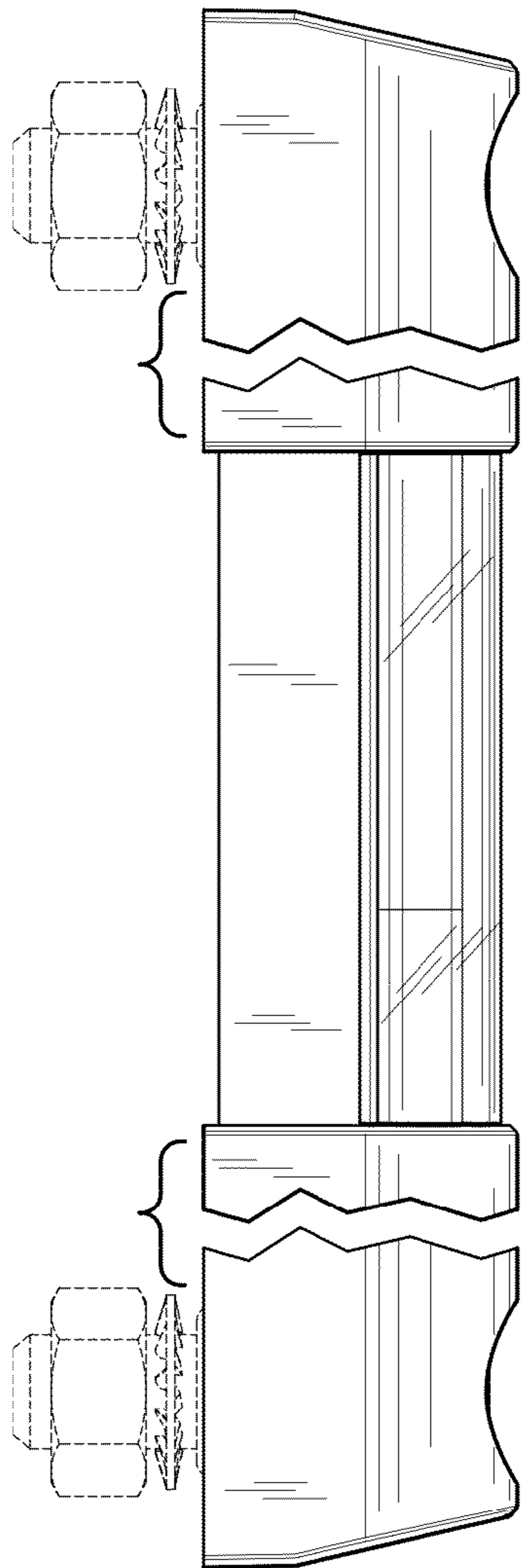


FIG. 22

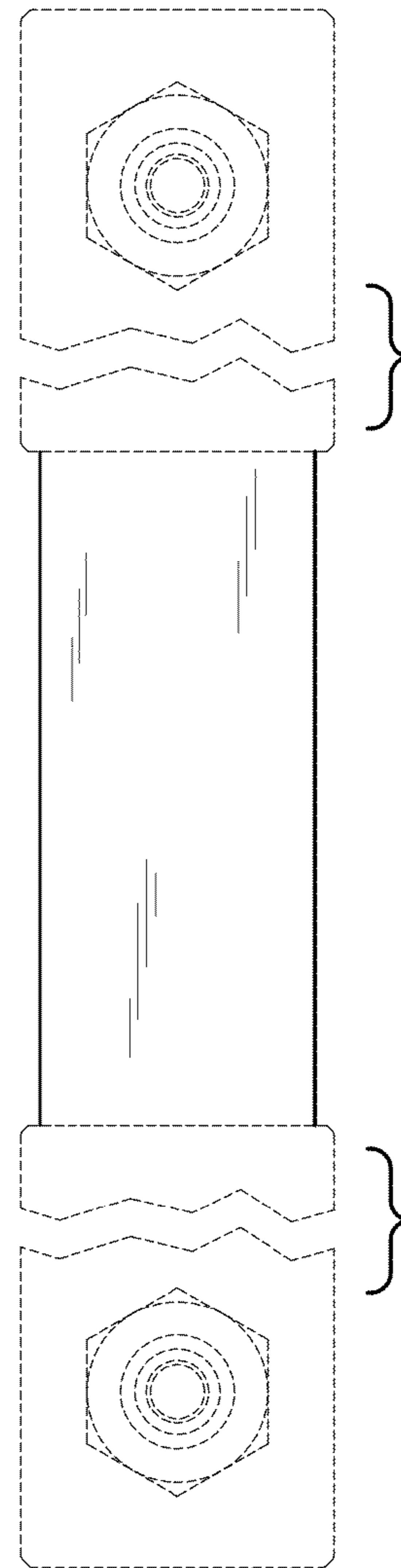


FIG. 23

FIG. 24

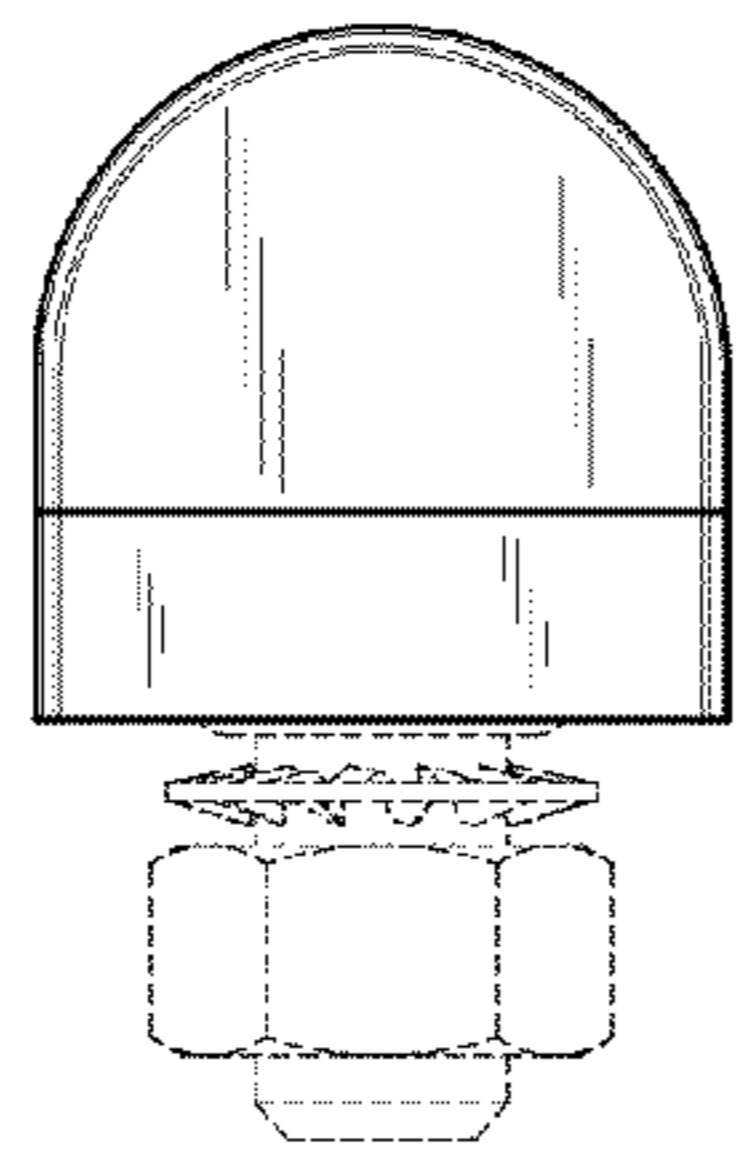
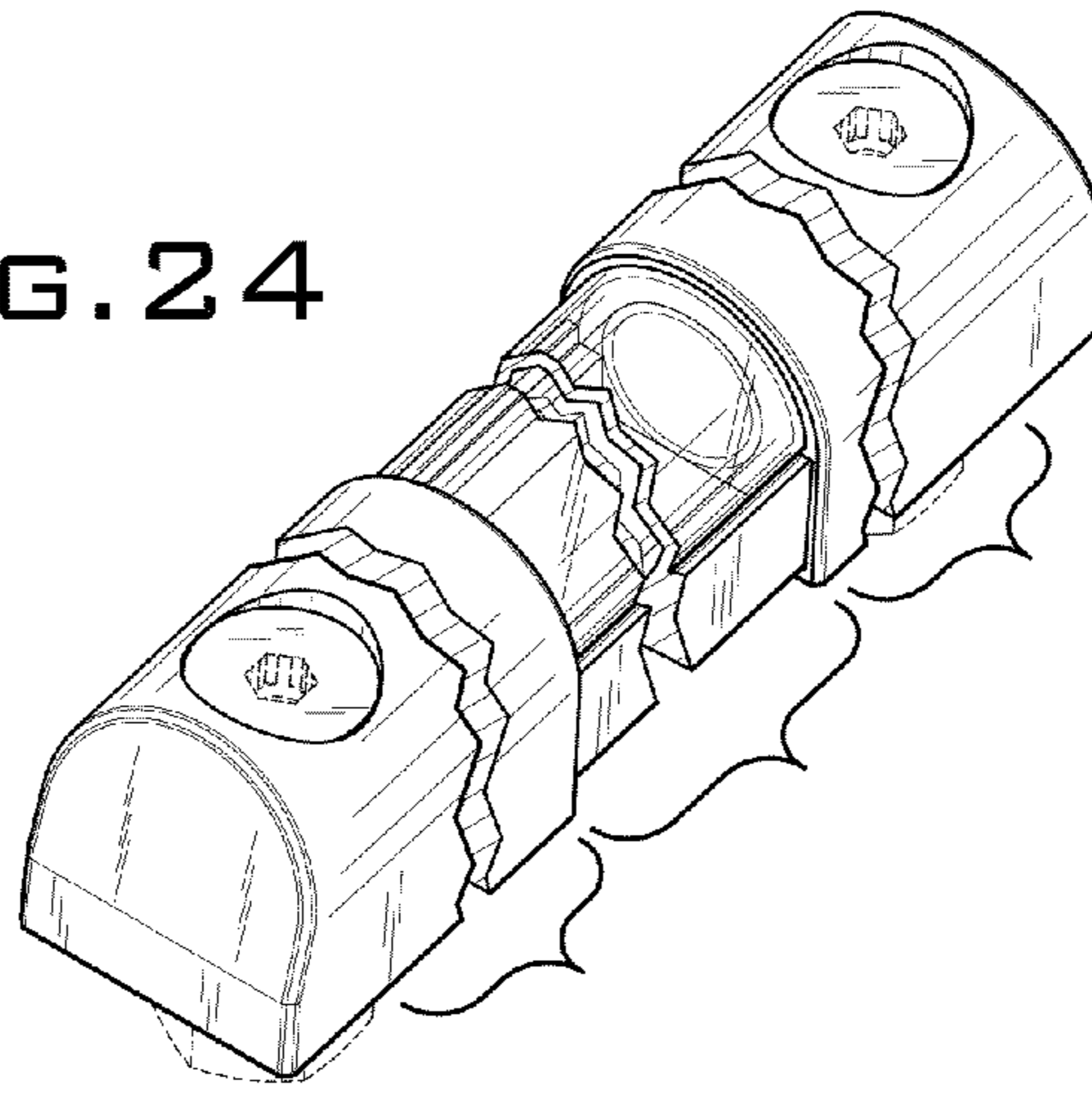


FIG. 27

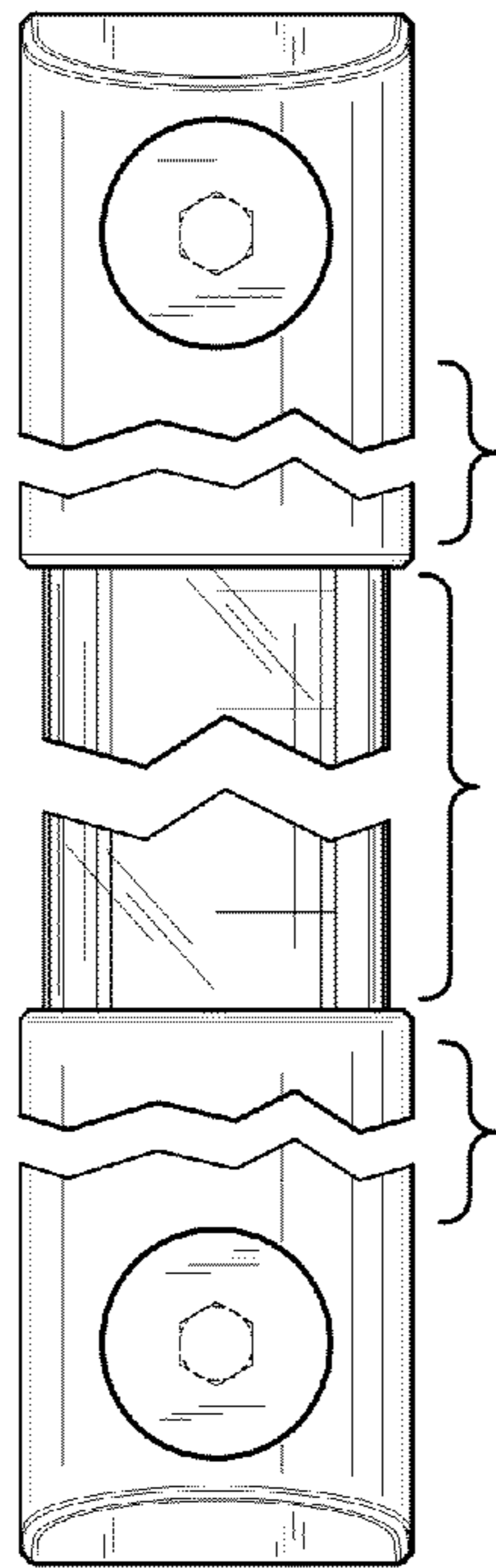


FIG. 25

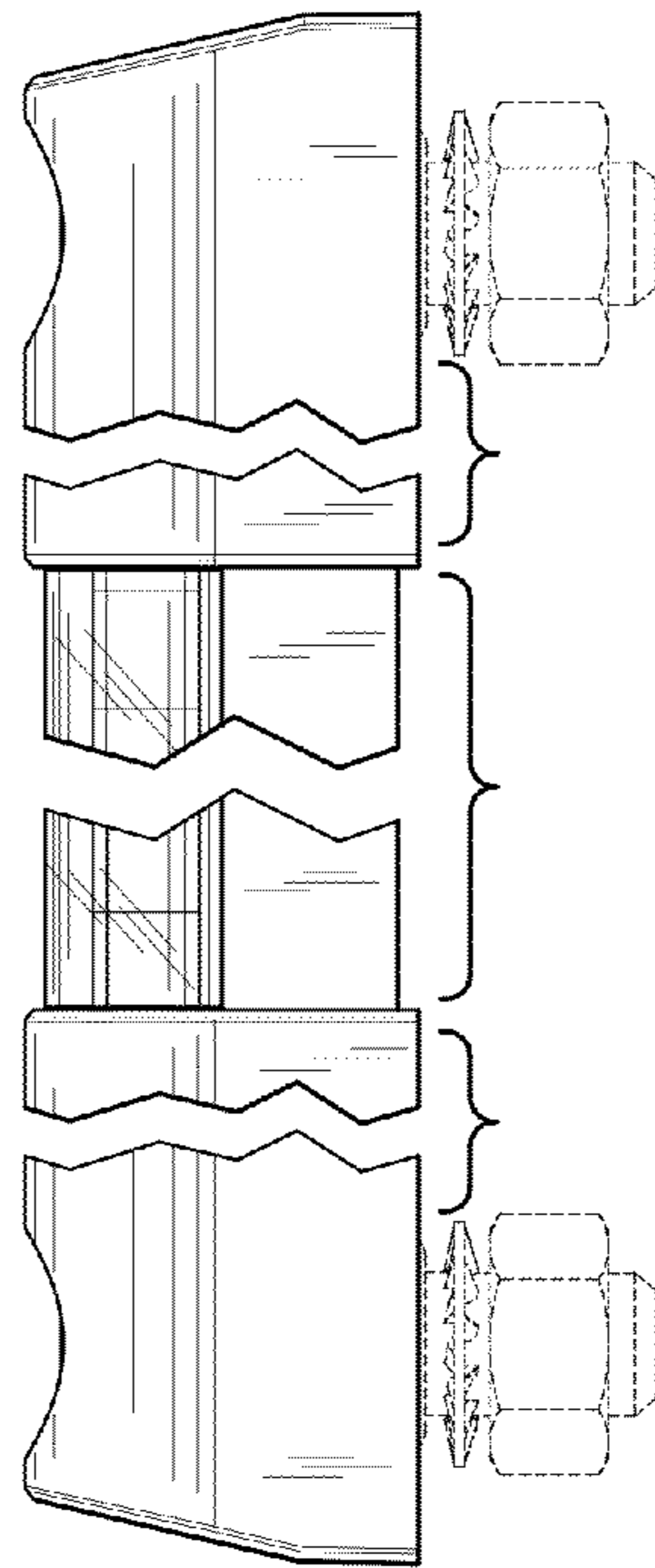


FIG. 26

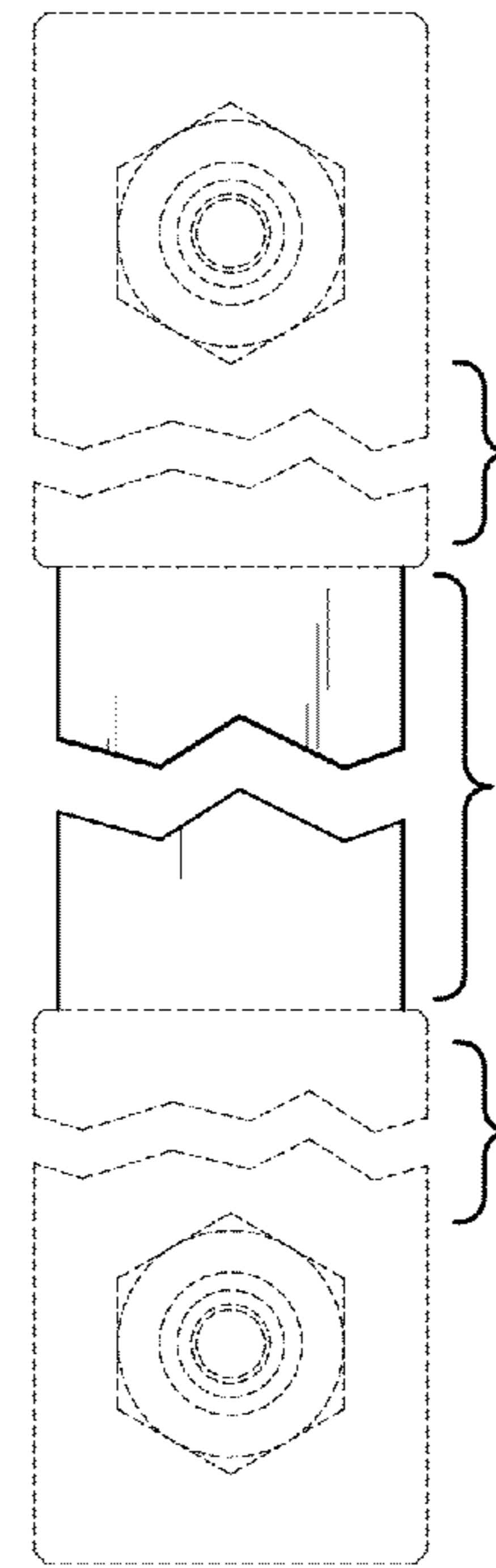


FIG. 28