

US00D678085S

(12) **United States Design Patent**
Bailey et al.

(10) **Patent No.:** **US D678,085 S**
(45) **Date of Patent:** **** Mar. 19, 2013**

- (54) **MEASUREMENT DEVICE**
- (75) Inventors: **Brent Bailey**, Winter Springs, FL (US);
Marc M. Barber, Deltona, FL (US);
Clark H. Briggs, DeLand, FL (US);
David M. Danielson, Sorrento, FL (US);
Orlando Perez, Lake Mary, FL (US)
- (73) Assignee: **Faro Technologies, Inc.**, Lake Mary, FL (US)
- (**) Term: **14 Years**
- (21) Appl. No.: **29/412,910**
- (22) Filed: **Feb. 9, 2012**

Related U.S. Application Data

- (62) Division of application No. 29/379,170, filed on Nov. 16, 2010, now Pat. No. Des. 662,427.
- (51) **LOC (9) Cl.** **10-04**
- (52) **U.S. Cl.** **D10/63; D15/199**
- (58) **Field of Classification Search** **D10/63; D15/199; 33/503-505, 558; 319/560; 700/245, 700/262, 195, 80; 702/150-156, 94, 95, 702/167-169**

See application file for complete search history.

(56) **References Cited**

U.S. PATENT DOCUMENTS

1,538,758	A	5/1925	Taylor	
5,768,792	A	6/1998	Raab	
5,926,782	A	7/1999	Raab	
5,956,857	A	9/1999	Raab	
5,978,748	A	11/1999	Raab	
D423,534	S	4/2000	Raab et al.	
6,131,299	A	10/2000	Raab et al.	
6,151,789	A	11/2000	Raab et al.	
D441,632	S	5/2001	Raab et al.	
6,253,458	B1	7/2001	Raab et al.	
6,366,831	B1 *	4/2002	Raab	700/262
6,497,394	B1	12/2002	Dunchock	
D472,824	S *	4/2003	Raab et al.	D10/63
D479,544	S *	9/2003	Raab et al.	D15/199
D490,831	S *	6/2004	Raab et al.	D15/199
D491,210	S	6/2004	Raab et al.	
6,931,745	B2	8/2005	Granger	
7,024,032	B2	4/2006	Kidd et al.	
7,174,651	B2	2/2007	Raab et al.	
7,246,030	B2	7/2007	Raab et al.	
7,269,910	B2	9/2007	Raab et al.	
D551,943	S	10/2007	Hodjat et al.	
7,296,364	B2	11/2007	Seitz et al.	

7,296,955	B2	11/2007	Dreier	
7,296,979	B2	11/2007	Raab et al.	
D559,657	S	1/2008	Wohlford et al.	
7,525,276	B2	4/2009	Eaton	
7,568,293	B2	8/2009	Ferrari	
D599,226	S	9/2009	Gerent et al.	
7,624,510	B2	12/2009	Ferrari	
D607,350	S *	1/2010	Cooduvalli et al.	D10/63
D610,926	S	3/2010	Gerent et al.	

(Continued)

FOREIGN PATENT DOCUMENTS

EP 2068067 6/2009

(Continued)

Primary Examiner — Antoine D Davis

(74) *Attorney, Agent, or Firm* — Cantor Colburn LLP

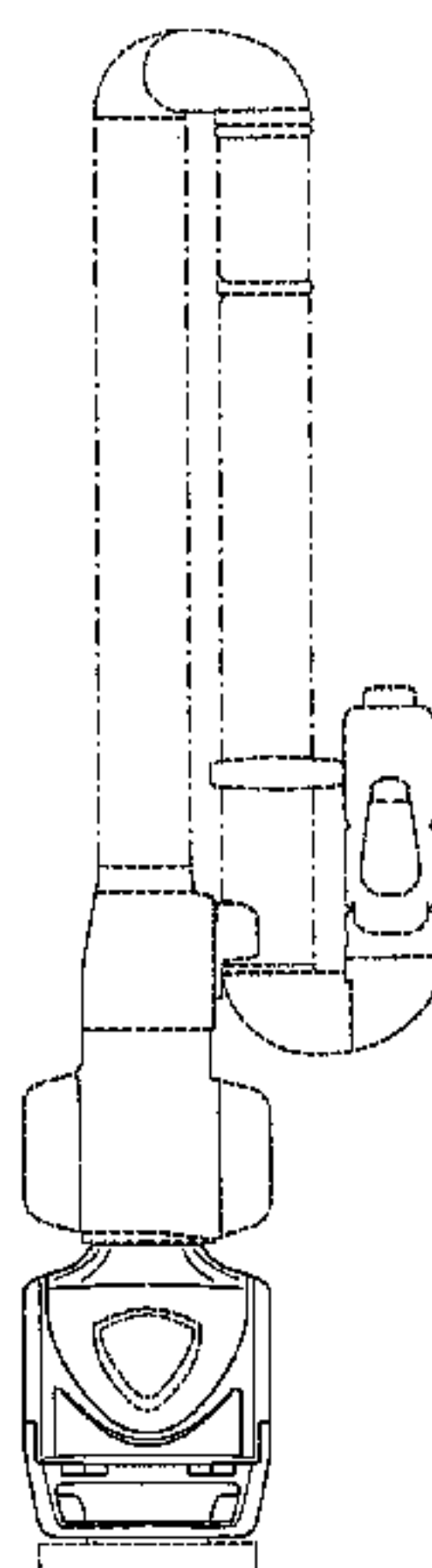
(57) **CLAIM**

We claim the ornamental design for a measurement device, as shown and described.

DESCRIPTION

FIG. 1 is a front plan view of a first embodiment the invention with the articulatable arm in a first position;
 FIG. 2 is a rear plan view of the embodiment of FIG. 1;
 FIG. 3 is a first side plan view of the embodiment of FIG. 1;
 FIG. 4 is a second side plan view of the embodiment of FIG. 1;
 FIG. 5 is a bottom plan view of the embodiment of FIG. 1;
 FIG. 6 is a top plan view of the embodiment of FIG. 1;
 FIG. 7 is a first perspective view of the embodiment of FIG. 1;
 FIG. 8 is a second perspective view of the embodiment of FIG. 1;
 FIG. 9 is a third perspective view of the embodiment of FIG. 1; and,
 FIG. 10 is a perspective view of the embodiment of FIG. 1 with the articulatable arm in a second position.
 The dash-dot lines shown in FIGS. 1-4, 7-10 indicate an indefinite arm portion, the measurement device according to the claimed design may have any length arm portion.
 The phantom lines shown in FIG. 1-FIG. 10 are environmental and not part of the claimed design.
 The color and shading shown in FIG. 1-FIG. 10 forms no part of the claimed design, the measurement device according to the claimed design may be any color or combination of colors.
 The surface treatment shown in FIG. 1-FIG. 10 forms no part of the claimed design, the measurement device of the claimed design may have any surface treatment.
 References to “side”, “top”, “front”, “rear” and “bottom” in the figure descriptions are not meant to require certain in-use orientation; a measurement device according to the claimed design may be used in any orientation.

1 Claim, 6 Drawing Sheets



US D678,085 S

Page 2

U.S. PATENT DOCUMENTS

7,693,325	B2	4/2010	Pulla et al.	
7,743,524	B2	6/2010	Eaton et al.	
7,779,548	B2	8/2010	Ferrari	
7,779,553	B2	8/2010	Jordil et al.	
D643,319	S *	8/2011	Ferrari et al. D10/63
D659,035	S *	5/2012	Ferrari et al. D10/63
D662,427	S *	6/2012	Bailey et al. D10/63
2006/0186301	A1	8/2006	Dozier et al.	
2006/0291970	A1	12/2006	Granger	
2008/0052936	A1	3/2008	Briggs et al.	

2008/0148585	A1	6/2008	Raab et al.
2009/0083985	A1	4/2009	Ferrari
2009/0249634	A1	10/2009	Pettersson
2010/0095542	A1	4/2010	Ferrari
2010/0208062	A1	8/2010	Pettersson
2010/0325907	A1	12/2010	Tait

FOREIGN PATENT DOCUMENTS

EP	2068114	6/2009
WO	2009130169	10/2009

* cited by examiner

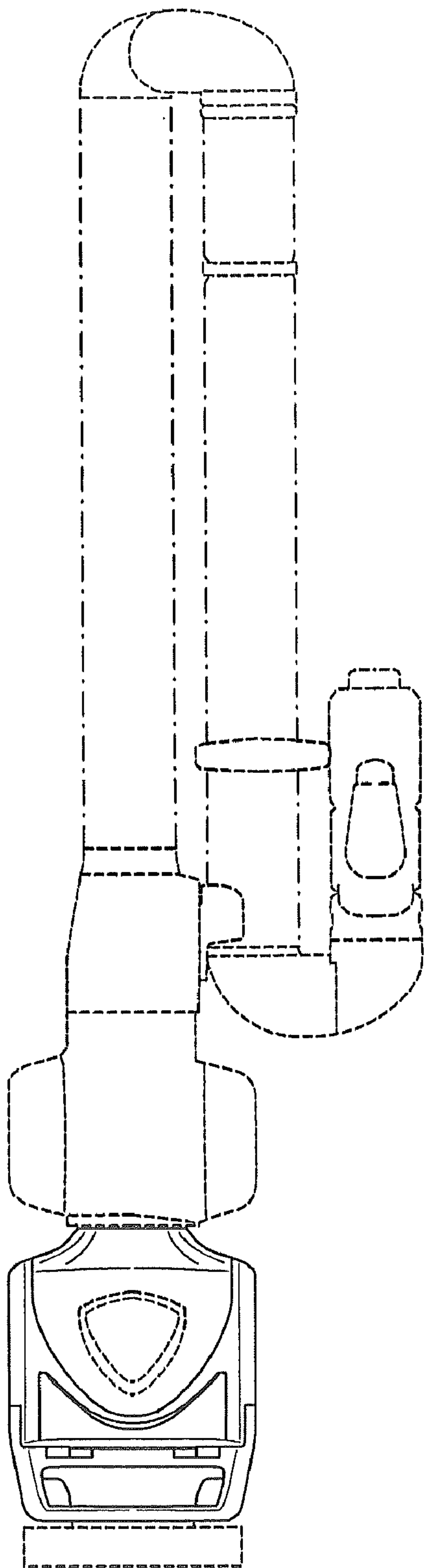


FIG. 1

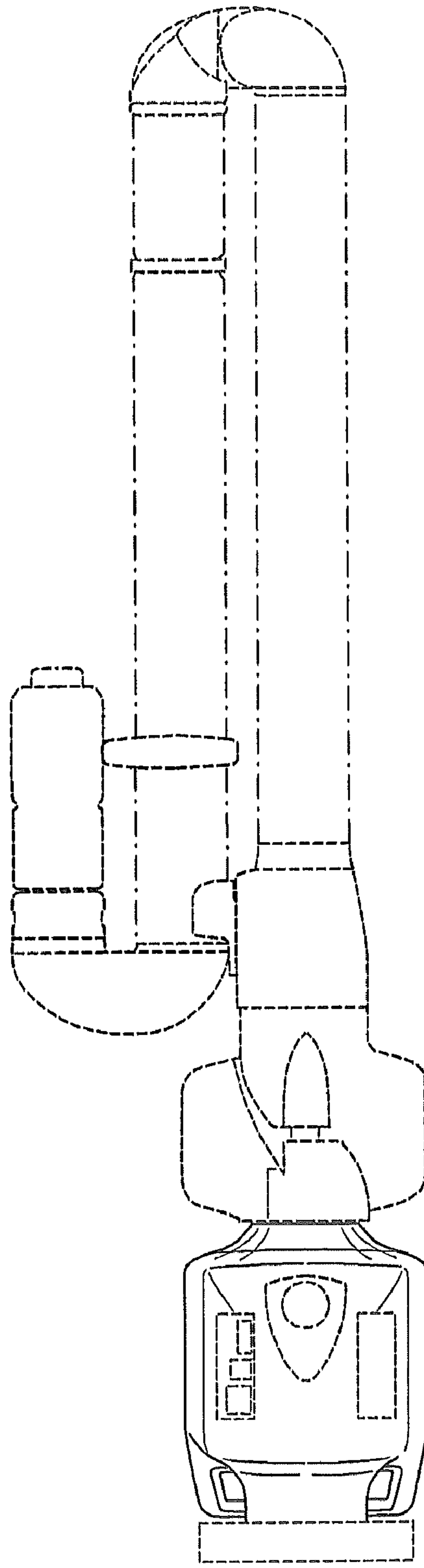


FIG. 2

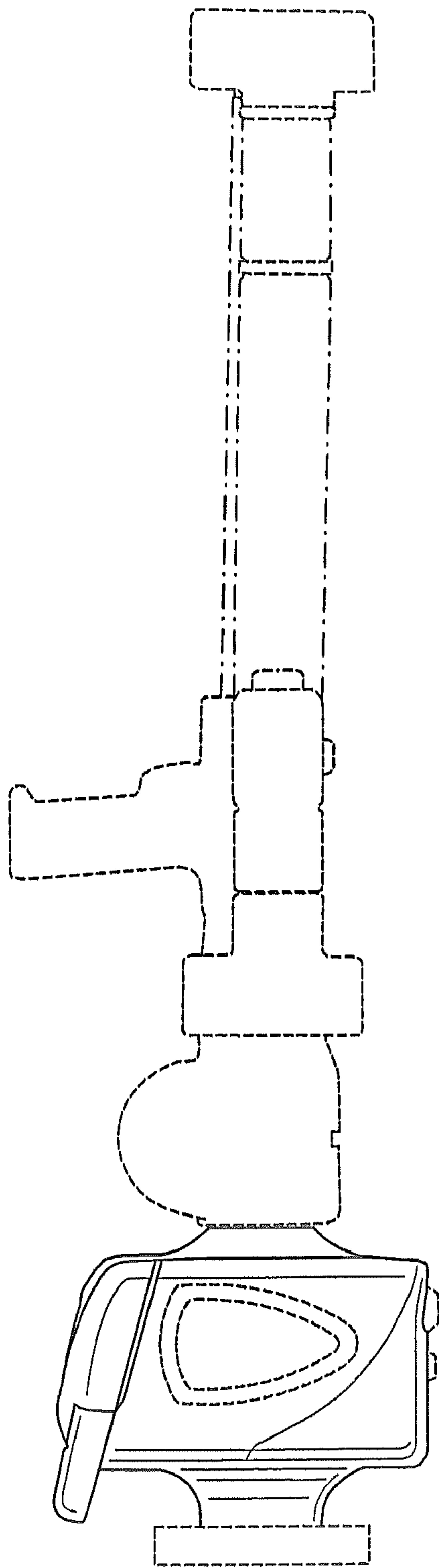


FIG. 3

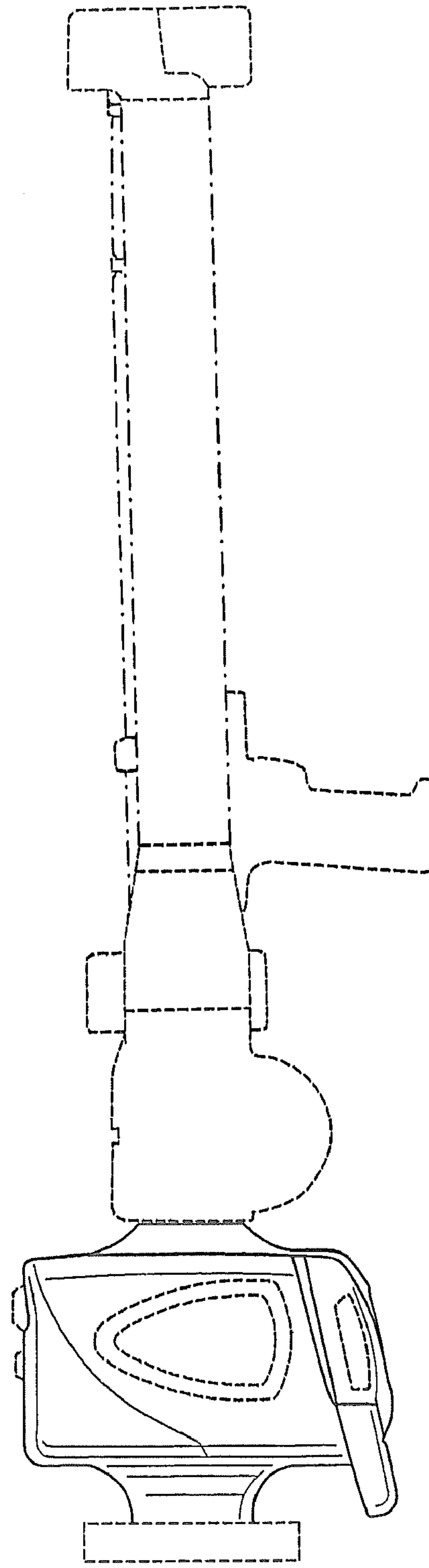


FIG. 4

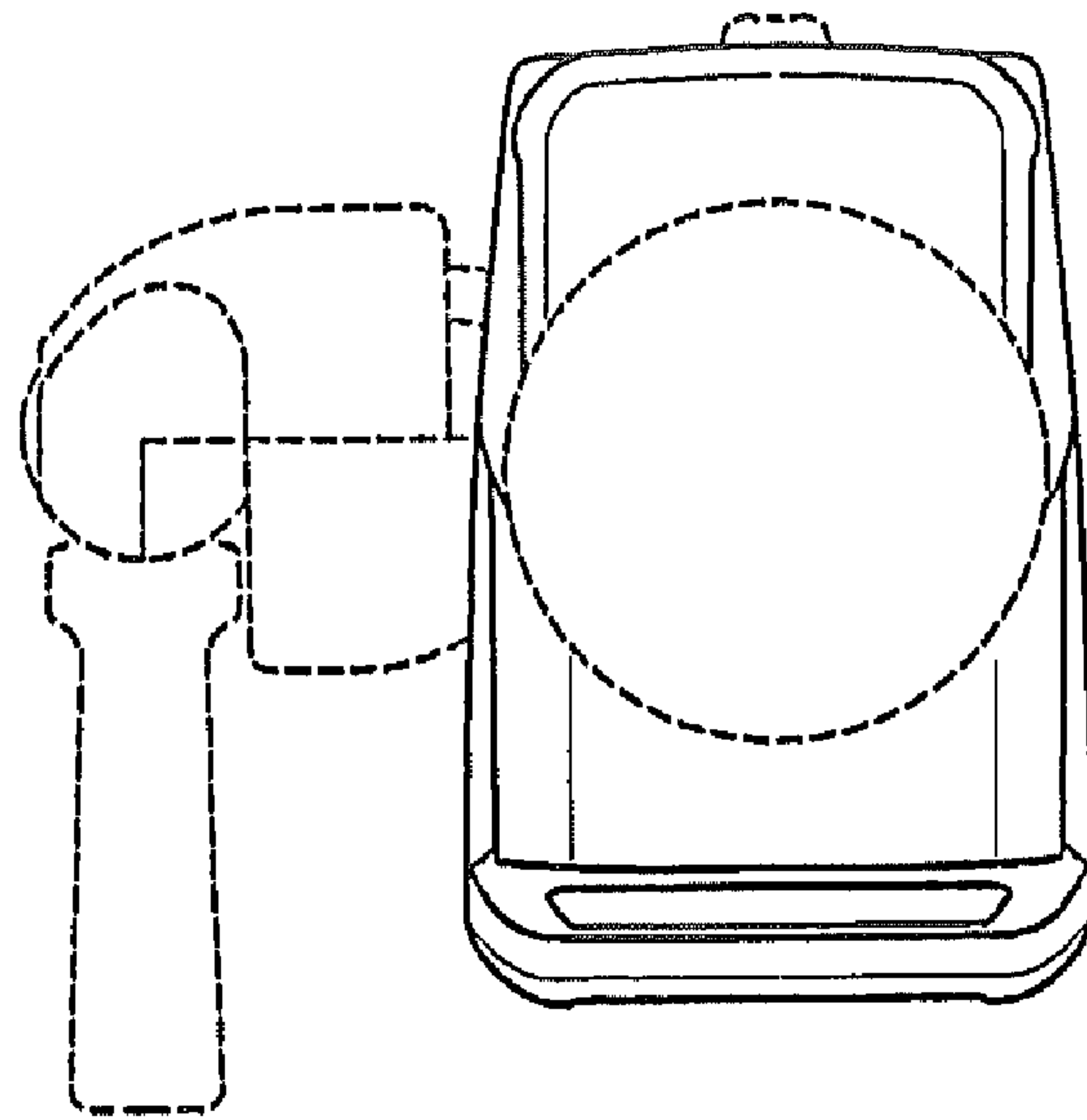


FIG. 5

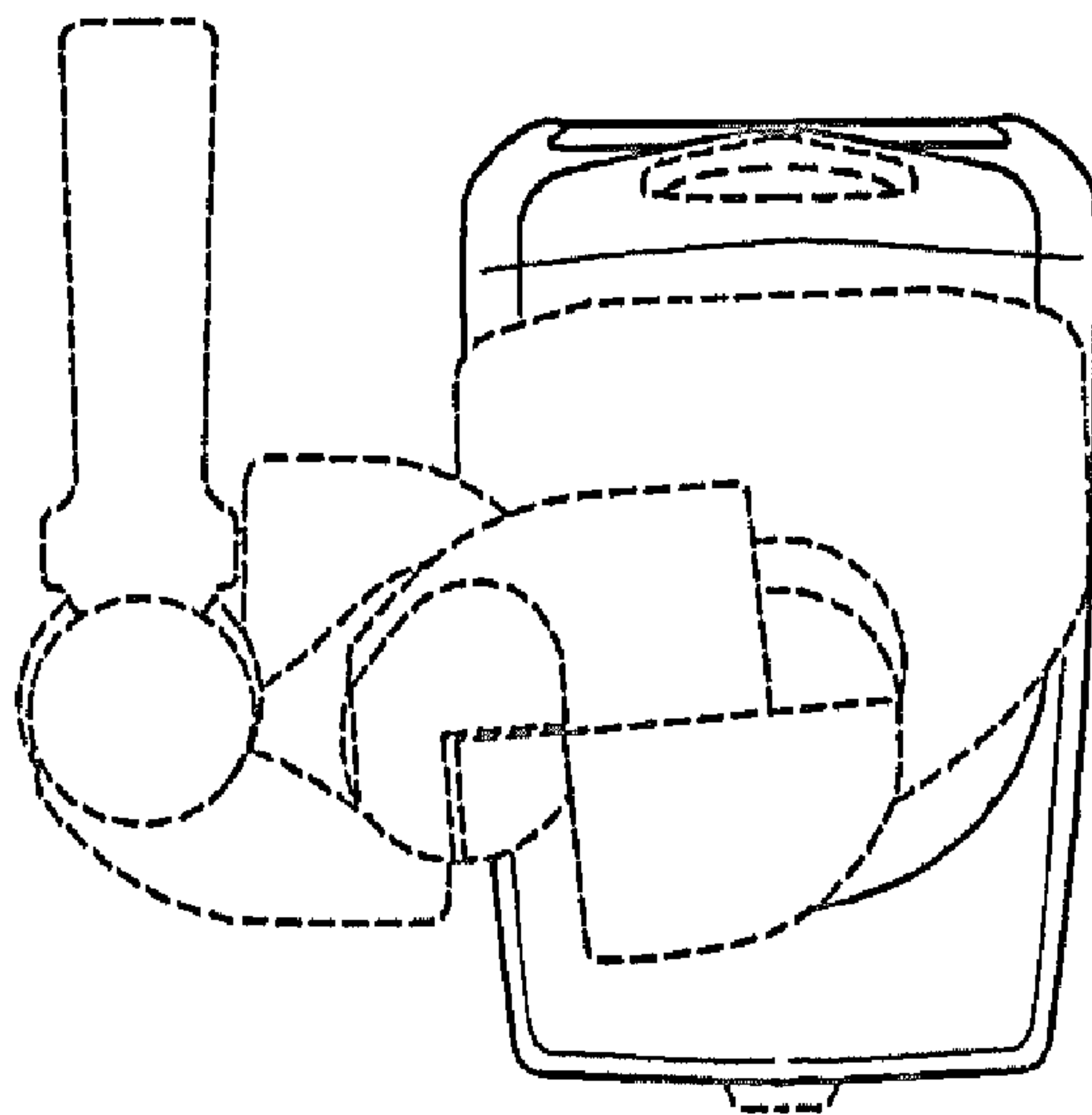


FIG. 6

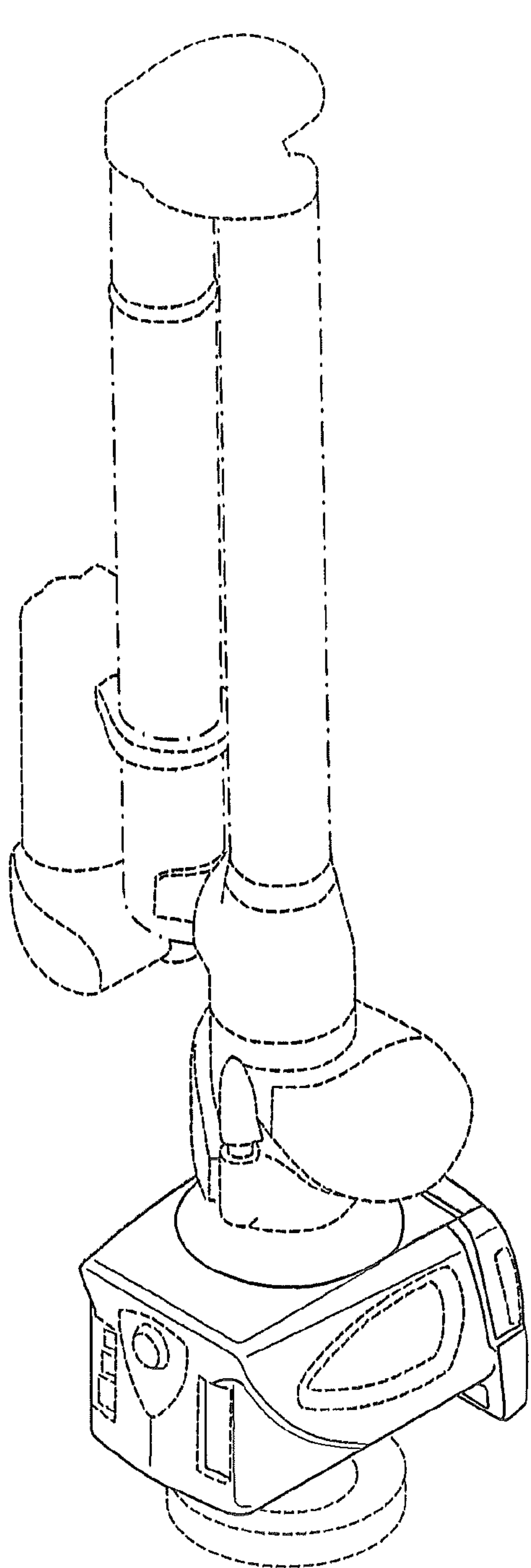


FIG. 7

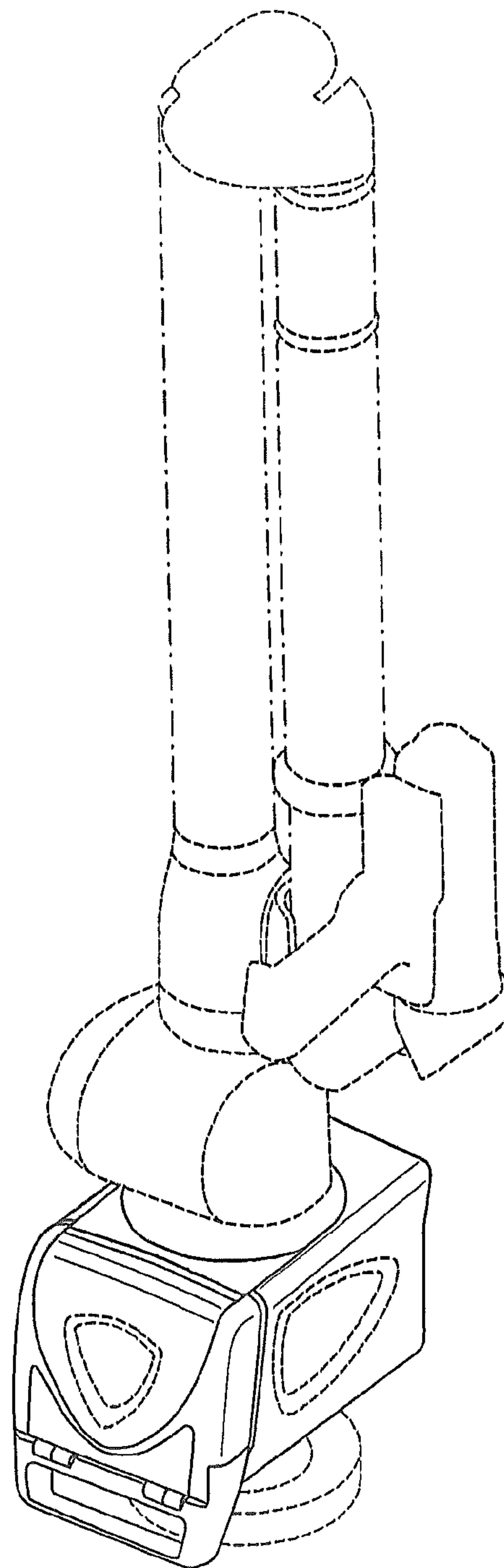


FIG. 8

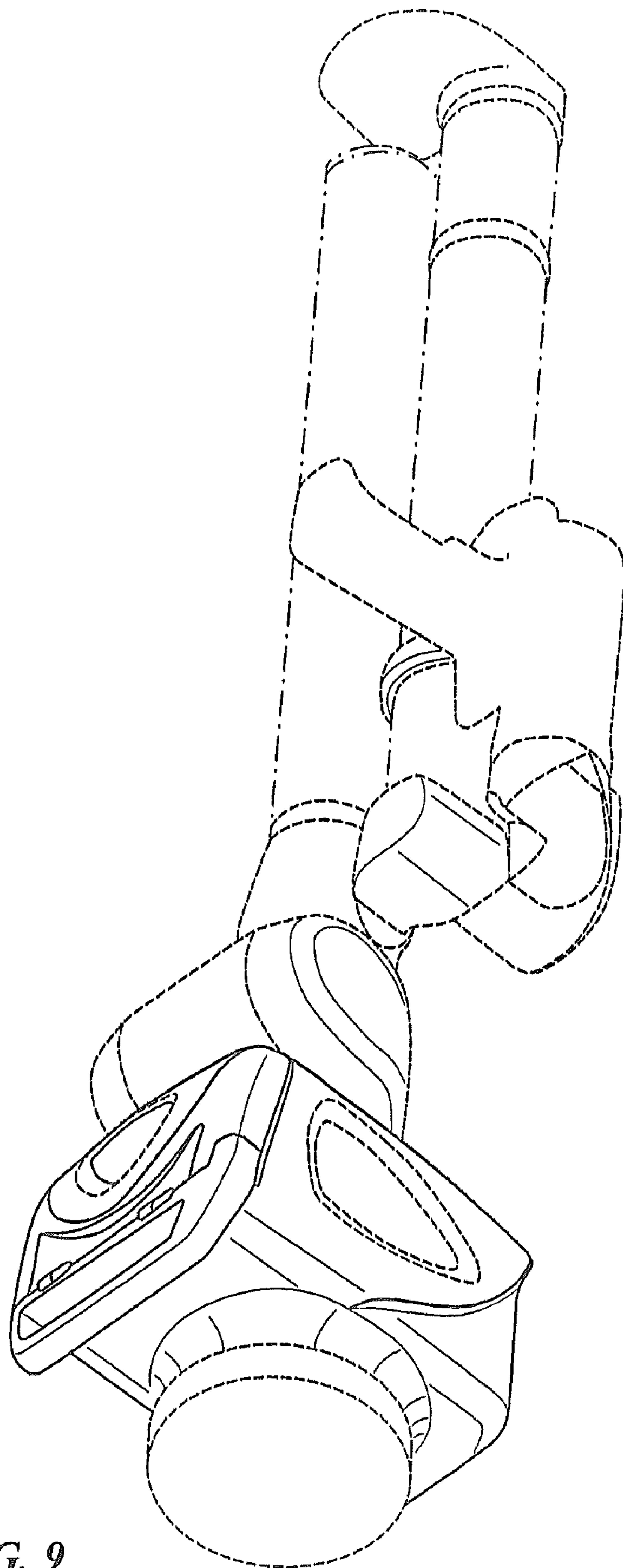


FIG. 9

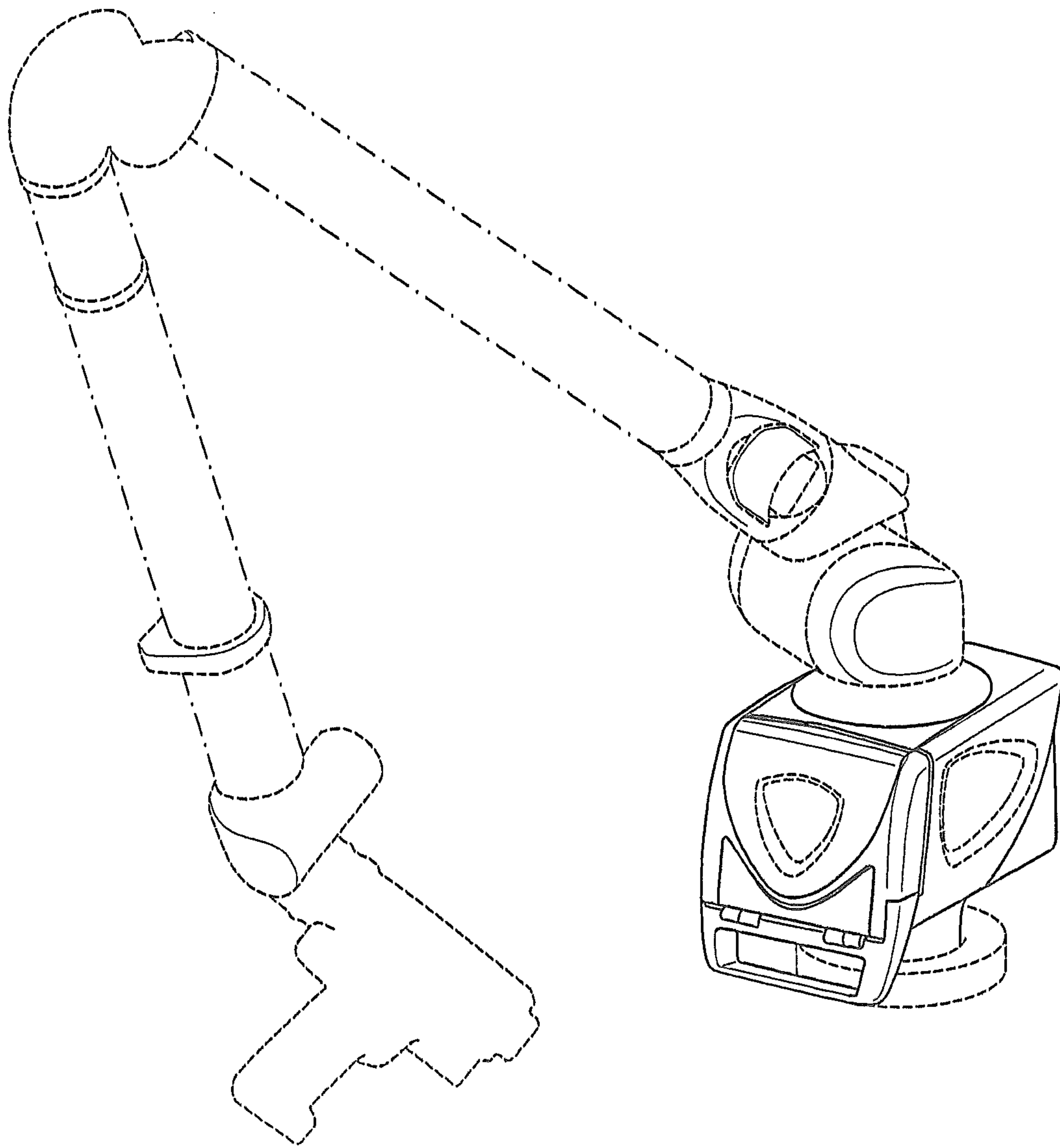


FIG. 10