



US00D678071S

(12) **United States Design Patent**
Handy

(10) **Patent No.:** **US D678,071 S**
(45) **Date of Patent:** **** Mar. 19, 2013**

- (54) **BOTTLE**
- (75) Inventor: **Francis J. Handy**, San Rafael, CA (US)
- (73) Assignee: **Method Products, Inc.**, San Francisco, CA (US)
- (**) Term: **14 Years**
- (21) Appl. No.: **29/401,850**
- (22) Filed: **Sep. 16, 2011**
- (51) **LOC (9) Cl.** **09-01**
- (52) **U.S. Cl.** **D9/526; D9/529; D9/575; D9/724; D9/435; D9/440; D9/454**
- (58) **Field of Classification Search** D9/682, D9/685-686, 690-693, 743, 516, 522, 526-529, D9/544-546, 549, 574-575, 447, 452; 220/660, 220/662, 669, 675; D7/598; D24/111, 114, D24/197; 215/381-385
See application file for complete search history.

- D375,049 S * 10/1996 Vollborth D9/526
- D425,785 S 5/2000 Hirato et al.
- D429,633 S * 8/2000 Godio D9/526 X
- D432,918 S * 10/2000 Aftoora D9/724
- D464,265 S 10/2002 Elliot et al.
- D475,626 S * 6/2003 Baruw D9/526
- 6,631,819 B1 * 10/2003 Diak/Ghanem 215/11.1
- D484,055 S 12/2003 Feigenbaum
- D522,369 S 6/2006 Penn
- D542,135 S 5/2007 Machmadow
- 7,306,121 B2 12/2007 Ophardt et al.
- D592,065 S * 5/2009 England D9/526
- D612,736 S * 3/2010 Pecora D9/522
- D614,032 S 4/2010 Handy
- D622,149 S * 8/2010 Bernstein et al. D9/540 X
- D641,625 S * 7/2011 Kaplan et al. D9/447
- D653,953 S * 2/2012 Wakeman et al. D9/526

* cited by examiner

Primary Examiner — Carol P Rademaker

(57) **CLAIM**
The ornamental design for a bottle, as shown and described.

(56) **References Cited**

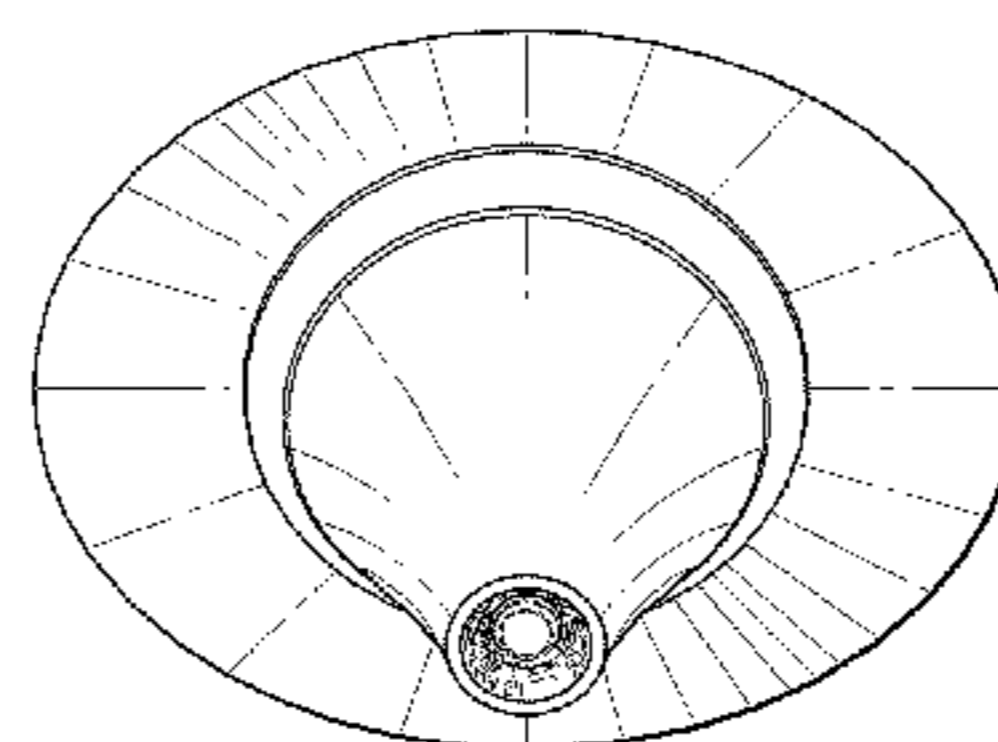
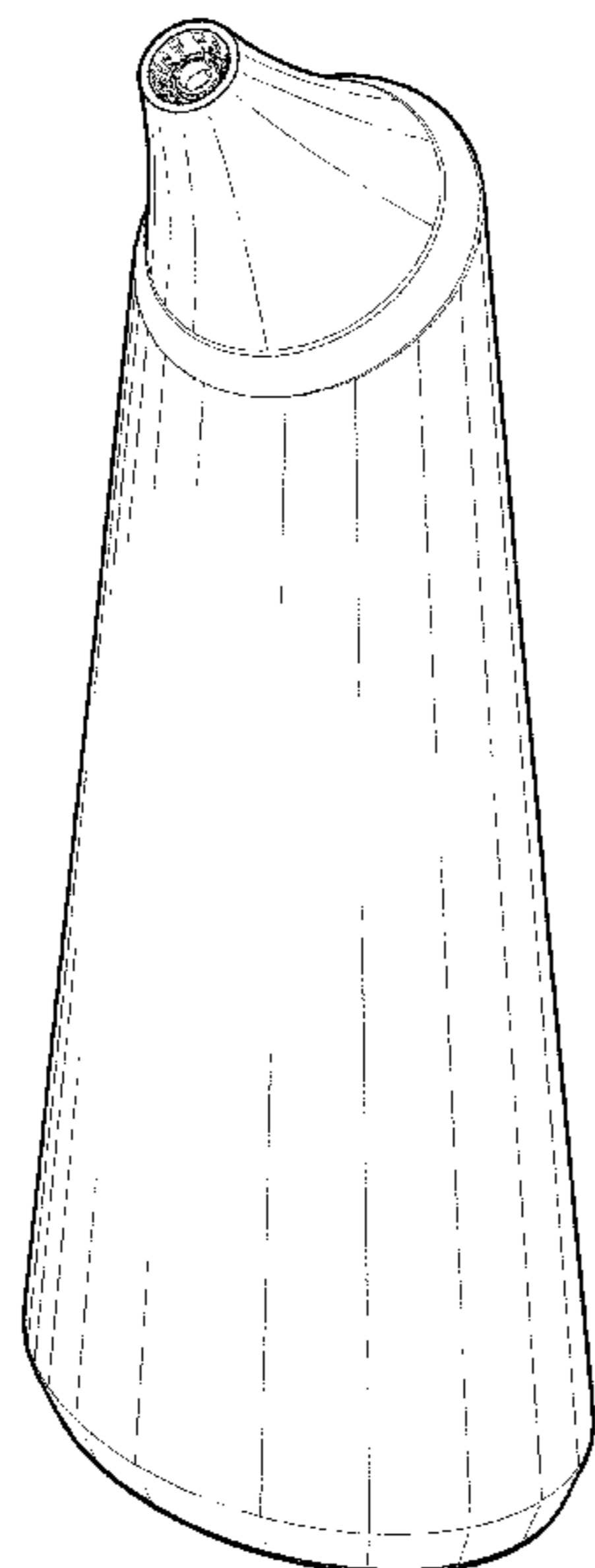
U.S. PATENT DOCUMENTS

- 1,309,948 A 7/1919 Kositchek
- 3,002,722 A 10/1961 Cote
- 3,130,877 A * 4/1964 Miller 222/212 X
- D203,950 S * 3/1966 Swayze D9/526
- D205,554 S 8/1966 St. Clair
- D213,670 S * 4/1969 Waddington D24/110 X
- D236,802 S * 9/1975 McDonald D9/558
- D257,951 S * 1/1981 Reichl D9/526
- D289,261 S * 4/1987 Shadwell D9/724
- 4,832,213 A * 5/1989 Sharon et al. 215/382 X
- D307,714 S * 5/1990 Rosenberg D9/724
- D323,455 S 1/1992 Eichler
- D325,520 S 4/1992 Biesecker
- D328,421 S * 8/1992 Weiler D9/526
- D333,092 S * 2/1993 Moshe D9/549 X
- D342,680 S * 12/1993 Pereira et al. D9/557

DESCRIPTION

FIG. 1 is a top, front, and right side perspective view of a bottle showing my new design;
 FIG. 2 is a front elevational view thereof;
 FIG. 3 is a right side elevational view thereof;
 FIG. 4 is a left side elevational view thereof;
 FIG. 5 is a top plan view thereof; and
 FIG. 6 is a bottom plan view thereof; and
 FIG. 7 is a bottom, front perspective view thereof.
 The broken lines shown in the drawings are included for the purpose of illustrating environmental structure of the bottle and form no part of the claimed design. The shading in the figures is intended to show contour and is not surface ornamentation.

1 Claim, 6 Drawing Sheets



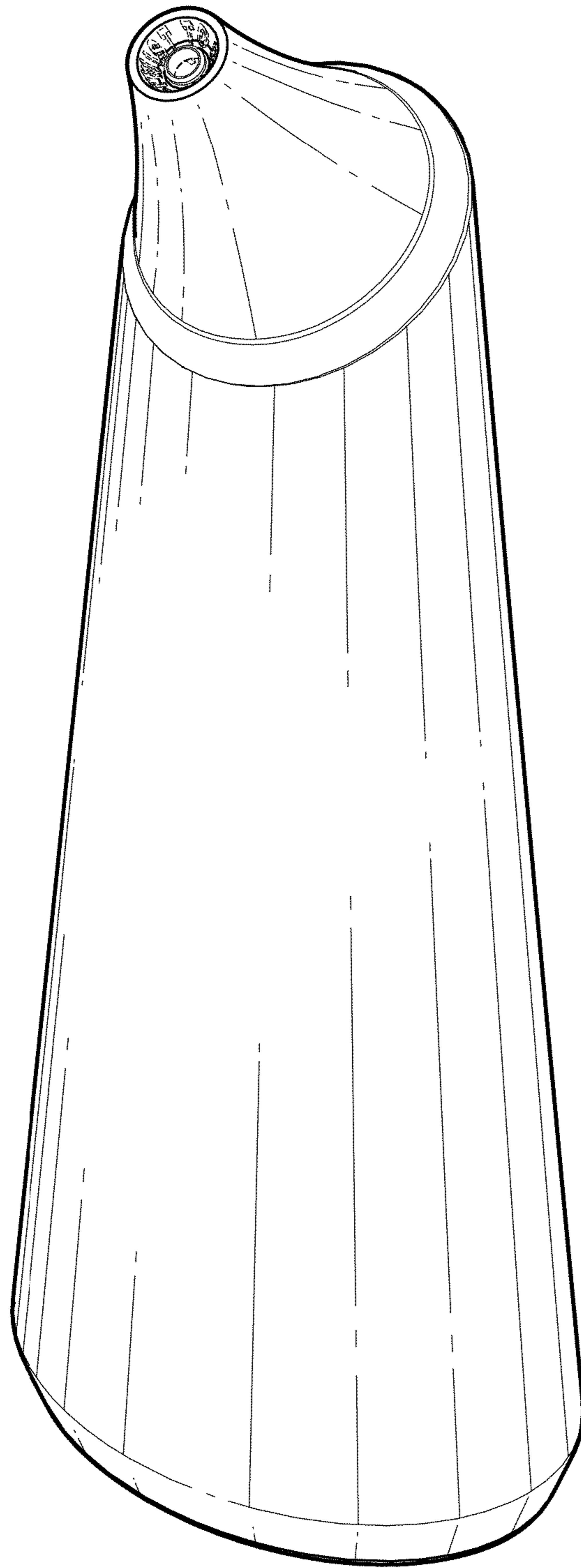


FIG. 1

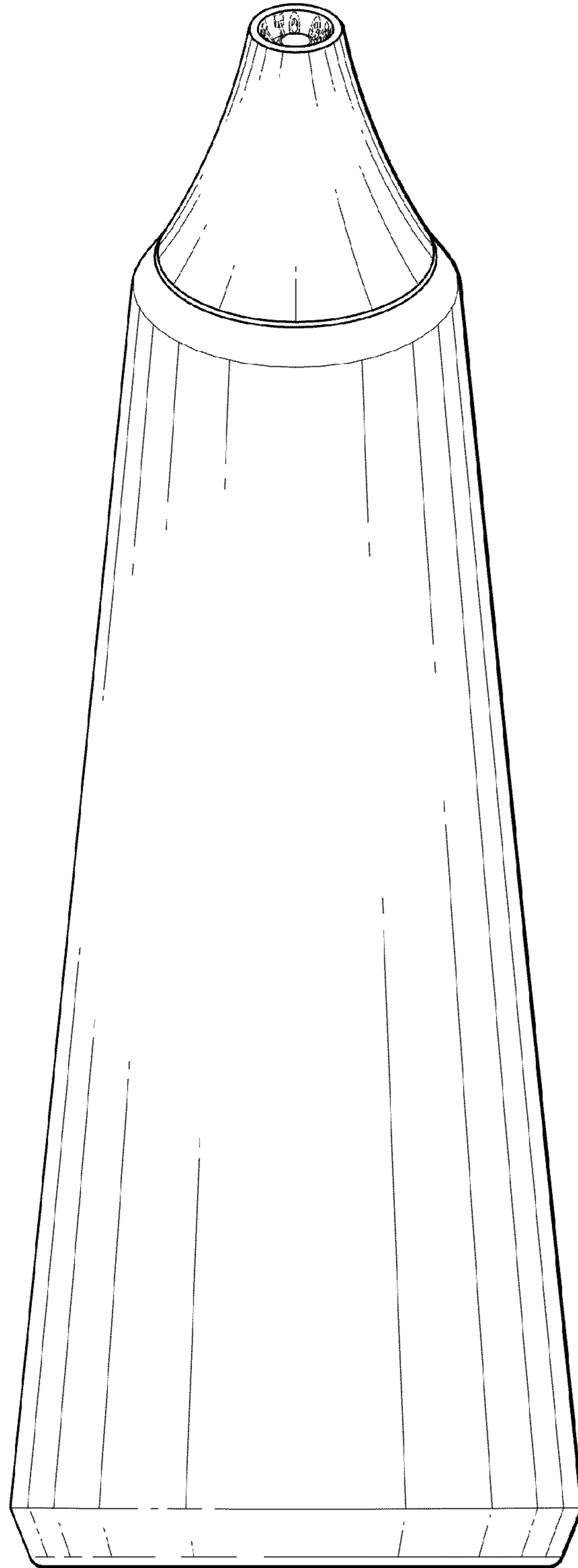


FIG. 2

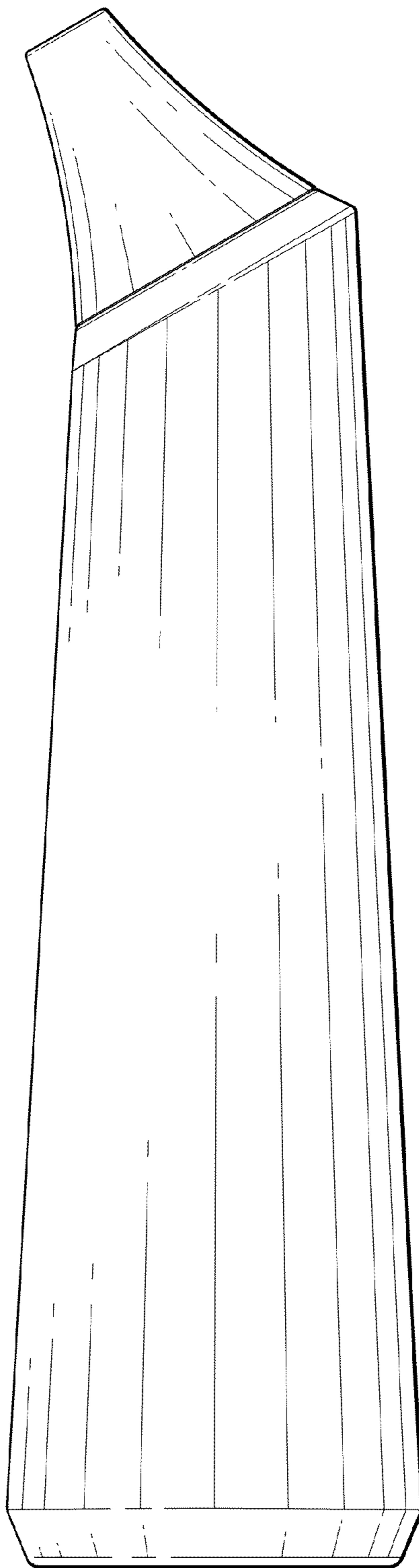


FIG. 3

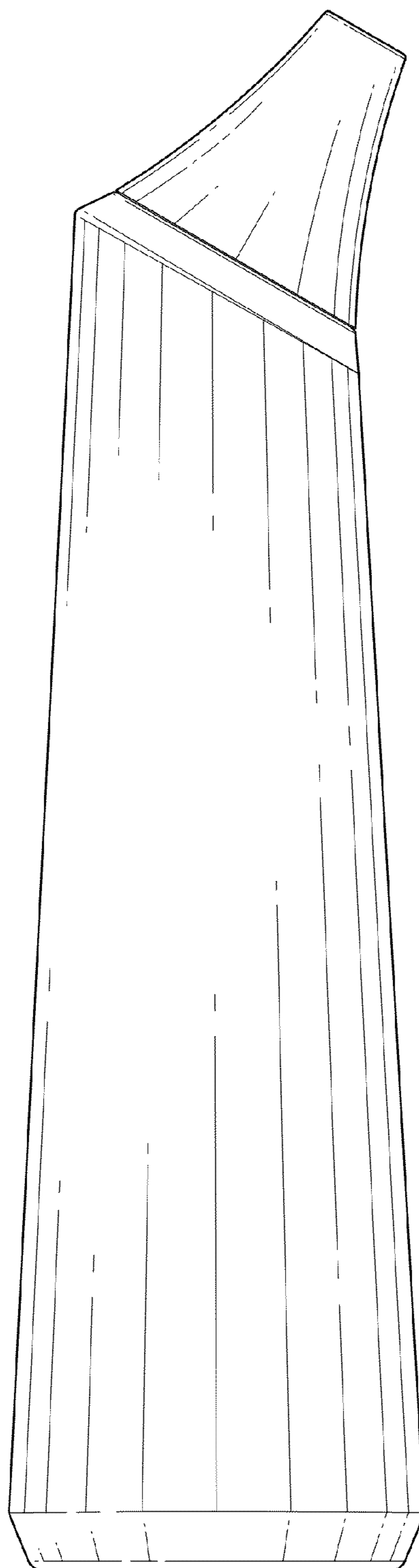


FIG. 4

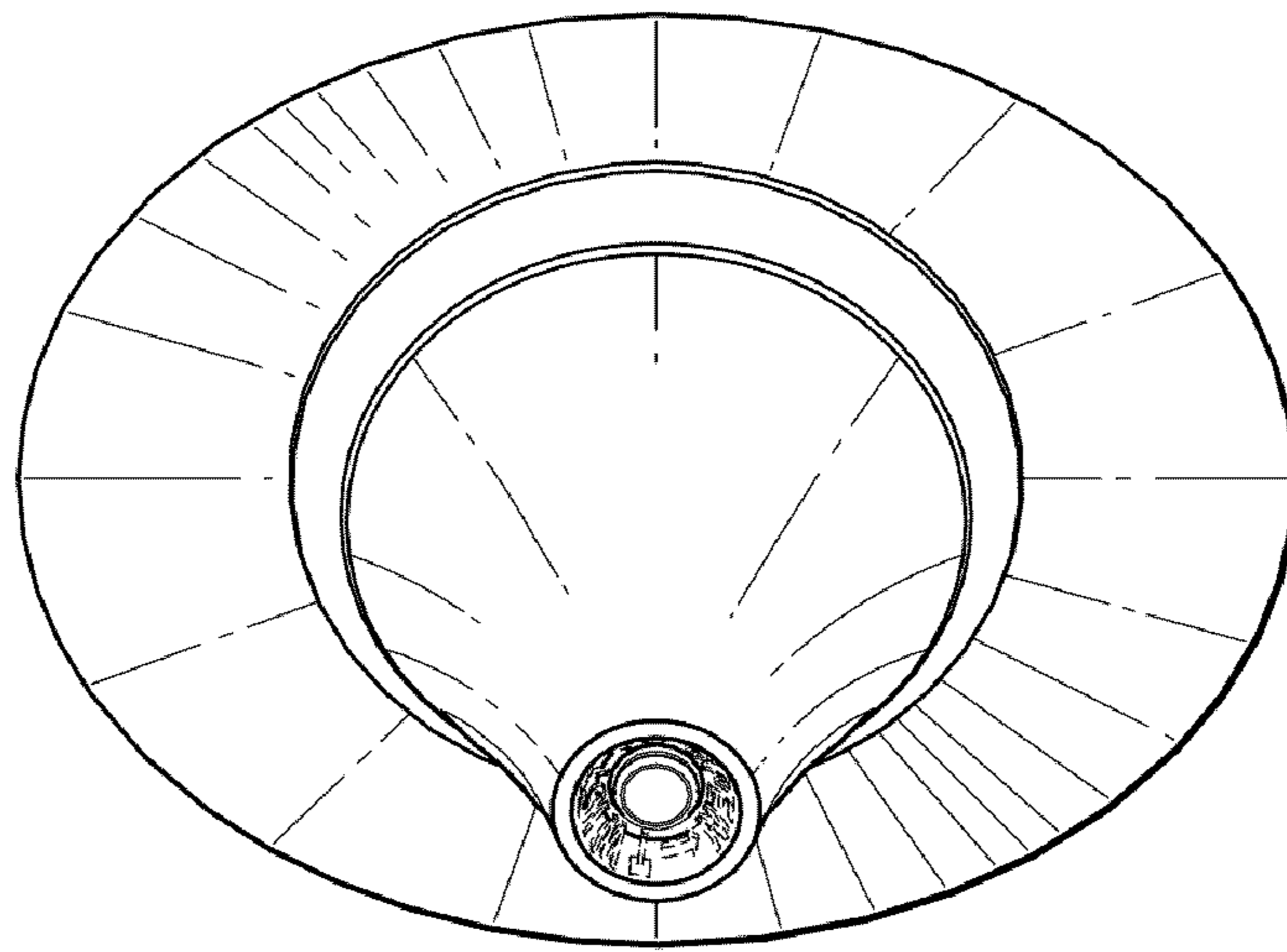


FIG. 5

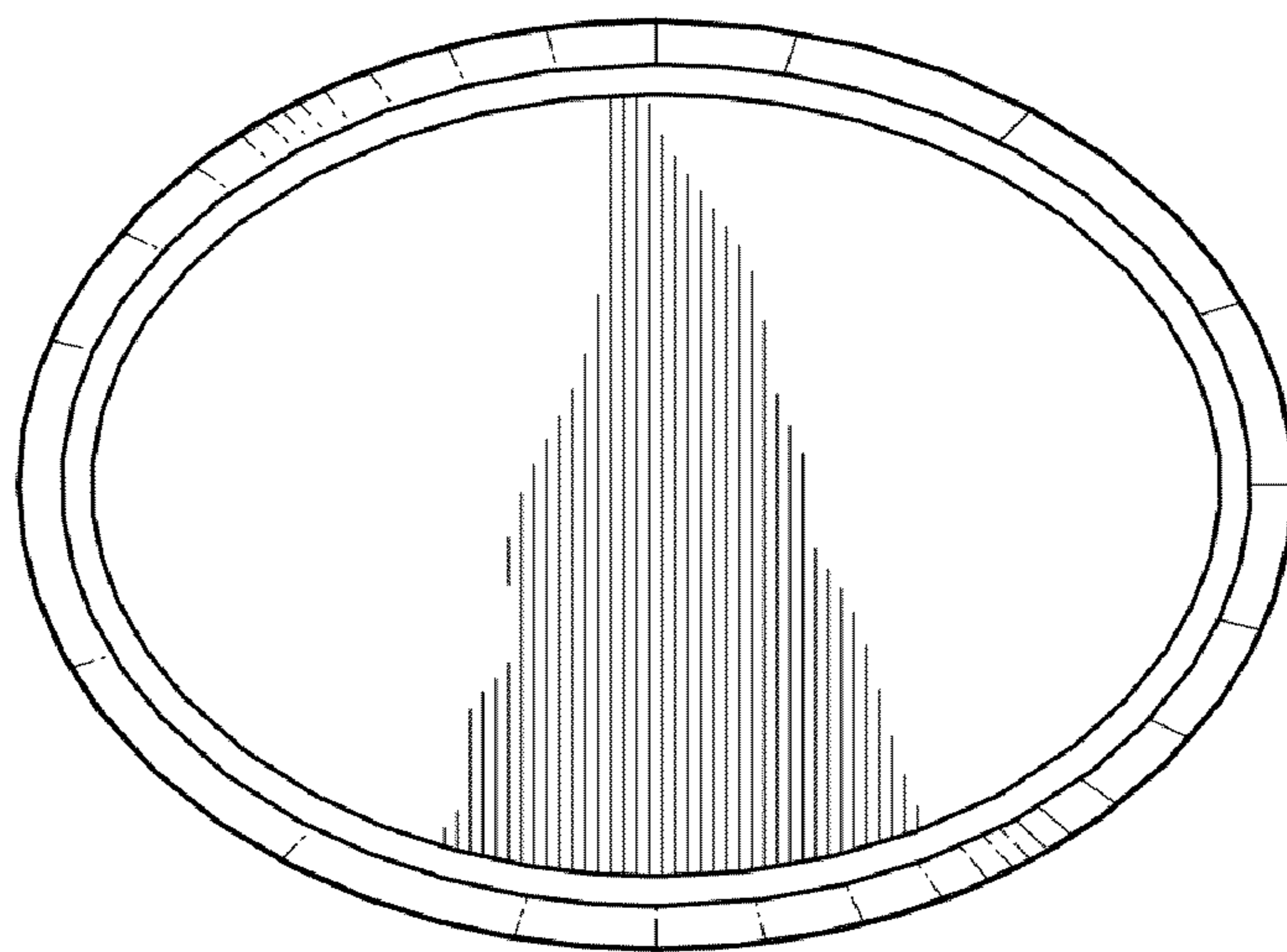


FIG. 6

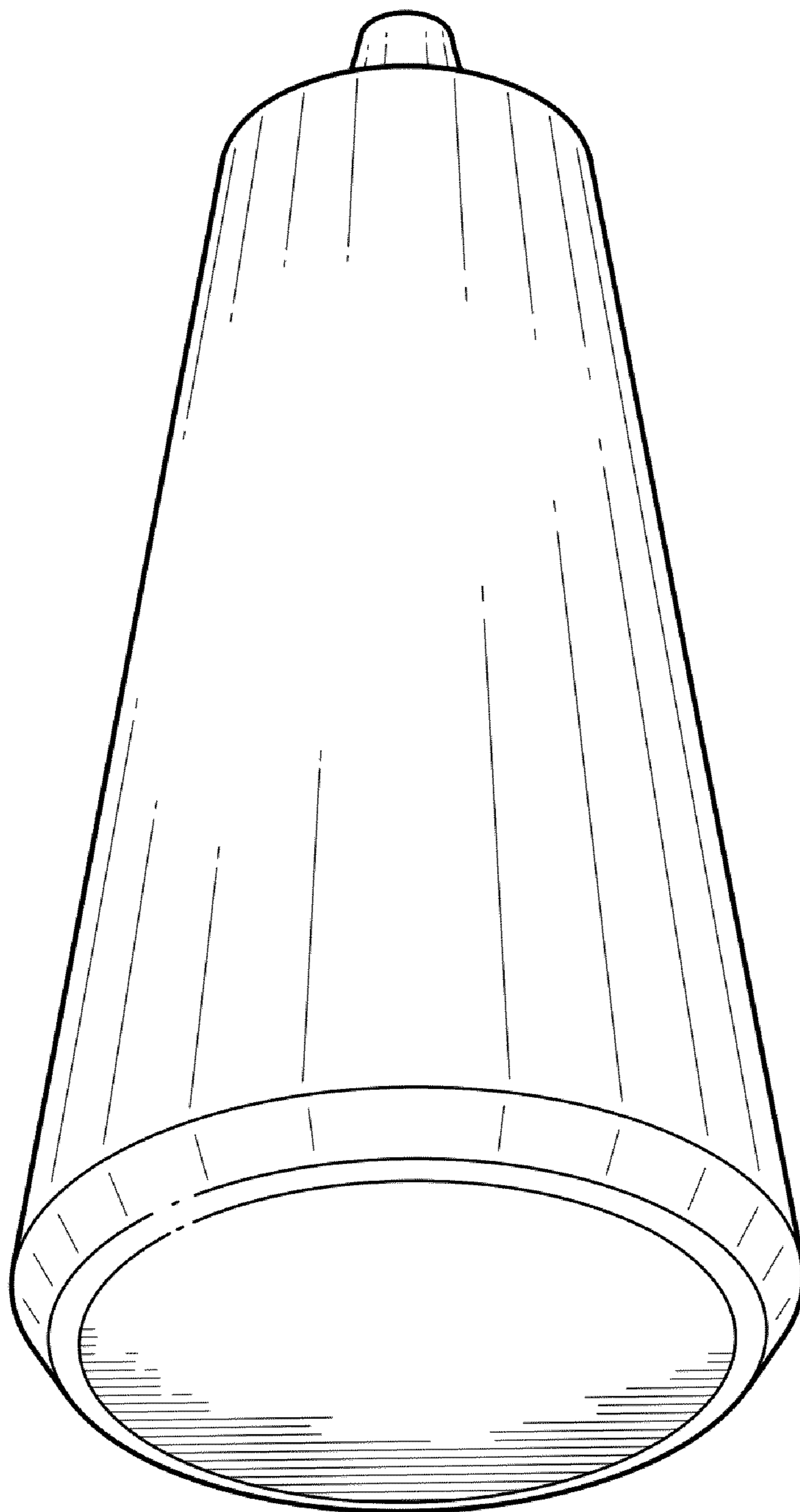


FIG. 7