

US00D678066S

(12) **United States Design Patent**
Arnell et al.

(10) **Patent No.:** **US D678,066 S**
(45) **Date of Patent:** **** Mar. 19, 2013**

- (54) **CAP**
- (75) Inventors: **Peter E. Arnell**, New York, NY (US);
Nicole Green, Barrington, IL (US);
Marc T. Wiescinski, Chicago, IL (US);
Brent S. Nelson, Lakewood, WI (US);
Paul Gahlman, Muskego, WI (US); **Tim Mazurkiewicz**, Milwaukee, WI (US);
Matt Meisner, Crystal Lake, IL (US);
Michael Cannamela, New York, NY (US);
Jonathan Kim, Brooklyn, NY (US);
Jung-ah Suh, New York, NY (US)
- (73) Assignee: **Tropicana Products, Inc.**, Bradenton, FL (US)
- (**) Term: **14 Years**
- (21) Appl. No.: **29/414,554**
- (22) Filed: **Feb. 29, 2012**
(Under 37 CFR 1.47)

6,948,643	B1	9/2005	Lohraman
D513,987	S	1/2006	Bansal
D529,803	S	10/2006	Zaidman
D531,905	S	11/2006	Day
D573,878	S	7/2008	Rathbone et al.
D576,876	S	9/2008	Mount
D581,795	S	12/2008	Appelholm
D601,019	S	9/2009	Zupan
D604,159	S	11/2009	Pugne
7,644,843	B1	1/2010	Bush et al.
D609,092	S	2/2010	Laib et al.
D609,093	S	2/2010	Wiescinski et al.
D625,999	S	10/2010	Arnell et al.
D628,893	S	12/2010	Groubert et al.
D629,300	S	12/2010	Arnell et al.
D638,293	S	5/2011	Arnell et al.
2007/0170191	A1	7/2007	Arvidsson et al.

OTHER PUBLICATIONS

Tropicana Trademark, Registration No. 3831666, Filed Jan. 11, 2010.*

* cited by examiner

Primary Examiner — Sandra Morris

(74) *Attorney, Agent, or Firm* — Banner & Witcoff, Ltd.

(57) **CLAIM**

The ornamental design for a cap, as shown and described.

DESCRIPTION

FIG. 1 is a top, front, right perspective view of a cap showing our new design;
 FIG. 2 is a top view thereof;
 FIG. 3 is a right side view thereof;
 FIG. 4 is a left side view thereof;
 FIG. 5 is a front view thereof; and
 FIG. 6 is a rear view thereof.
 FIG. 7 is a top, front, right perspective view of a cap of FIGS. 1-6 in an open position;
 FIG. 8 is a top view thereof;
 FIG. 9 is a right side view thereof;
 FIG. 10 is a left side view thereof;
 FIG. 11 is a front view thereof; and,
 FIG. 12 is a rear view thereof.

The uneven-length broken lines represent unclaimed boundaries of the claimed design. The even-length broken lines showing the remainder of the cap are for environmental purposes only and form no part of the claimed design.

1 Claim, 5 Drawing Sheets

Related U.S. Application Data

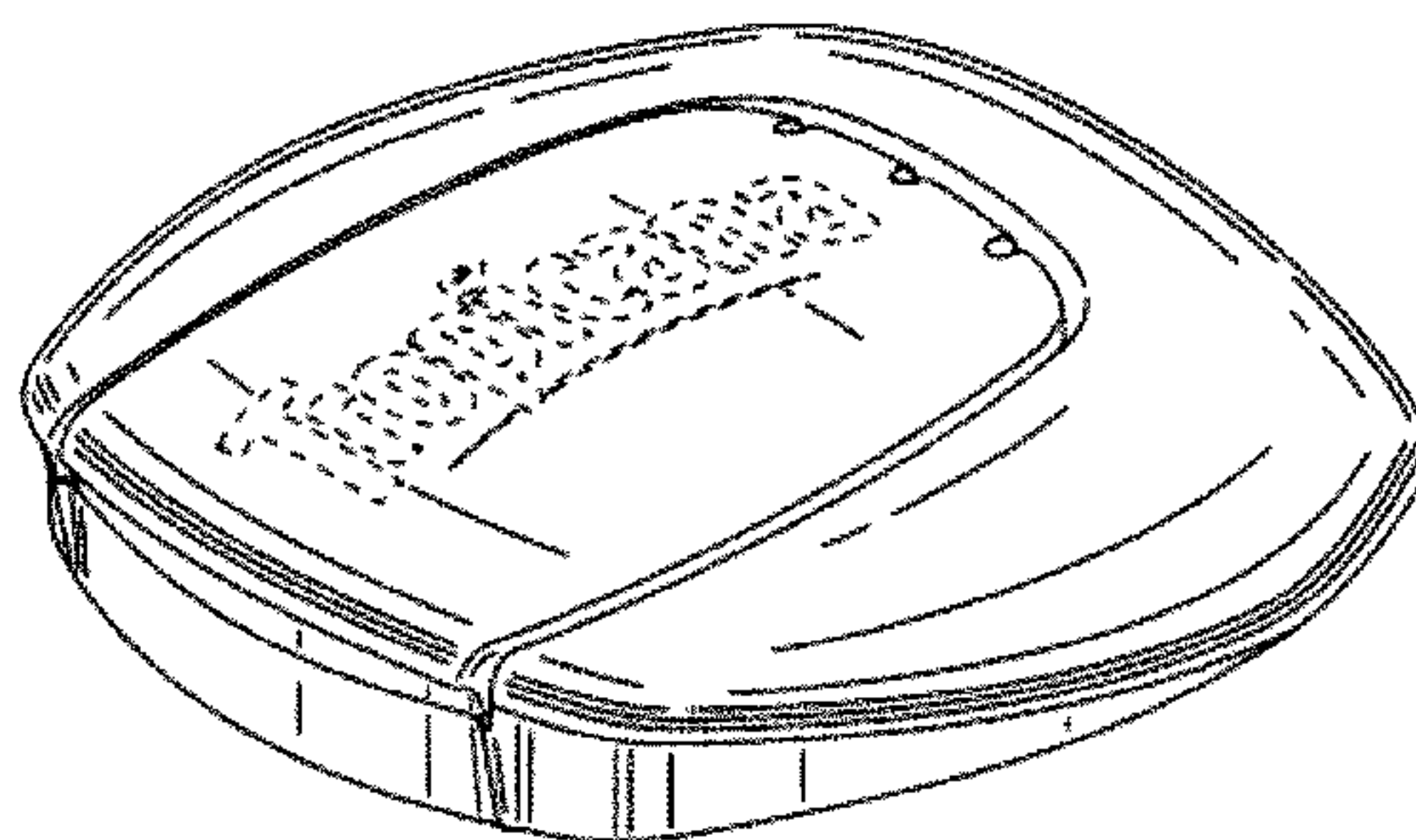
- (63) Continuation of application No. 29/397,560, filed on Jul. 18, 2011, now abandoned, which is a continuation of application No. 29/380,214, filed on Dec. 1, 2010, now abandoned.

- (51) **LOC (9) Cl.** **09-07**
- (52) **U.S. Cl.** **D9/449**
- (58) **Field of Classification Search** D7/392.1;
D9/600, 652, 667, 434-435, 449, 451; 206/457,
206/527, 540; 220/890
See application file for complete search history.

(56) **References Cited**

U.S. PATENT DOCUMENTS

D184,567	S	3/1957	Keck
D278,312	S	4/1985	Cleevely et al.
4,568,005	A	2/1986	Jalovec et al.
D356,499	S	3/1995	Cautereels et al.
5,499,736	A	3/1996	Kohl
5,699,912	A	12/1997	Ishikawa et al.
D473,740	S	4/2003	Ruhotas et al.
6,561,391	B1	5/2003	Baker
D480,268	S	10/2003	Laib
D480,641	S	10/2003	Hurlbut et al.
D495,545	S	9/2004	Niehues
D497,195	S	10/2004	Nishi et al.



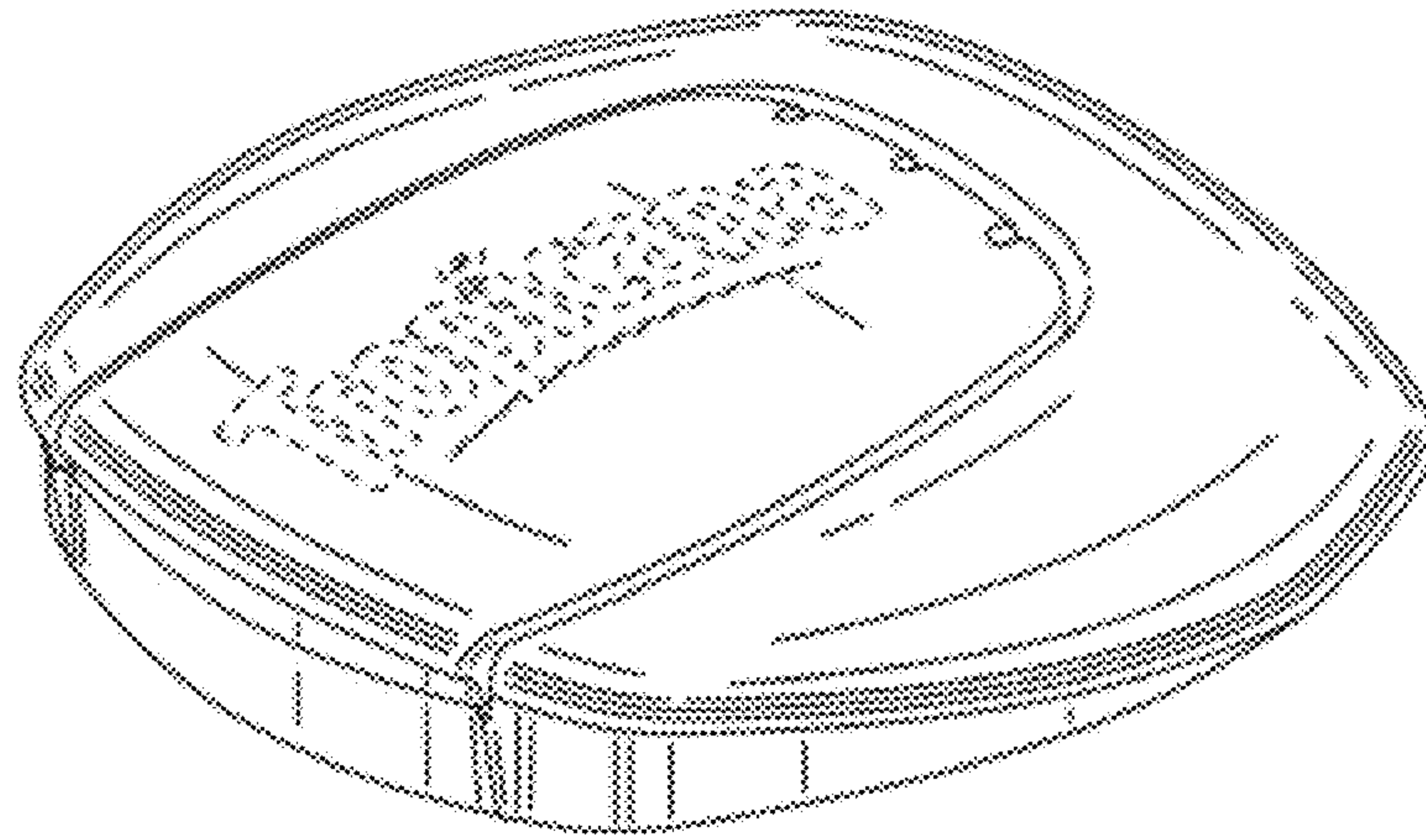


FIG. 1

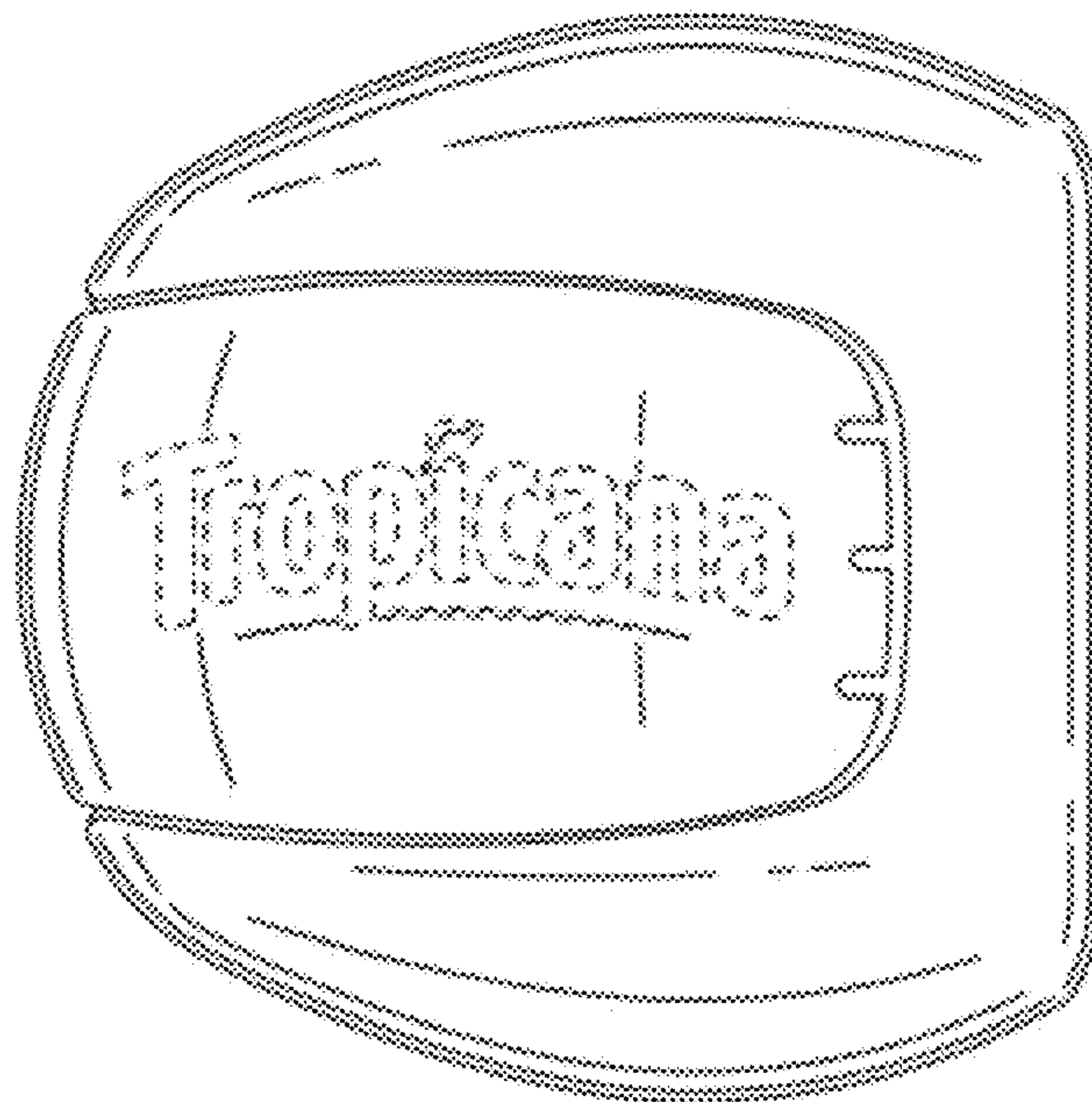


FIG. 2

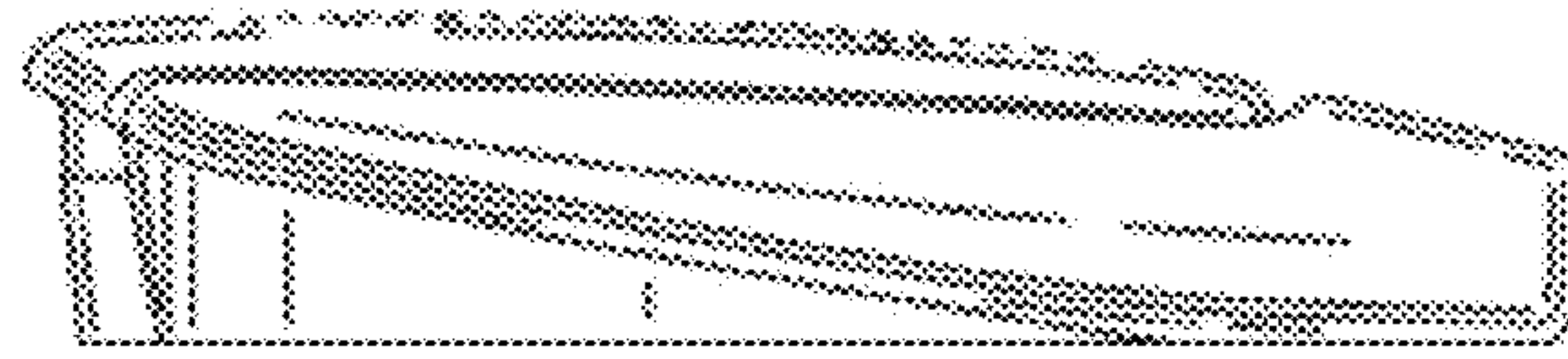


FIG. 3

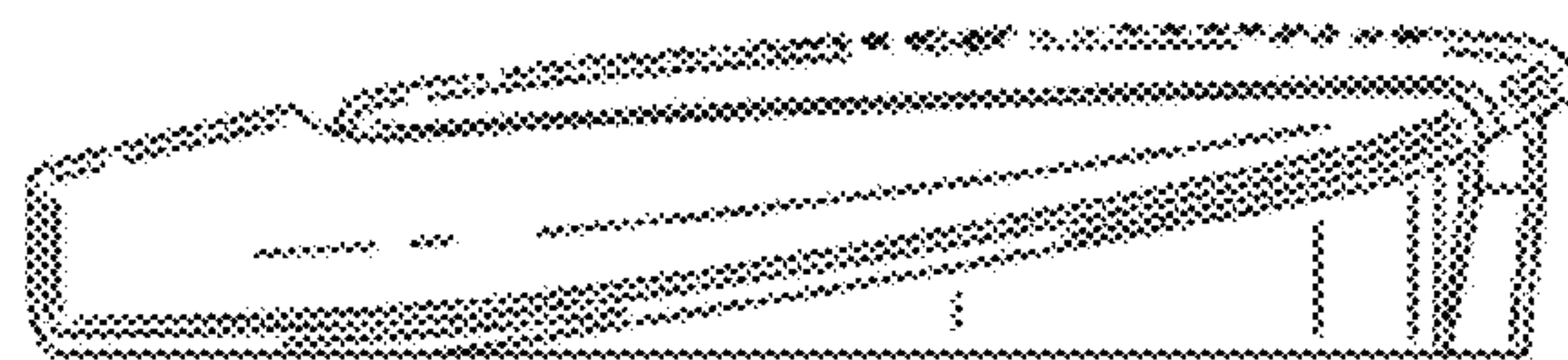


FIG. 4

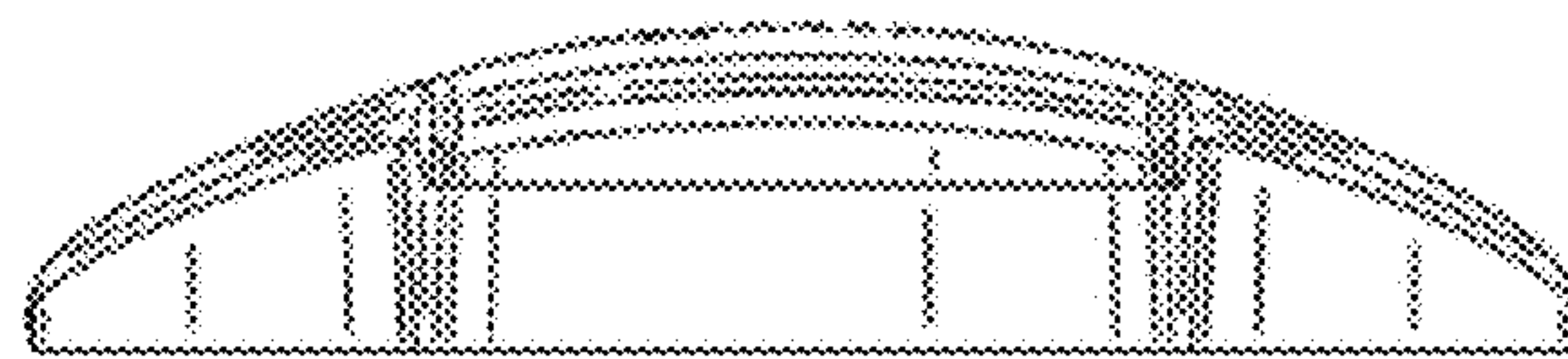


FIG. 5



FIG. 6

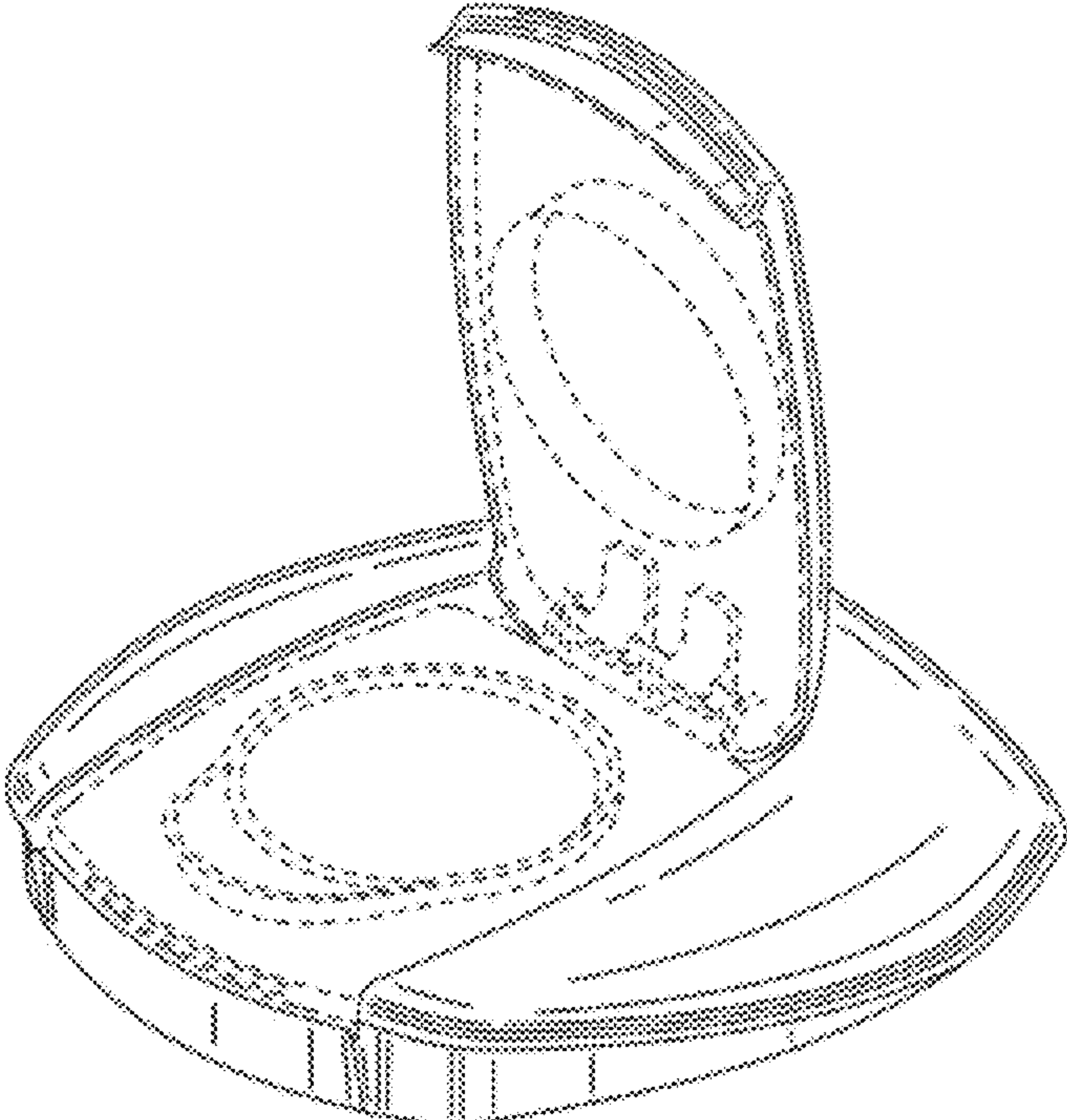


FIG. 7

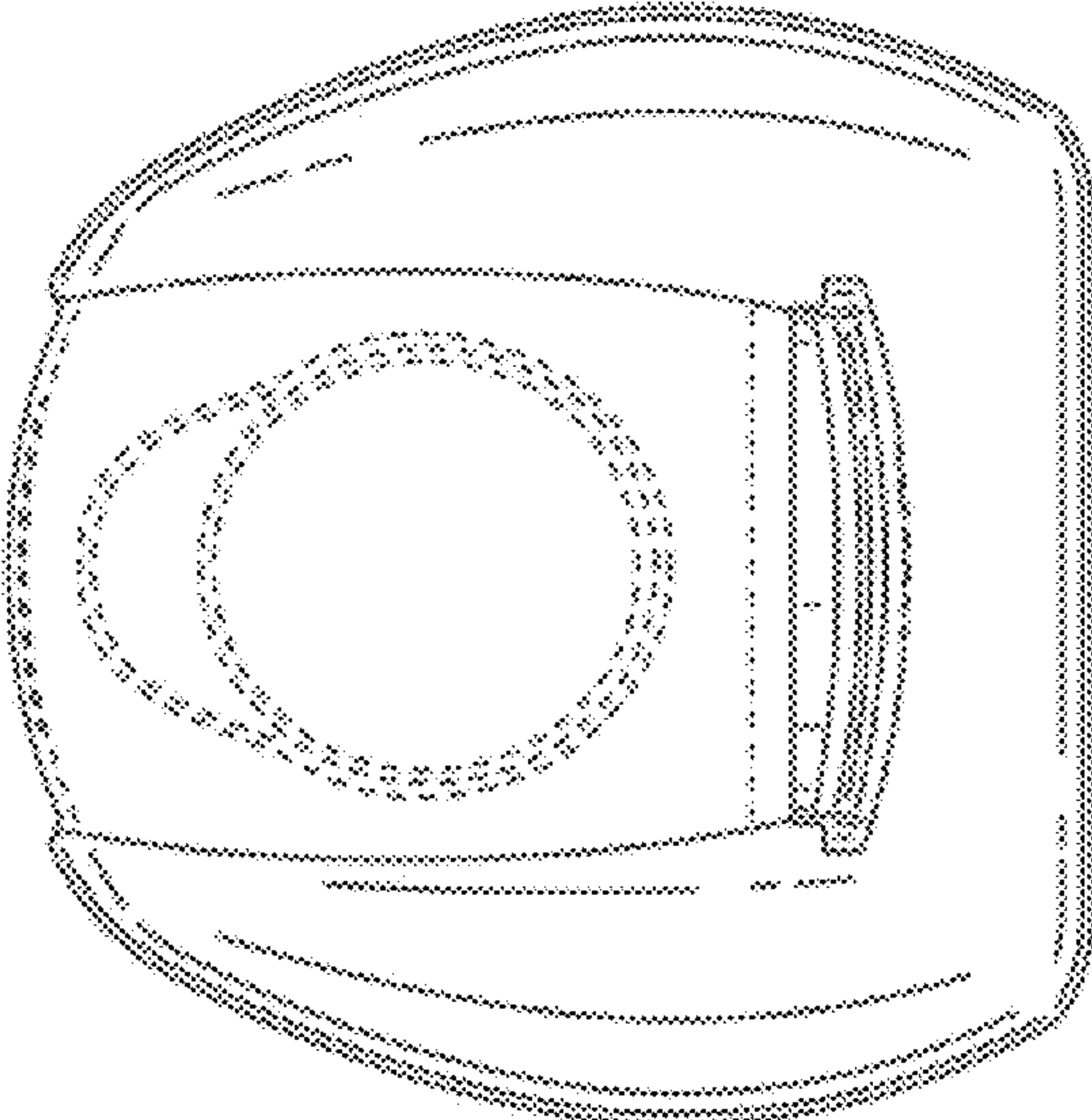


FIG. 8

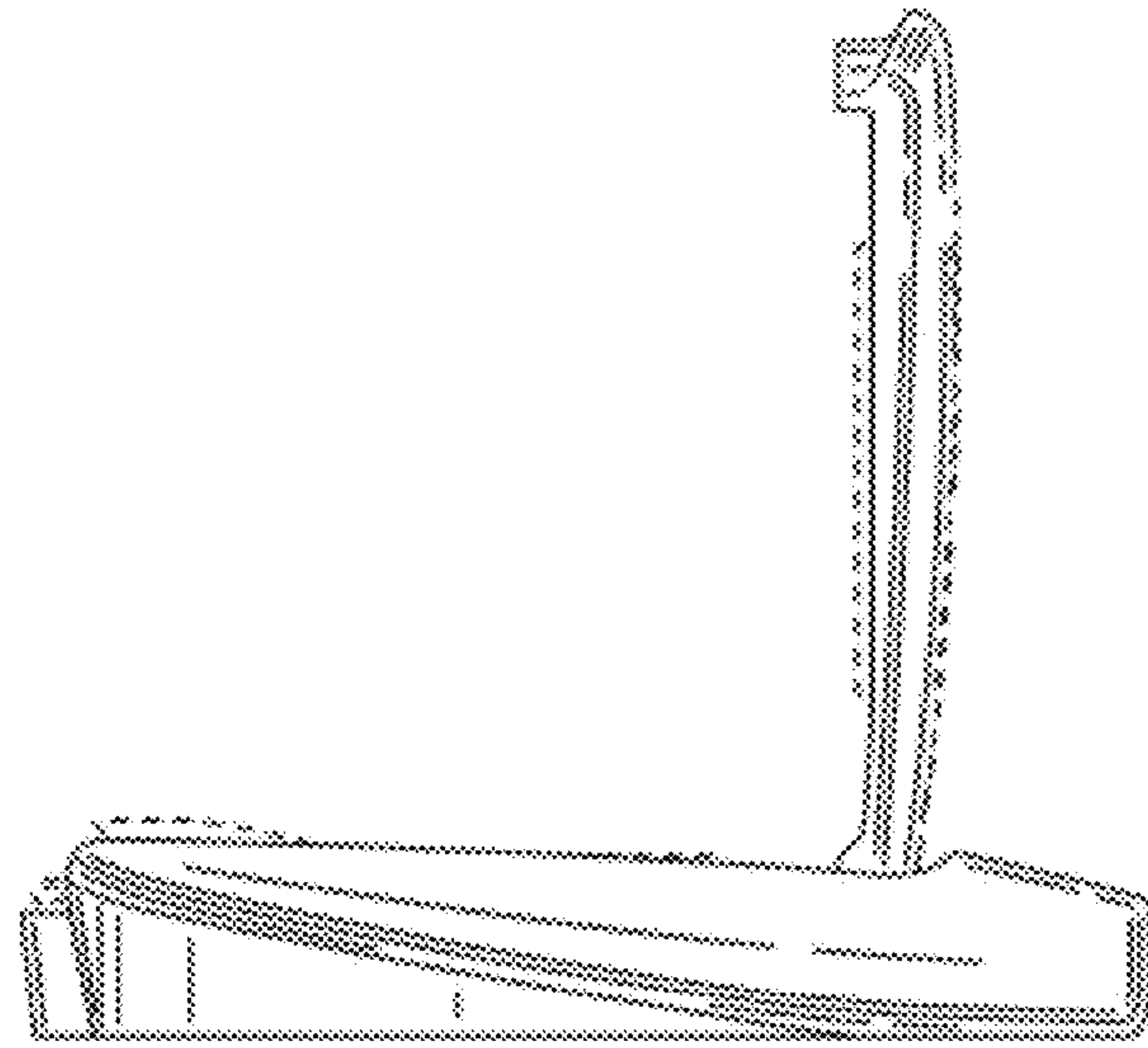


FIG. 9

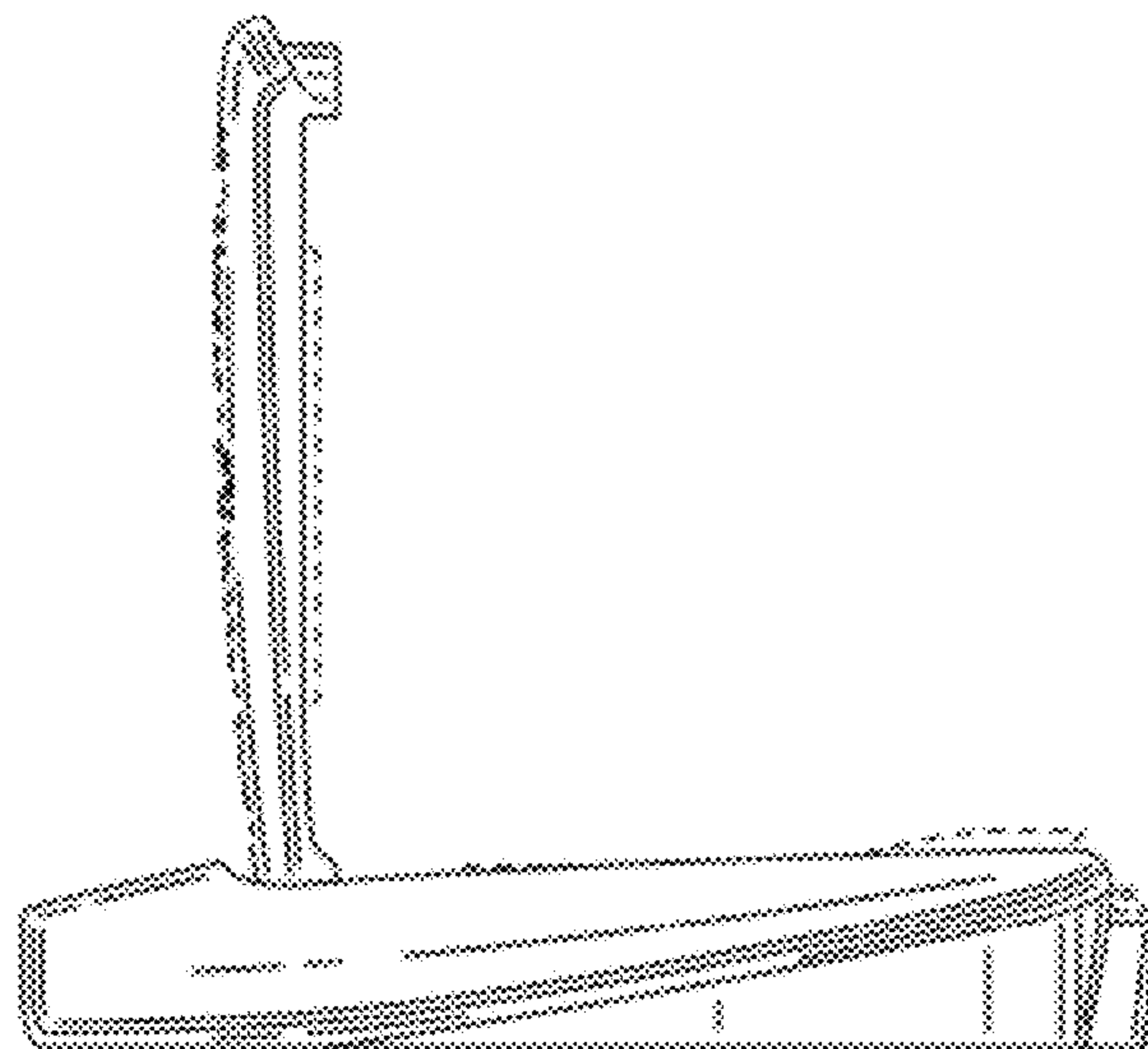


FIG. 10

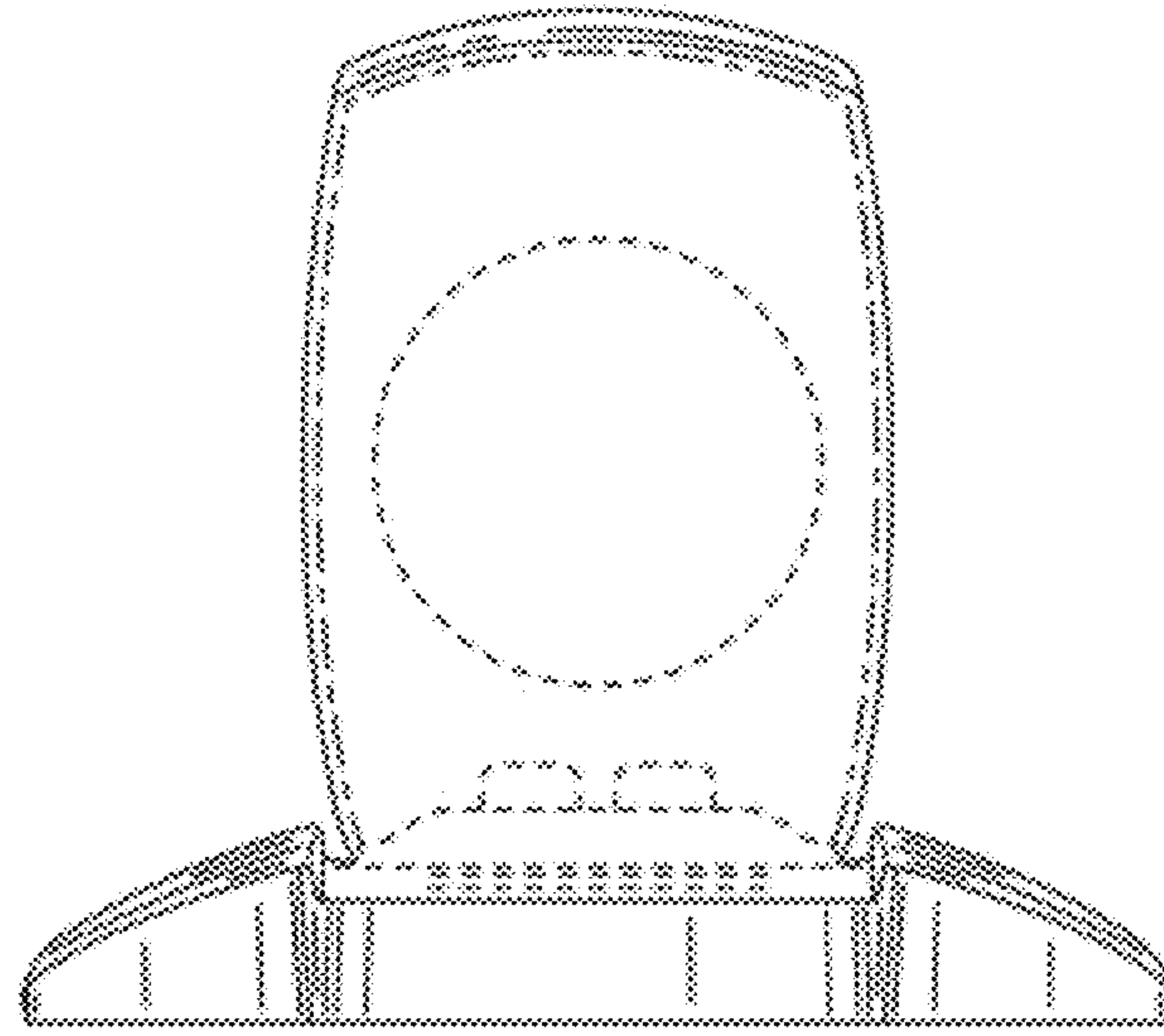


FIG. 11

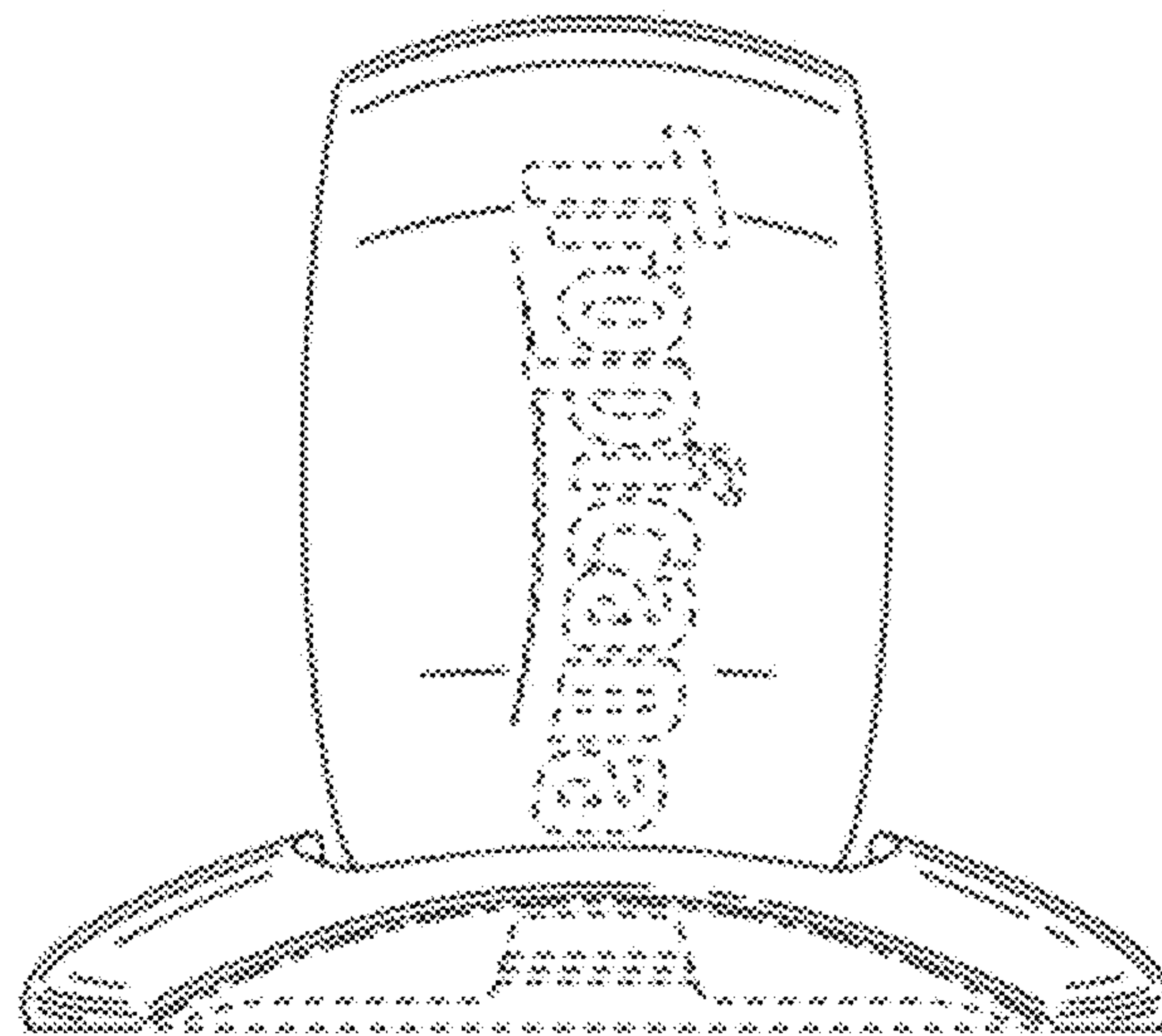


FIG. 12