



US00D678064S

(12) **United States Design Patent**
Arminak

(10) **Patent No.:** **US D678,064 S**
(45) **Date of Patent:** **** Mar. 19, 2013**

(54) **PUMP ACTUATOR**

(75) Inventor: **Armin Arminak**, Azusa, CA (US)

(73) Assignee: **Arminak & Associates, LLC**, Azusa, CA (US)

(**) Term: **14 Years**

(21) Appl. No.: **29/413,133**

(22) Filed: **Feb. 10, 2012**

(51) **LOC (9) Cl.** **09-07**

(52) **U.S. Cl.** **D9/448**

(58) **Field of Classification Search** D9/44,
D9/445, 448, 454, 682, 686; D6/542, 544;
D28/76; D23/238, 252, 255; 222/401, 402.13,
222/402.22, 566, 631

See application file for complete search history.

(56) **References Cited**

U.S. PATENT DOCUMENTS

D272,236 S	1/1984	McDonald
5,615,806 A	4/1997	Grothoff
D389,059 S	1/1998	Mascitelli
D398,529 S	9/1998	Mascitelli
D424,441 S	5/2000	Santagiuliana
D434,984 S	12/2000	Wadsworth
D436,863 S	1/2001	Wadsworth et al.
D438,468 S	3/2001	Wadsworth
D438,798 S	3/2001	Wadsworth
D471,105 S	3/2003	Gonzalez Fernandez
D507,486 S	7/2005	Wang
D527,258 S	8/2006	Crawford
D588,006 S	3/2009	Boes

D600,553 S	9/2009	Dubitsky et al.	
D600,554 S *	9/2009	Toh et al.	D9/448
D643,721 S	8/2011	Blinn	
D649,457 S *	11/2011	Rowen et al.	D9/448
D660,699 S *	5/2012	Dombrowski et al.	D9/448
D663,200 S *	7/2012	Dombrowski et al.	D9/448
2009/0108023 A1	4/2009	Houghton	

FOREIGN PATENT DOCUMENTS

GB 799309 8/1958

* cited by examiner

Primary Examiner — Susan Bennett Hattan

Assistant Examiner — Barbara B Lohr

(74) *Attorney, Agent, or Firm* — Woodard Emhardt Moriarty
McNett & Henry LLP

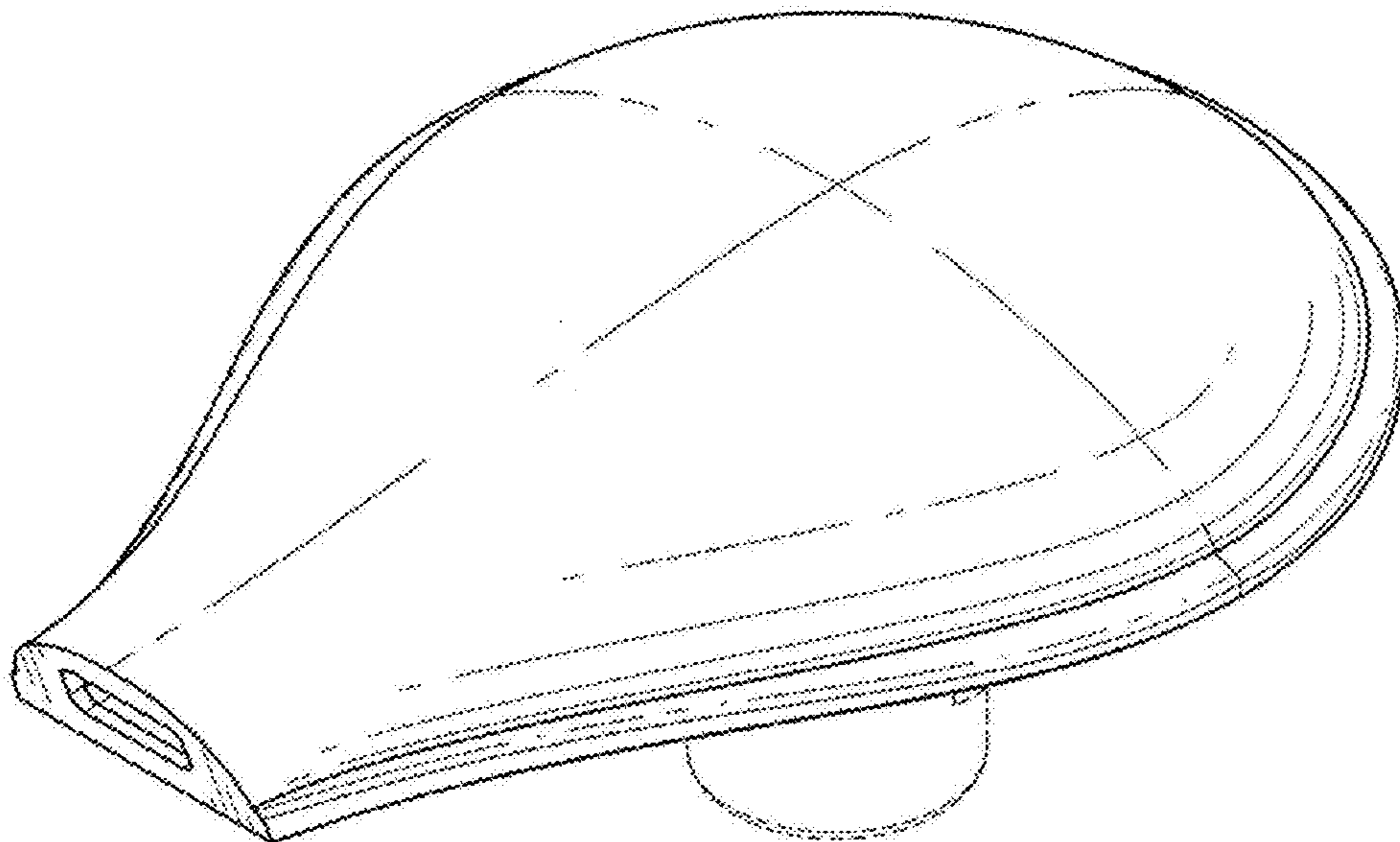
(57) **CLAIM**

The ornamental design for a pump actuator, as shown and described.

DESCRIPTION

FIG. 1 is a perspective view of the pump actuator.
FIG. 2 is a front view of the pump actuator.
FIG. 3 is a rear view of the pump actuator.
FIG. 4 is a right side view of the pump actuator.
FIG. 5 is a left side view of the pump actuator.
FIG. 6 is a top view of the pump actuator; and,
FIG. 7 is a bottom view of the pump actuator.
The portions of the pump actuator shown in broken lines form no part of the claimed design.

1 Claim, 5 Drawing Sheets



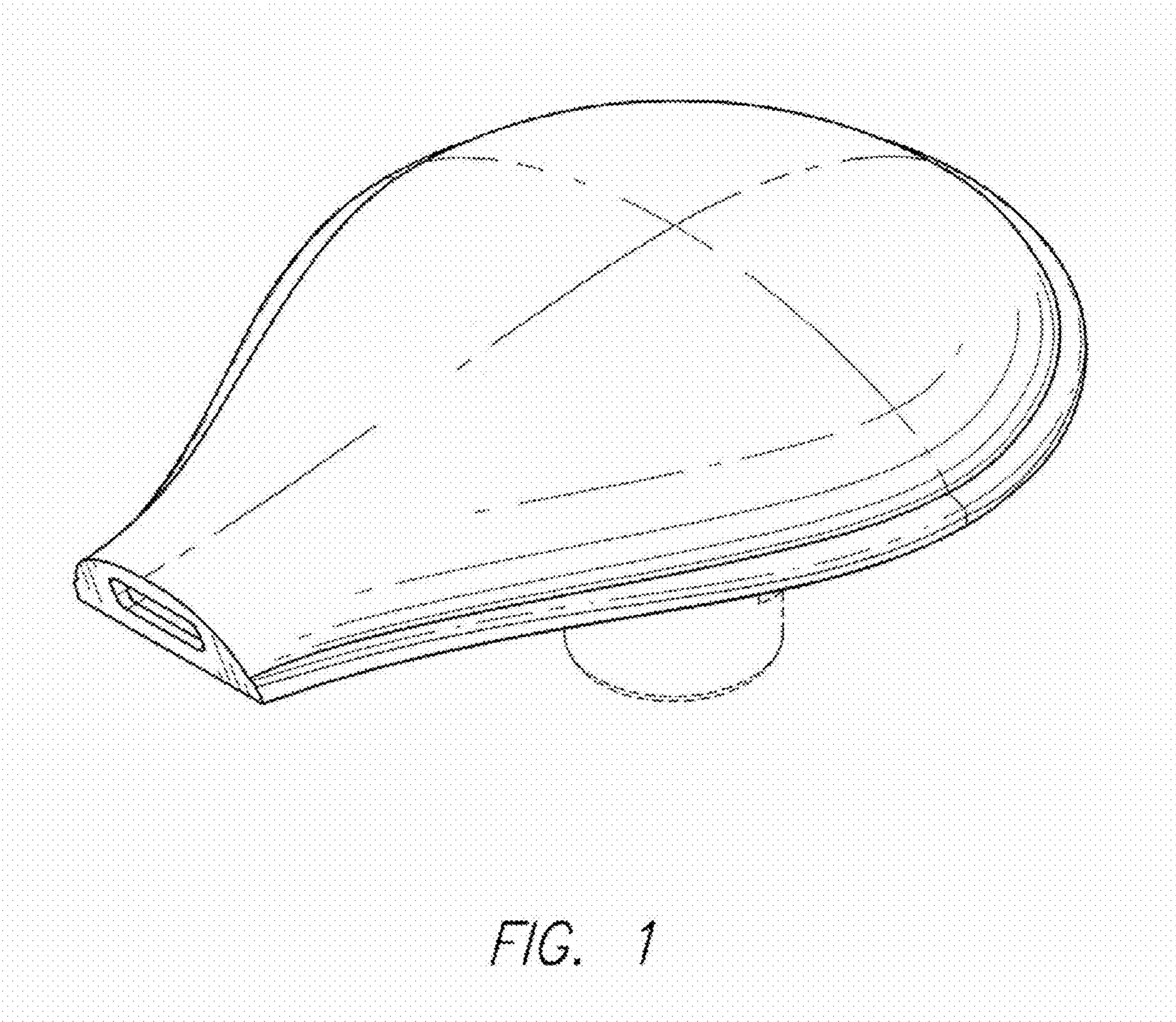


FIG. 1

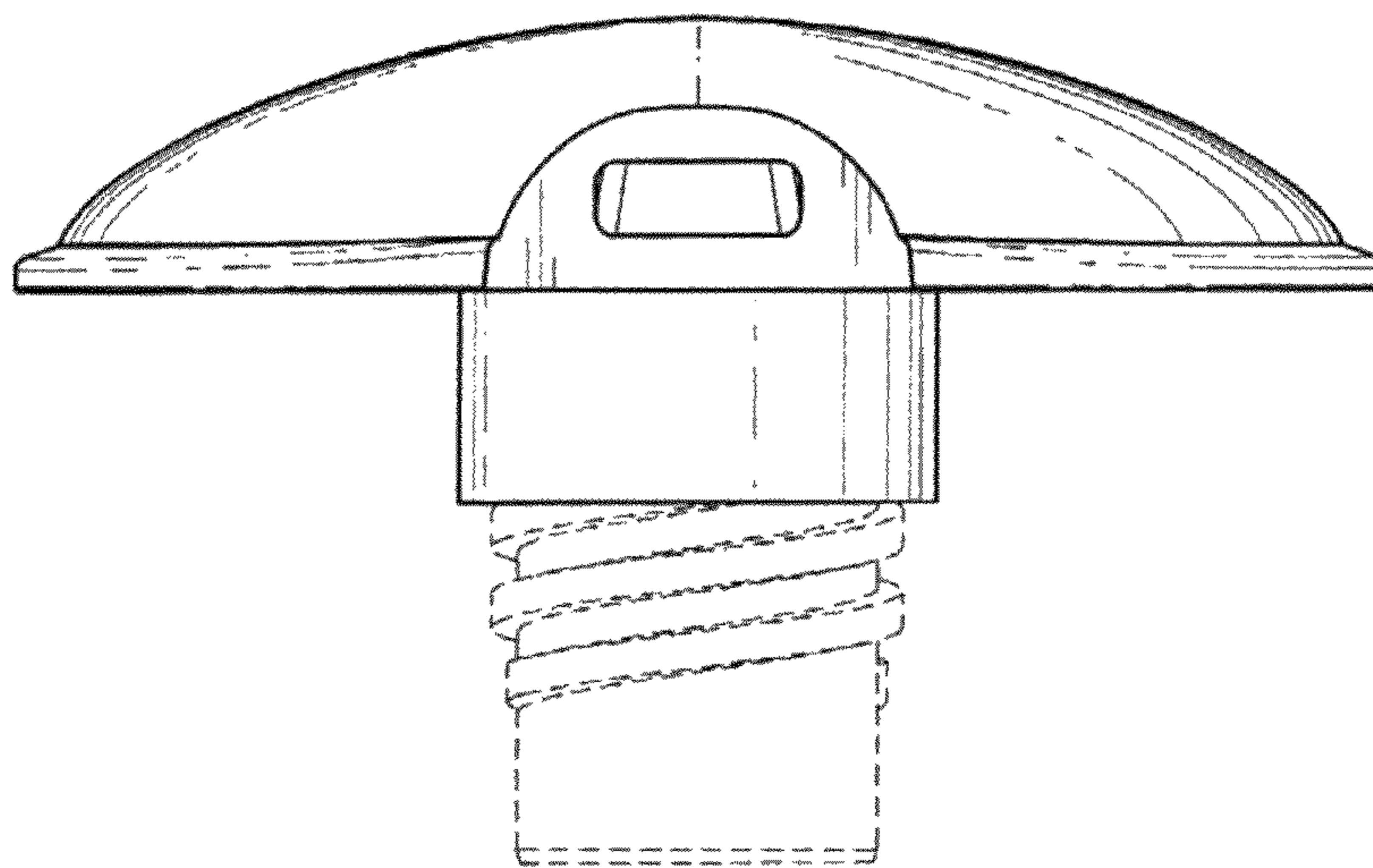


FIG. 2

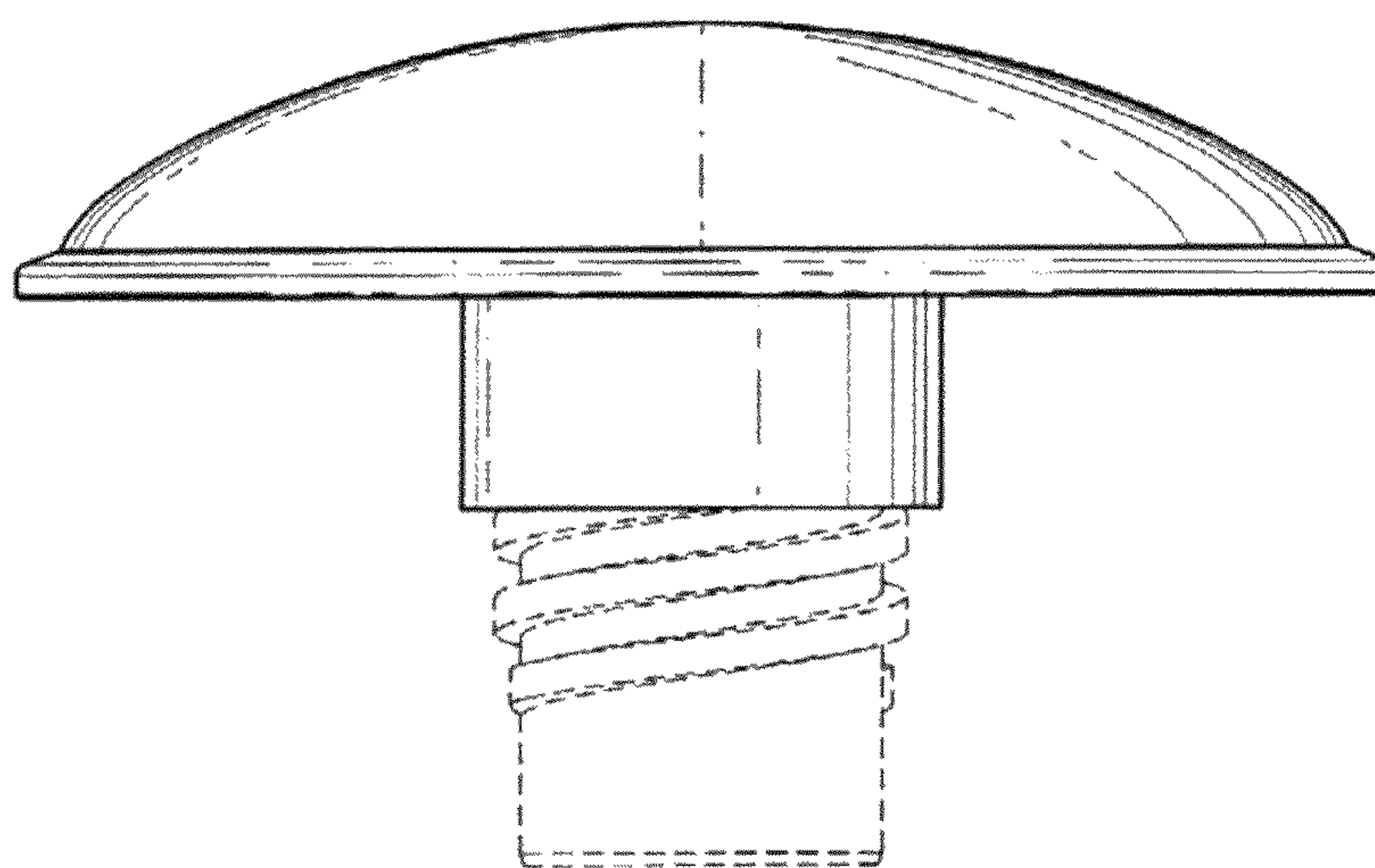


FIG. 3

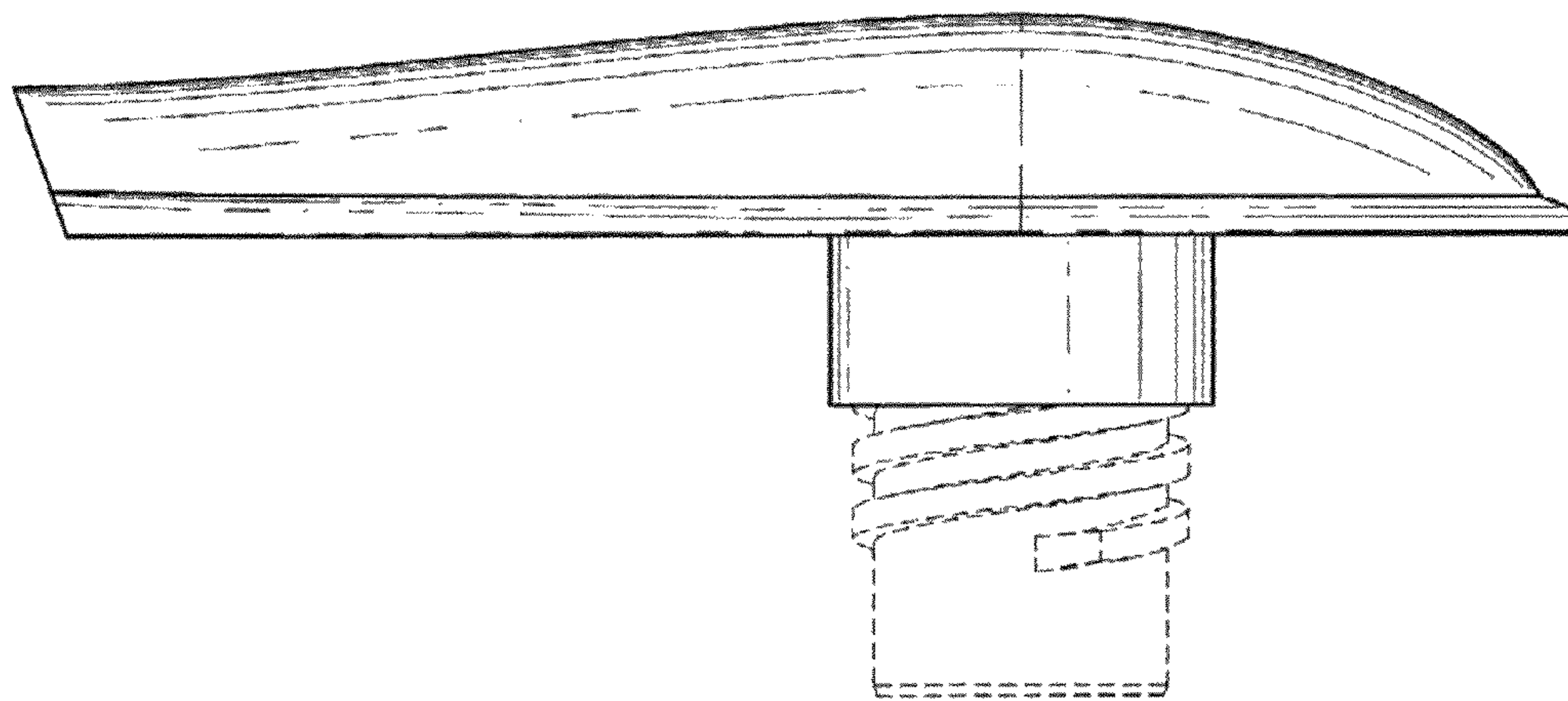


FIG. 4

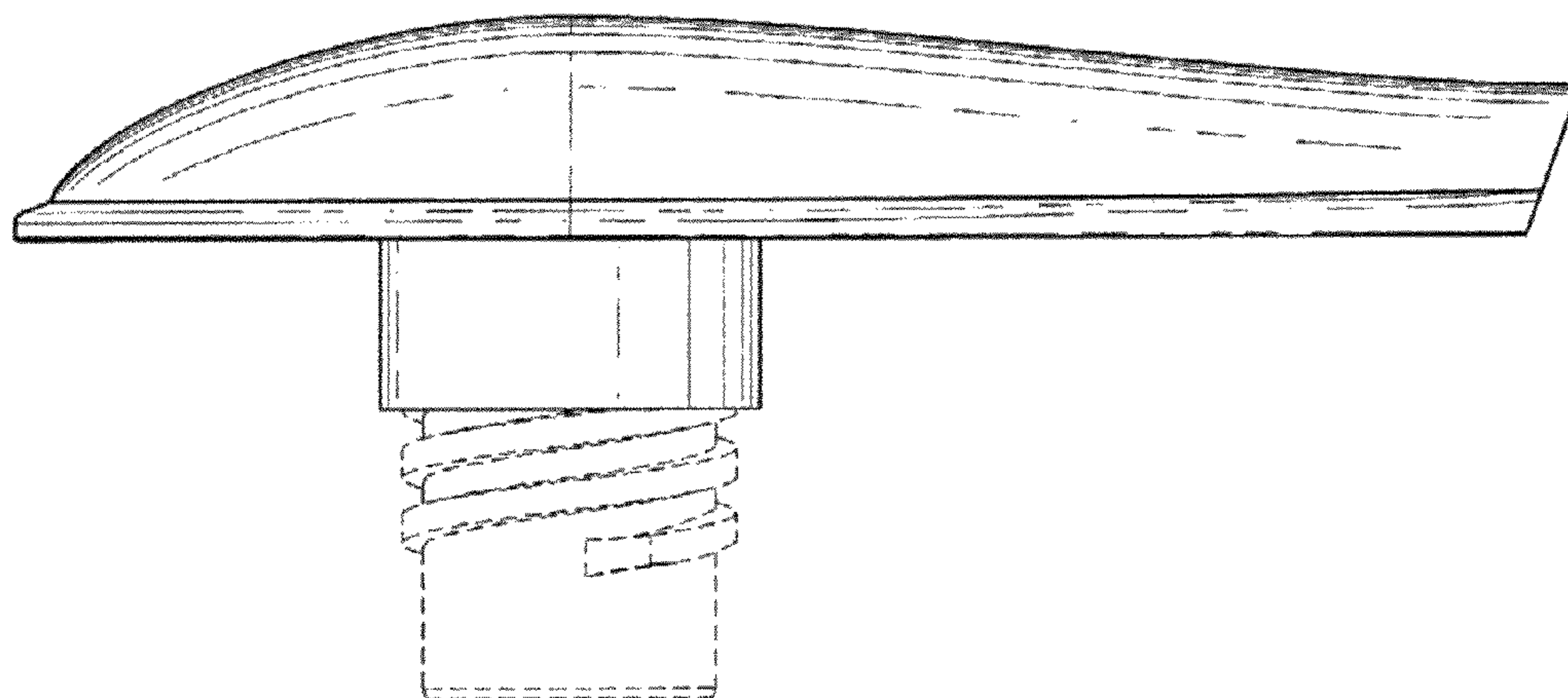


FIG. 5

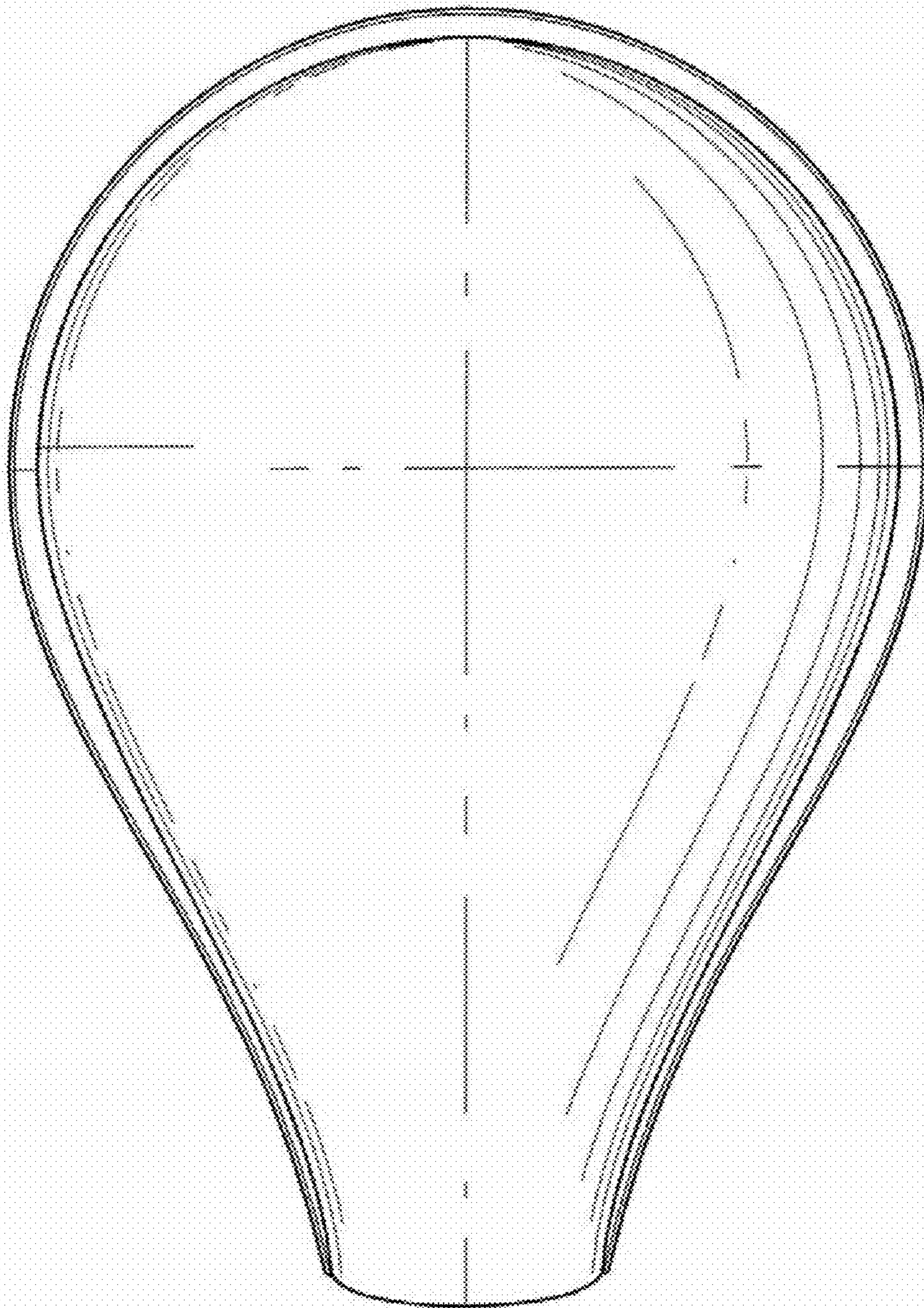


FIG. 6

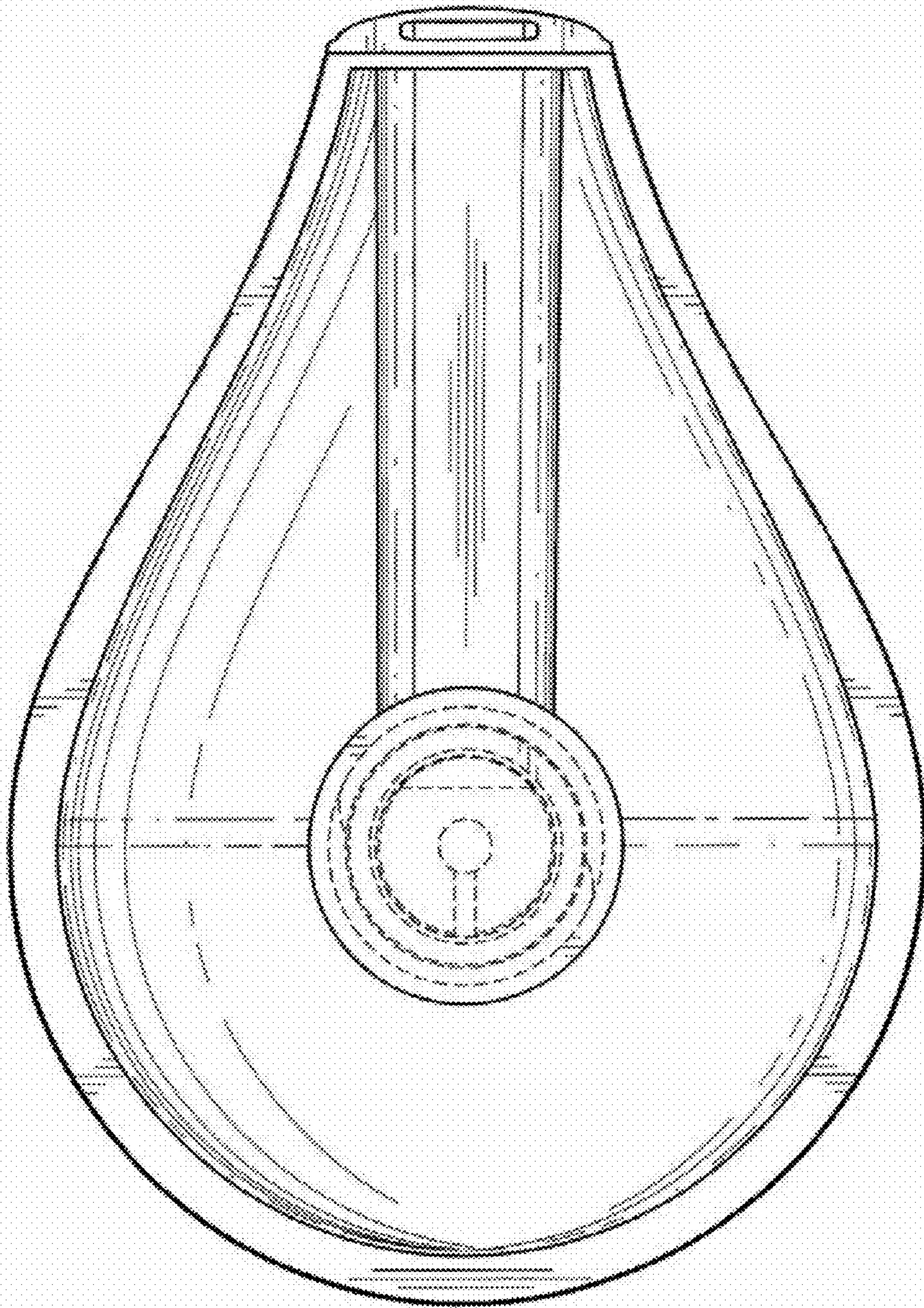


FIG. 7