



US00D678058S

(12) **United States Design Patent**
Vanden Boom et al.

(10) **Patent No.:** **US D678,058 S**
(45) **Date of Patent:** **** Mar. 19, 2013**

(54) **PACKAGE**

(71) Applicant: **Kimberly-Clark Worldwide, Inc.**,
Neenah, WI (US)

(72) Inventors: **Heidi Ellen Vanden Boom**, Appleton,
WI (US); **Dayton Joel Henderson**,
Appleton, WI (US); **Robert Eric**
MacDonald, Kohler, WI (US); **Michael**
Patrick McCuskey, Cincinnati, OH
(US); **Christine Marie Mau**, Neenah,
WI (US)

5,176,668 A 1/1993 Bernardin
5,192,606 A 3/1993 Proxmire et al.
5,350,624 A 9/1994 Georger et al.
5,509,915 A 4/1996 Hanson et al.
5,599,338 A 2/1997 Enloe
D391,481 S * 3/1998 Oxley D9/432
5,745,922 A 5/1998 Rajala et al.
6,028,018 A 2/2000 Amundson et al.
6,568,530 B2 5/2003 Takahashi et al.
6,604,609 B2 8/2003 Bruce et al.
6,626,881 B2 9/2003 Shingu et al.
6,648,864 B2 11/2003 Ronn et al.
6,685,020 B2 2/2004 Briseboi et al.
6,763,944 B2 7/2004 Ronn et al.
D496,274 S * 9/2004 Egawa D9/432

(73) Assignee: **Kimberly-Clark Worldwide, Inc.**,
Neenah, WI (US)

(**) Term: **14 Years**

(21) Appl. No.: **29/436,248**

(22) Filed: **Nov. 2, 2012**

Related U.S. Application Data

(62) Division of application No. 29/357,012, filed on Mar.
5, 2010, now Pat. No. Des. 672,646.

(51) **LOC (9) Cl.** **09-07**

(52) **U.S. Cl.** **D9/434**

(58) **Field of Classification Search** D9/430-434,
D9/414-418, 420-425, 457, 550, 554, 516;
D5/56, 57, 7; D20/22, 40, 20, 23, 27, 11,
D20/19; 206/278, 297, 299, 770, 737, 822,
206/457, 784, 551, 746; 229/100, 103.2,
229/103.3, 116.1, 87.18, 89, 206, 220

See application file for complete search history.

(56) **References Cited**

U.S. PATENT DOCUMENTS

D79,888 S * 11/1929 MacMillan D9/432
D156,338 S * 12/1949 Holcomb D21/480
3,003,388 A 10/1961 Hunter et al.
4,798,603 A 1/1989 Meyer et al.

FOREIGN PATENT DOCUMENTS

CA 2 634 134 A1 6/2002
CA 2 599 561 A1 9/2006

(Continued)

OTHER PUBLICATIONS

Co-pending U.S. Appl. No. 29/357,012, filed Mar. 5, 2010, by
Vanden Boom et al. for "Package Design."

(Continued)

Primary Examiner — Robert M Spear

Assistant Examiner — Rashida C McCoy

(74) *Attorney, Agent, or Firm* — Sarah Ann Dressel

(57) **CLAIM**

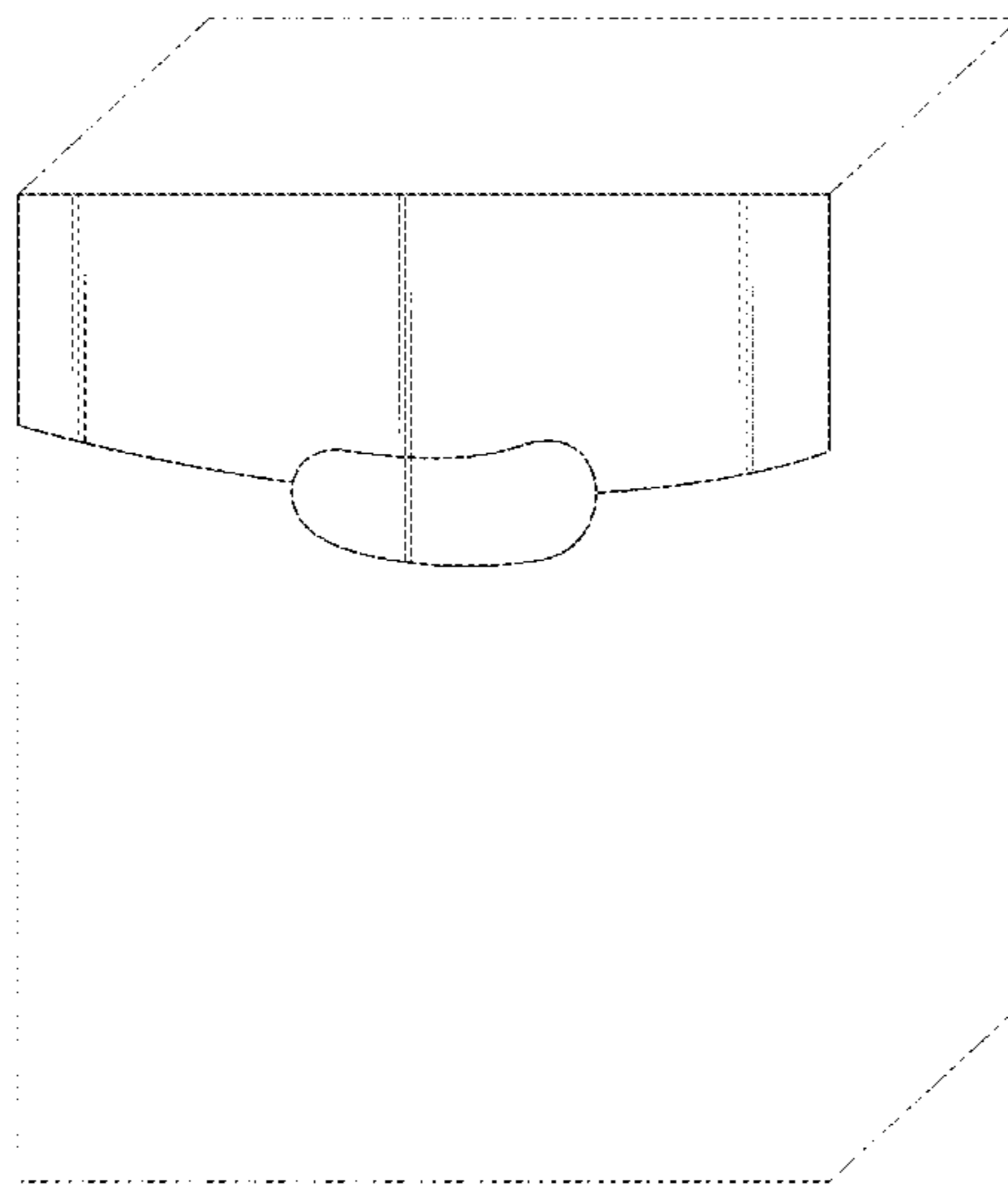
We claim the ornamental design for a package, as shown and
described.

DESCRIPTION

The FIGURE is a perspective view of a package showing the
ornamental design.

The broken lines in the drawing represent unclaimed environ-
mental subject matter.

1 Claim, 1 Drawing Sheet



U.S. PATENT DOCUMENTS

D496,275 S 9/2004 Hamuro et al.
 D526,194 S 8/2006 Hamuro et al.
 D527,253 S * 8/2006 Hamuro et al. D9/432
 D536,988 S * 2/2007 Kusumi et al. D9/624
 7,211,071 B2 5/2007 Mishima et al.
 7,222,732 B2 5/2007 Ronn et al.
 D556,572 S * 12/2007 Mongeon et al. D9/432
 D566,545 S * 4/2008 Bone et al. D9/432
 7,427,277 B2 9/2008 Woltman et al.
 D581,265 S 11/2008 Rochel
 D587,111 S 2/2009 Seol et al.
 D588,910 S * 3/2009 Kim D9/433
 D590,250 S 4/2009 Seol
 D590,251 S * 4/2009 Seol et al. D9/432
 D590,252 S * 4/2009 Seol et al. D9/432
 D590,253 S * 4/2009 Seol et al. D9/432
 D594,741 S 6/2009 Bracey
 D595,129 S * 6/2009 Russell et al. D9/432
 7,549,538 B2 6/2009 Naoe et al.
 7,572,249 B2 8/2009 Betts
 D599,201 S * 9/2009 Seol et al. D9/432
 D600,548 S * 9/2009 Seol et al. D9/432
 7,582,075 B2 9/2009 Betts et al.
 D603,701 S * 11/2009 Seol et al. D9/432
 D607,328 S * 1/2010 Himeda D9/457
 D608,636 S * 1/2010 Seol D9/432
 D610,451 S * 2/2010 Rippe D9/435
 D612,234 S 3/2010 Westemeyer
 D618,556 S * 6/2010 Partin et al. D9/643
 D621,702 S 8/2010 Tekulve et al.
 D623,057 S 9/2010 Kletz
 D625,196 S * 10/2010 Partin et al. D9/645
 D648,218 S * 11/2011 Powers et al. D9/516
 D650,273 S * 12/2011 Tekulve et al. D9/432
 2005/0059942 A1 3/2005 Krautkramer et al.
 2006/0069372 A1 3/2006 Chakravarty et al.
 2006/0193898 A1 8/2006 Norman
 2007/0012519 A1 1/2007 Angielski
 2007/0095705 A1 5/2007 Legault et al.
 2007/0095706 A1 5/2007 Legault et al.
 2007/0144937 A1 6/2007 Gilroy
 2007/0151182 A1 7/2007 Ronn et al.
 2007/0235263 A1 10/2007 Legault et al.
 2007/0251851 A1 11/2007 Warren et al.
 2008/0051750 A1 2/2008 Schagen et al.
 2008/0053857 A1 3/2008 Albano et al.
 2008/0082070 A1 4/2008 Fell et al.
 2008/0087569 A1 4/2008 Ponomarenko et al.
 2008/0110782 A1 5/2008 Burgdorf et al.
 2008/0110783 A1 5/2008 Burgdorf et al.

2008/0128307 A1 6/2008 Betts et al.
 2008/0250681 A1 10/2008 Jackson
 2008/0264824 A1 10/2008 Alejandra
 2008/0277295 A1 11/2008 Benson et al.
 2009/0054864 A1 2/2009 Lira et al.
 2009/0204090 A1 8/2009 Dennis et al.
 2009/0261009 A1 10/2009 Betts
 2009/0266733 A1 10/2009 Betts et al.
 2010/0018099 A1 1/2010 Lang et al.
 2010/0072108 A1 3/2010 Underhill et al.
 2010/0122929 A1 5/2010 McIver et al.
 2010/0193386 A1 8/2010 Loyd et al.

FOREIGN PATENT DOCUMENTS

CA 2 627 633 A1 5/2007
 CA 2 651 074 A1 11/2007
 CA 2 598 907 A1 2/2008
 CA 2 667 034 A1 4/2008
 CA 2 346 204 C 8/2008
 CA 2 429 757 C 4/2009
 CA 2 347 288 C 7/2009
 DE 10 2007 040 244 A1 2/2009
 WO WO 2009/147905 A1 12/2009

OTHER PUBLICATIONS

Co-pending U.S. Appl. No. 12/718,953, filed Mar. 6, 2010, by Coulter et al. for "Navigation System."
 Co-pending U.S. Appl. No. 29/436,257, filed Nov. 2, 2012, by Vanden Boom et al. for "Package."
 Co-pending U.S. Appl. No. 29/436,263, filed Nov. 2, 2012, by Vanden Boom et al. for "Package."
 Co-pending U.S. Appl. No. 29/436,266, filed Nov. 2, 2012, by Vanden Boom et al. for "Package."
 Co-pending U.S. Appl. No. 29/436,268, filed Nov. 2, 2012, by Vanden Boom et al. for "Package."
 Co-pending U.S. Appl. No. 29/436,273, filed Nov. 2, 2012, by Vanden Boom et al. for "Package."
 Co-pending U.S. Appl. No. 29/436,279, filed Nov. 2, 2012, by Vanden Boom et al. for "Package."
 Holben, Jay, "DV101: Eye of the Fresnel," Internet web page "http://www.dv.com/article/82460", May 5, 2009, pp. 1-3.
 Hunter, Richard S., "Photoelectric Color Difference Meter," *Journal of the Optical Society of America*, vol. 48, No. 12, American Institute of Physics Inc., Dec. 1958, pp. 985-995.
 MamyPoko products, Internet web page "http://www.mamypokoclub.com/Menu_Console/Content_Management/firmContentRender.aspx?PageID=44", 2008, pp. 1-2.

* cited by examiner

