

US00D678057S

(12) **United States Design Patent**  
**Holford**

(10) **Patent No.:** **US D678,057 S**  
(45) **Date of Patent:** **\*\* Mar. 19, 2013**

(54) **CIGARETTE PACKET**

(75) Inventor: **Steven Holford**, Southampton (GB)

(73) Assignee: **British American Tobacco (Investments) Limited**, London (GB)

(\*\*) Term: **14 Years**

(21) Appl. No.: **29/431,128**

(22) Filed: **Sep. 4, 2012**

2006/0191986 A1 8/2006 Focke et al.  
2009/0084694 A1 4/2009 Agirbas  
2010/0059395 A1 3/2010 England

**FOREIGN PATENT DOCUMENTS**

DE 1078934 B 3/1960  
DE 102008061661 A1 6/2010  
EP 0635437 A1 1/1995  
EP 1441967 B1 10/2005  
EP 2042444 A1 4/2009  
WO 2005/082725 A1 9/2005  
WO 2008/018662 A1 2/2008  
WO 2009/157344 A1 12/2009  
WO 2010/003697 A1 1/2010

**Related U.S. Application Data**

(62) Division of application No. 29/390,708, filed on Apr. 28, 2011.

**Foreign Application Priority Data**

Oct. 28, 2010 (WO) ..... DM/074692

(51) **LOC (9) Cl.** ..... **09-07**

(52) **U.S. Cl.** ..... **D9/434; D9/423**

(58) **Field of Classification Search** ..... D9/414,  
D9/416, 420, 421, 423, 426, 430, 432; 206/236-241,  
206/249-251, 254-259, 261-275; 229/160.1;  
D27/185-192

See application file for complete search history.

**OTHER PUBLICATIONS**

International Search Report and Written Opinion, mailed Nov. 24, 2011, for PCT International Application No. PCT/EP2011/067147, filed Sep. 30, 2011.

\* cited by examiner

*Primary Examiner* — Thomas Johannes

(74) *Attorney, Agent, or Firm* — Cooley LLP

(57) **CLAIM**

The ornamental design for a cigarette packet, as shown and described.

**DESCRIPTION**

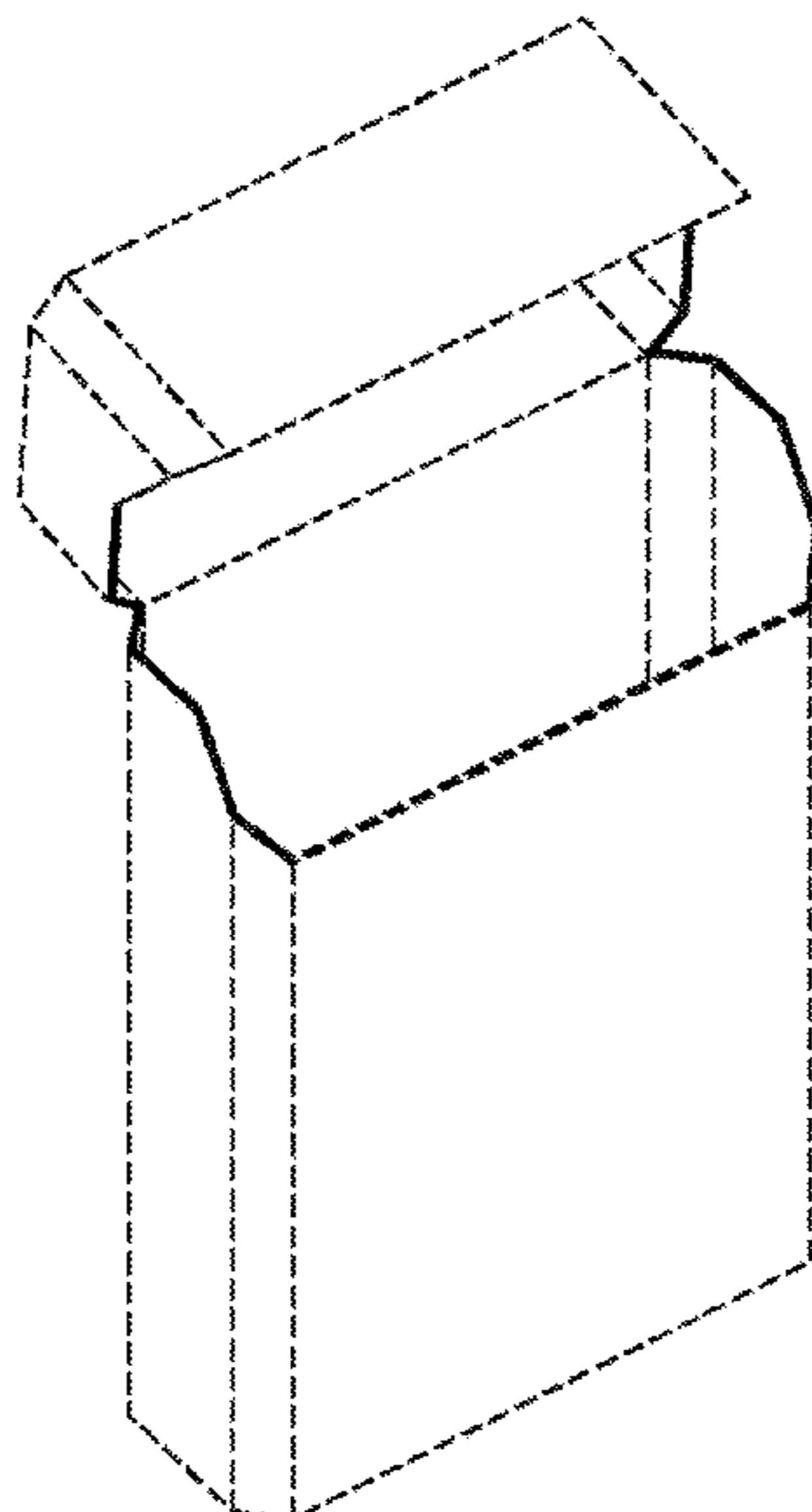
FIG. 1 is a front view showing the new design for a cigarette packet in an open position;  
FIG. 2 is a left side view thereof;  
FIG. 3 is a right side view thereof;  
FIG. 4 is a top view thereof;  
FIG. 5 is a left side perspective view thereof;  
FIG. 6 is a rear view thereof; and,  
FIG. 7 is a bottom view thereof.  
The broken lines shown in the figures depict environmental subject matter only and form no part of the claimed design.

(56) **References Cited**

**U.S. PATENT DOCUMENTS**

D441,496 S 5/2001 Focke et al.  
D448,888 S 10/2001 Focke et al.  
6,343,691 B1 2/2002 Focke et al.  
D472,013 S 3/2003 Conti et al.  
D510,777 S 10/2005 Engel  
D551,969 S 10/2007 Aurilio et al.  
D583,096 S \* 12/2008 Conti et al. .... D27/189  
D586,502 S \* 2/2009 Tearle ..... D27/189  
D592,496 S \* 5/2009 Tabrah ..... D9/423  
D613,903 S 4/2010 Wu et al.  
2005/0082178 A1 4/2005 Draghetti et al.

**1 Claim, 2 Drawing Sheets**



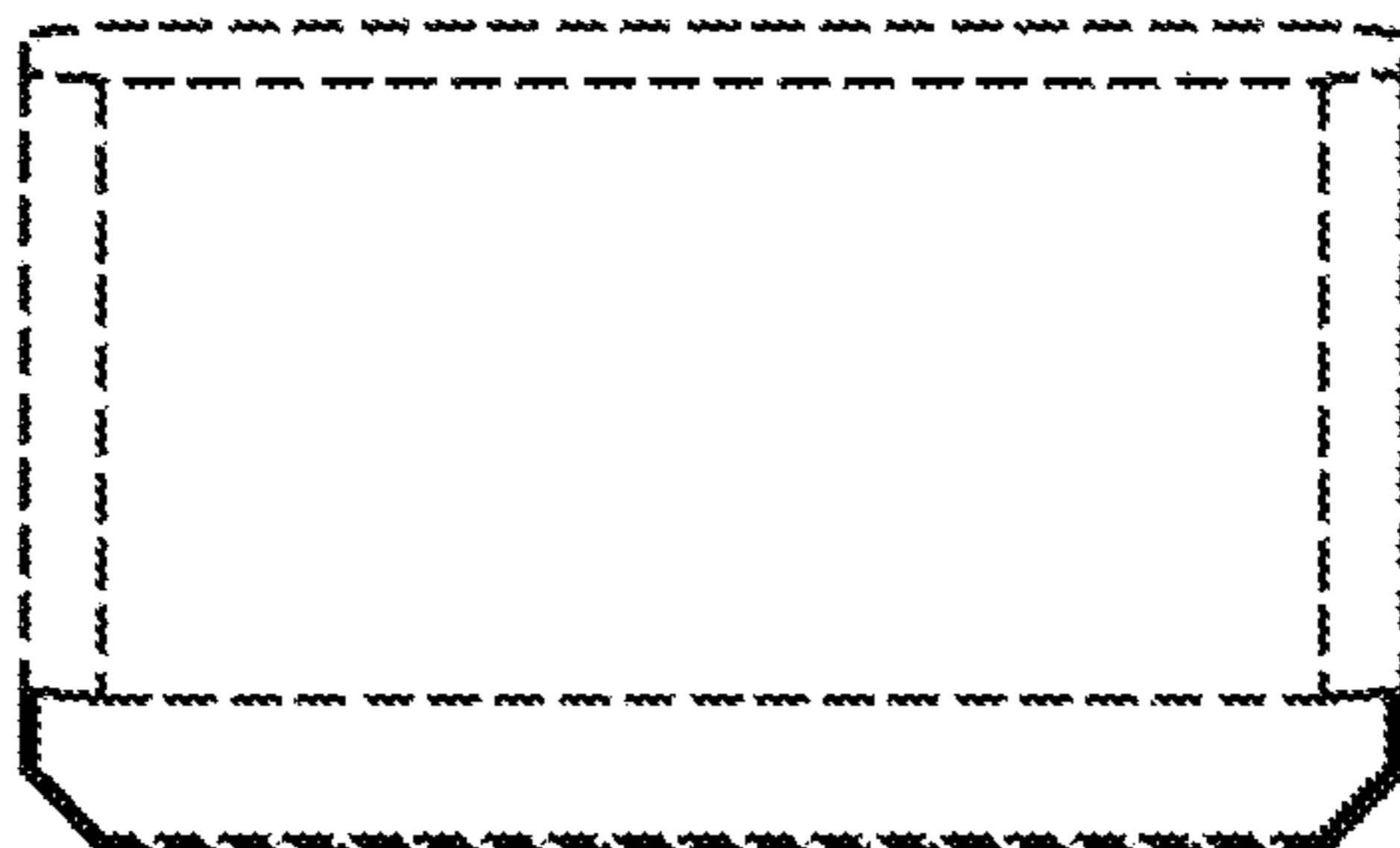


Fig. 4

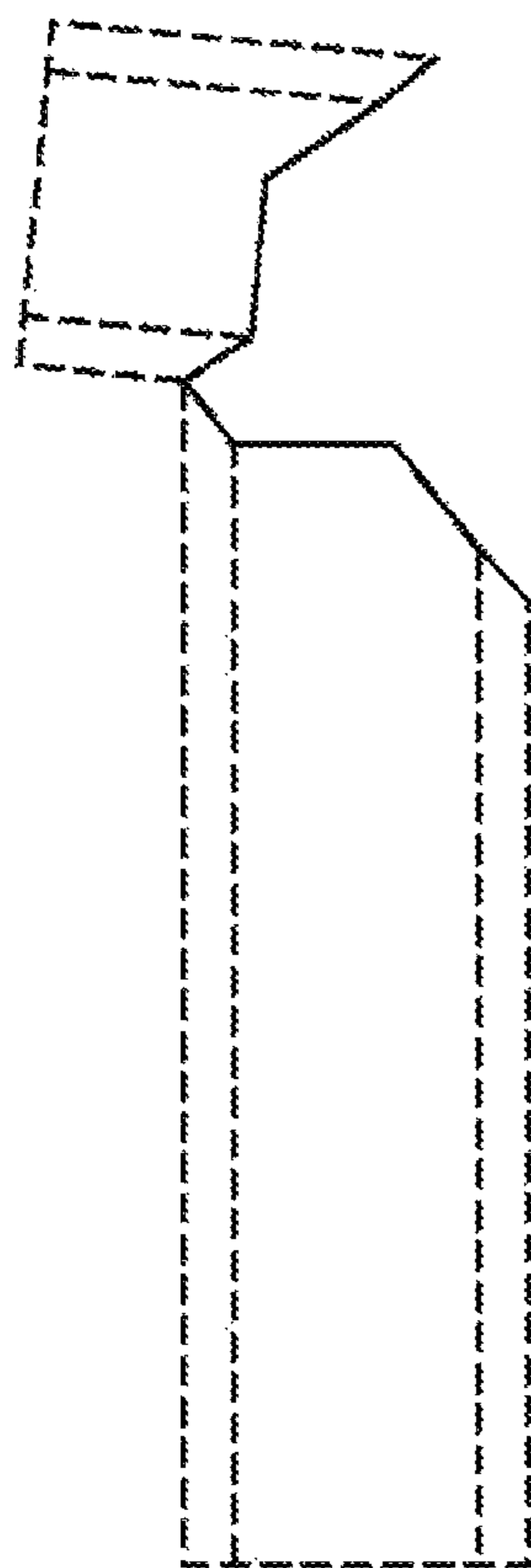


Fig. 2

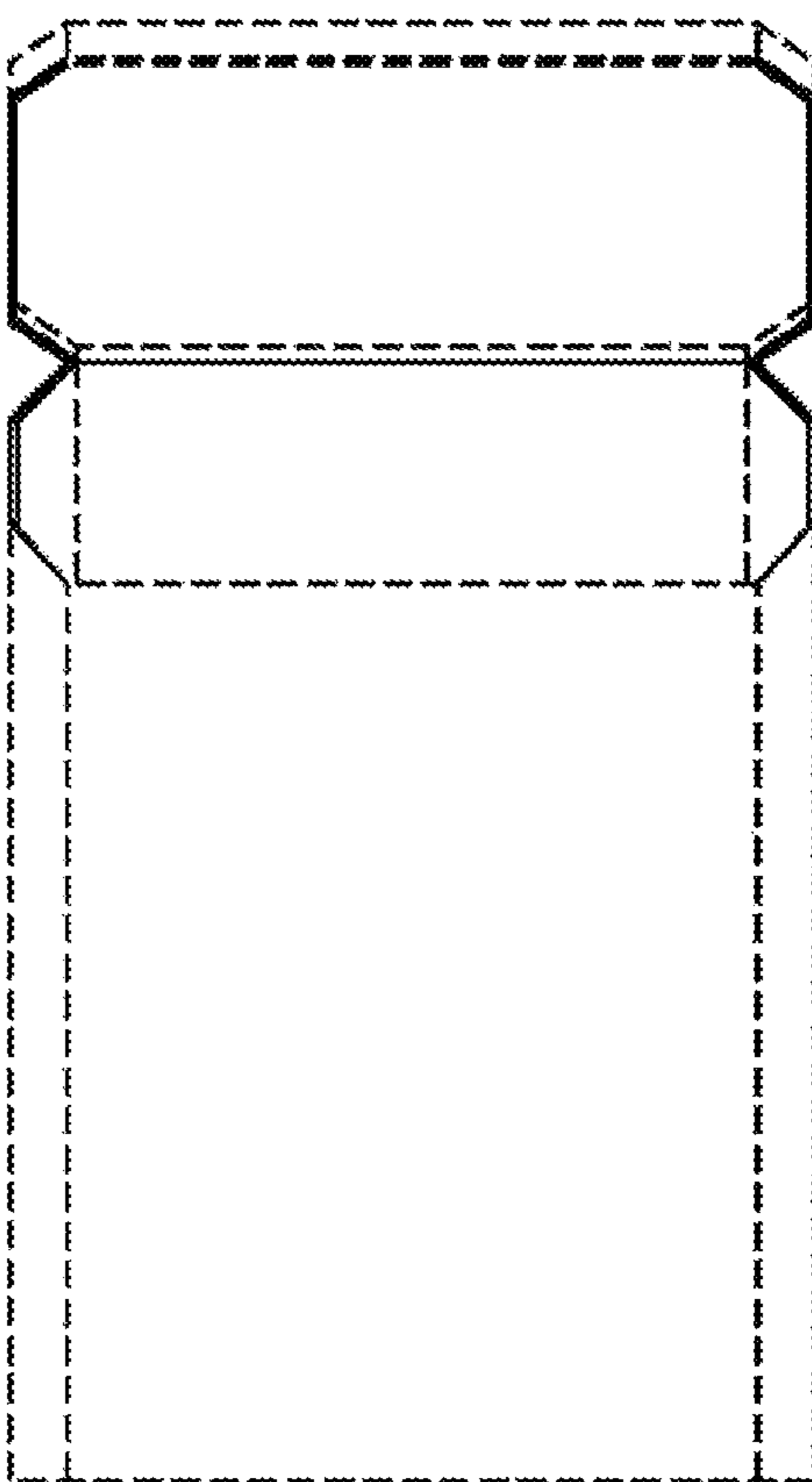


Fig. 1

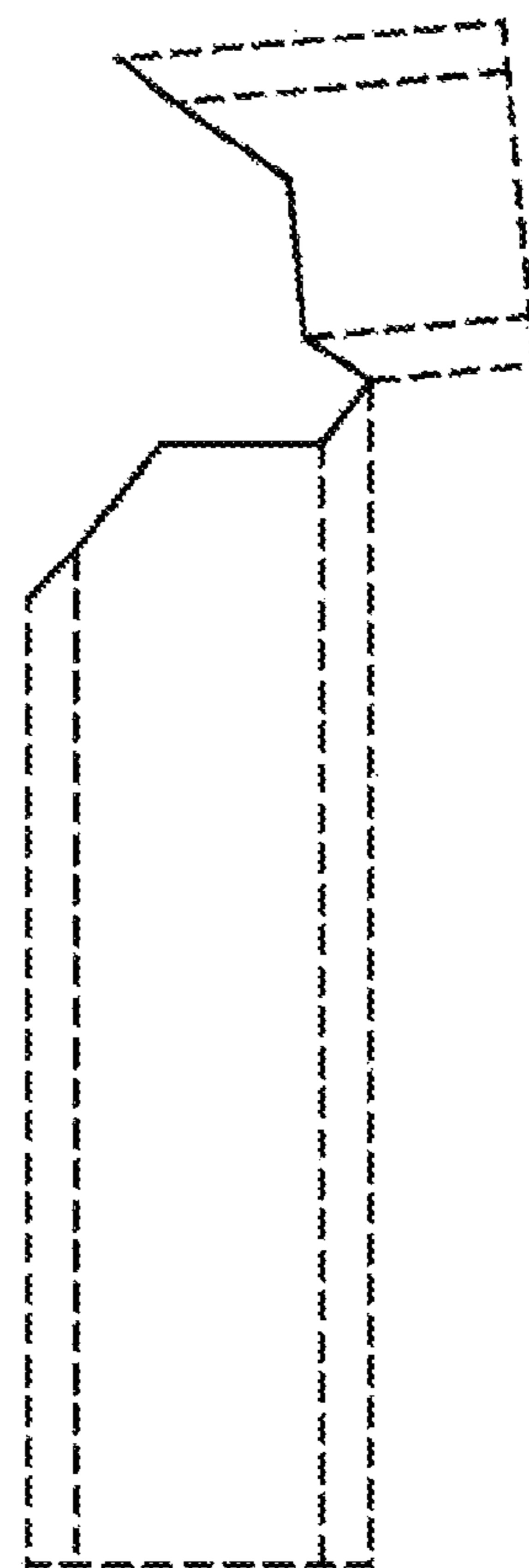


Fig. 3

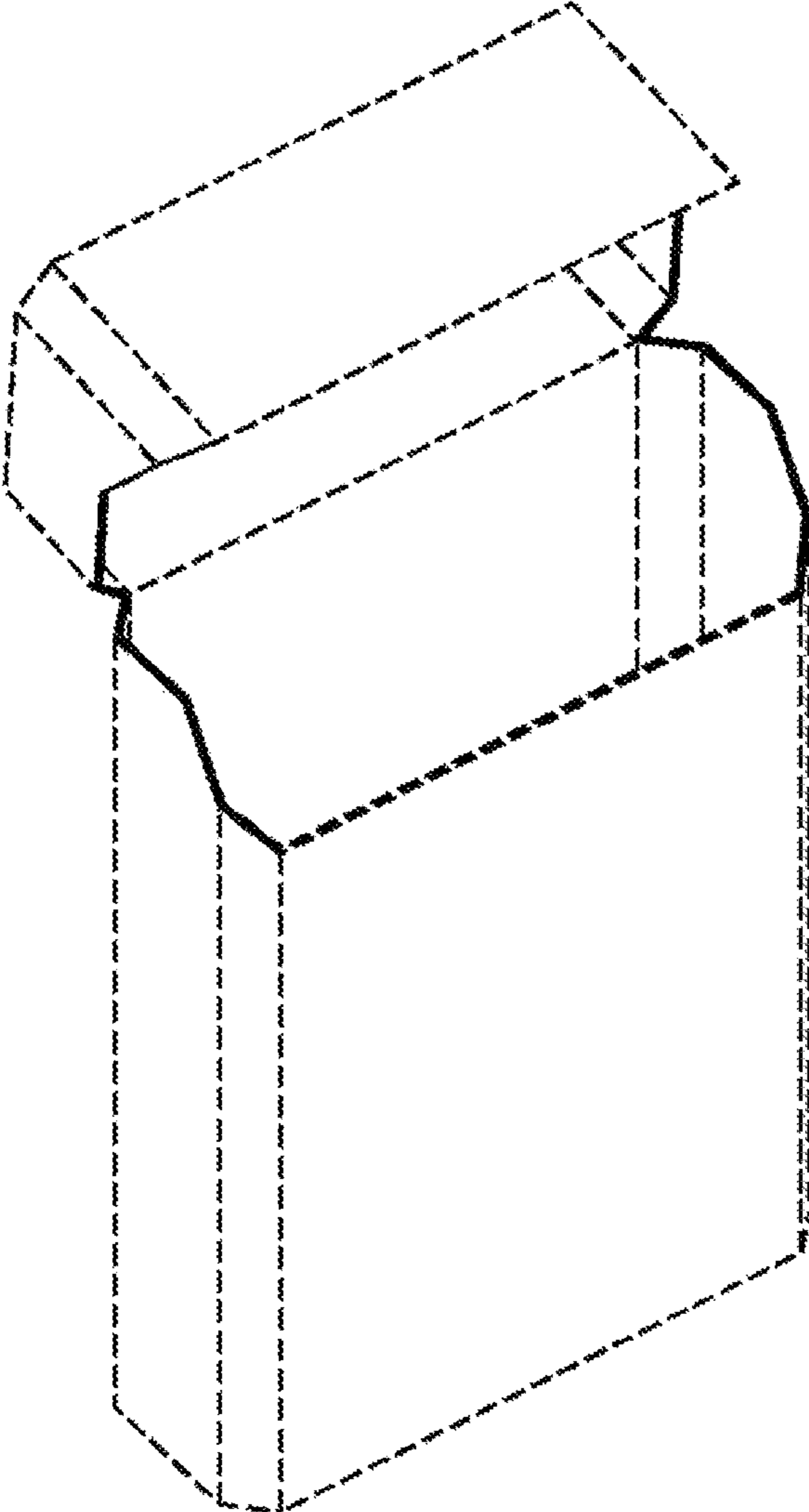


Fig. 5



Fig. 7

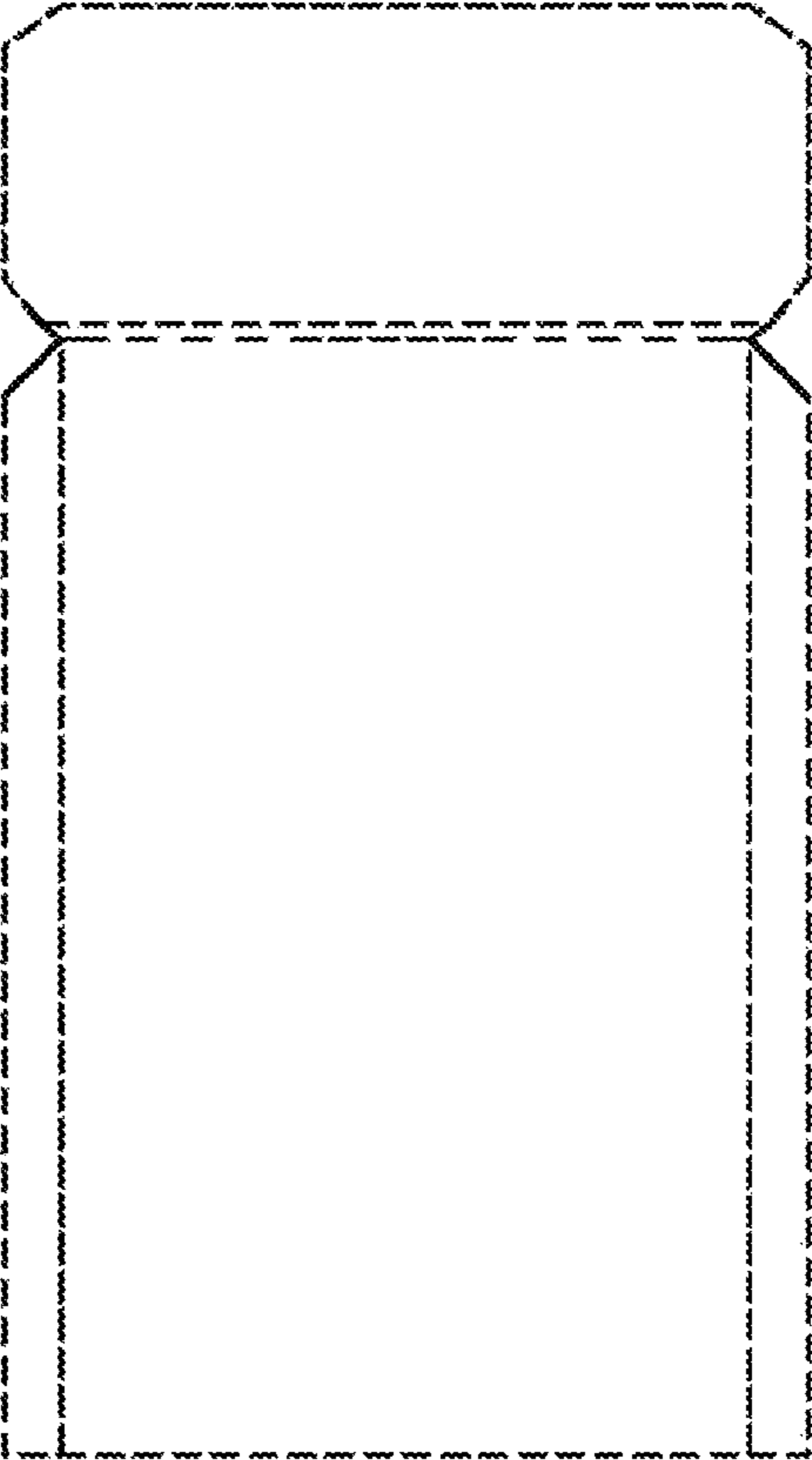


Fig. 6