



US00D678053S

(12) **United States Design Patent**
Marcinkowski

(10) **Patent No.:** **US D678,053 S**
(45) **Date of Patent:** **** Mar. 19, 2013**

(54) **RAZOR PACKAGE**

(75) Inventor: **Stanley Michael Marcinkowski**,
Peabody, MA (US)

(73) Assignee: **The Gillette Company**, Boston, MA
(US)

(**) Term: **14 Years**

(21) Appl. No.: **29/367,828**

(22) Filed: **Aug. 13, 2010**

(51) **LOC (9) Cl.** **09-07**

(52) **U.S. Cl.** **D9/434; D9/414; D9/415**

(58) **Field of Classification Search** D9/414–435,
D9/600–681, 715–722, 737, 748–762, 529,
D9/551–553, 556, 563, 564, 566, 569, 571,
D9/455–499, 723–729, 763–783; D28/44–54,
D28/73, 76–78; 206/461–471, 235, 581,
206/349–383, 385, 769–771, 775–783, 806,
206/822, 823; D3/201–206, 212, 247, 263–265,
D3/273, 276, 294, 302, 318, 321, 322, 901,
D3/903, 905; 220/669–675
See application file for complete search history.

(56) **References Cited**

U.S. PATENT DOCUMENTS

D25,575 S *	6/1896	Fletcher	D9/430
D102,422 S *	12/1936	Fuerst	D9/566
D224,642 S *	8/1972	Mascia	D9/773
D315,101 S *	3/1991	Goldstein et al.	D9/435
5,704,503 A *	1/1998	Krishnakumar et al.	215/381
D409,922 S *	5/1999	Jones et al.	D9/571
D466,408 S *	12/2002	Baerenwald et al.	D9/432

D499,207 S *	11/2004	Angeletta	D28/7
D499,208 S *	11/2004	Angeletta	D28/7
6,838,138 B1 *	1/2005	Akiyama et al.	428/35.7
D502,394 S *	3/2005	Jackson et al.	D9/425
D509,727 S *	9/2005	Suckle et al.	D9/415
D531,798 S *	11/2006	Ringo	D3/273
D568,739 S *	5/2008	Darr	D9/434
D611,351 S *	3/2010	Mansau	D9/529
D624,815 S *	10/2010	Hansen et al.	D9/420
7,931,148 B2 *	4/2011	Hansen et al.	206/470

* cited by examiner

Primary Examiner — Catherine Tuttle

(74) *Attorney, Agent, or Firm* — Joanne N. Pappas; Kevin C. Johnson; Steven W. Miller

(57) **CLAIM**

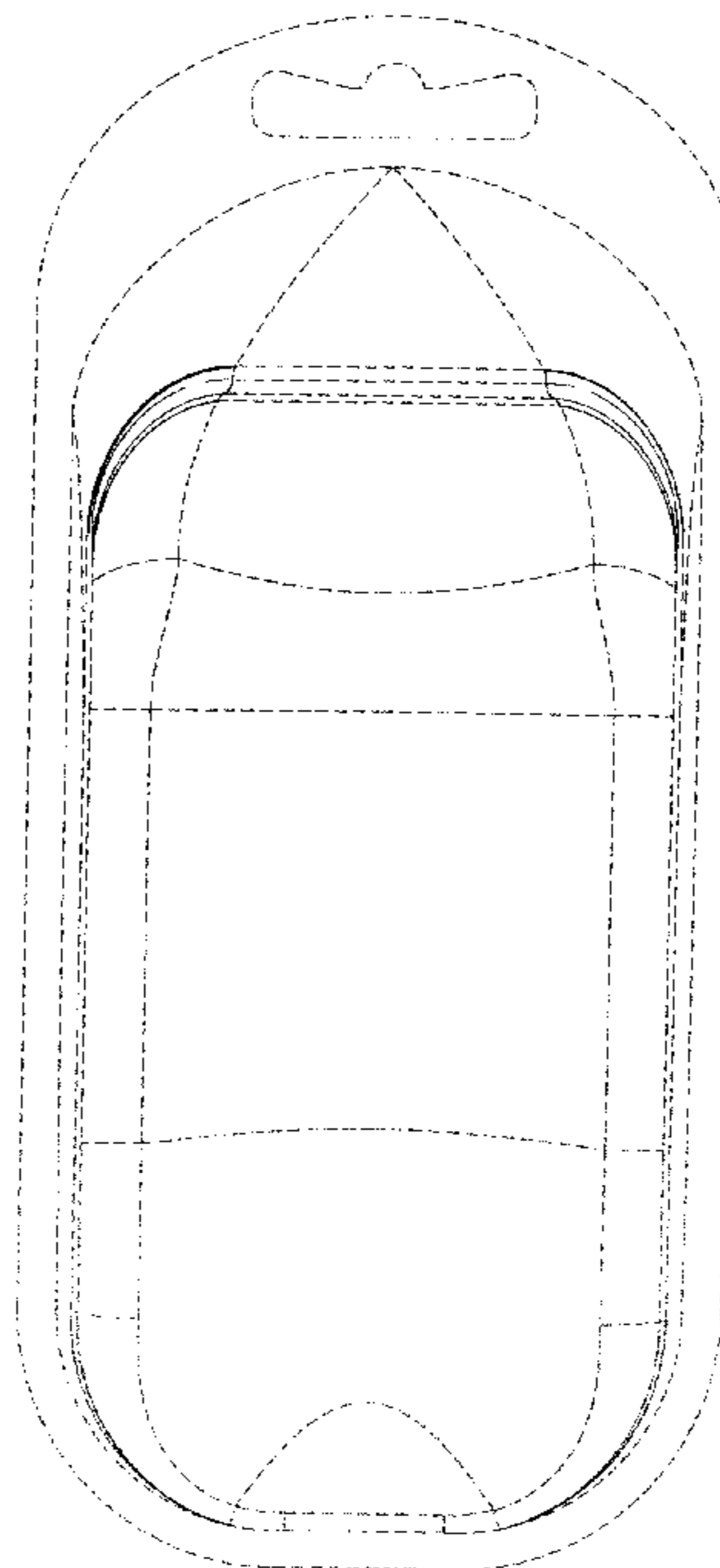
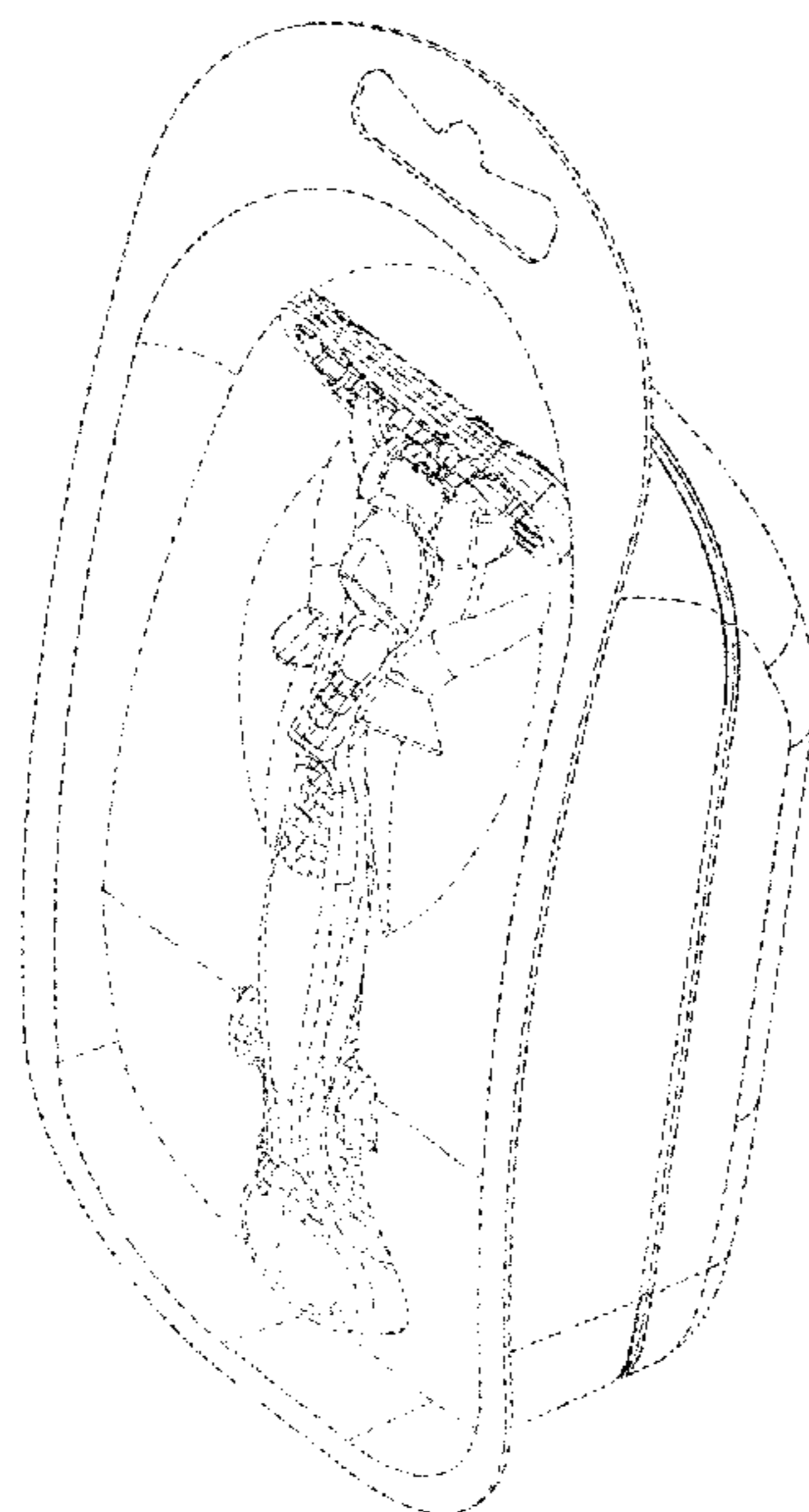
The ornamental design for a razor package, as shown and described.

DESCRIPTION

FIG. 1 is a perspective view of a razor package showing our new design;
FIG. 2 is a front view thereof;
FIG. 3 is a back view thereof;
FIG. 4 is a right side view thereof;
FIG. 5 is a left side view thereof;
FIG. 6 is a top view thereof; and,
FIG. 7 is a bottom view thereof.

The dashed broken lines are included for the purpose of illustrating portions of the razor package that form no part of the claimed design.

1 Claim, 6 Drawing Sheets



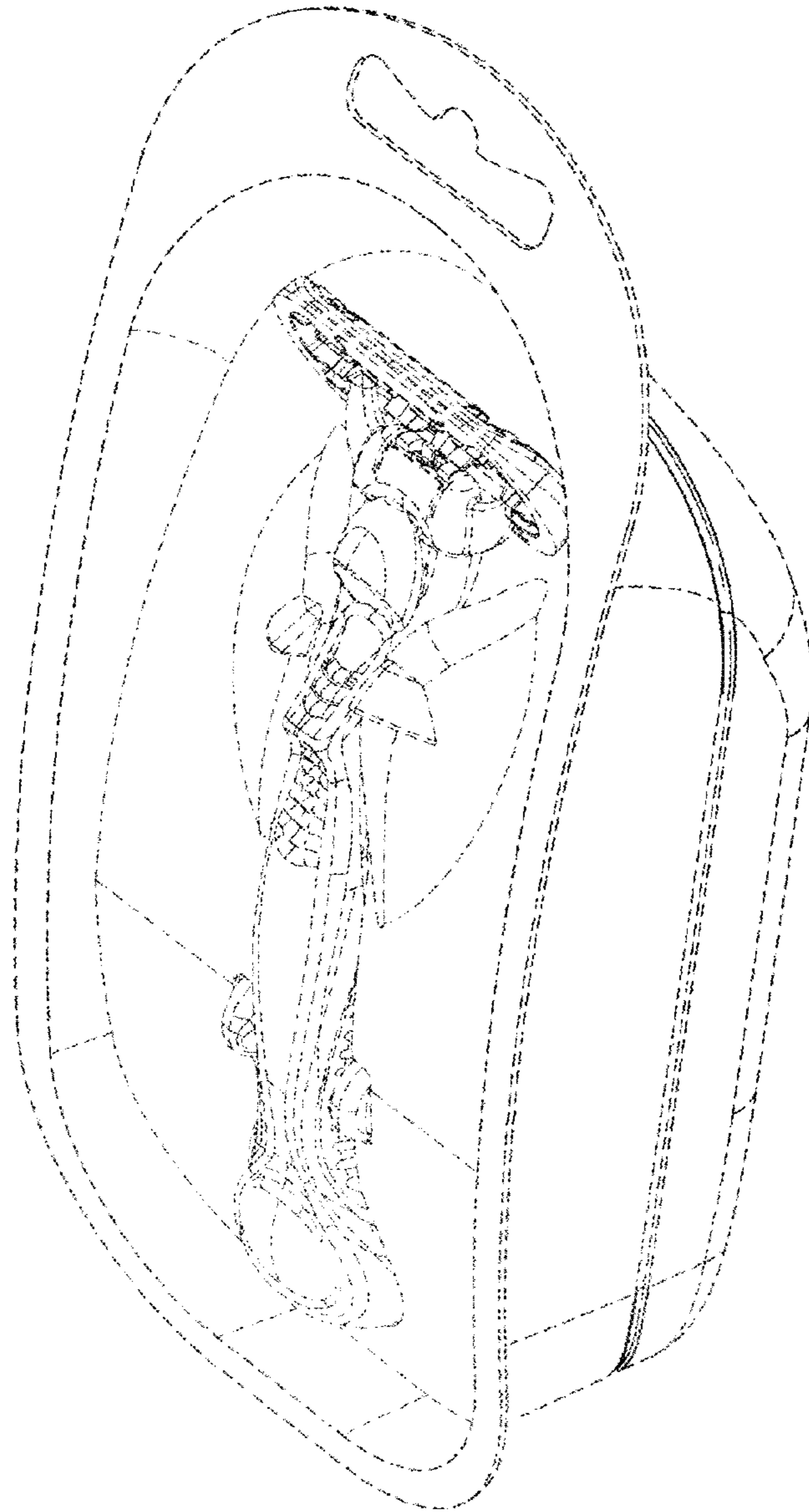


FIG. 1

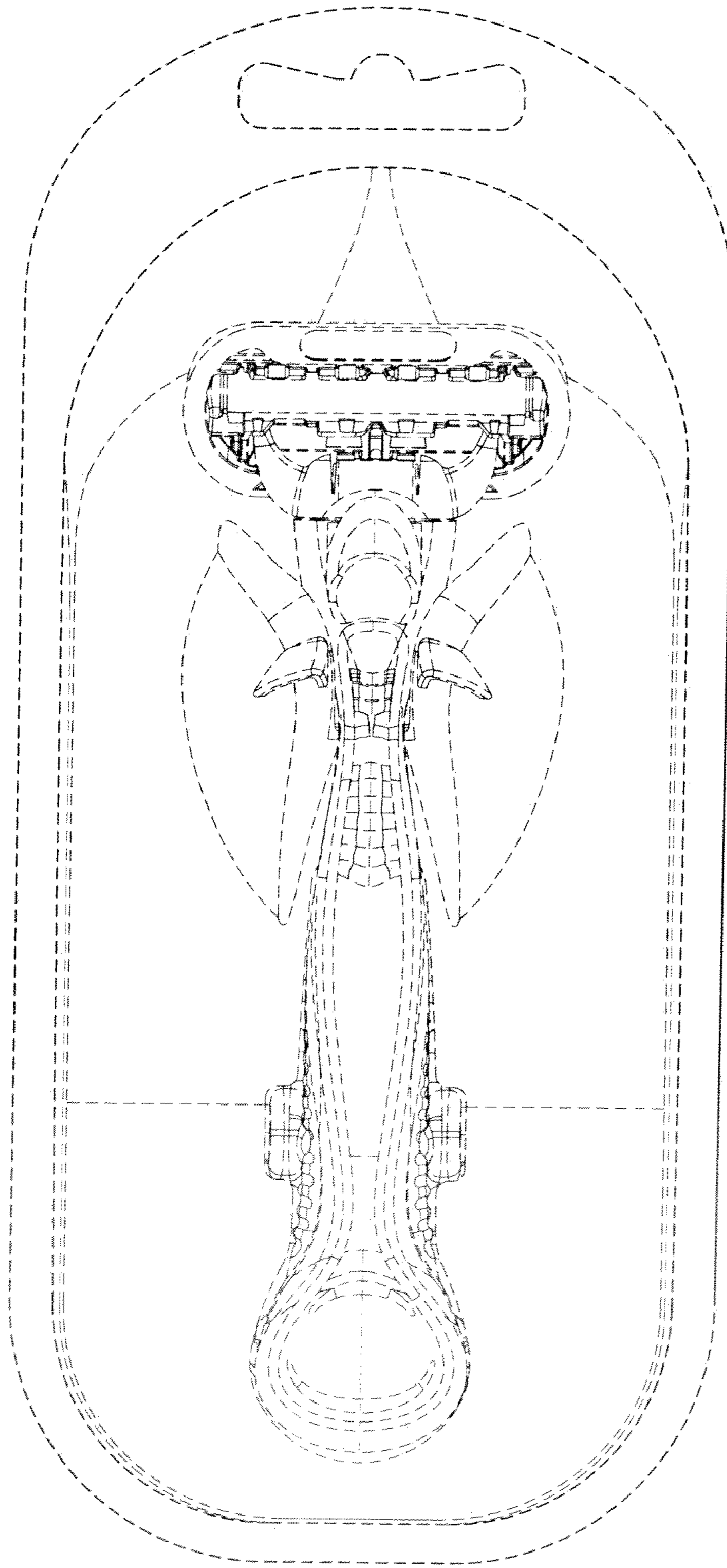


FIG. 2

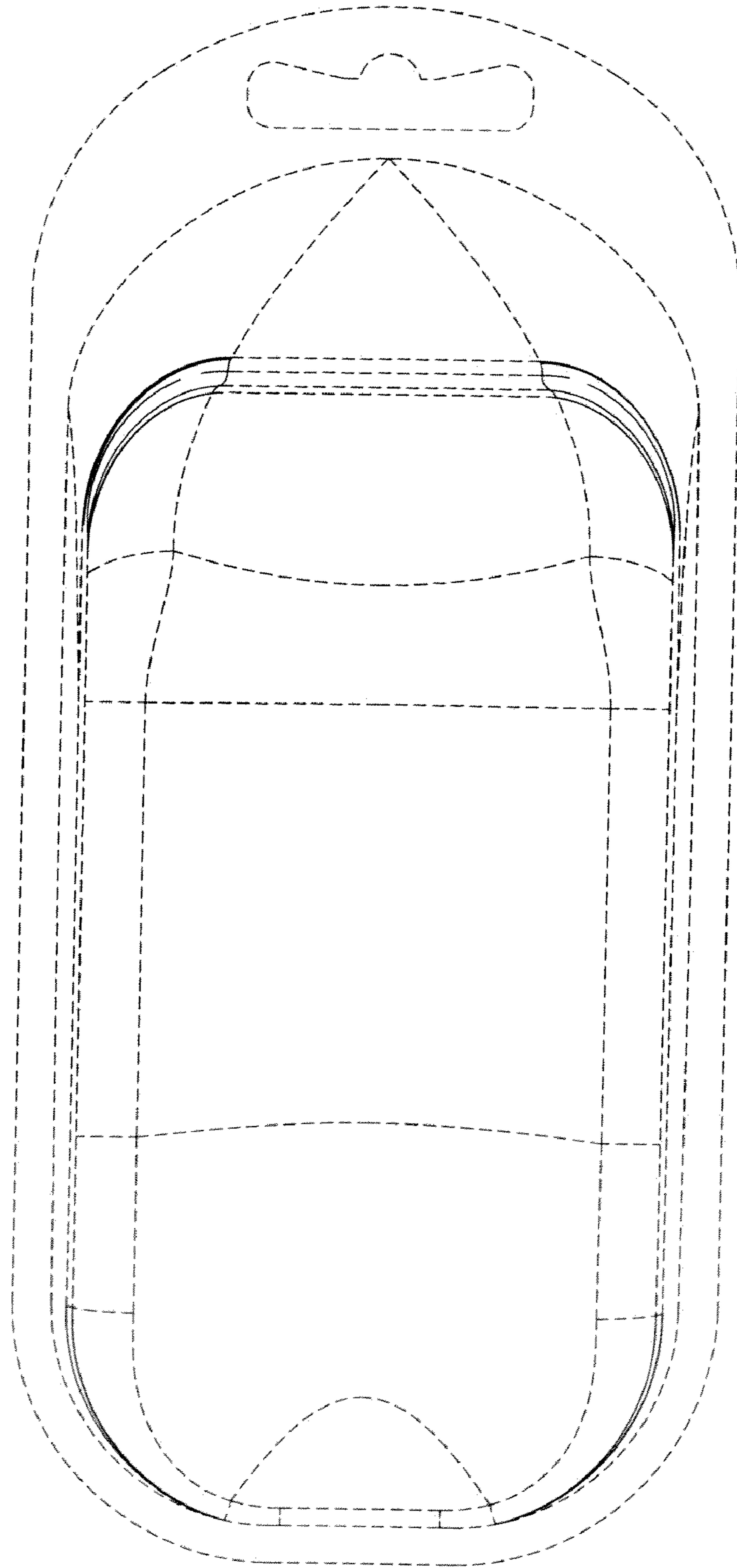


FIG. 3

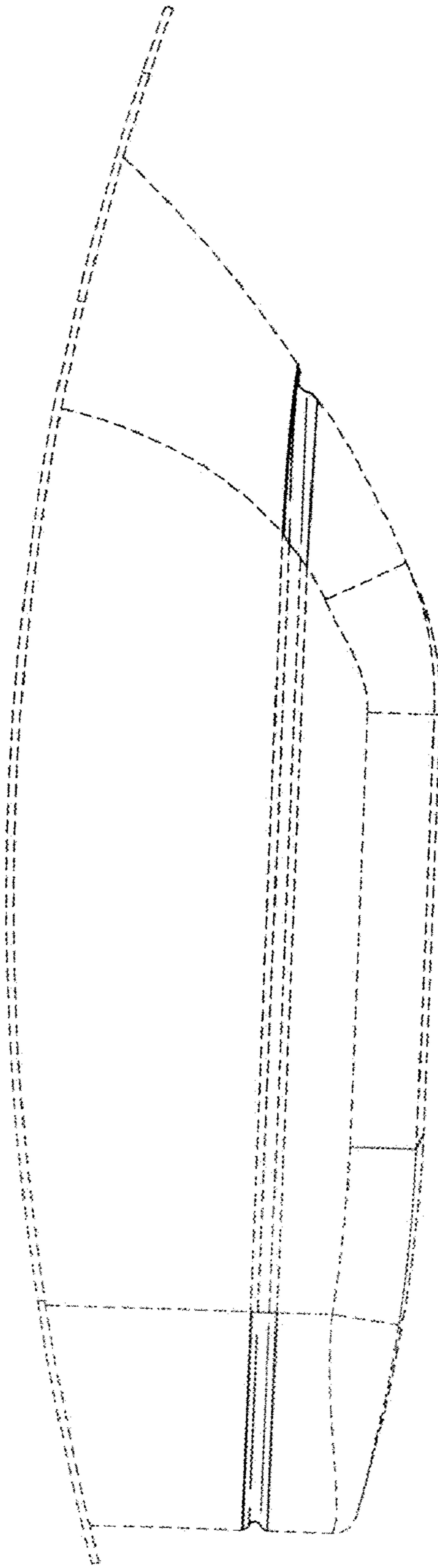


FIG. 4

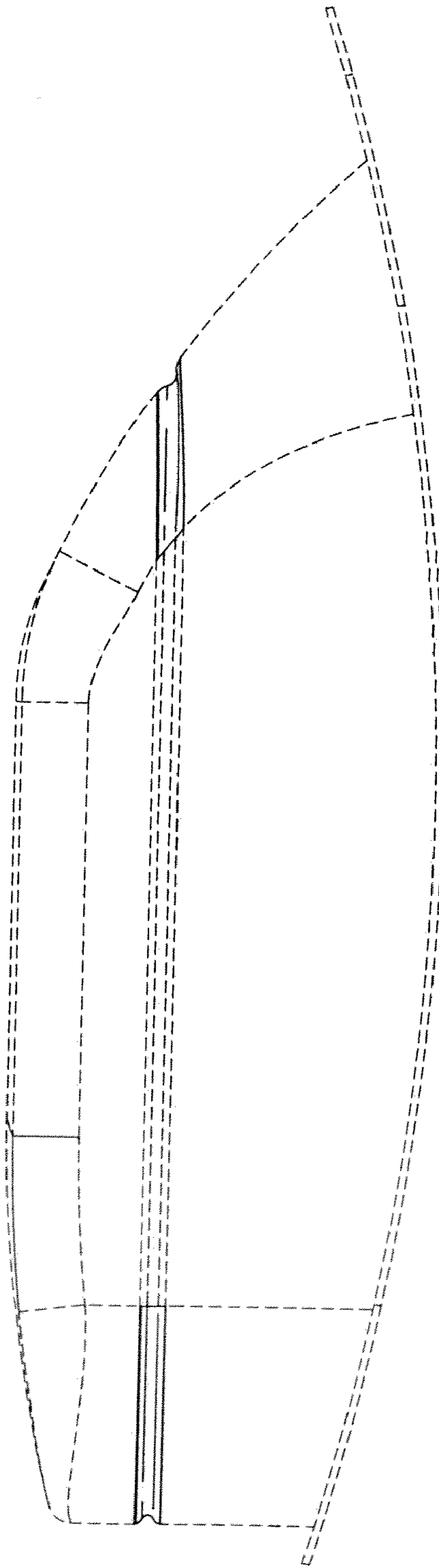


FIG. 5

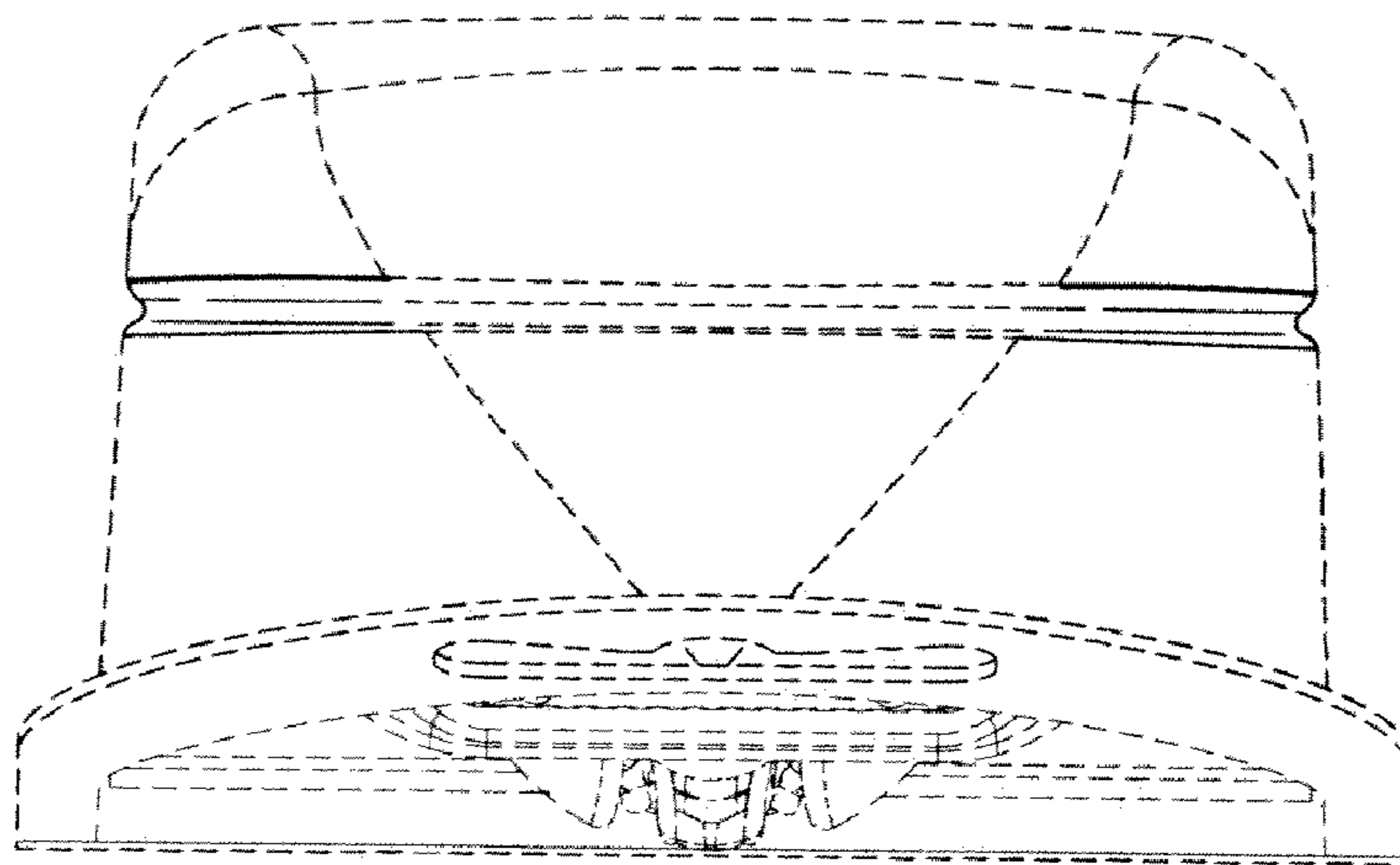


FIG. 6

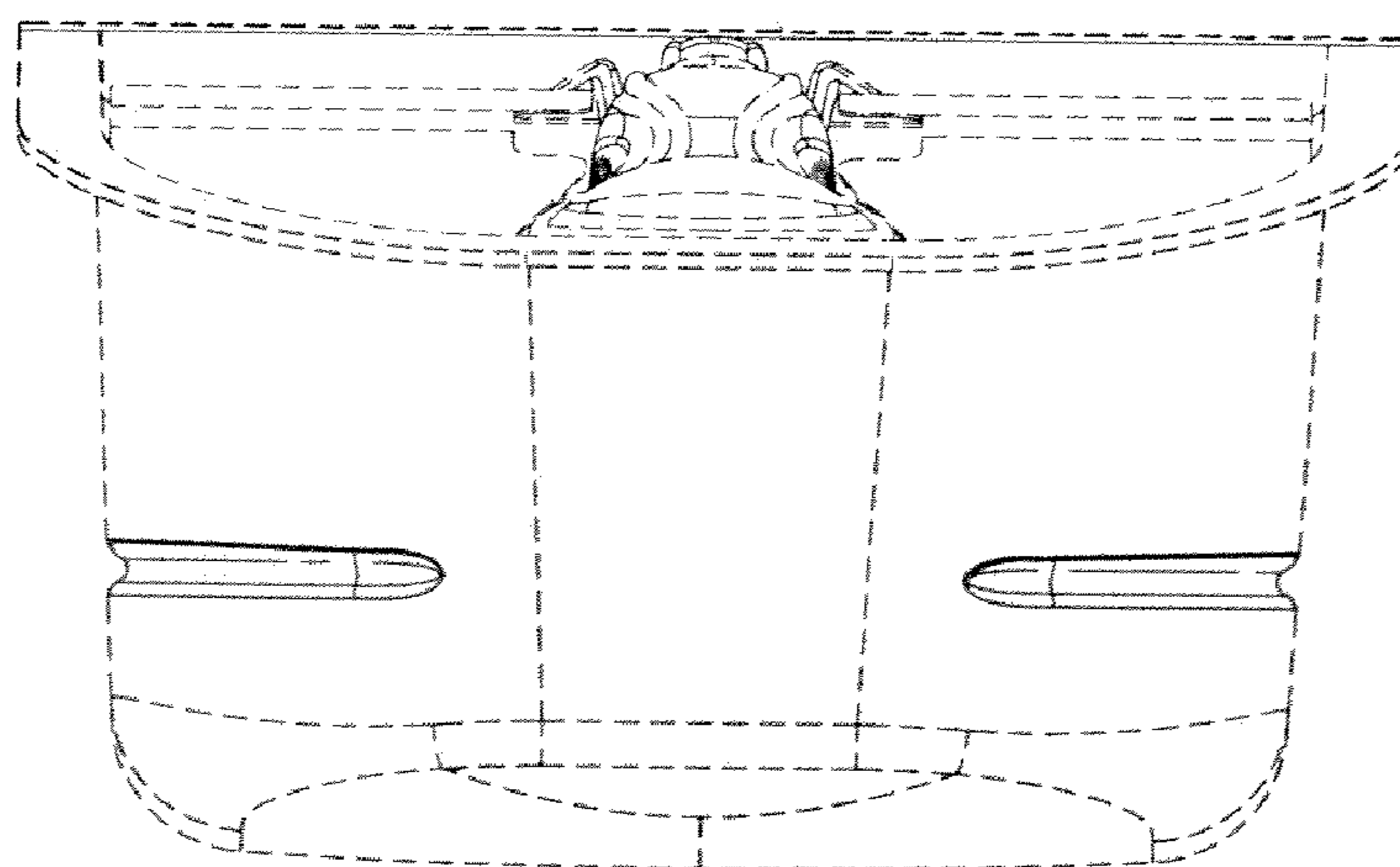


FIG. 7