



US00D678050S

(12) **United States Design Patent**  
**Birchmeier et al.**

(10) **Patent No.:** **US D678,050 S**  
(45) **Date of Patent:** **\*\* Mar. 19, 2013**

(54) **BOWL**  
(75) Inventors: **Kathryn M. Birchmeier**, Glenview, IL (US); **Seema Sundar**, Chicago, IL (US)  
(73) Assignee: **Kraft Foods Group Brands LLC**, Northfield, IL (US)

4,939,332 A 7/1990 Hahn  
D313,556 S 1/1991 Smith  
5,083,699 A 1/1992 Bulcher  
D329,572 S 9/1992 Krupa  
D338,807 S 8/1993 Conti  
D343,338 S 1/1994 Bucher et al.

(Continued)

(\*\*) Term: **14 Years**  
(21) Appl. No.: **29/403,421**

FOREIGN PATENT DOCUMENTS

EP 0721894 7/1996  
EP 1344724 9/2003

(Continued)

(22) Filed: **Oct. 5, 2011**  
(51) **LOC (9) Cl.** ..... **09-03**  
(52) **U.S. Cl.** ..... **D9/424**  
(58) **Field of Classification Search** ..... D9/414,  
D9/419, 423, 424, 425, 430, 431, 432, 761;  
D7/538, 549, 550.1, 552.1, 554.3, 543, 542,  
D7/545, 586, 587, 360, 602, 429, 566, 629;  
206/499, 508, 557, 501; 220/23.4, 23.6,  
220/315, 318, 500, 659, 669, 675, 696, 752,  
220/760, 790, 793, 657; 229/105, 117.09,  
229/117.26, 189, 406, 407, 902, 905, 915.1;  
D30/129

*Primary Examiner* — Stella Reid  
*Assistant Examiner* — Lauren Calve  
(74) *Attorney, Agent, or Firm* — Fitch, Even, Tabin & Flannery LLP

See application file for complete search history.

(57) **CLAIM**  
The ornamental design for a bowl, as shown and described.

(56) **References Cited**

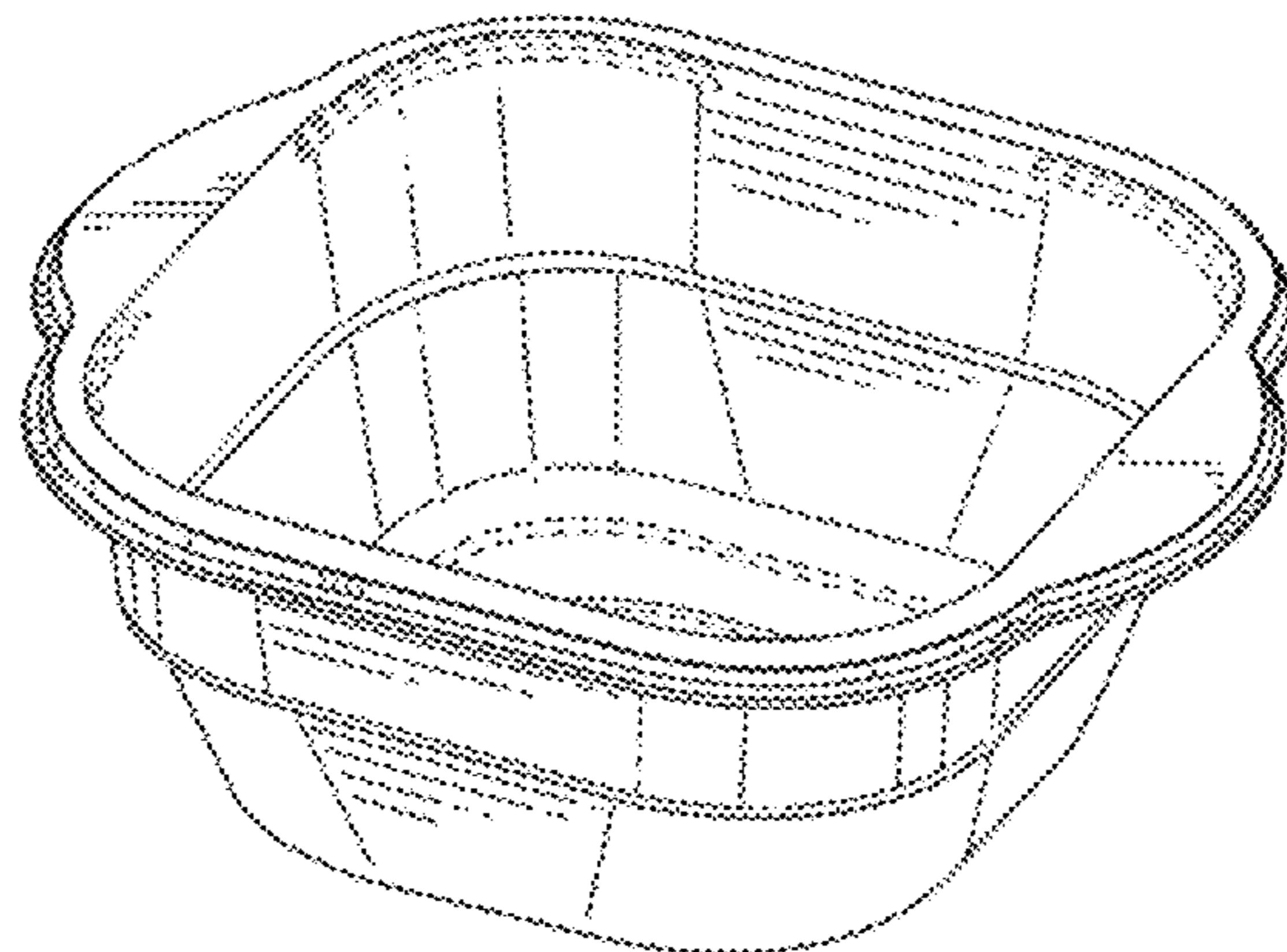
U.S. PATENT DOCUMENTS

D226,723 S \* 4/1973 Mirow ..... D7/360  
D232,612 S 9/1974 Christian et al.  
D246,439 S 11/1977 Lynn et al.  
D248,076 S 6/1978 Christian  
D254,355 S 3/1980 Ottier  
D266,977 S 11/1982 Jensen et al.  
D268,557 S 4/1983 Jensen et al.  
4,420,081 A 12/1983 Dart  
D273,842 S 5/1984 Jeannin  
D276,114 S 10/1984 Conti et al.  
D285,514 S 9/1986 Ritman  
D287,559 S 1/1987 Daenen et al.  
D288,050 S 2/1987 Fox et al.  
D288,649 S 3/1987 Daenen et al.  
D295,819 S 5/1988 Mercadante  
D296,640 S 7/1988 Miller  
D308,942 S 7/1990 Thundercliffe

**DESCRIPTION**

FIG. 1 is a perspective view of a first bowl showing our new design;  
FIG. 2 is a front elevational view of the bowl of FIG. 1, the rear elevational view being identical;  
FIG. 3 is top plan view of the bowl of FIG. 1;  
FIG. 4 is a right side elevational view of the bowl of FIG. 1, the left side elevational view being identical;  
FIG. 5 is a bottom plan view of the bowl of FIG. 1;  
FIG. 6 is a perspective view of a second bowl showing our new design;  
FIG. 7 is a front elevational view of the bowl of FIG. 6, the rear elevational view being identical;  
FIG. 8 is top plan view of the bowl of FIG. 6;  
FIG. 9 is a right side elevational view of the bowl of FIG. 6, the left side elevational view being identical; and,  
FIG. 10 is a bottom plan view of the bowl of FIG. 6.  
Broken line disclosures in the figures are for illustrative purposes only and form no part of the claimed design.

**1 Claim, 6 Drawing Sheets**



# US D678,050 S

Page 2

## U.S. PATENT DOCUMENTS

D349,005	S	*	7/1994	Cousins et al.	.....	D7/543
D349,213	S	*	8/1994	Cousins et al.	.....	D7/543
D351,765	S		10/1994	Beeler et al.		
D363,662	S		10/1995	Plater		
D364,998	S		12/1995	Held		
5,565,228	A		10/1996	Gics		
D388,325	S		12/1997	Tucker et al.		
D391,440	S		3/1998	Cousins		
D402,852	S		12/1998	Benson		
D405,561	S		2/1999	Willinger et al.		
D415,656	S		10/1999	Henry		
D417,367	S	*	12/1999	Laib	.....	D7/602
D423,733	S	*	4/2000	Choi et al.	.....	D30/129
D431,420	S		10/2000	Susta		
D431,421	S		10/2000	Liu		
6,202,886	B1		3/2001	Schneider et al.		
D441,597	S		5/2001	Wyche		
D441,598	S		5/2001	Wyche		
D442,425	S		5/2001	Wyche		
D443,467	S		6/2001	Bradley		
D445,632	S		7/2001	Bradley		
D445,633	S		7/2001	Bradley		
D450,538	S		11/2001	Benson		
D452,417	S		12/2001	Whitmore et al.		
D456,673	S		5/2002	Kerman		
D457,784	S		5/2002	Torniainen et al.		
D459,635	S		7/2002	Henry		
D466,762	S		12/2002	Cote et al.		
D470,018	S		2/2003	Claypool		
D473,426	S		4/2003	Jalet et al.		
D475,246	S		6/2003	Jorgensen		
D475,579	S		6/2003	Jorgensen		
D475,620	S		6/2003	Chen et al.		
D476,195	S		6/2003	Wellner		
D476,851	S		7/2003	Wuestman		
D477,187	S		7/2003	McCallister et al.		
D478,474	S		8/2003	Zettle		
D478,475	S		8/2003	Backes et al.		
D483,616	S		12/2003	Thonis		
D483,617	S		12/2003	Watson		
D483,618	S		12/2003	Watson		
D484,363	S	*	12/2003	de Groote et al.	.....	D7/543
D484,745	S		1/2004	Watson		
6,672,473	B2	*	1/2004	Torniainen et al.	.....	220/657
D486,999	S	*	2/2004	de Groote et al.	.....	D7/667
D489,004	S		4/2004	Parman		
D490,278	S		5/2004	Welsh		
6,810,788	B2		11/2004	Hale		
6,848,591	B2	*	2/2005	Kiel et al.	.....	220/359.1
D508,822	S		8/2005	Smith et al.		
D512,631	S		12/2005	Lhoste et al.		
D513,979	S		1/2006	Snedden et al.		
D514,438	S		2/2006	Snedden et al.		
D514,441	S		2/2006	Snedden et al.		
D515,872	S		2/2006	Vendl et al.		

D520,303	S		5/2006	Hayes et al.		
D522,809	S	*	6/2006	Kusuma et al.	.....	D7/602
D535,153	S		1/2007	Eide et al.		
D545,134	S		6/2007	Hayes et al.		
D547,614	S		7/2007	Kell		
D551,911	S		10/2007	Hayes et al.		
D555,476	S		11/2007	Nielsen		
D559,041	S		1/2008	Gartz et al.		
D563,175	S		3/2008	Levien		
D564,138	S	*	3/2008	Dunn et al.	.....	D30/129
7,347,327	B2		3/2008	Lobman et al.		
D567,029	S		4/2008	Valderrama et al.		
D567,591	S		4/2008	Weber		
D568,109	S		5/2008	Weber		
D571,156	S		6/2008	Gartz et al.		
D572,979	S		7/2008	Delbaere		
D590,663	S		4/2009	Simon et al.		
7,543,527	B2		6/2009	Schmed		
D597,796	S	*	8/2009	Roth et al.	.....	D7/629
D599,623	S		9/2009	de Groote		
D601,385	S	*	10/2009	Savage	.....	D7/566
D604,989	S		12/2009	Chen et al.		
D607,279	S		1/2010	Hollis et al.		
D609,530	S		2/2010	Hart et al.		
D611,305	S		3/2010	Hart et al.		
7,762,396	B1		7/2010	Yang et al.		
D630,061	S		1/2011	Kellermann et al.		
D631,296	S		1/2011	Green-Cotton et al.		
D631,703	S		2/2011	Green-Cotton et al.		
D632,135	S		2/2011	Green-Cotton et al.		
D634,164	S		3/2011	Coursey		
D635,402	S		4/2011	Shah		
D636,229	S		4/2011	Koennecke		
D636,230	S		4/2011	Koennecke		
D642,905	S		8/2011	Samartgis		
D642,906	S		8/2011	Samartgis		
D642,907	S		8/2011	Samartgis		
D643,710	S		8/2011	Samartgis		
D643,711	S		8/2011	Samartgis		
D643,712	S		8/2011	Samartgis		
D644,883	S		9/2011	Samartgis		
D651,470	S	*	1/2012	Henderson et al.	.....	D7/554.3
2005/0040068	A1		2/2005	Palder		
2006/0054028	A1		3/2006	De Pinchuk		
2009/0179039	A1		7/2009	Cimmerer et al.		

## FOREIGN PATENT DOCUMENTS

EP	2327344	6/2011
JP	2011042377	3/2011
WO	WO2006057013	6/2006
WO	WO2007026384	3/2007
WO	WO2010128161	11/2010
WO	WO2010135765	12/2010

\* cited by examiner

FIG. 1

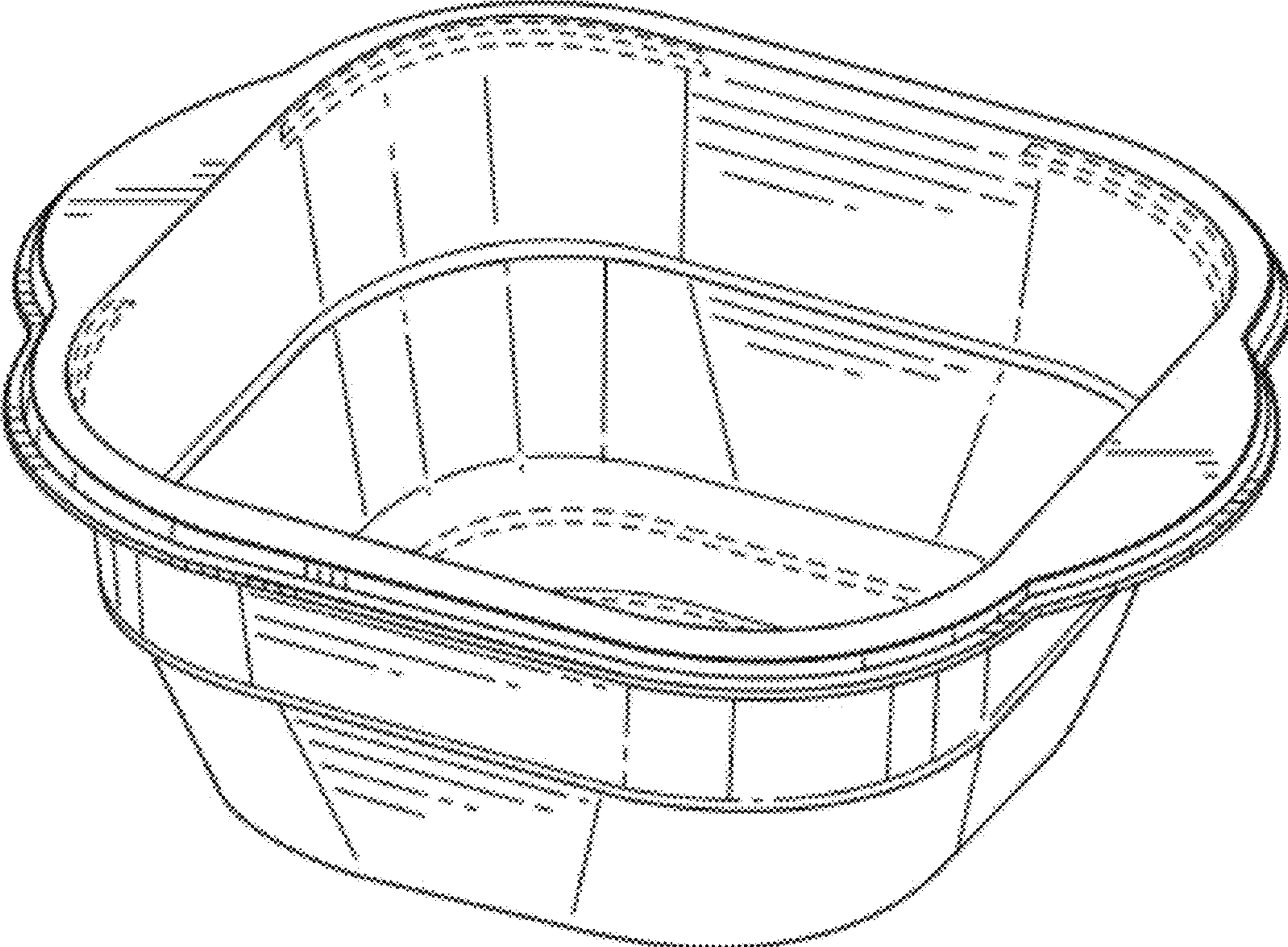


FIG. 2

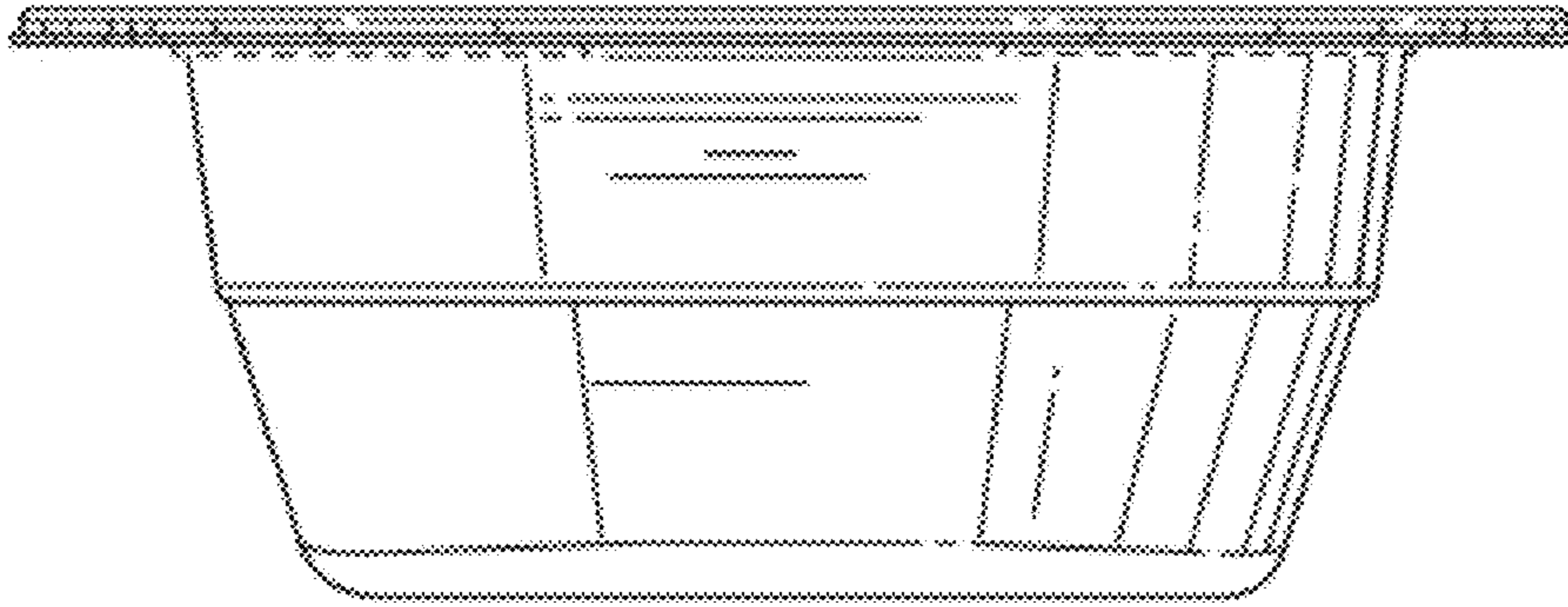


FIG. 3

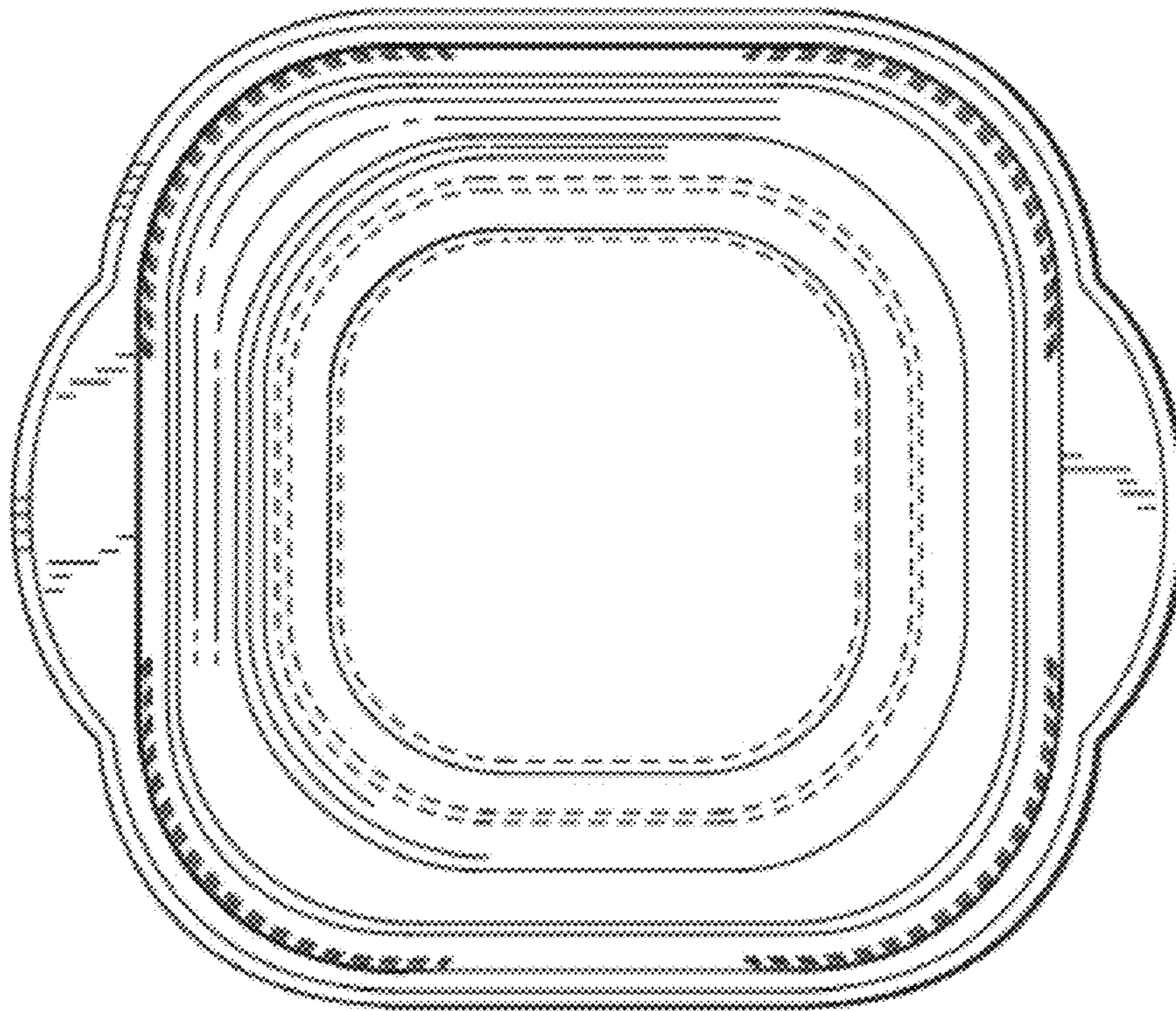


FIG. 4

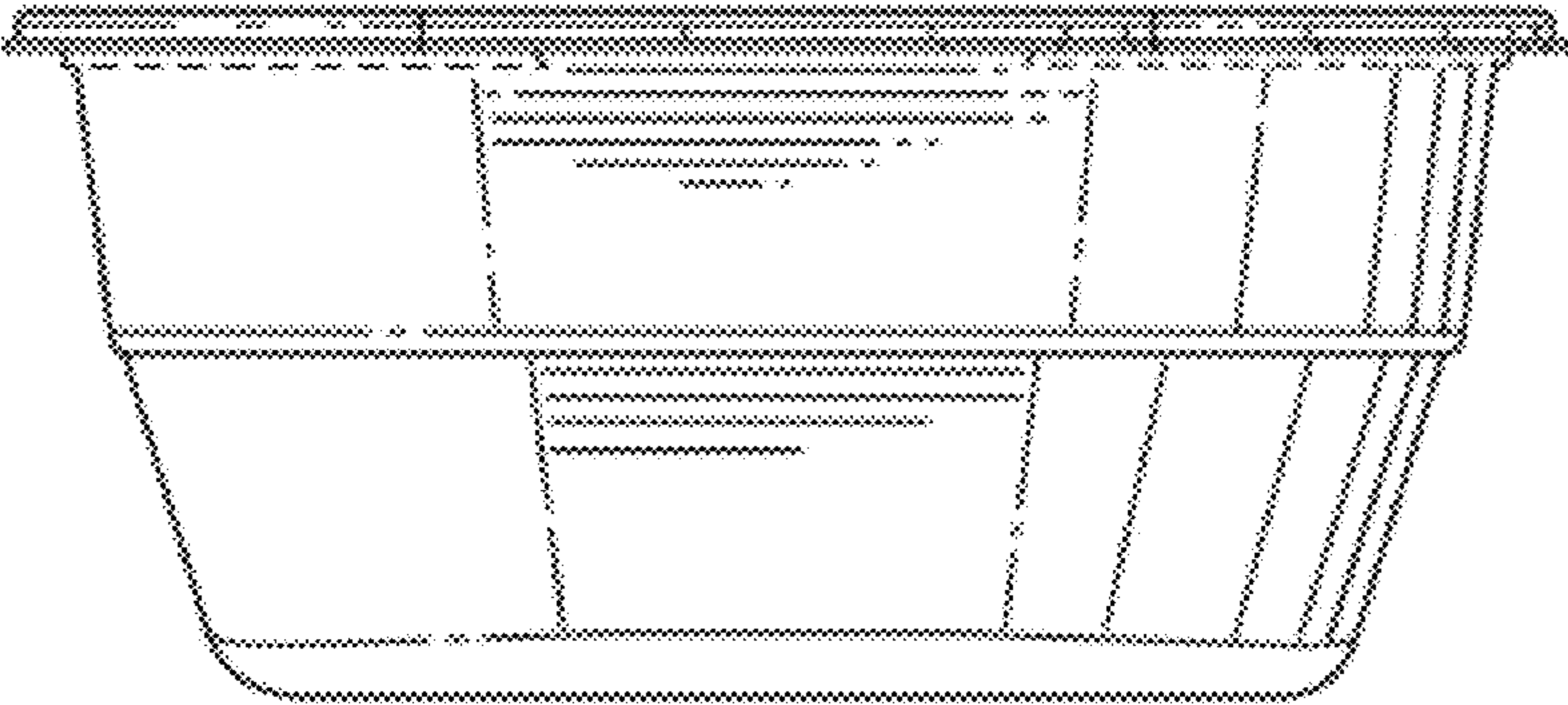


FIG. 5

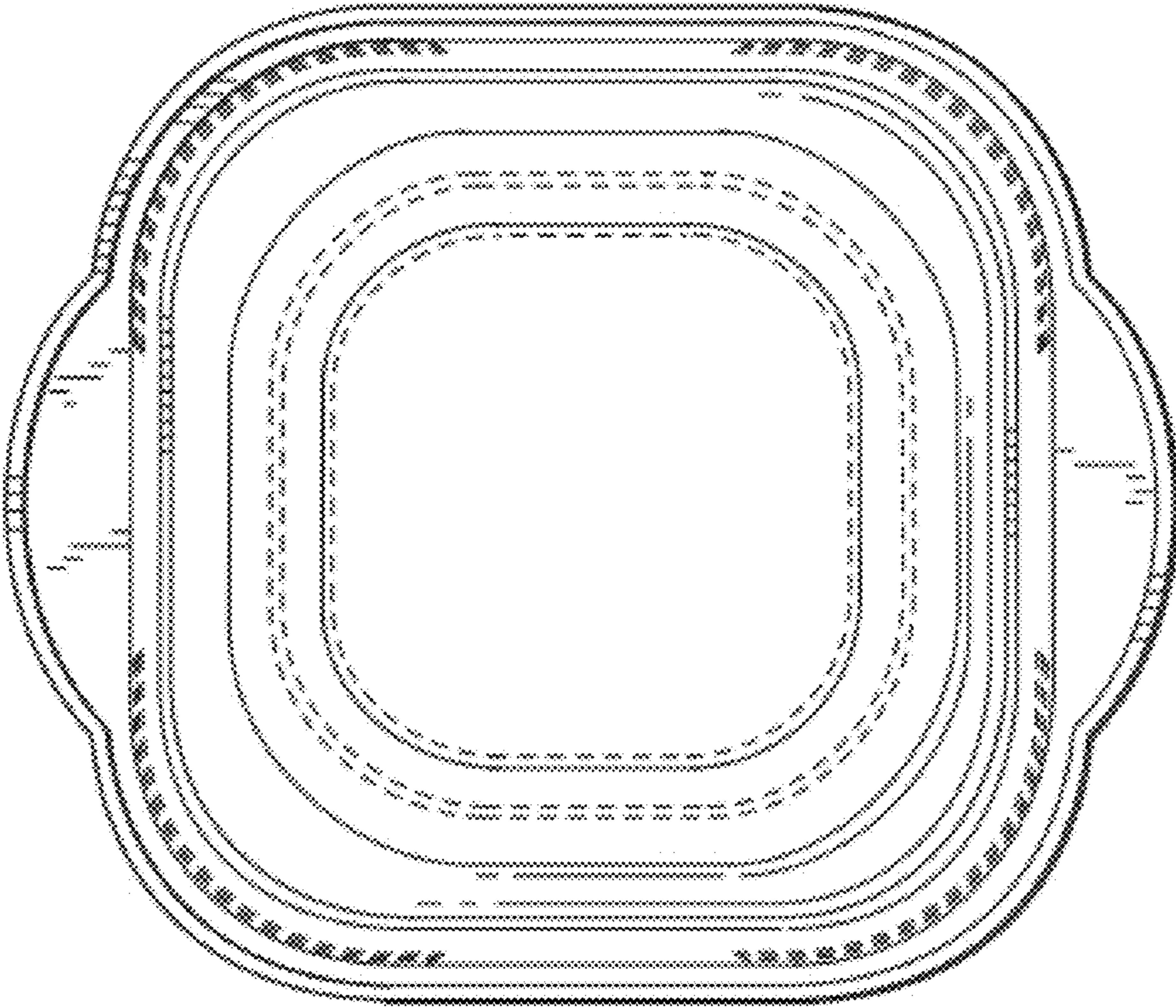


FIG. 6

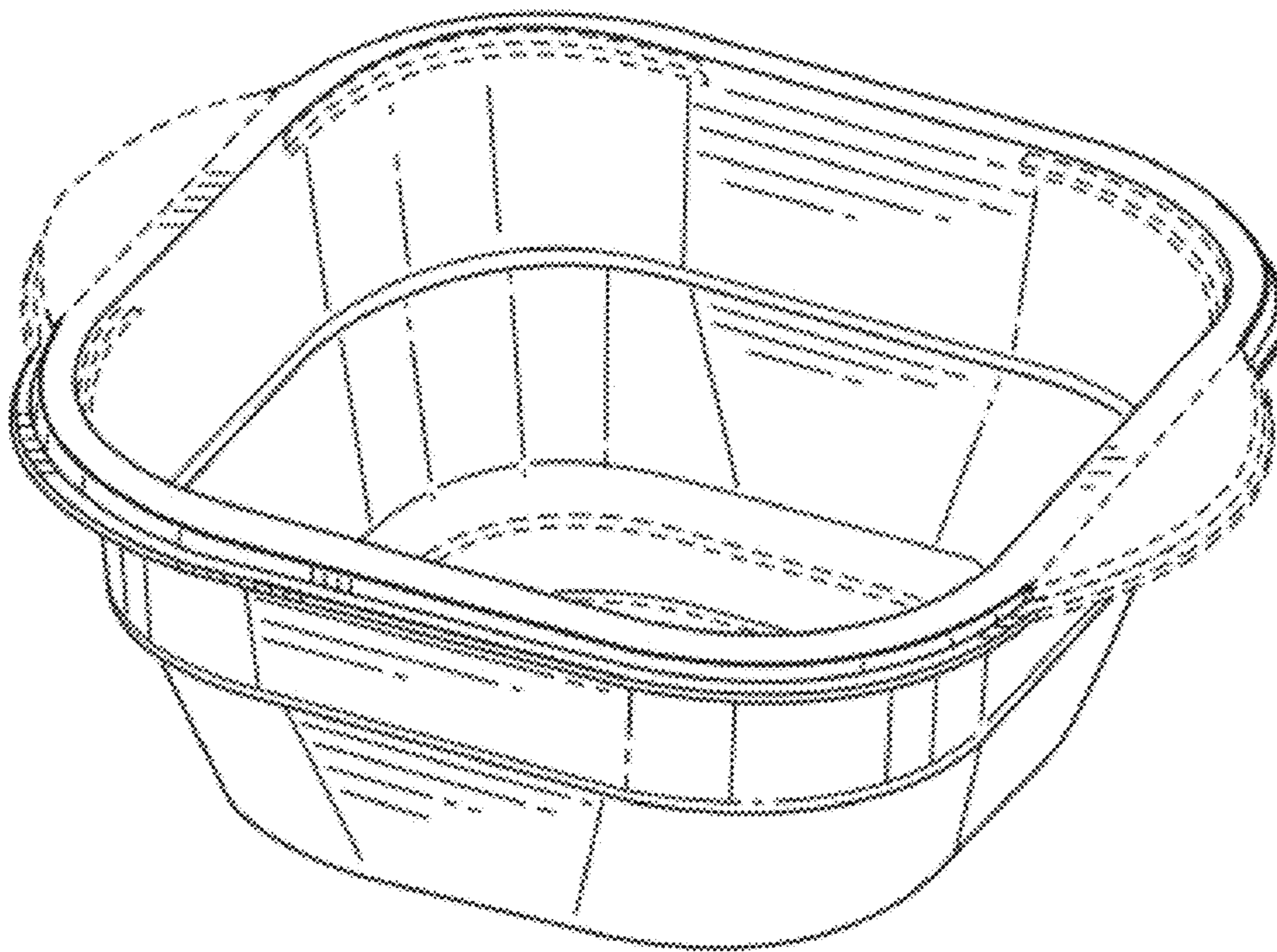


FIG. 7

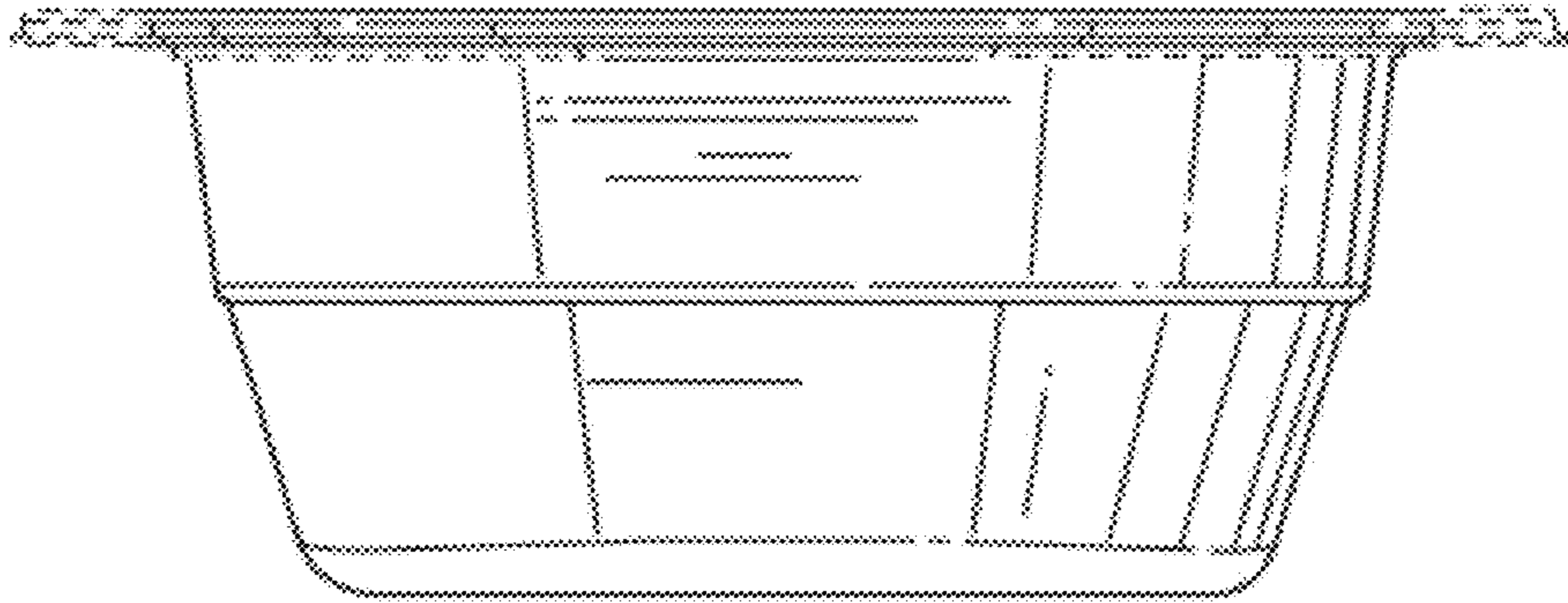


FIG. 8

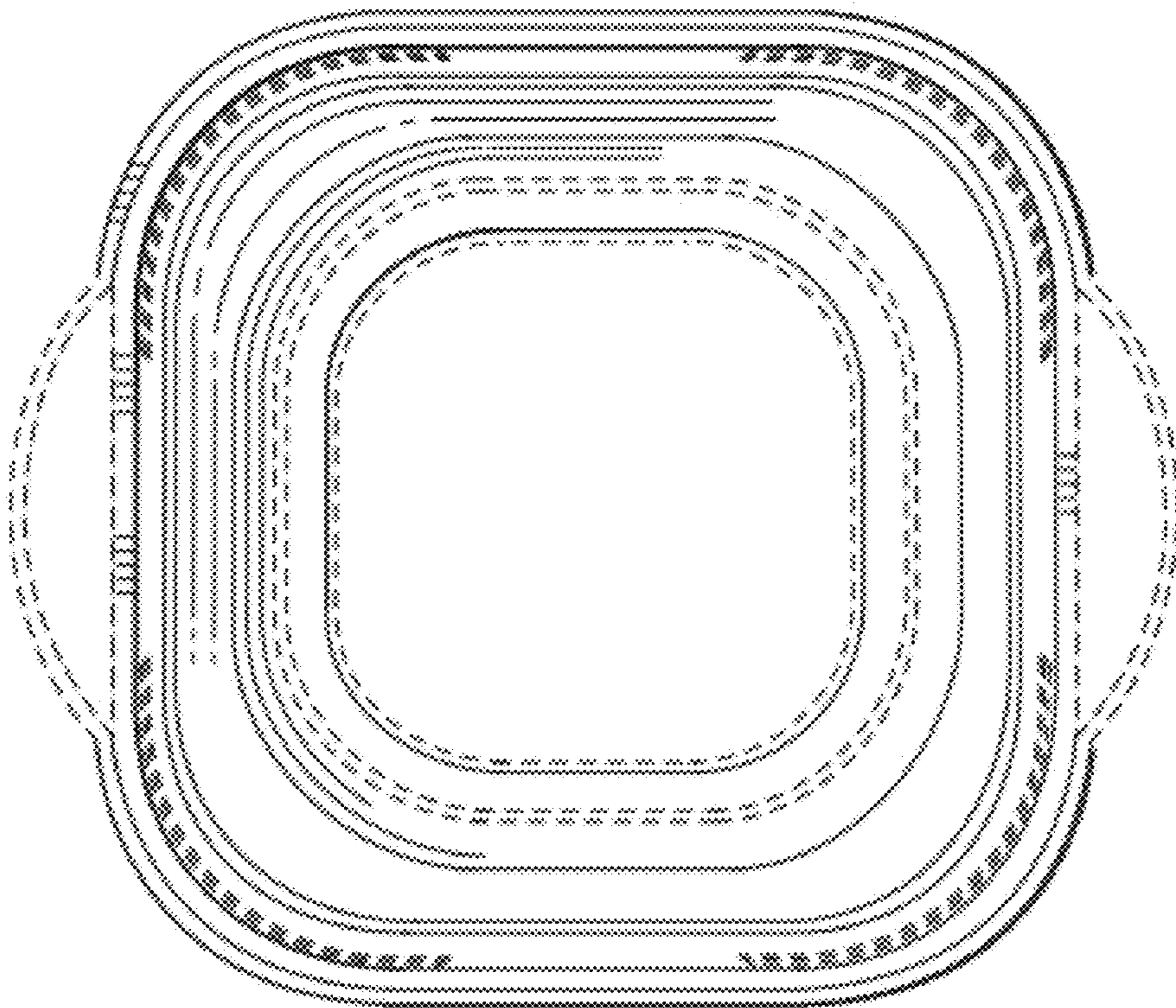


FIG. 9

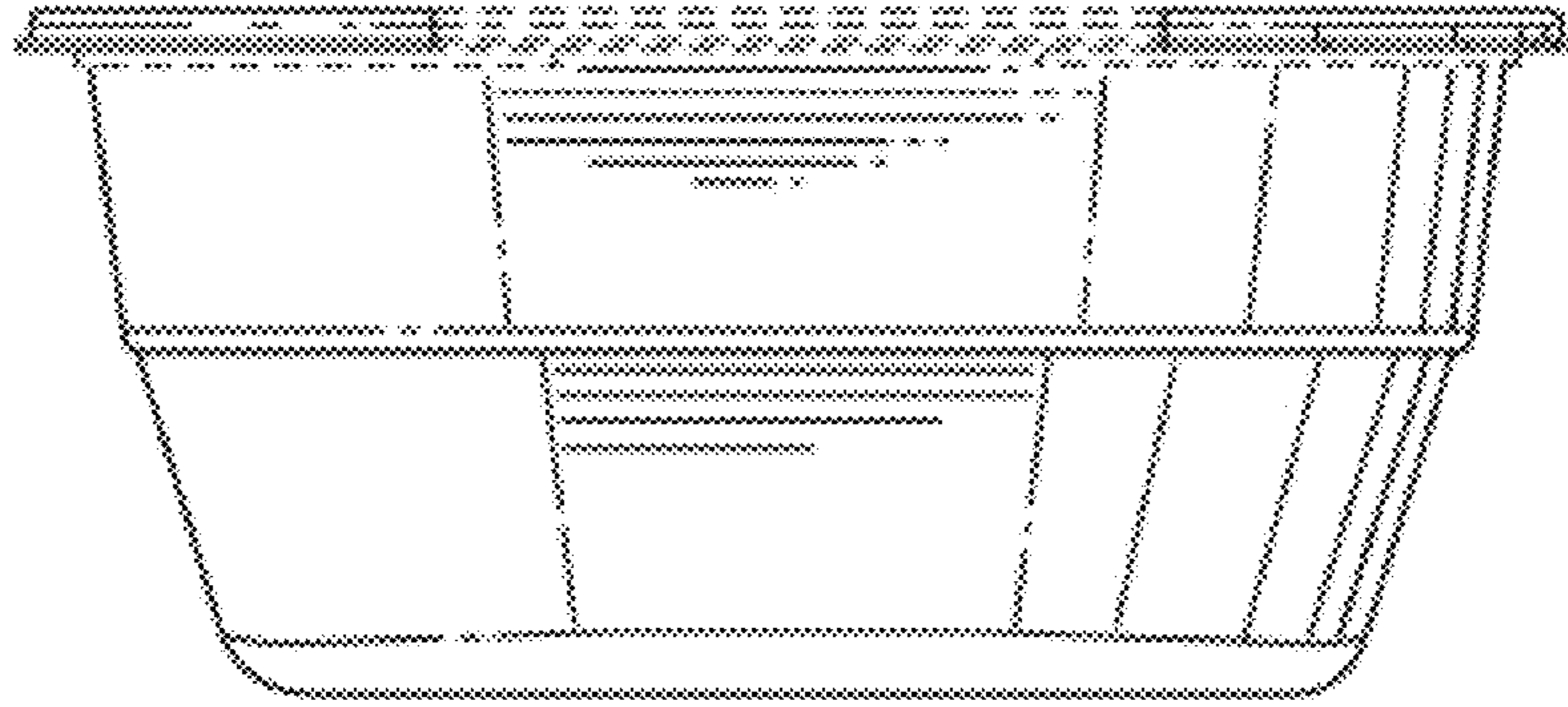


FIG. 10

