

US00D678049S

(12) **United States Design Patent**  
**Bakker et al.**

(10) **Patent No.:** **US D678,049 S**  
(45) **Date of Patent:** **\*\* Mar. 19, 2013**

(54) **CHAMFERED BOX**

(75) Inventors: **Karl Anton Bakker**, San Francisco, CA (US); **Joselito (Jay) T. Crespo**, Burlingame, CA (US); **Jeffrey A. Henderson**, San Jose, CA (US); **Paul Grady Russell**, Campbell, CA (US)

(73) Assignee: **Amazon Technologies, Inc.**, Reno, NV (US)

(\*\*) Term: **14 Years**

(21) Appl. No.: **29/396,432**

(22) Filed: **Jun. 29, 2011**

(51) **LOC (9) Cl.** ..... **09-03**

(52) **U.S. Cl.** ..... **D9/416**

(58) **Field of Classification Search** ..... D9/414-418, D9/425, 430-433, 730, 737, 734, 756, 759, D9/761, 337, 341, 345, 346, 423; 206/223, 206/484, 525, 530, 829, 824, 62.13, 233, 206/449, 455, 556, 784, 205, 555, 613, 607, 206/629, 631-33, 822, 299, 812, 476, 527, 206/278, 737; 229/924, 200, 125.39, 122, 229/242, 240, 205, 207, 165, 75, 117.24, 229/100, 121, 639, 201, 128, 116.1, 106, 229/108.1, 108, 193, 227, 101.1, 102; D7/631; 383/205; D11/221

See application file for complete search history.

(56) **References Cited**

**U.S. PATENT DOCUMENTS**

3,246,829	A *	4/1966	Sexton	.....	229/228
3,520,466	A *	7/1970	Vokes et al.	.....	229/122
3,767,188	A *	10/1973	Rosenberg et al.	.....	271/145
2003/0164317	A1 *	9/2003	Fujiwara	.....	206/425

**OTHER PUBLICATIONS**

<http://www.buy.com/prod/aurora-crocodile-collection-letter-tray-leather-paperboard-pink/216675513.html> search RMS[Oct. 15, 2012 9:11:46 AM].\*

<http://www.officedepot.com/a/products/672619/See-Jane-Work-Paperboard-Letter-Tray/> search RMS[Oct. 15, 2012 9:07:52 AM].\*

U.S. Appl. No. 29/393,185, filed May 31, 2011, Bakker et al., "Carton With Finger Scoop," 5 pages.

U.S. Appl. No. 29/393,187, filed May 31, 2011, Bakker et al., "Chamfered Carton," 5 pages.

U.S. Appl. No. 29/396,425, filed Jun. 29, 2011, Bakker et al., "Chamfered Box With Finger Scoop," 7 pages.

\* cited by examiner

*Primary Examiner* — Robert M Spear

*Assistant Examiner* — Rhea Shields

(74) *Attorney, Agent, or Firm* — Lee & Hayes, PLLC

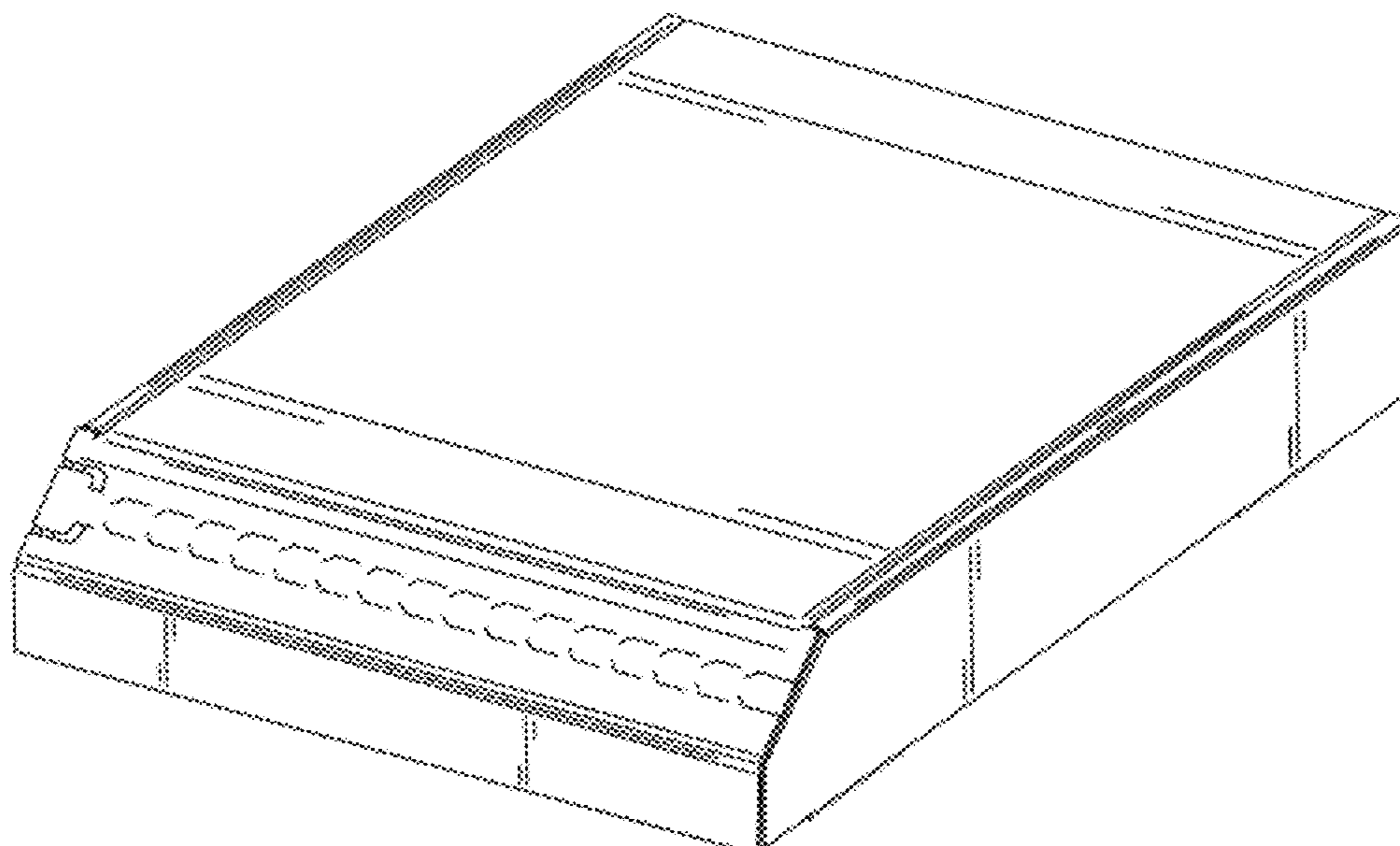
(57) **CLAIM**

The ornamental design for a chamfered box, as shown and described.

**DESCRIPTION**

FIG. 1 is a perspective view of a chamfered box; FIG. 2 is a front elevation view of the chamfered v of FIG. 1; FIG. 3 is a back elevation view of the chamfered box of FIG. 1; FIG. 4 is a left side elevation view of the chamfered box of FIG. 1; FIG. 5 is a right side elevation view of the chamfered box of FIG. 1; FIG. 6 is a top plan view of the chamfered box of FIG. 1; and, FIG. 7 is a bottom plan view of the chamfered box of FIG. 1. The broken lines are directed to unclaimed portions and form no part of the claimed design.

**1 Claim, 7 Drawing Sheets**



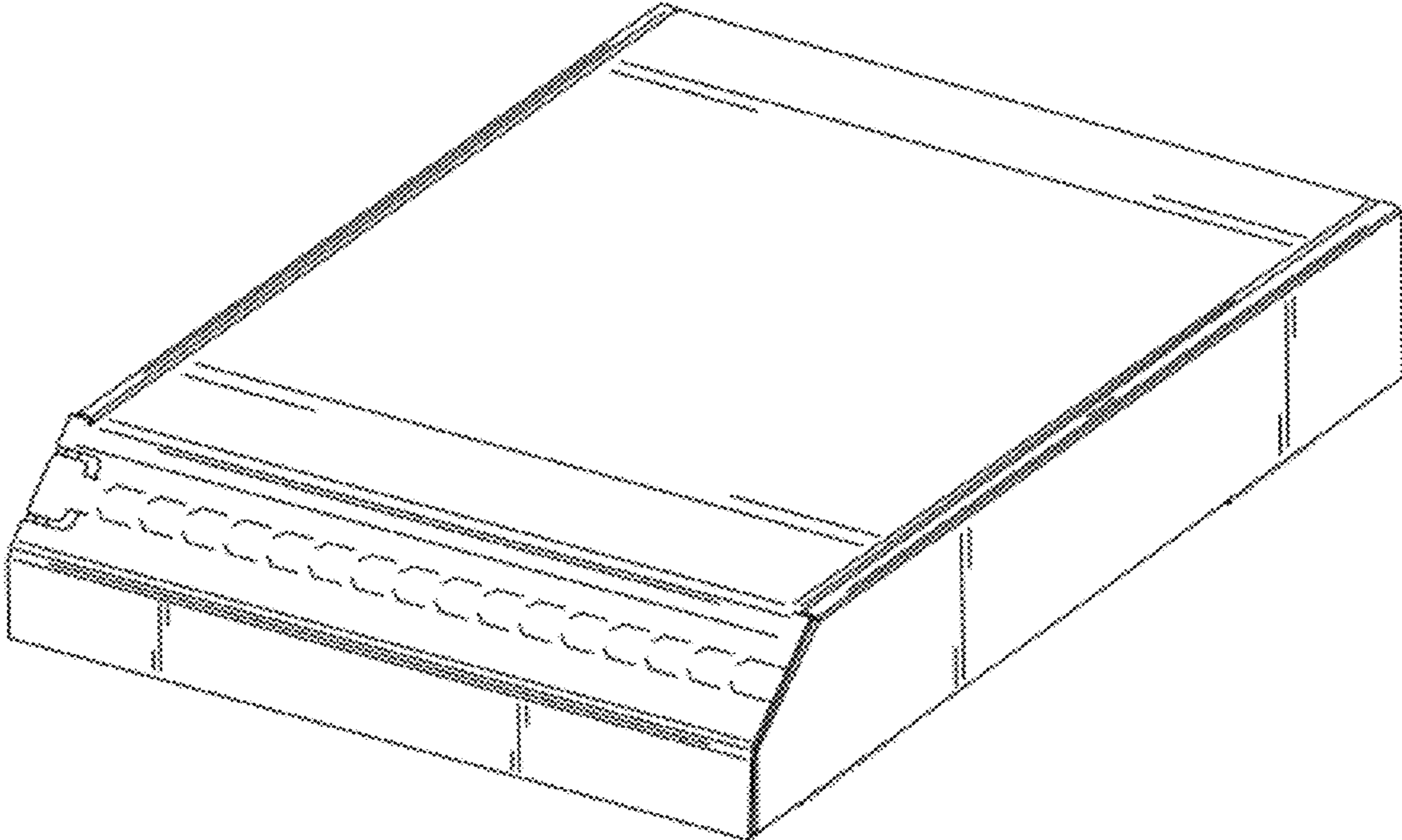


FIG. 1



FIG. 2



FIG. 3

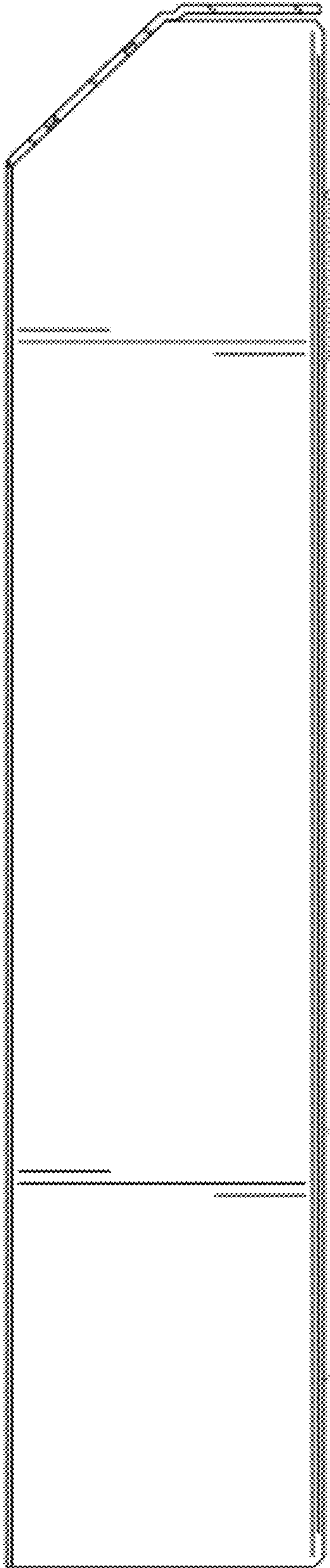


FIG. 4

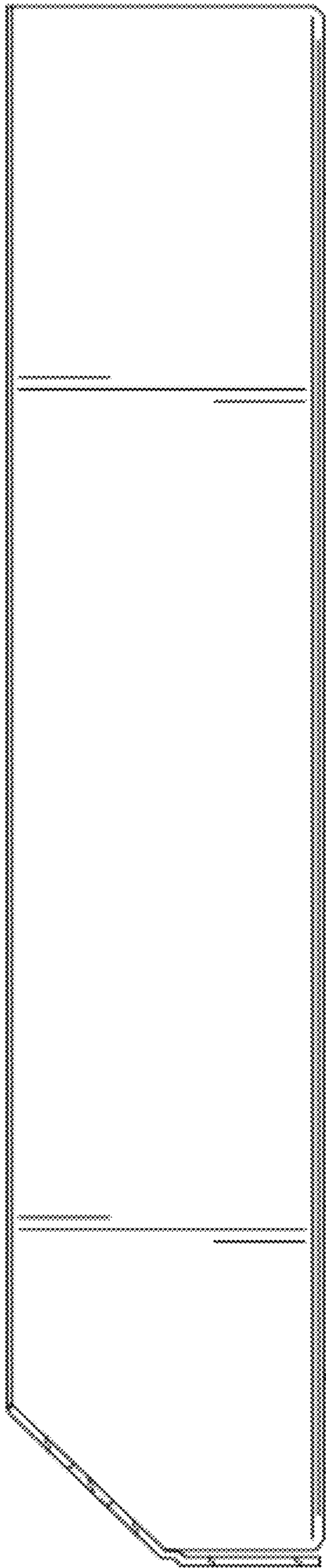


FIG. 5

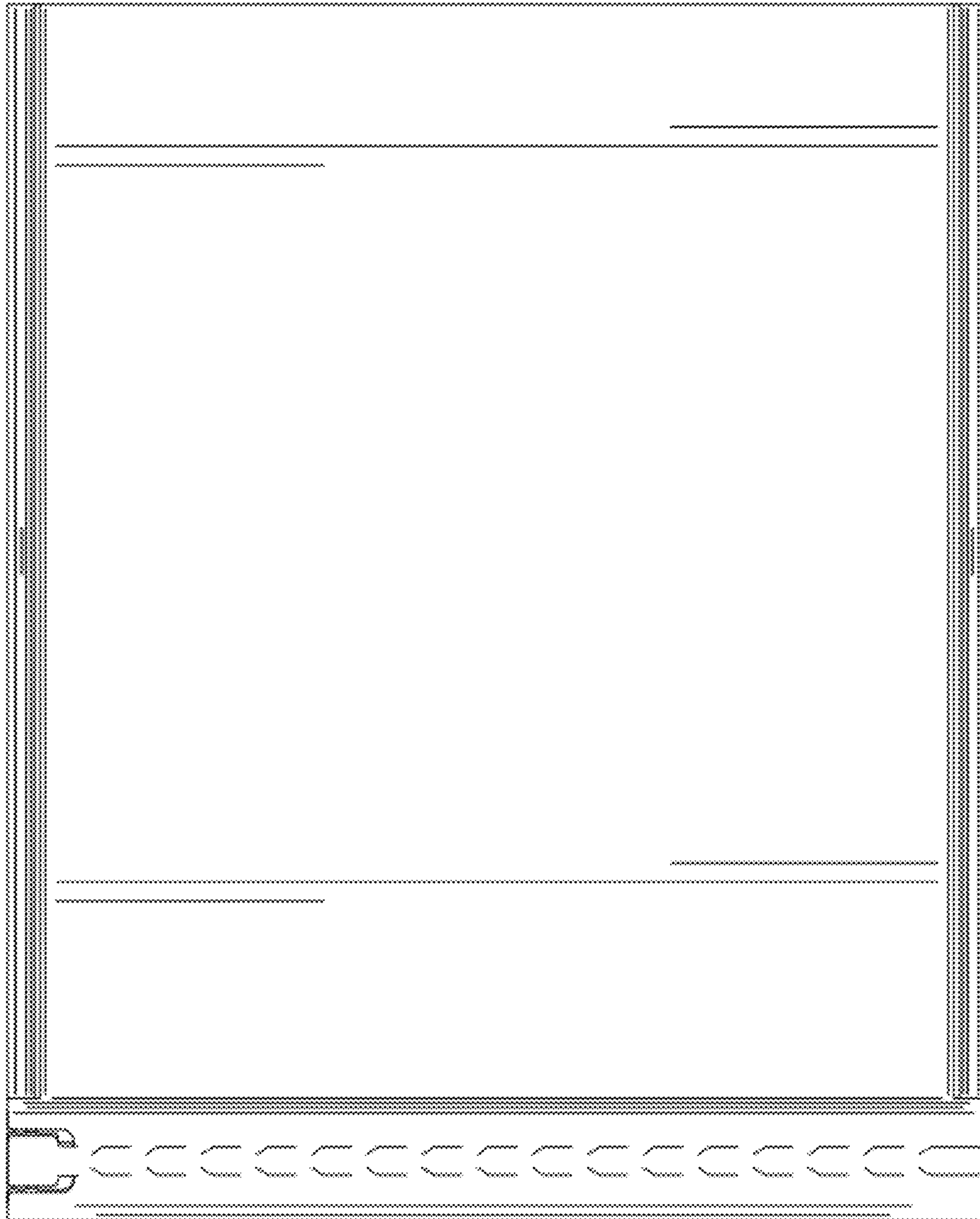


FIG. 6

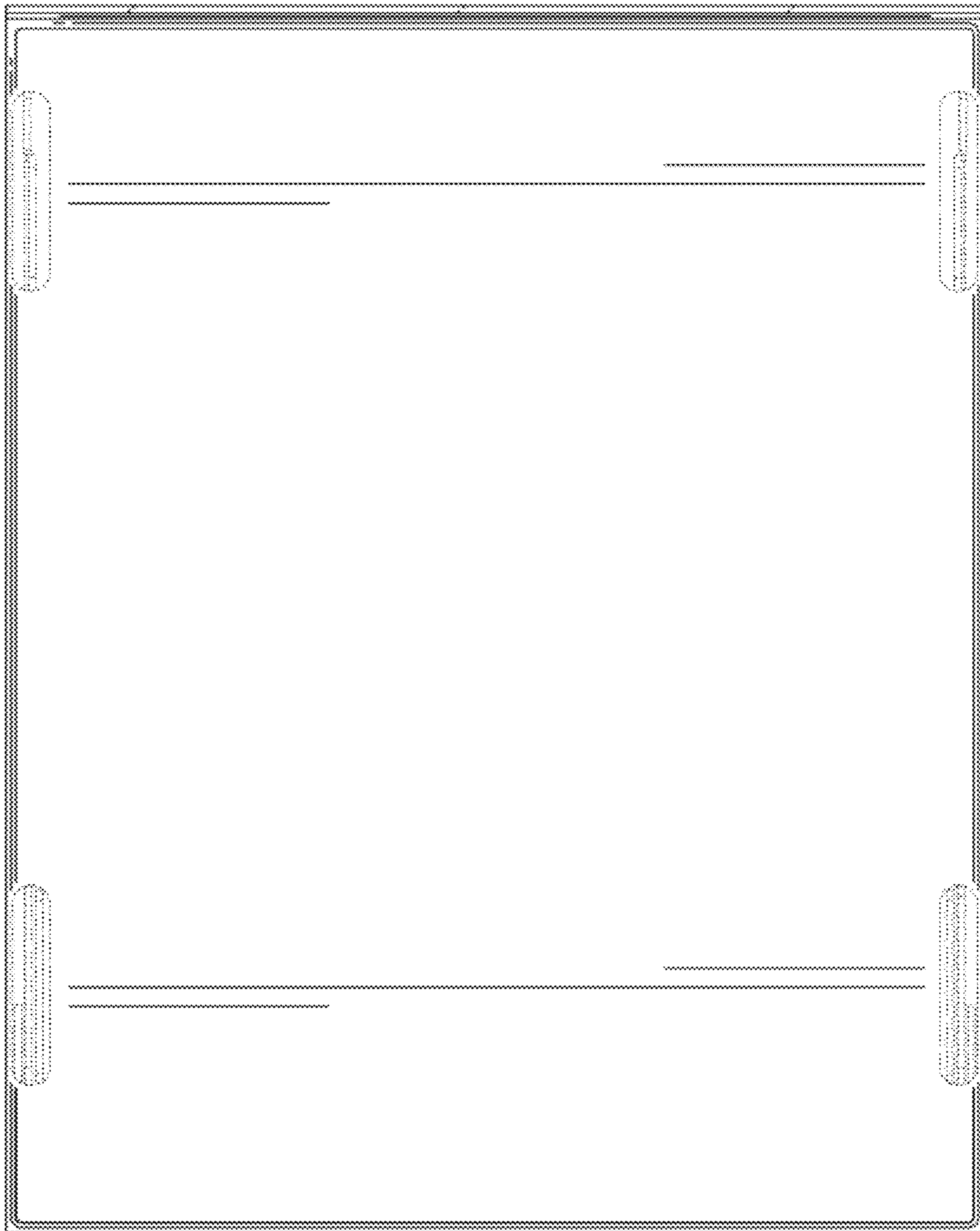


FIG. 7