



US00D678048S

(12) **United States Design Patent**
Bakker et al.

(10) **Patent No.:** **US D678,048 S**
(45) **Date of Patent:** **** Mar. 19, 2013**

(54) **CHAMFERED CARTON**

(75) Inventors: **Karl Anton Bakker**, San Francisco, CA (US); **Jeffrey A. Henderson**, San Jose, CA (US); **Paul Grady Russell**, Campbell, CA (US); **Joselito (Jay) T. Crespo**, Burlingame, CA (US)

(73) Assignee: **Amazon Technologies, Inc.**, Reno, NV (US)

(**) Term: **14 Years**

(21) Appl. No.: **29/393,187**

(22) Filed: **May 31, 2011**

(51) **LOC (9) Cl.** **09-03**

(52) **U.S. Cl.** **D9/416**

(58) **Field of Classification Search** D9/414-418, D9/425, 430-433, 730, 737, 734, 756, 759, D9/761, 337, 341, 345, 346, 423; 206/223, 206/484, 525, 530, 829, 824, 62.13, 233, 206/449, 455, 556, 784, 205, 555, 613, 607, 206/629, 631-33, 822, 299, 812, 476, 527, 206/278, 737; 229/924, 200, 125.39, 122, 229/242, 240, 205, 207, 165, 75, 117.24, 229/100, 121, 639, 201, 128, 116.1, 106, 229/108.1, 108, 193, 227, 101.1, 102; D7/631; 383/205; D11/221

See application file for complete search history.

(56) **References Cited**

U.S. PATENT DOCUMENTS

| | | | | | |
|--------------|------|---------|------------------|-------|---------|
| 3,246,829 | A * | 4/1966 | Stuart | | 229/228 |
| 3,520,466 | A * | 7/1970 | Vokes et al. | | 229/122 |
| 3,767,188 | A * | 10/1973 | Rosenberg et al. | | 271/145 |
| D352,897 | S * | 11/1994 | Jackson | | D9/431 |
| 2002/0148887 | A1 * | 10/2002 | Auclair | | 229/240 |
| 2003/0164317 | A1 * | 9/2003 | Fujiwara | | 206/425 |

OTHER PUBLICATIONS

<http://www.buy.com/prod/aurora-crocodile-collection-letter-tray-leather-paperboard-pink/216675513.html> search RMS[Oct. 15, 2012 9:11:46 AM].*

<http://www.officedepot.com/a/products/672619/See-Jane-Work-Paperboard-Letter-Tray/> search RMS[Oct. 15, 2012 9:07:52 AM].* U.S. Appl. No. 29/393,185, filed May 31, 2011, Bakker et al., "Carton With Finger Scoop," 5 pages.

U.S. Appl. No. 29/396,425, filed Jun. 29, 2011, Bakker et al., "Chamfered Box With Finger Scoop," 7 pages.

U.S. Appl. No. 29/396,432, filed Jun. 29, 2011, Bakker et al., "Chamfered Box," 8 pages.

* cited by examiner

Primary Examiner — Robert M. Spear

Assistant Examiner — Rhea Shields

(74) *Attorney, Agent, or Firm* — Lee & Hayes, PLLC

(57) **CLAIM**

The ornamental design for a chamfered carton, as shown and described.

DESCRIPTION

FIG. 1 is a perspective view of a chamfered carton; FIG. 2 is a top plan view of the chamfered carton of FIG. 1; FIG. 3 is a back elevation view of the chamfered carton of FIG. 1;

FIG. 4 is a bottom plan view of the chamfered carton of FIG. 1;

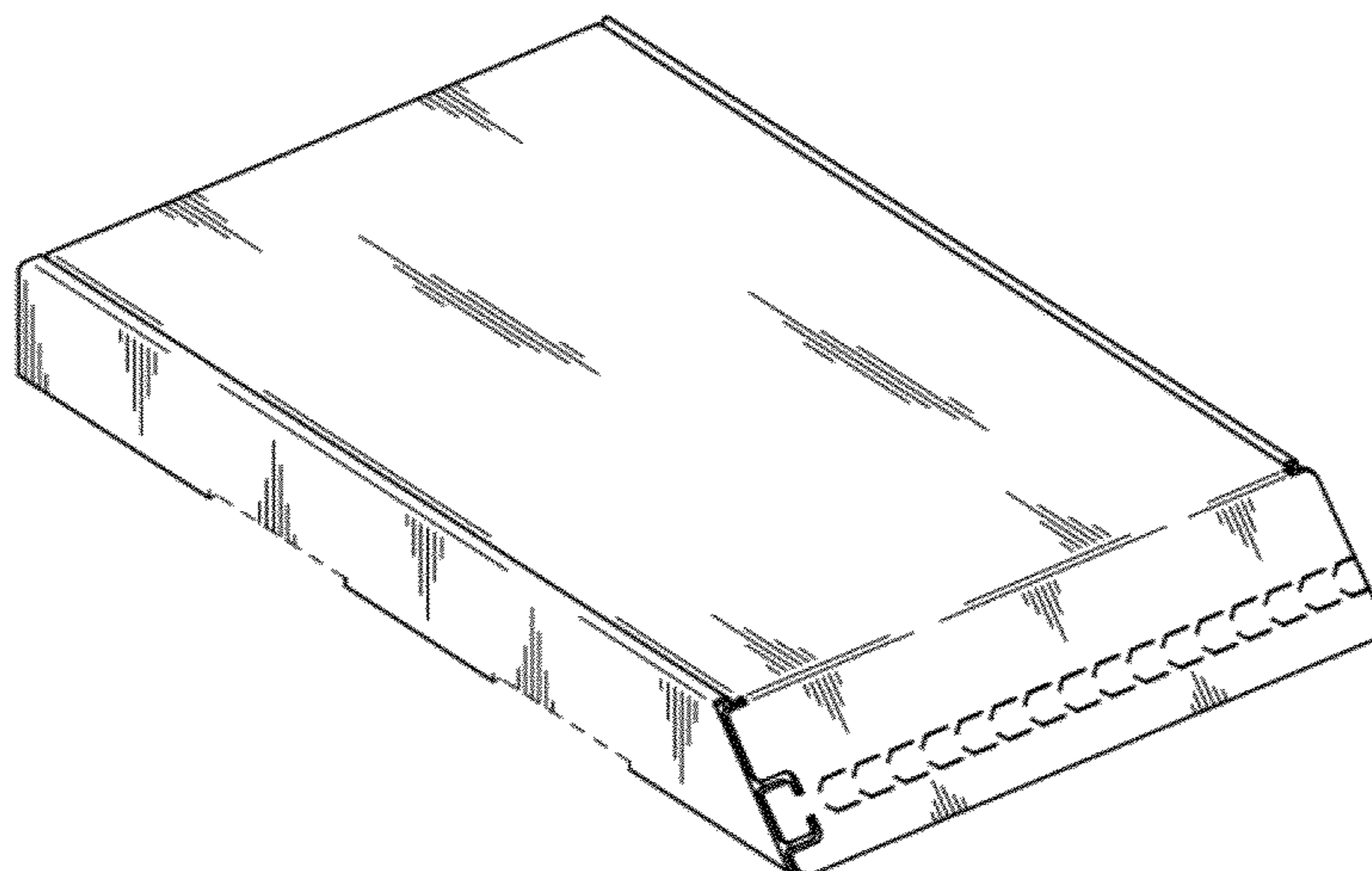
FIG. 5 is a front elevation view of the chamfered carton of FIG. 1;

FIG. 6 is a left side elevation view of the chamfered carton of FIG. 1; and,

FIG. 7 is a right side elevation view of the chamfered carton of FIG. 1.

The broken lines are directed to unclaimed portions and form no part of the claimed design.

1 Claim, 4 Drawing Sheets



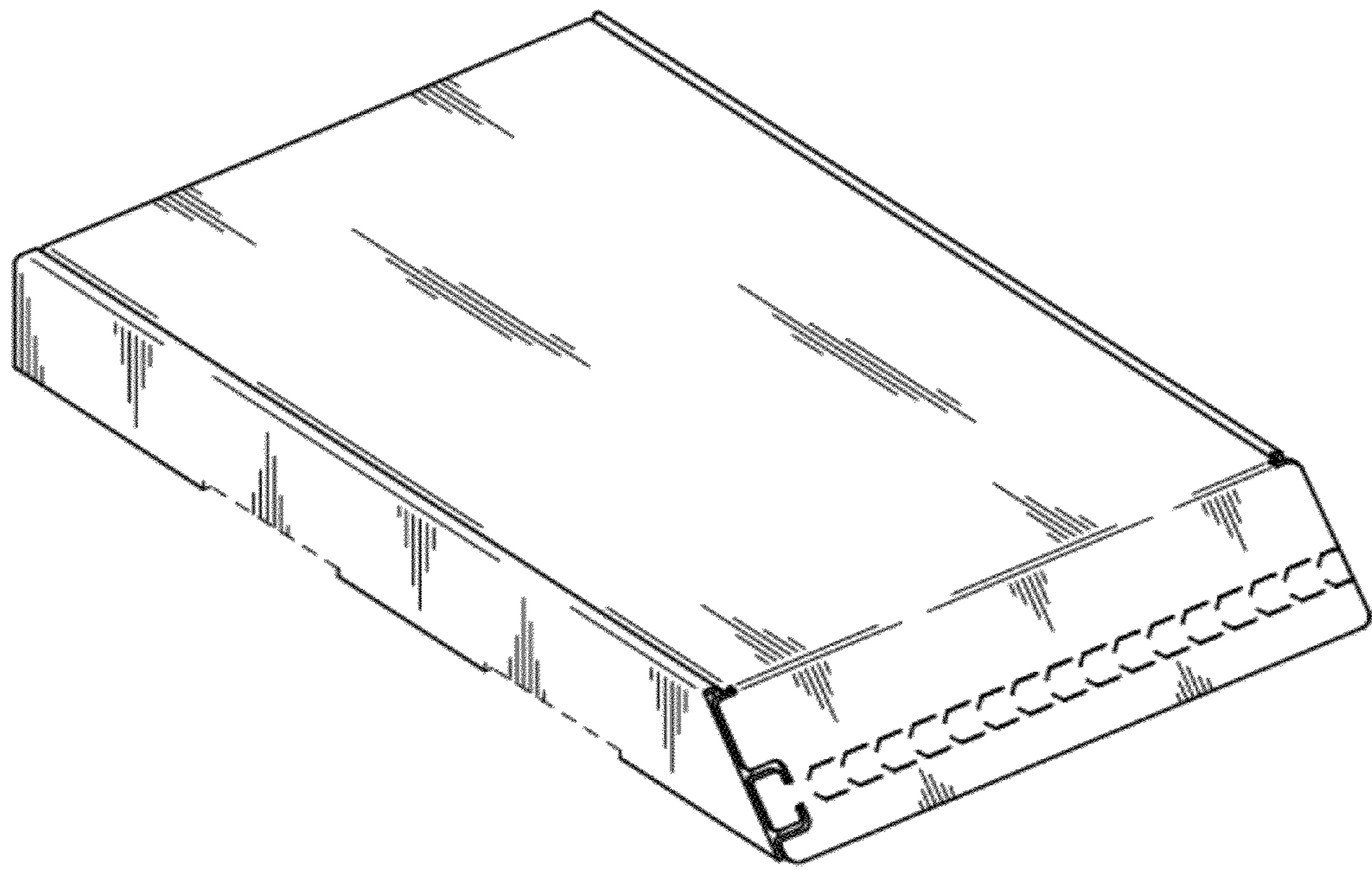


FIG. 1



FIG. 3

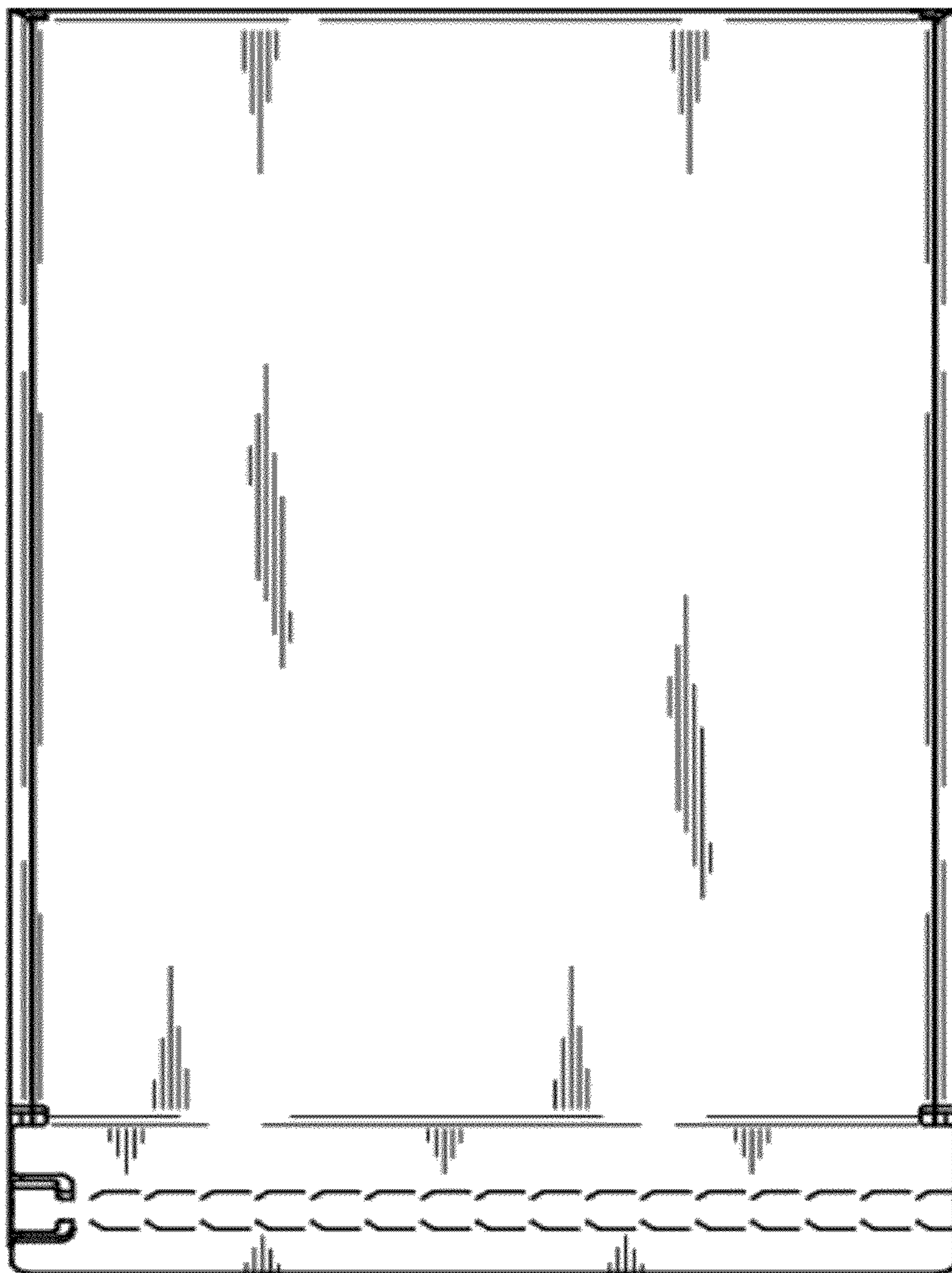


FIG. 2

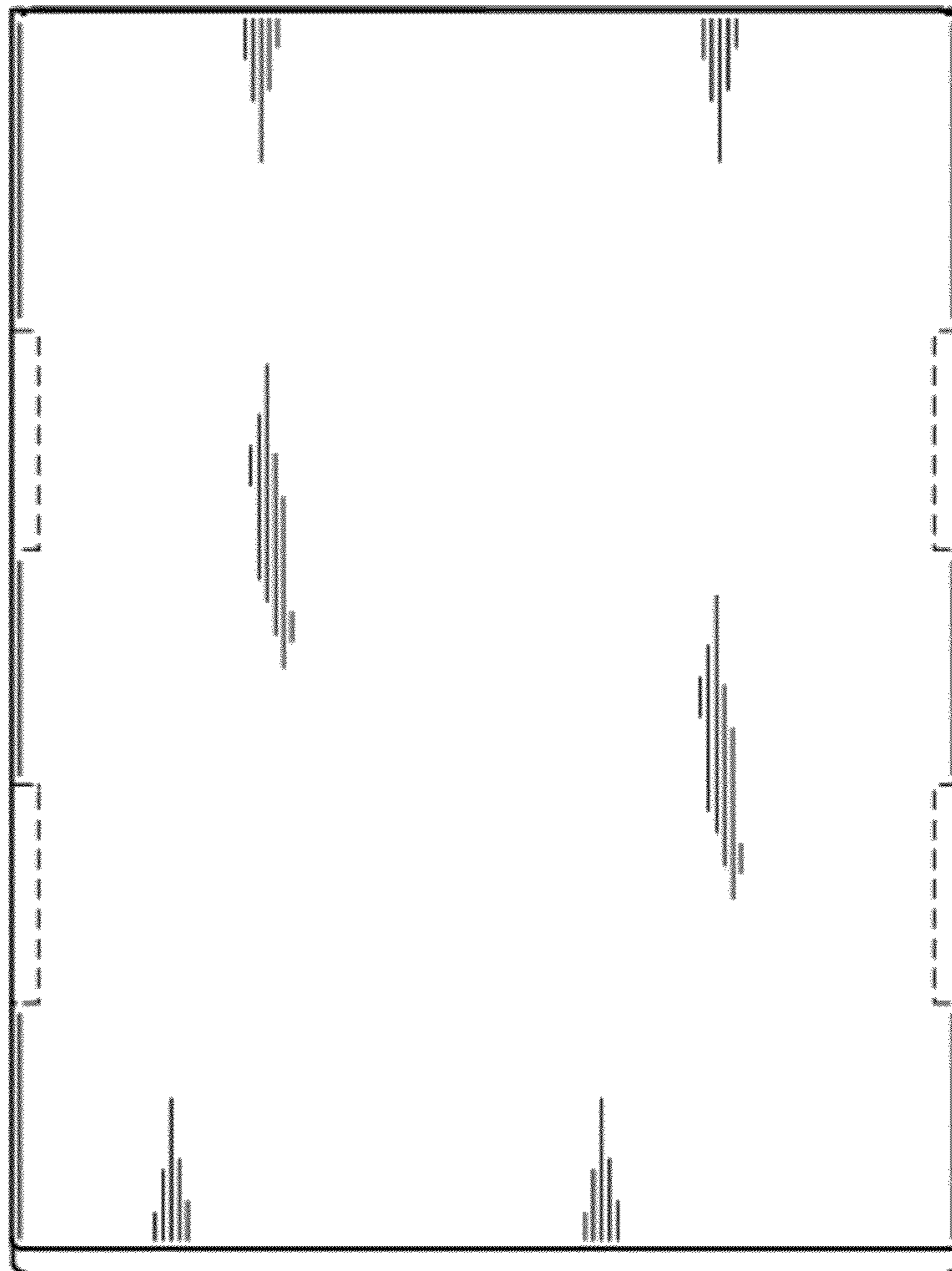


FIG. 4

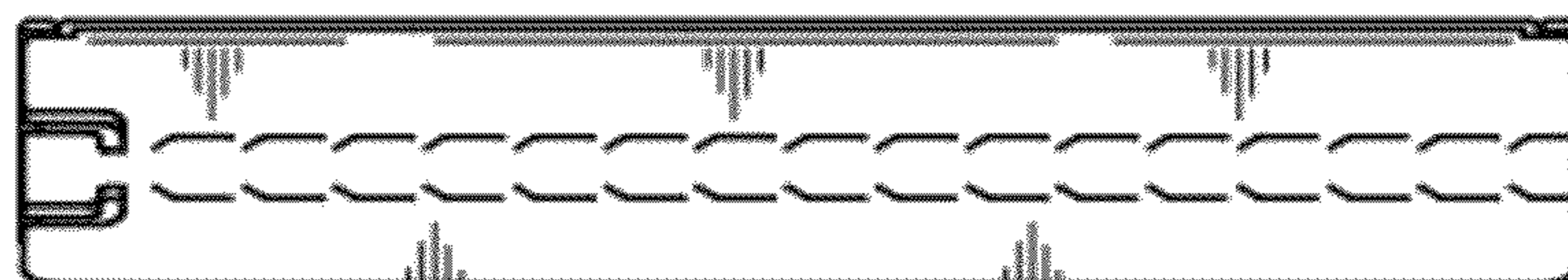


FIG. 5

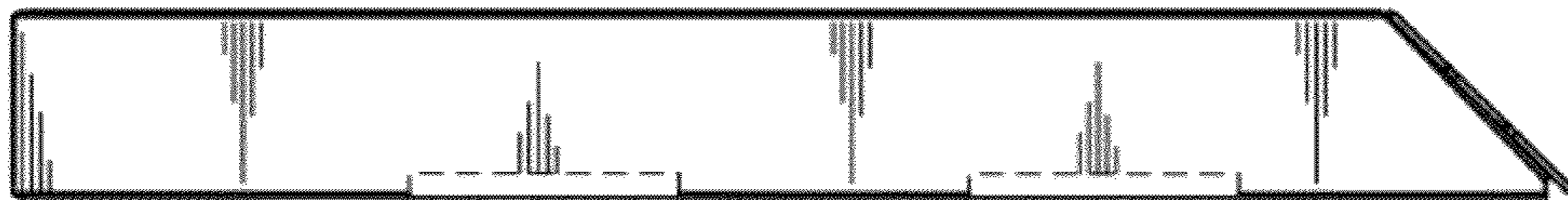


FIG. 6

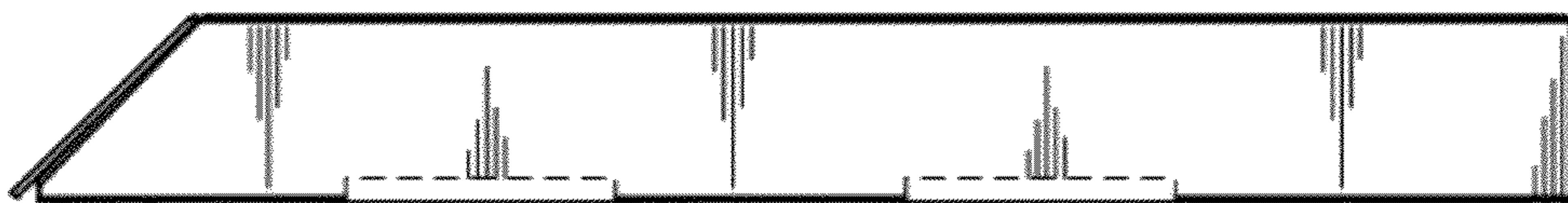


FIG. 7