



US00D678045S

(12) **United States Design Patent**
Paolini

(10) **Patent No.:** **US D678,045 S**

(45) **Date of Patent:** **** Mar. 19, 2013**

(54) **SET OF TUBULAR PROFILES CONNECTORS**

(75) Inventor: **Giorgia Paolini**, Sammamish, WA (US)

(73) Assignee: **Paolinidesign**, Sammamish, WA (US)

(**) Term: **14 Years**

(21) Appl. No.: **29/392,560**

(22) Filed: **May 24, 2011**

(51) **LOC (9) Cl.** **08-08**

(52) **U.S. Cl.** **D8/382**

(58) **Field of Classification Search** D23/262;
D6/491; D21/499, 501, 503; 403/292, 348,
403/300, 305, 186, 241, 389; 52/604, 598,
52/609, 593, 594, 608; D8/382, 349, 354
See application file for complete search history.

(56) **References Cited**

U.S. PATENT DOCUMENTS

3,554,384	A	*	1/1971	DeNatale	211/194
D264,050	S	*	4/1982	Magner	D8/382
D283,635	S	*	4/1986	Kato et al.	D21/499
D296,342	S	*	6/1988	Knudsen	D21/499
D334,815	S	*	4/1993	Bunger	D25/113
D346,627	S	*	5/1994	Bach	D21/501
D400,428	S	*	11/1998	Sabounjian	D8/382
D435,609	S	*	12/2000	Sorensen	D21/499
D480,437	S	*	10/2003	Stoneberg	D21/499
D484,780	S	*	1/2004	Barile, Sr.	D8/382

D490,483	S	*	5/2004	Auberger	D21/499
D522,348	S	*	6/2006	Hansen	D8/354
D531,514	S	*	11/2006	Harris	D9/560
D559,665	S	*	1/2008	Terada et al.	D8/382
D576,025	S	*	9/2008	Mazzocco	D8/382
D581,986	S	*	12/2008	Evitt	D20/43
D599,649	S	*	9/2009	Wakasugi et al.	D8/382
D614,248	S	*	4/2010	Pedersen	D21/499
D616,044	S	*	5/2010	Tervo	D21/499
D617,179	S	*	6/2010	VanElverdinghe	D8/382

* cited by examiner

Primary Examiner — Sheryl Lane

(57) **CLAIM**

The ornamental design for the set of tubular profiles connectors, as shown.

DESCRIPTION

FIG. 1 is a front elevational view of the set of profiles connectors: the 3 way connector, the 4 way connector and 5 way connector, showing my new design;
FIG. 2 is a rear elevational view thereof;
FIG. 3 is a right side elevational view thereof;
FIG. 4 is a left side elevational view thereof;
FIG. 5 is a top plan view thereof;
FIG. 6 is a bottom plan view thereof; and,
FIG. 7 is a perspective view thereof.
The claimed set of tubular profiles connectors can be used with tubular profiles of any size or section, to connect them together using screws.

1 Claim, 2 Drawing Sheets

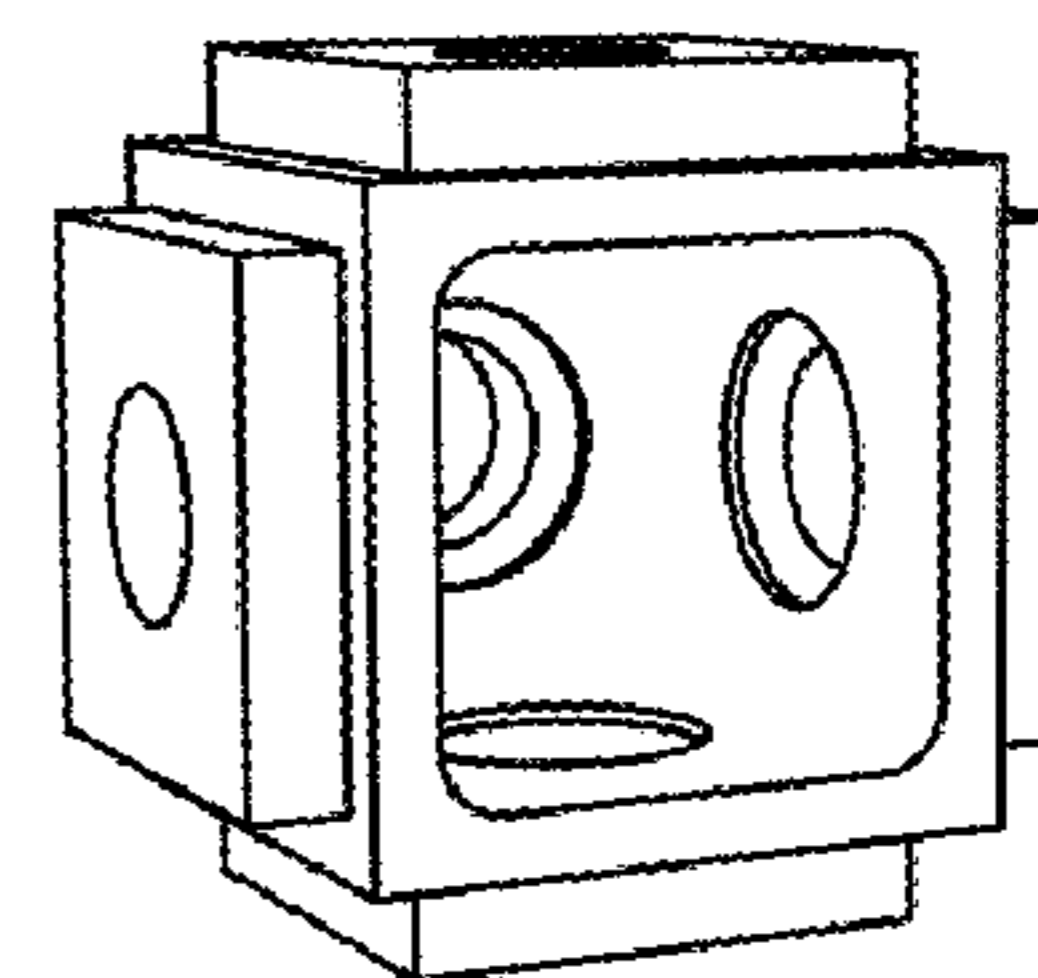
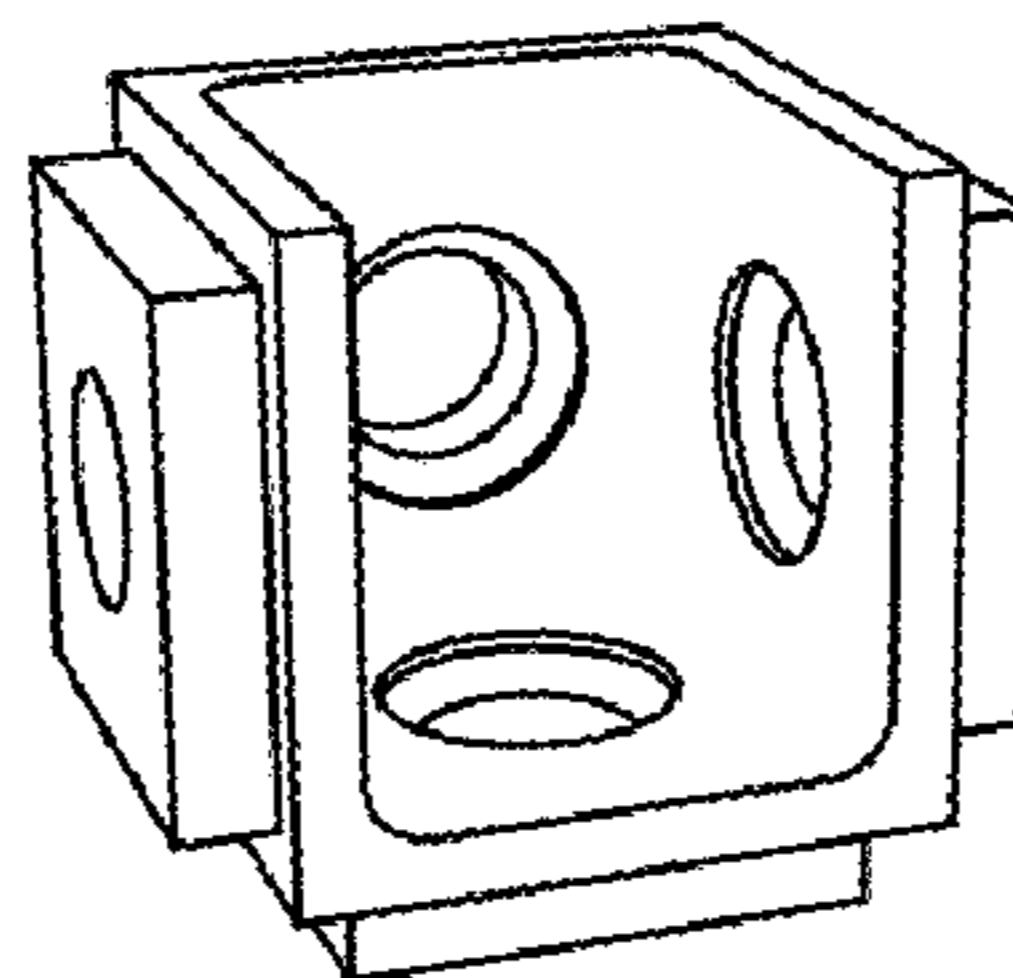
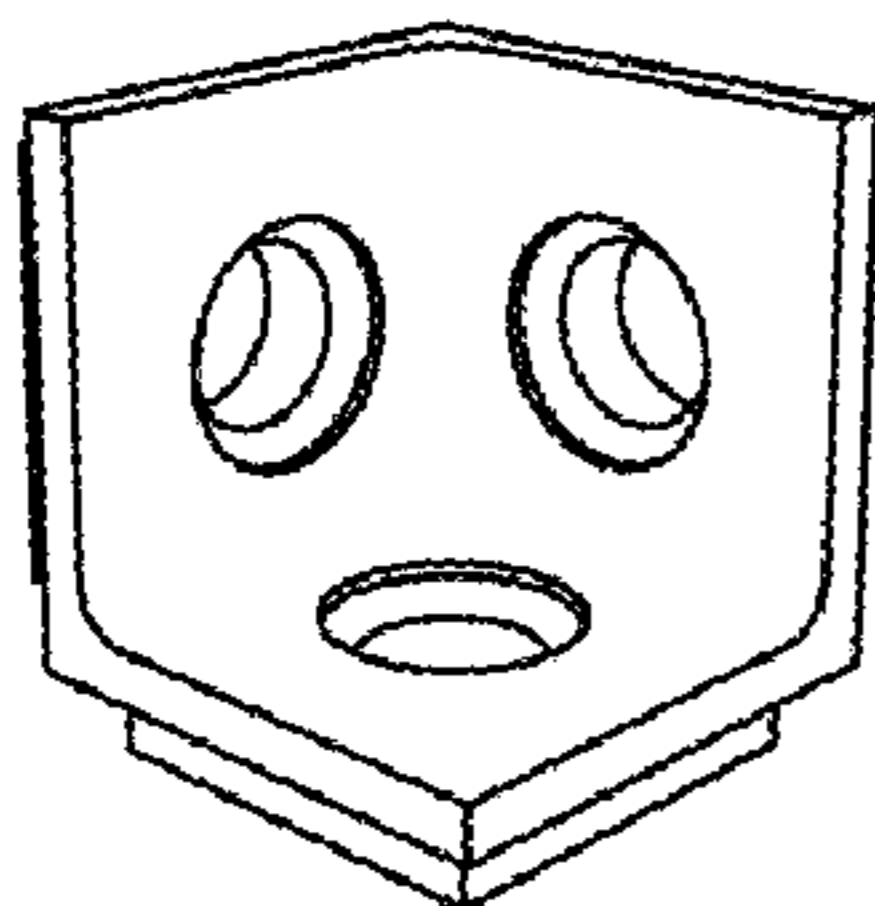
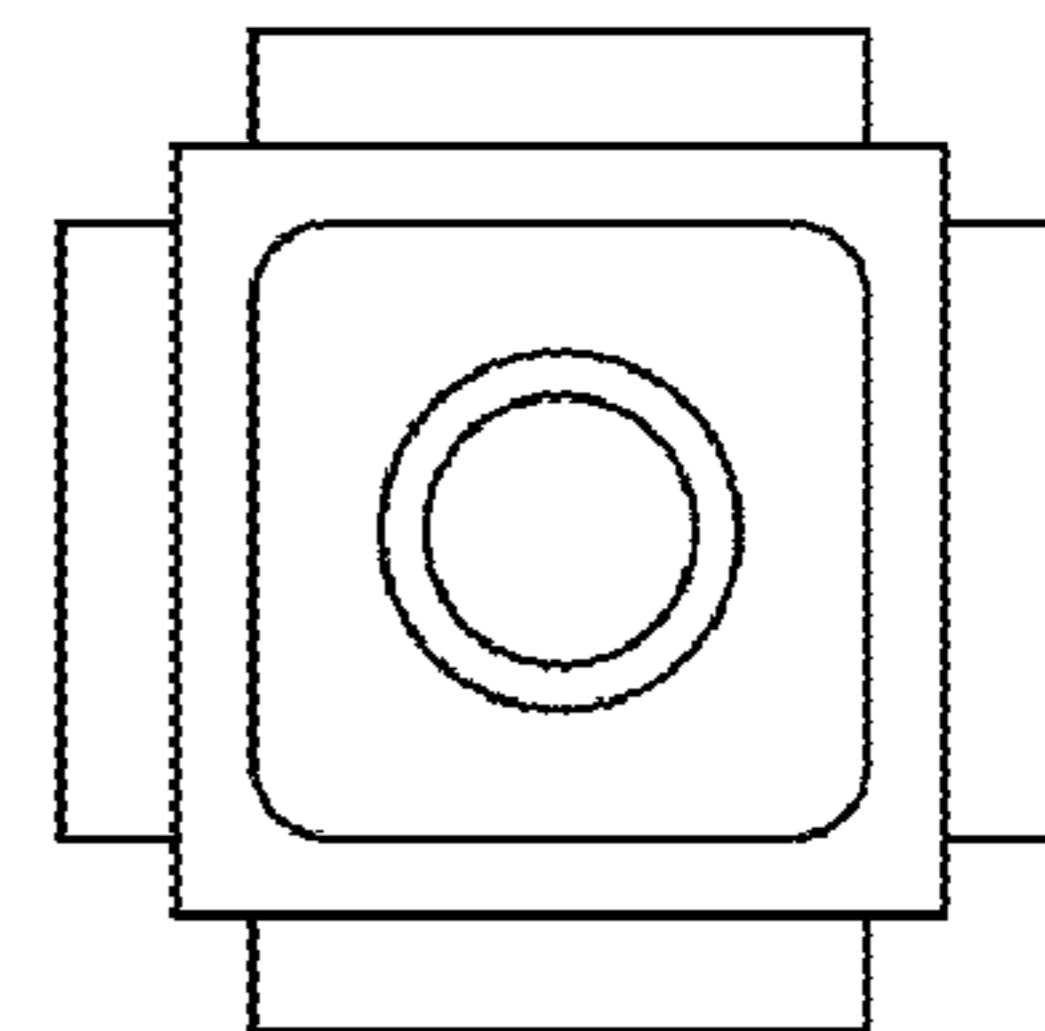
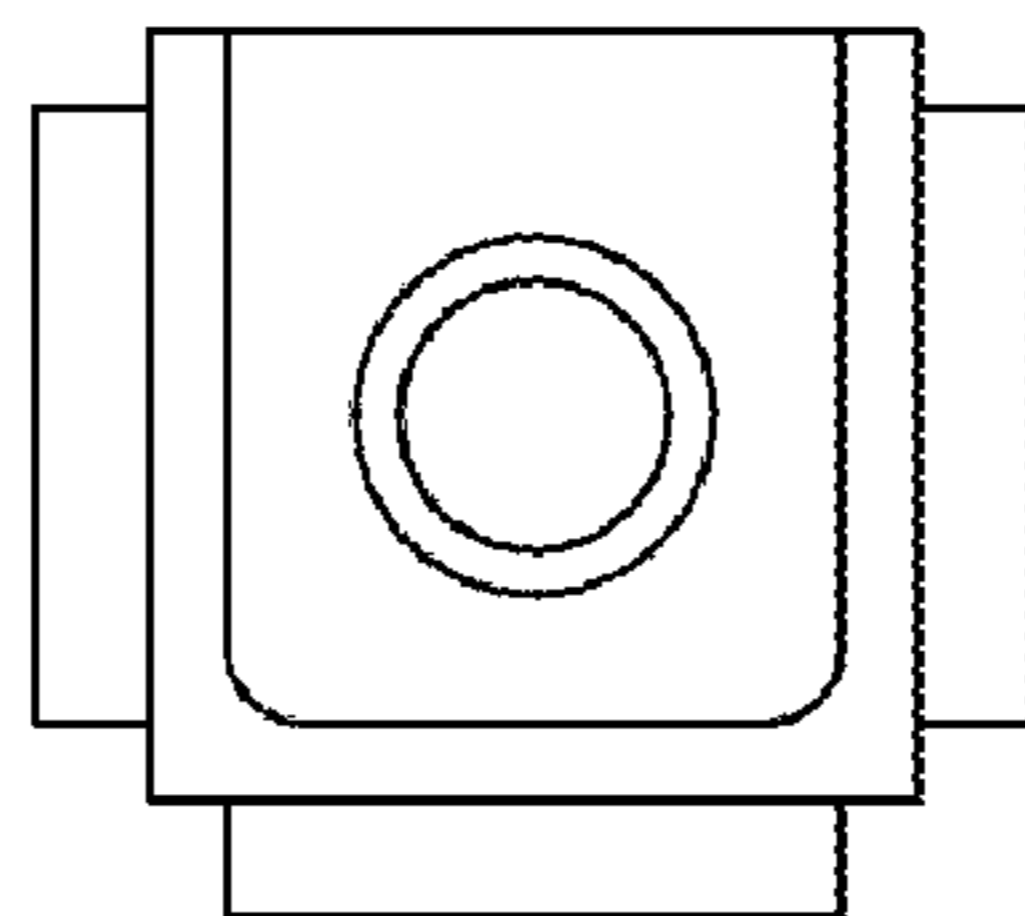
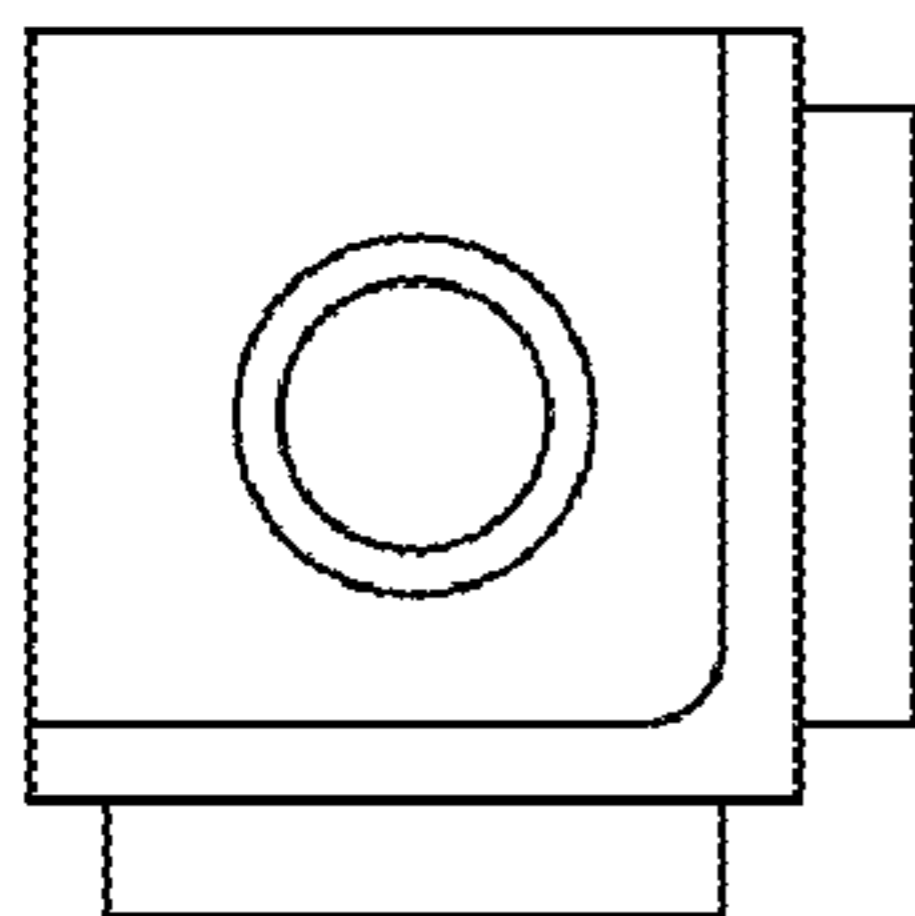


Fig.1

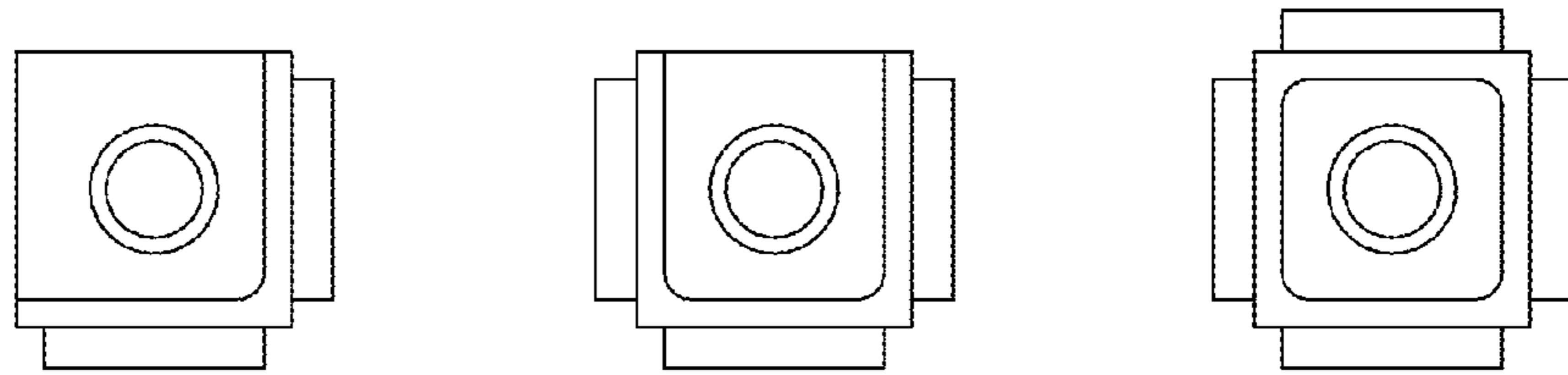


Fig.2

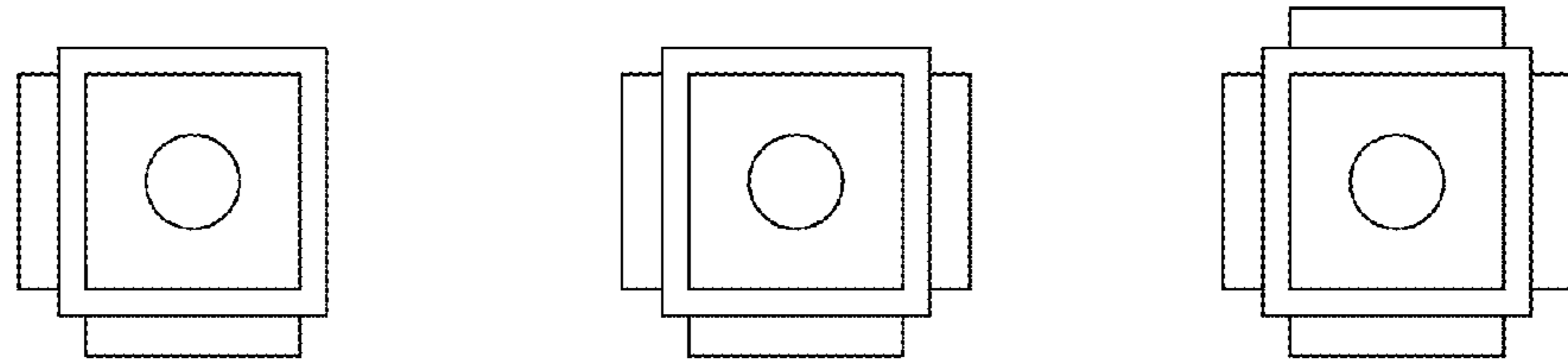


Fig.3

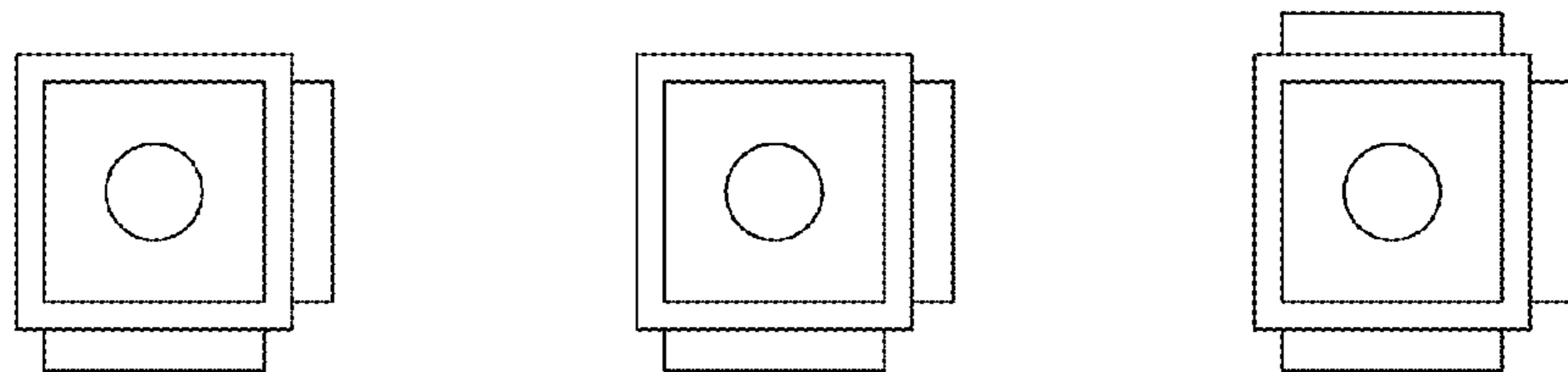


Fig.4

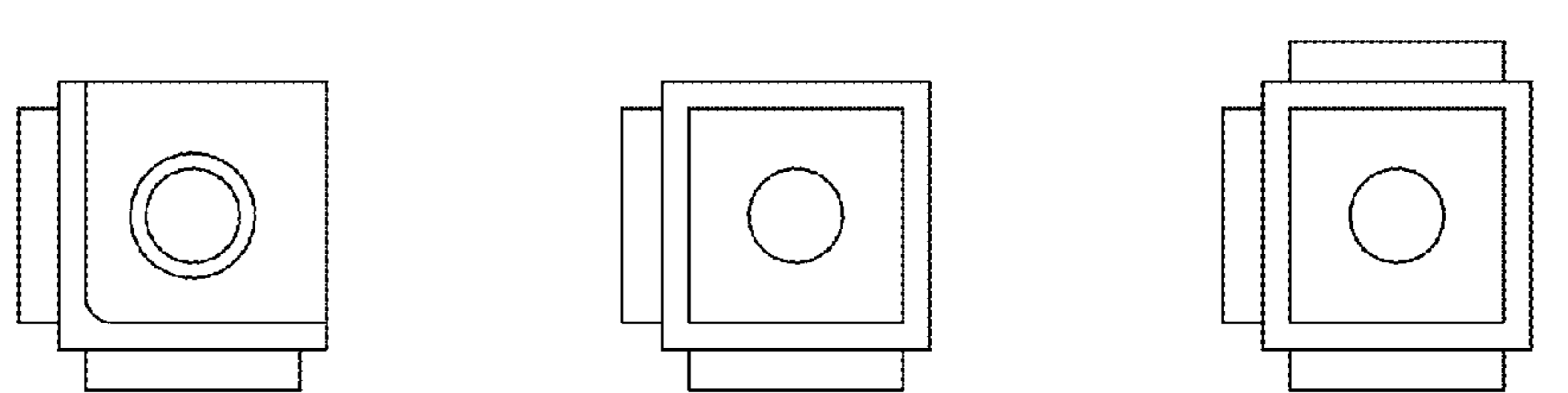


Fig.5

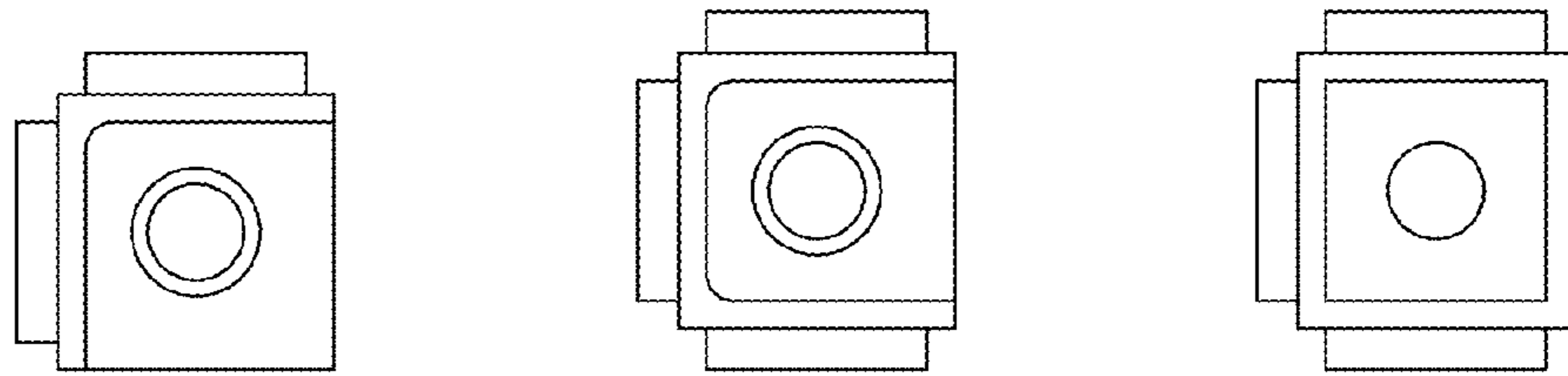


Fig.6

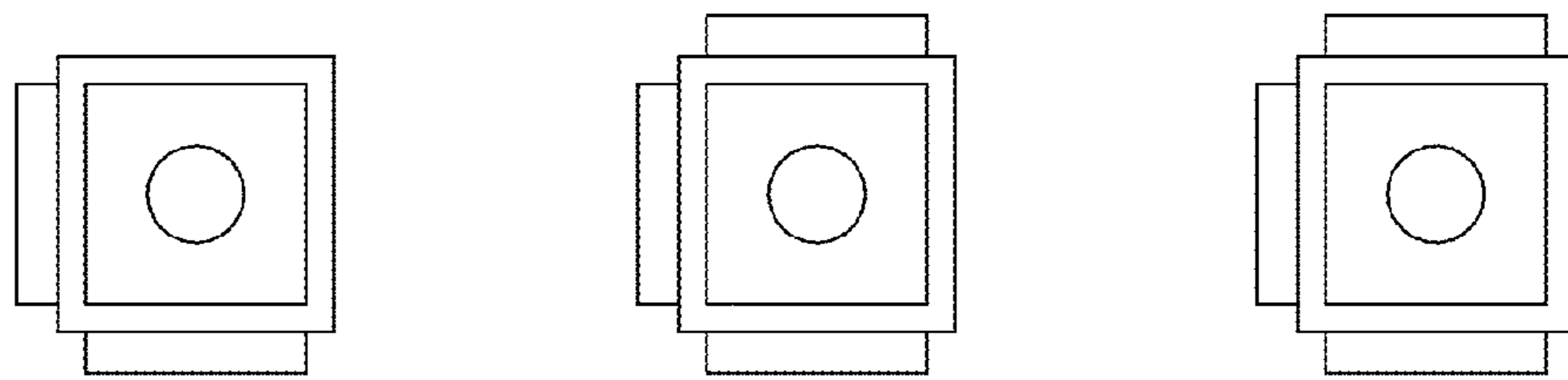


Fig.7

