



US00D678040S

(12) **United States Design Patent**  
**Shikama et al.**

(10) **Patent No.:** **US D678,040 S**

(45) **Date of Patent:** **\*\* Mar. 19, 2013**

(54) **GUIDE ROLLER**

(75) Inventors: **Yoshitaka Shikama**, Kanagawa (JP);  
**Koji Honda**, Kanagawa (JP)

(73) Assignee: **Miki Pulley Co., Ltd.**, Kanagawa (JP)

(\*\*) Term: **14 Years**

(21) Appl. No.: **29/400,449**

(22) Filed: **Aug. 29, 2011**

(30) **Foreign Application Priority Data**

Jul. 7, 2011 (JP) ..... 2011-015608

(51) **LOC (9) Cl.** ..... **08-05**

(52) **U.S. Cl.** ..... **D8/360**

(58) **Field of Classification Search** ..... D8/356,  
D8/354, 349, 360, 355, 361, 362, 366, 367,  
D8/380, 373, 377, 395; 411/431, 372.5;  
248/304, 305, 339, 217.2, 493, 49; 24/698;  
294/16; 138/106; D23/200, 262; 474/166,  
474/168, 177, 169, 181, 902; 29/892.11,  
29/825, 892, 892.1; 403/202

See application file for complete search history.

(56) **References Cited**

**U.S. PATENT DOCUMENTS**

2,616,646	A	*	11/1952	Matthysse	.....	248/65
D208,428	S	*	8/1967	Holliday	.....	D8/397
3,962,926	A	*	6/1976	Kotlar	.....	474/169
4,050,321	A	*	9/1977	Kraft	.....	474/170
4,928,349	A	*	5/1990	Oikawa et al.	.....	174/153 G
D313,932	S	*	1/1991	Kanemitsu	.....	D8/360
D332,910	S	*	2/1993	Kanemitsu et al.	.....	D8/360

D360,820	S	*	8/1995	Haase	.....	D8/356
D489,962	S	*	5/2004	Hodjat et al.	.....	D8/360
D493,697	S	*	8/2004	Kay	.....	D8/360
D506,019	S	*	6/2005	Chen	.....	D26/67
D533,204	S	*	12/2006	Kinoshita	.....	D15/149
D556,101	S	*	11/2007	Hurlbutt	.....	D12/180
D579,761	S	*	11/2008	Tooman	.....	D8/356
7,793,390	B2	*	9/2010	Mills et al.	.....	24/129 R
D643,702	S	*	8/2011	Kanemitsu et al.	.....	D8/360
D645,334	S	*	9/2011	Kanemitsu et al.	.....	D8/360

\* cited by examiner

*Primary Examiner* — Cynthia Underwood

(74) *Attorney, Agent, or Firm* — Marshall & Melhorn, LLC

(57) **CLAIM**

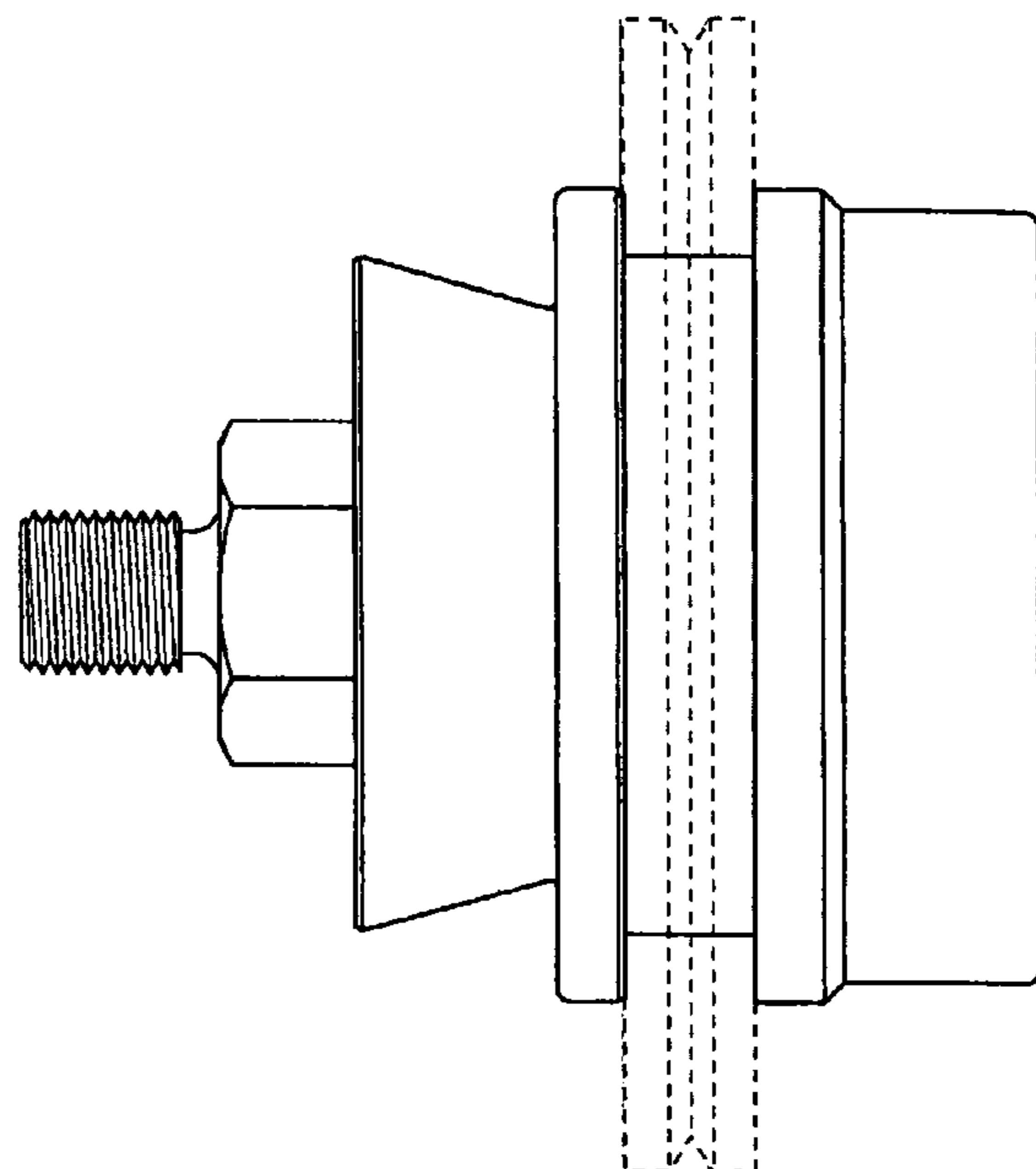
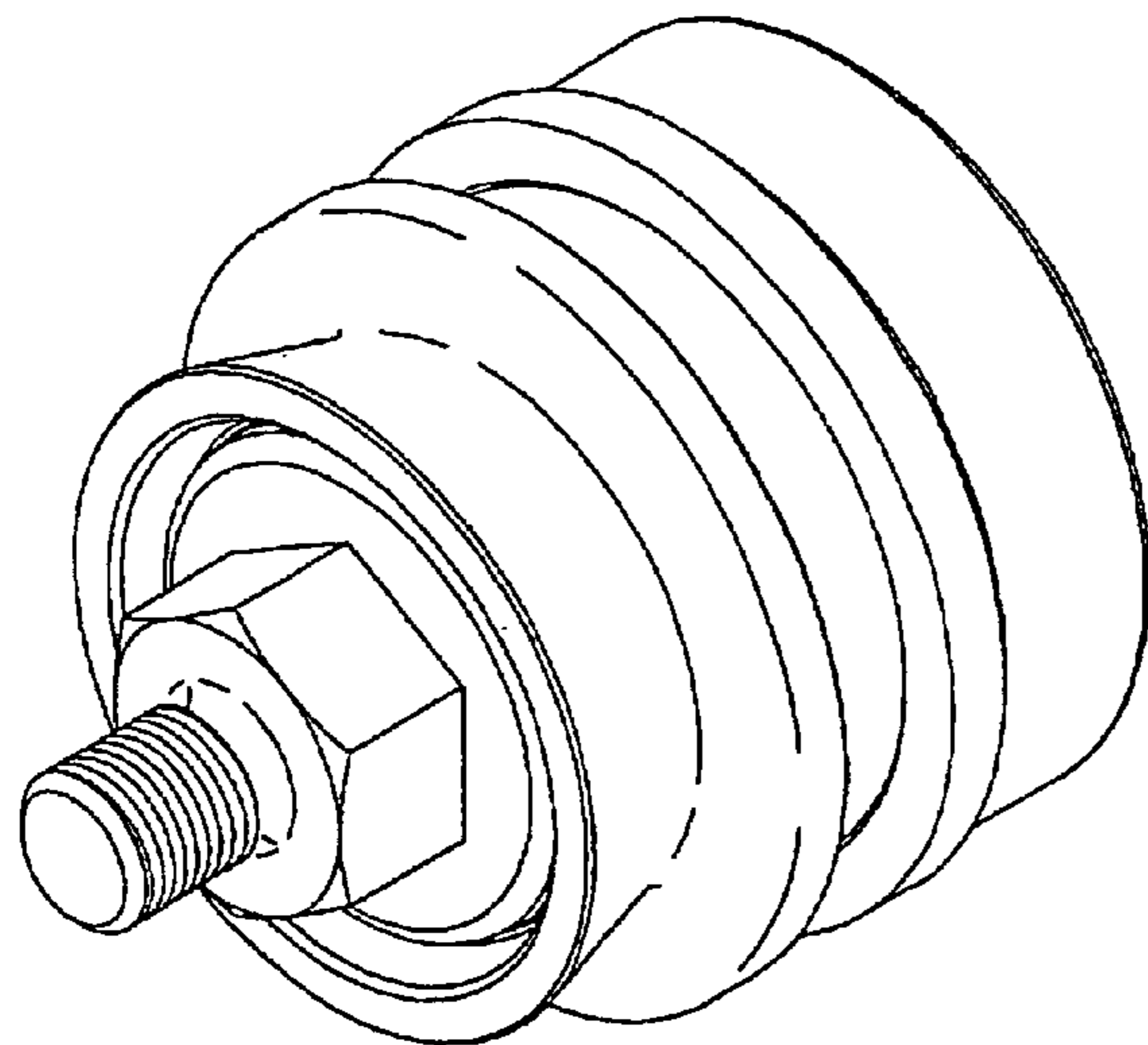
The ornamental design for a guide roller, as shown and described.

**DESCRIPTION**

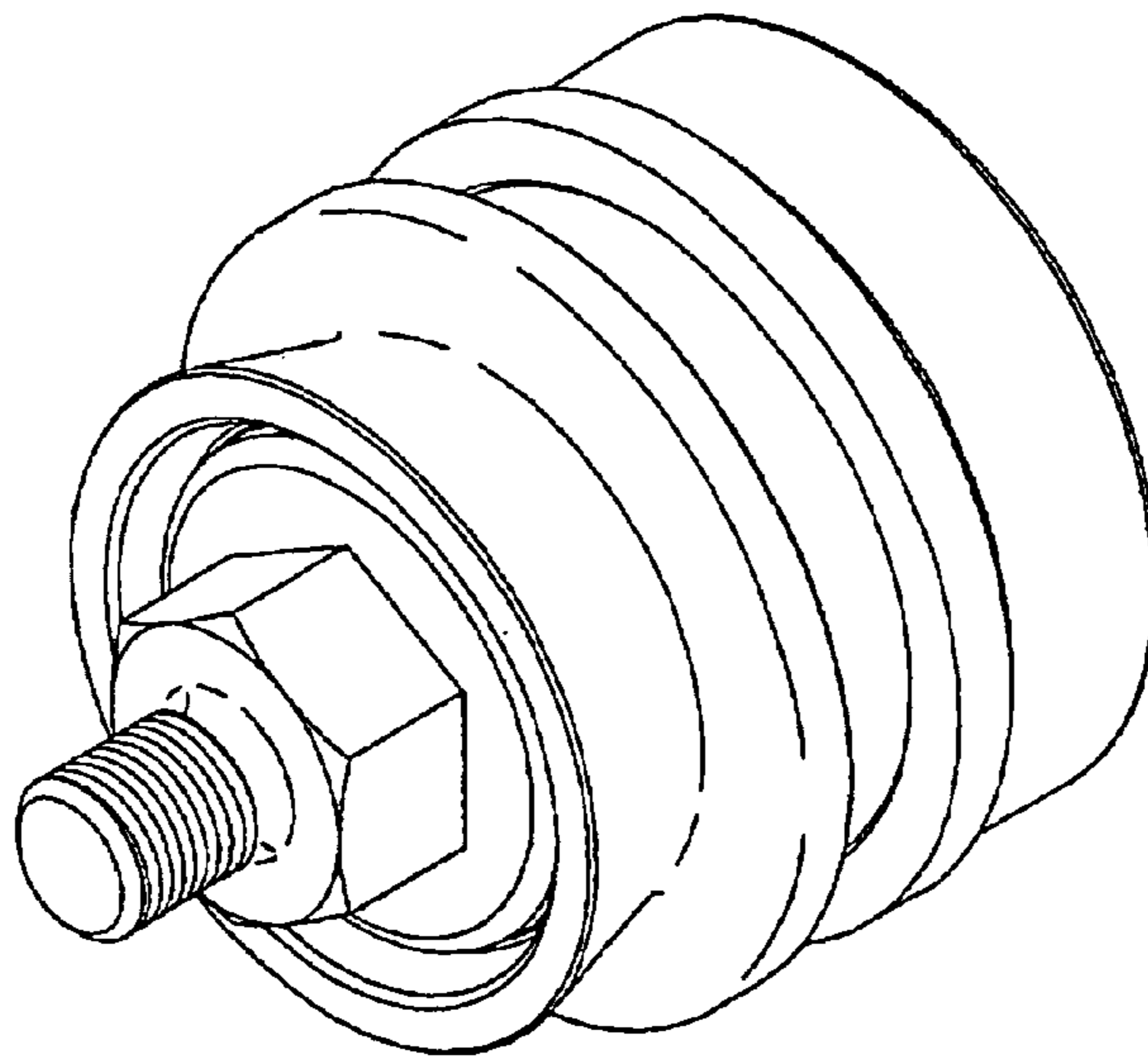
FIG. 1 is a perspective view of a guide roller;  
 FIG. 2 is a front view thereof;  
 FIG. 3 is a right side view thereof;  
 FIG. 4 is a top view thereof;  
 FIG. 5 is a back view thereof; and,  
 FIG. 6 is a right side view showing the guide roller in use with a pulley, the broken lines forming no part of the claim.

The subject article is a guide roller which can be used for rotatably supporting a pulley for guiding cutting wire or the like. The guide roller comprises a housing including bearings and a central shaft partly inserted into the housing. A pulley is mounted on the outer periphery of the housing which rotates around the central shaft. A left side view of the guide roller is a mirror image of the right side view thereof. A bottom view of the guide roller is a mirror image of the top view thereof.

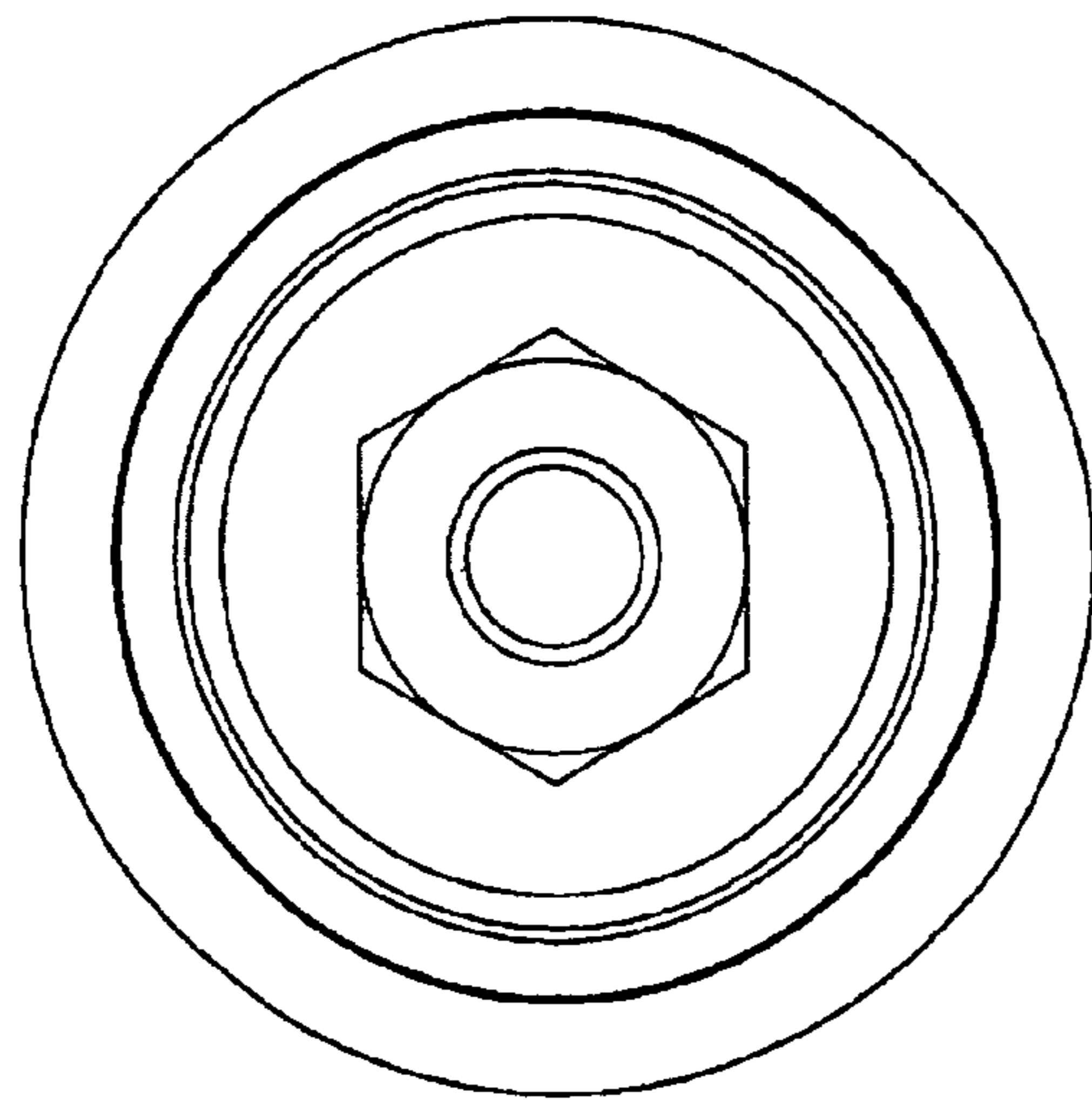
**1 Claim, 6 Drawing Sheets**



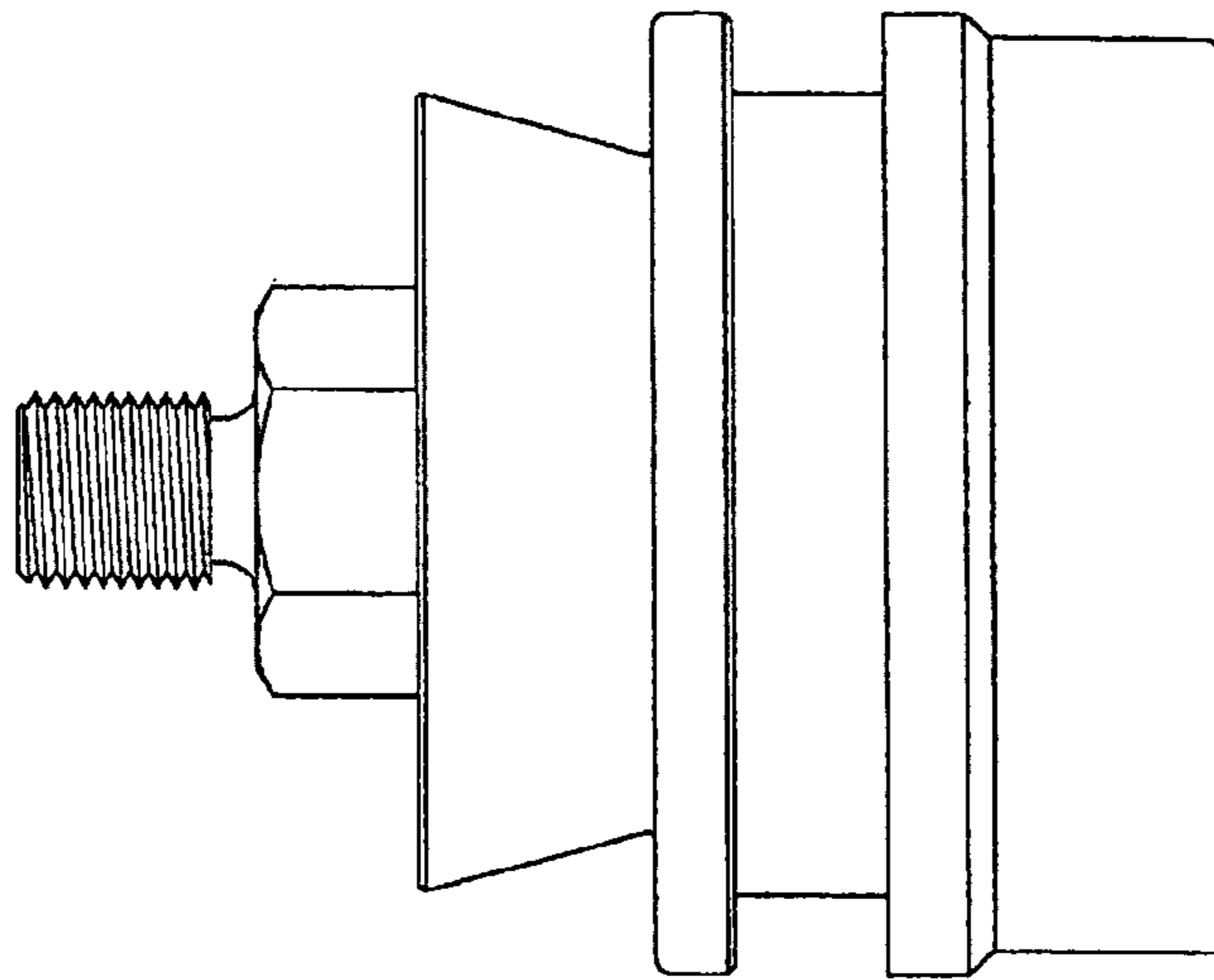
*Fig.1*



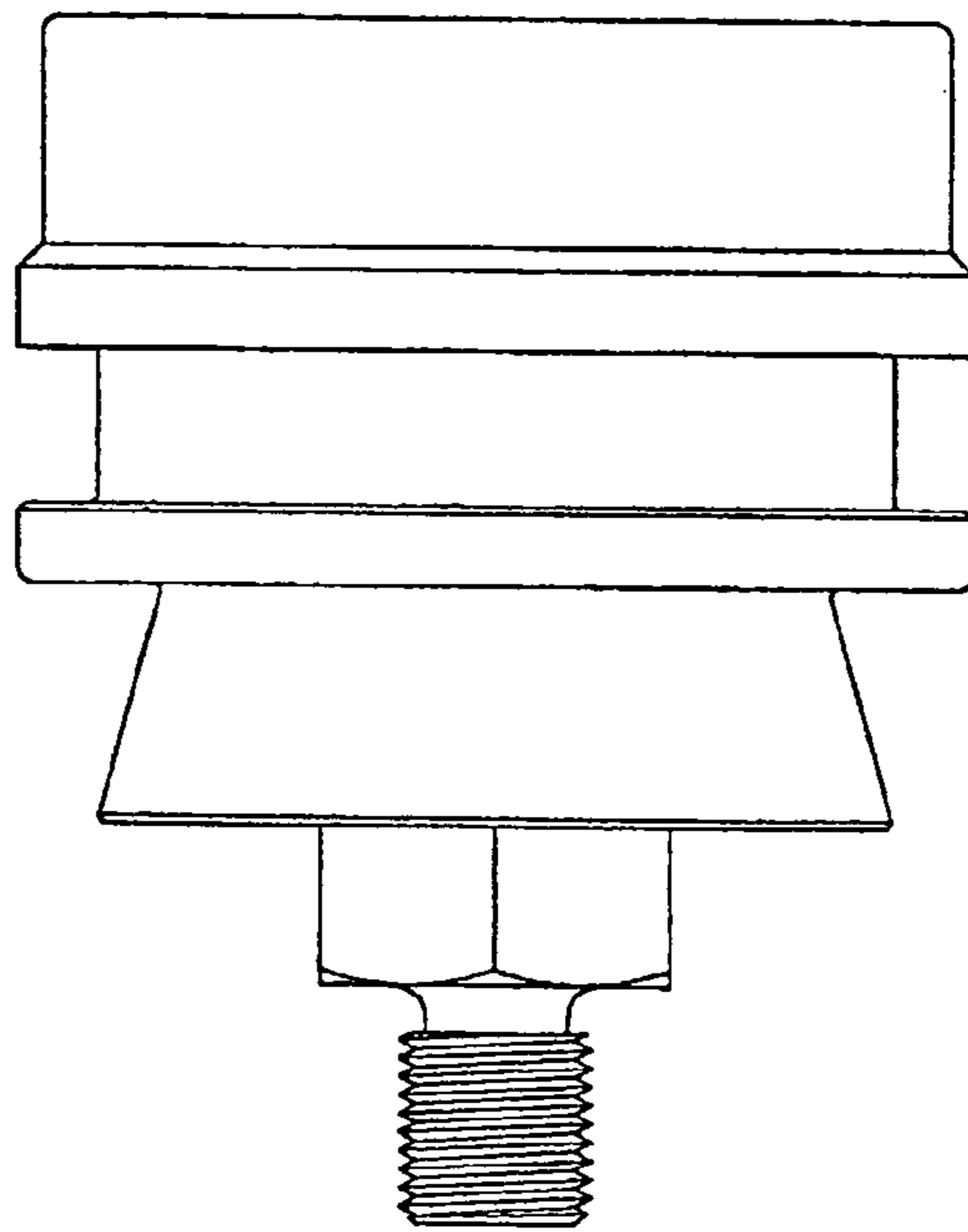
*Fig.2*



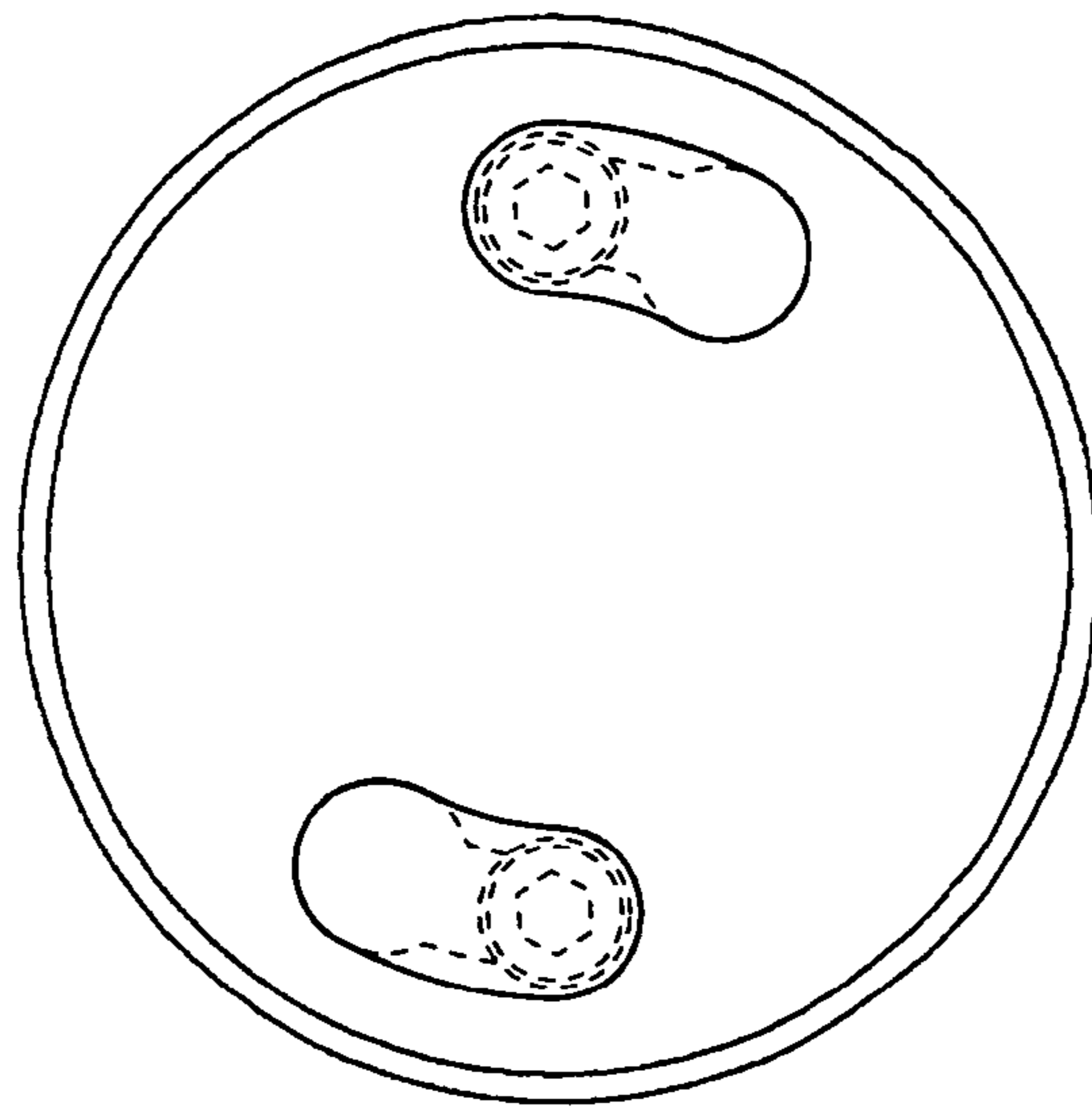
**Fig.3**



*Fig.4*



**Fig.5**



*Fig.6*

