



US00D678039S

(12) **United States Design Patent**
Psaila

(10) **Patent No.:** **US D678,039 S**
(45) **Date of Patent:** **** Mar. 19, 2013**

(54) **TILE SPACER**

(76) Inventor: **Anthony Psaila**, Airport West (AU)

(**) Term: **14 Years**

(21) Appl. No.: **29/401,035**

(22) Filed: **Sep. 6, 2011**

(30) **Foreign Application Priority Data**

Mar. 7, 2011 (AU) 10912/2011

(51) **LOC (9) Cl.** **08-05**

(52) **U.S. Cl.** **D8/354**

(58) **Field of Classification Search** D8/349,
D8/354; D10/64; 33/527, 526, 518, 567;
52/DIG. 1

See application file for complete search history.

(56) **References Cited**

U.S. PATENT DOCUMENTS

4,793,068	A *	12/1988	Golkar	33/526
4,953,786	A *	9/1990	Arsenault	238/10 B
5,288,534	A *	2/1994	Tavshanjian	428/64.1
D466,380	S *	12/2002	Dickson	D8/14
6,612,045	B2 *	9/2003	Kruskamp	33/526
D492,210	S *	6/2004	Shilo et al.	D10/64
6,769,191	B1 *	8/2004	Zusman	33/526
6,823,640	B1 *	11/2004	Pytlewski	52/677

6,874,242	B2 *	4/2005	Shilo et al.	33/526
7,257,926	B1 *	8/2007	Kirby	52/126.5
7,475,488	B2 *	1/2009	Symington	33/526
7,516,558	B2 *	4/2009	Frank et al.	33/526
7,536,802	B1 *	5/2009	Tavy et al.	33/527
7,621,100	B2 *	11/2009	Kufner et al.	52/749.11
7,650,700	B1 *	1/2010	Blankenship	33/527
7,698,831	B2 *	4/2010	Higgs et al.	33/526
7,818,923	B2 *	10/2010	Alvarez	52/105
7,941,987	B1 *	5/2011	Raim	52/747.11
8,166,726	B2 *	5/2012	Dang	52/747.11
8,205,348	B2 *	6/2012	Baros et al.	33/526
2004/0060184	A1 *	4/2004	Shilo et al.	33/526
2004/0250435	A1 *	12/2004	Fiore	33/527
2007/0011898	A1 *	1/2007	Frank et al.	33/526
2009/0126213	A1 *	5/2009	Tavy et al.	33/527

* cited by examiner

Primary Examiner — Mark Goodwin

(74) *Attorney, Agent, or Firm* — The Farrell Law Firm, P.C.

(57) **CLAIM**

The ornamental design for a tile spacer, as shown and described.

DESCRIPTION

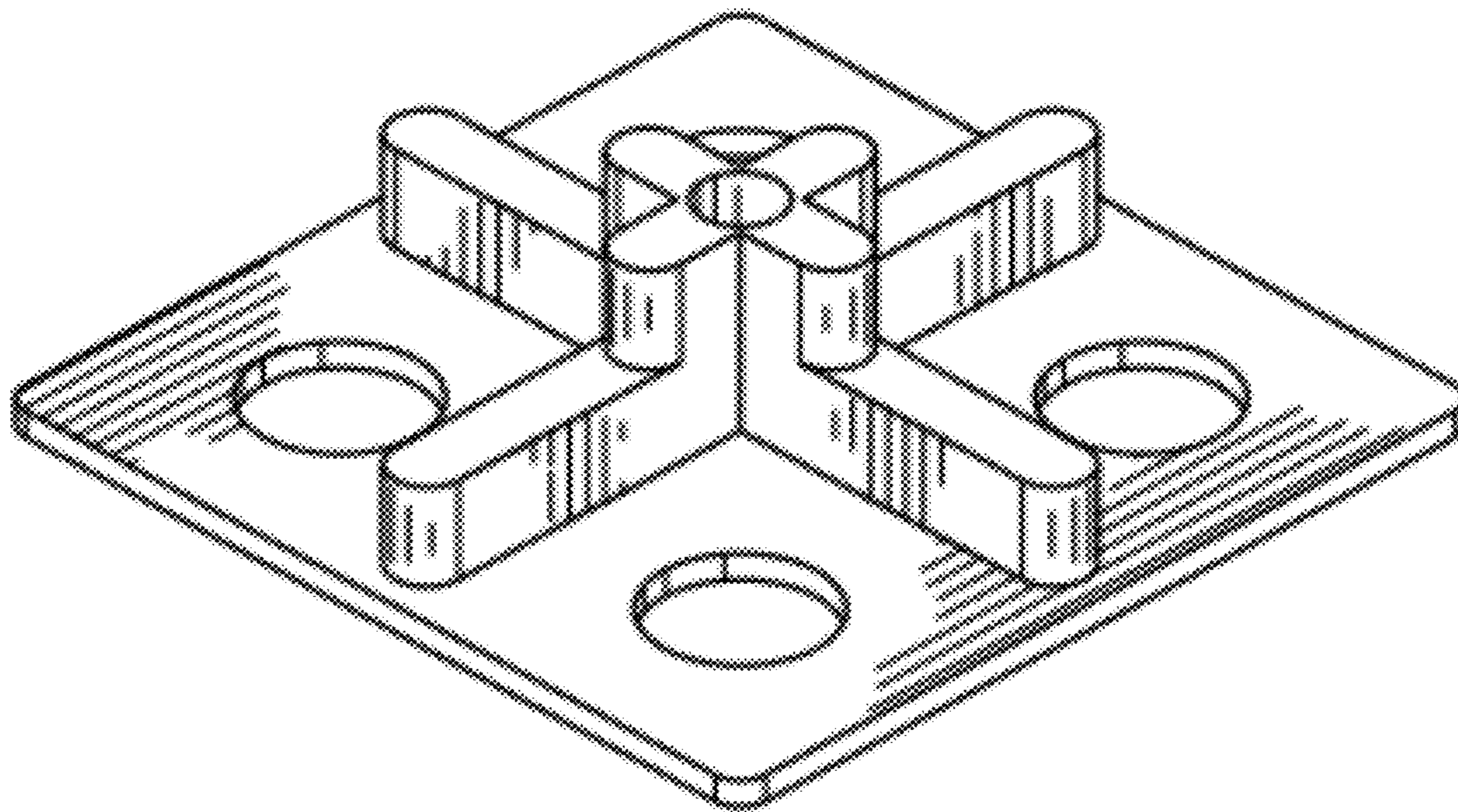
FIG. 1 is a front perspective view of a tile spacer showing my new design;

FIG. 2 is a top view of the tile spacer;

FIG. 3 is a bottom view of the tile spacer; and,

FIG. 4 is a side view of the tile spacer.

1 Claim, 4 Drawing Sheets



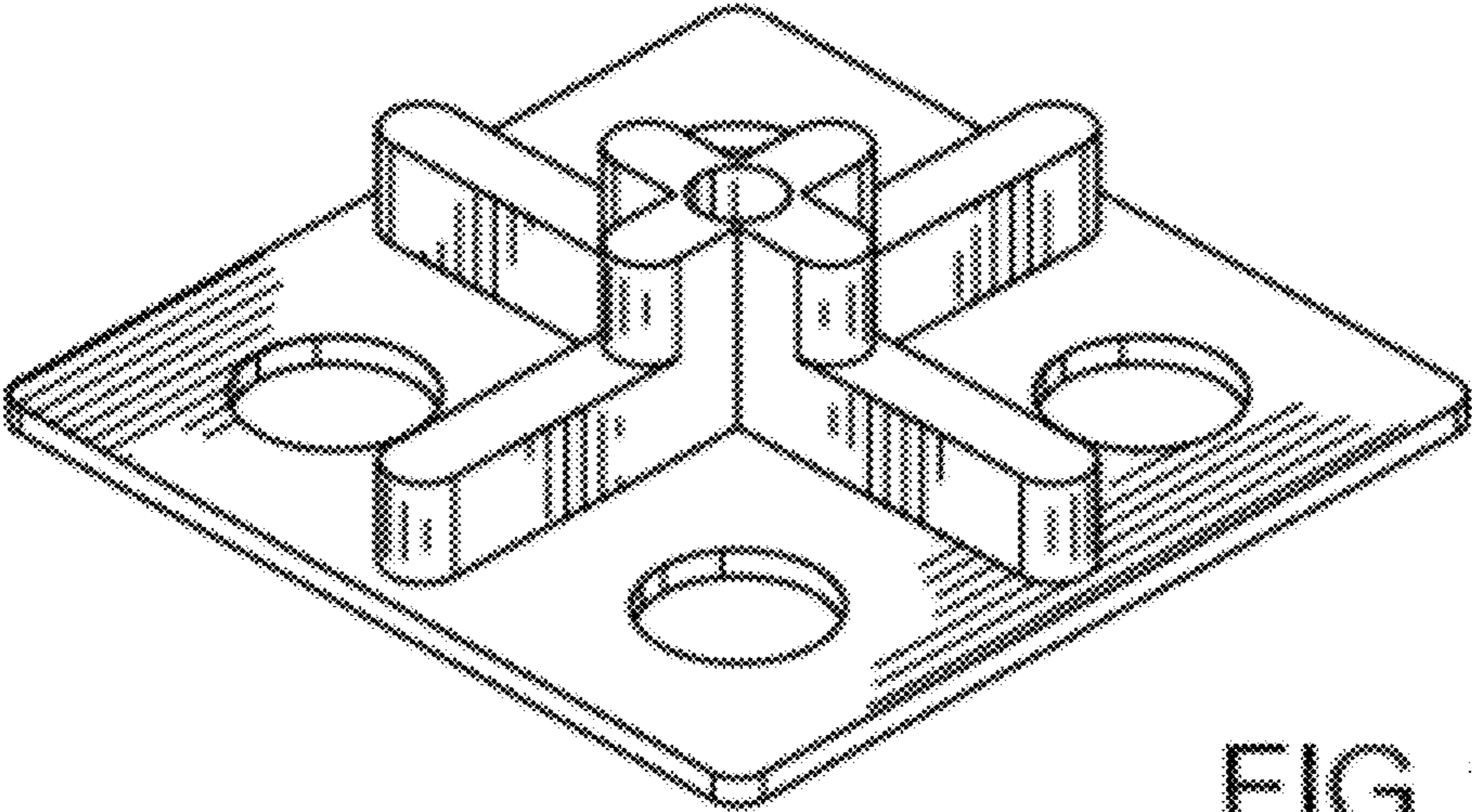


FIG 1

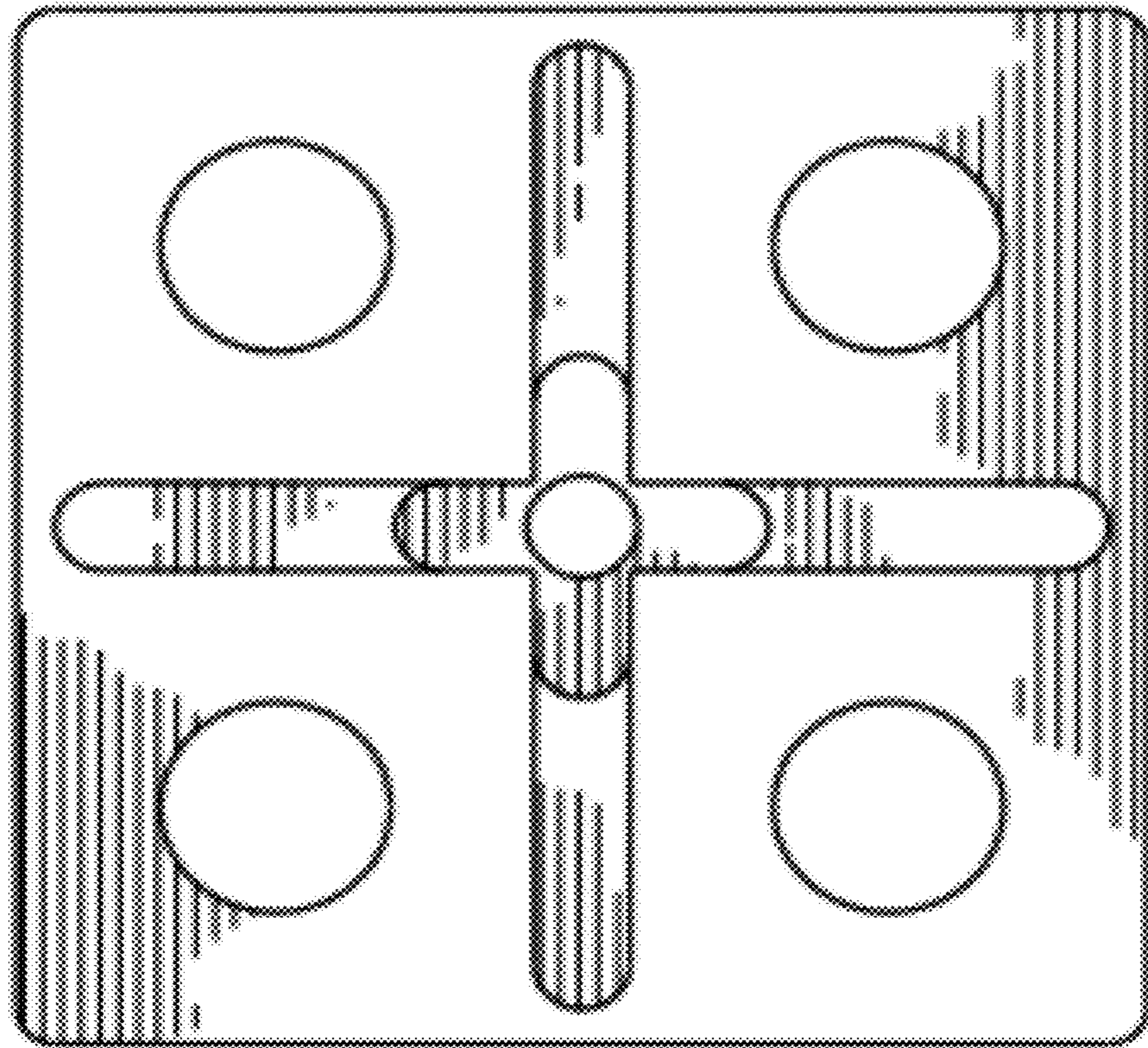


FIG 2

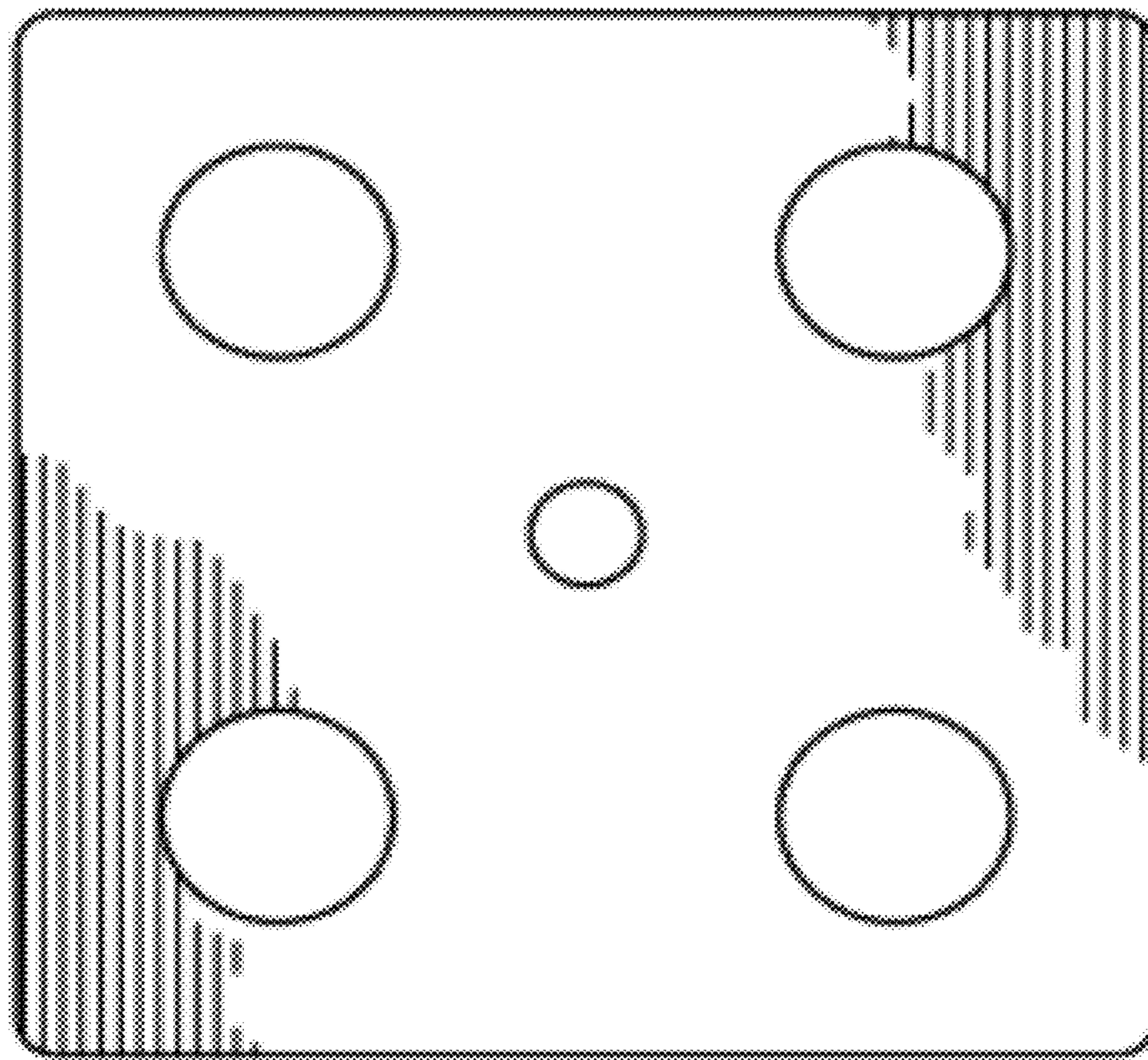


FIG 3

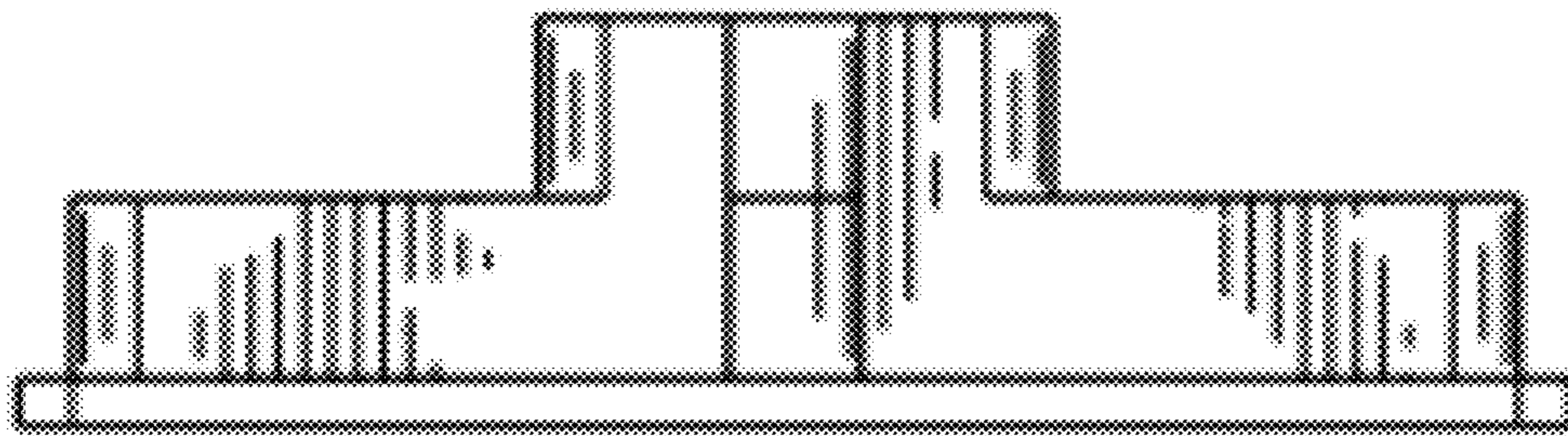


FIG 4