



US00D678036S

(12) **United States Design Patent**
Chen

(10) **Patent No.:** **US D678,036 S**
(45) **Date of Patent:** **** Mar. 19, 2013**

(54) **LOCK**

(76) Inventor: **Chung Yu Chen**, Taichung (TW)

(**) Term: **14 Years**

(21) Appl. No.: **29/408,665**

(22) Filed: **Dec. 15, 2011**

(51) **LOC (9) Cl.** **08-07**

(52) **U.S. Cl.** **D8/330; D8/343; D8/339**

(58) **Field of Classification Search** **D8/330,**
D8/331, 332, 334, 339, 343; 70/14, 20–22,
70/57, 57.1, 58, 163, 174, 179, 180, 266,
70/431, 447, 448, 449; 248/551, 553; 439/304
See application file for complete search history.

(56) **References Cited**

U.S. PATENT DOCUMENTS

D289,730	S	*	5/1987	Hsieh	D8/330
5,327,752	A	*	7/1994	Myers et al.	70/58
D360,124	S	*	7/1995	Gartner	D8/330
5,550,529	A	*	8/1996	Burge	340/5.6
D388,308	S	*	12/1997	Evans et al.	D8/330
6,463,770	B1	*	10/2002	Lee	70/58
D515,399	S	*	2/2006	Ho	D8/330
D557,105	S	*	12/2007	Lu	D8/331
7,540,177	B1	*	6/2009	Luo	70/278.1

D667,286 S * 9/2012 Wu D8/331

* cited by examiner

Primary Examiner — Prabhakar Deshmukh

(74) *Attorney, Agent, or Firm* — Ming Chow; Sinorica, LLC

(57) **CLAIM**

I claim the ornamental design for a lock, as shown and described.

DESCRIPTION

FIG. 1 is a front perspective view of a lock showing my new design;

FIG. 2 is a front elevational view thereof;

FIG. 3 is a rear elevational view thereof.

FIG. 4 is a left side elevational view thereof;

FIG. 5 is a right side elevational view thereof;

FIG. 6 is a top plan view thereof;

FIG. 7 is a bottom plan view thereof;

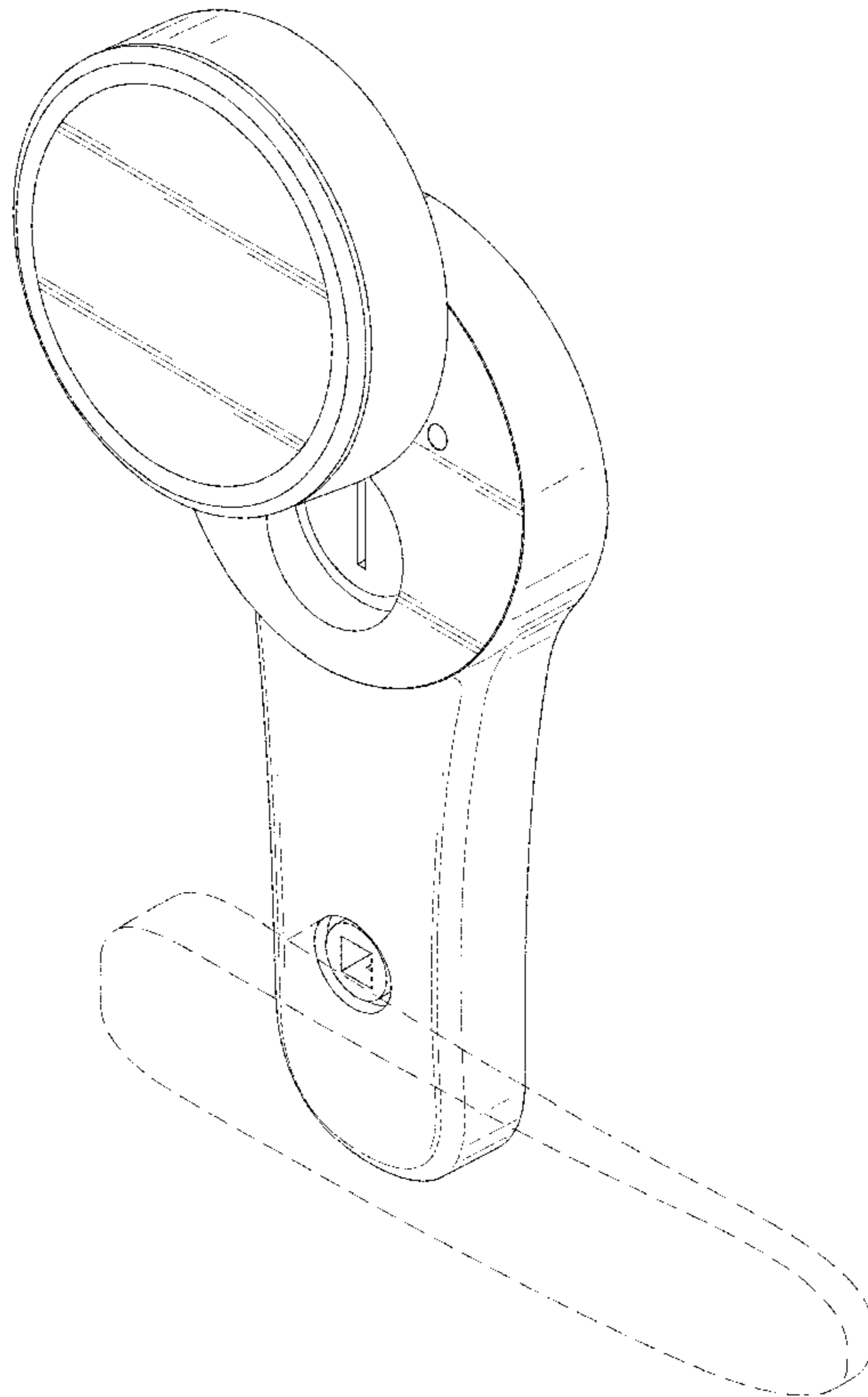
FIG. 8 is a front end view of the lock in accordance with my design, shown in its environment thereof;

FIG. 9 is a front end view of the lock in accordance with my design, shown in its environment thereof; and,

FIG. 10 is a front end view of the lock in accordance with my design, shown in its environment thereof.

The broken lines are for the purpose of illustrating environmental structure and form no part of the claimed design.

1 Claim, 9 Drawing Sheets



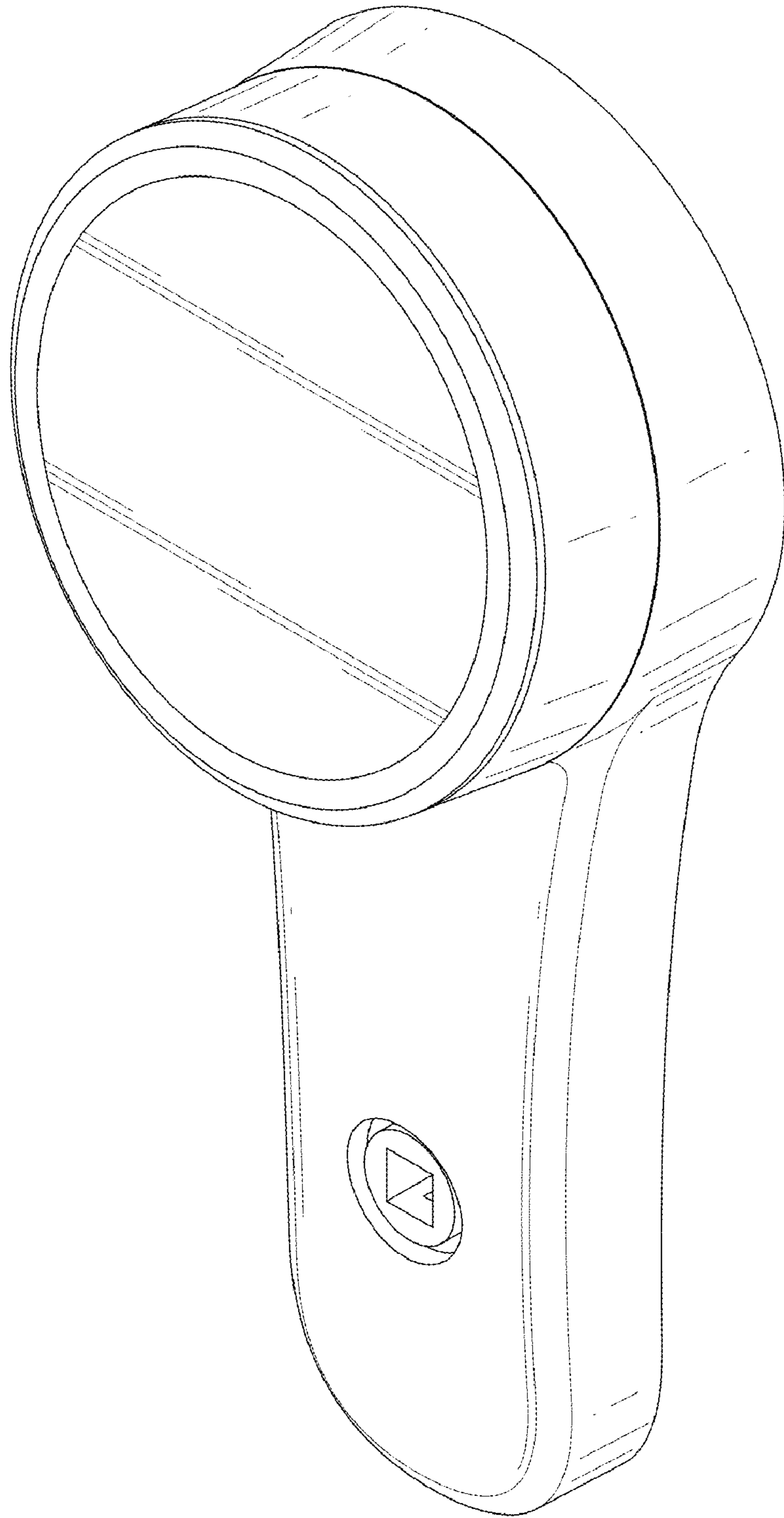


FIG. 1

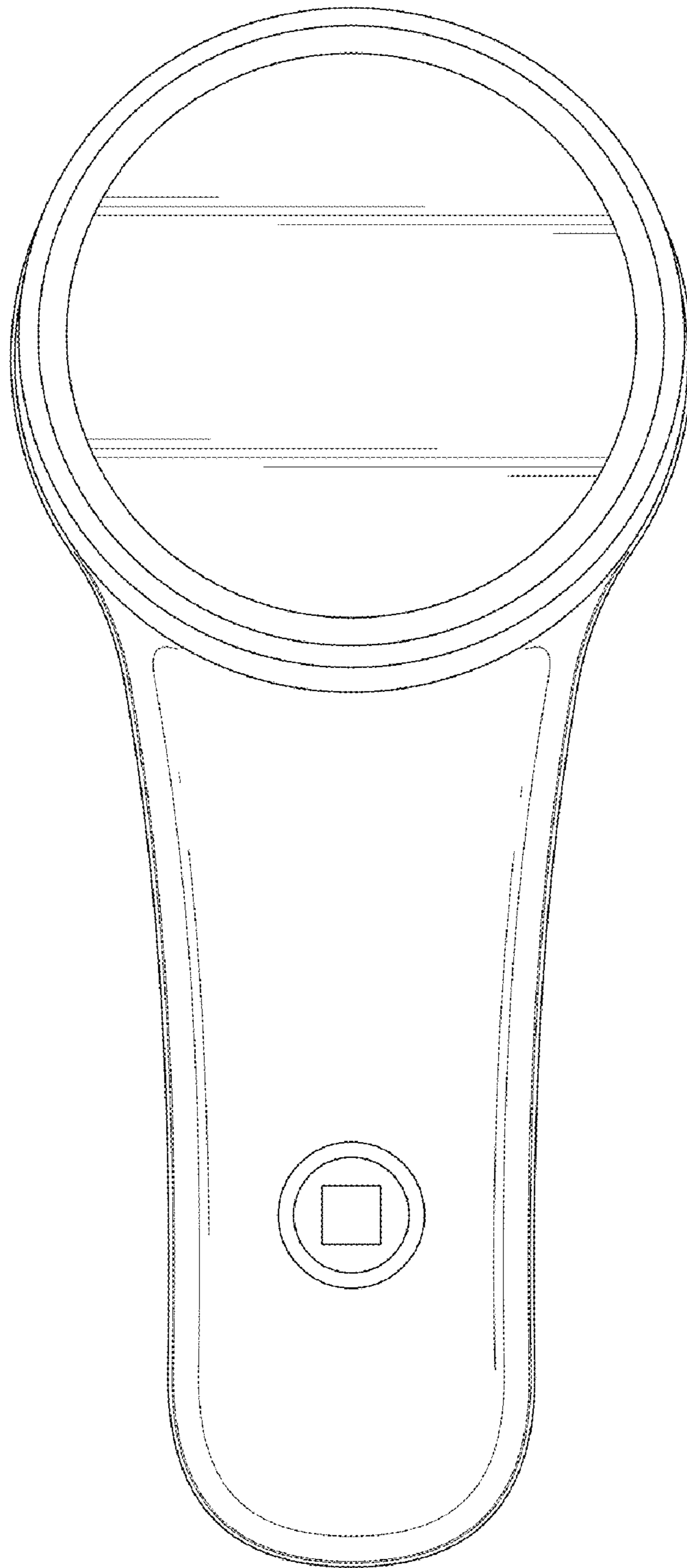


FIG. 2

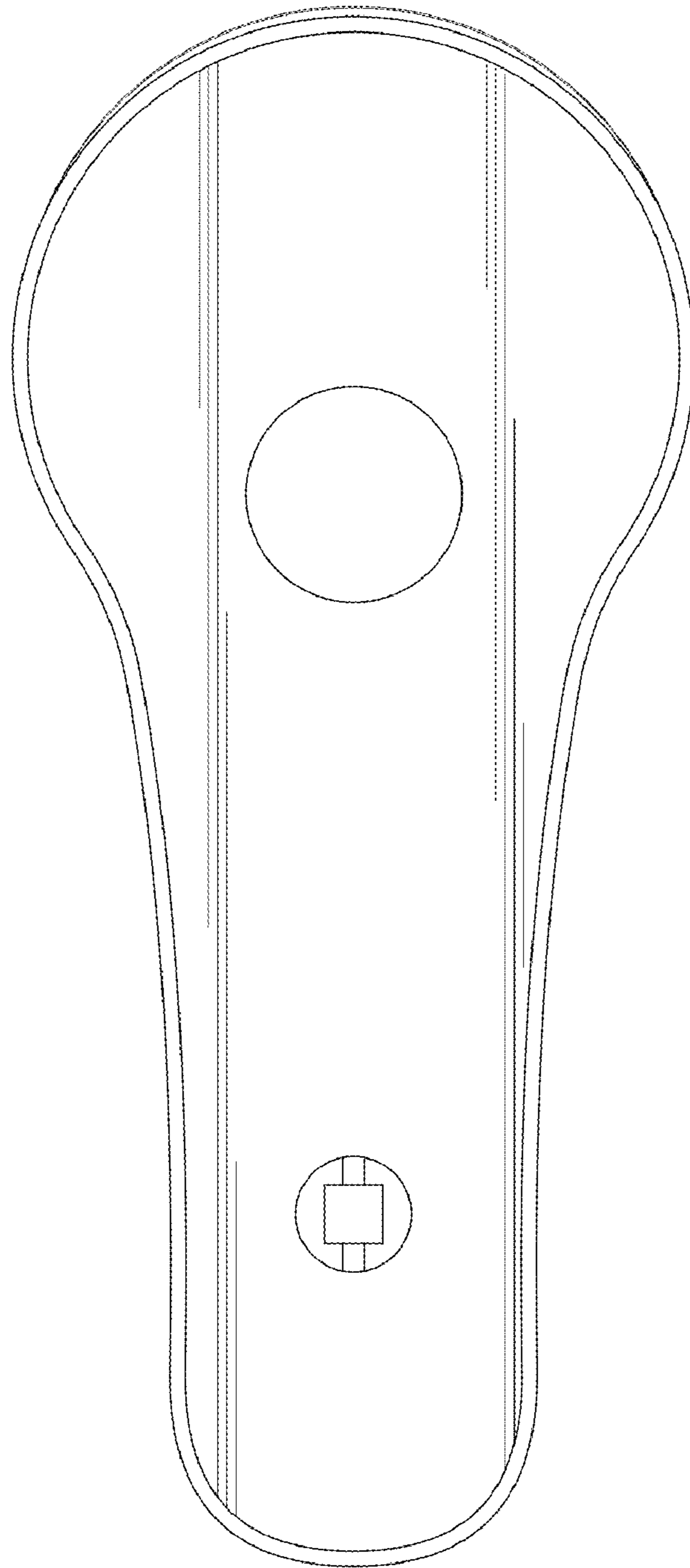


FIG. 3

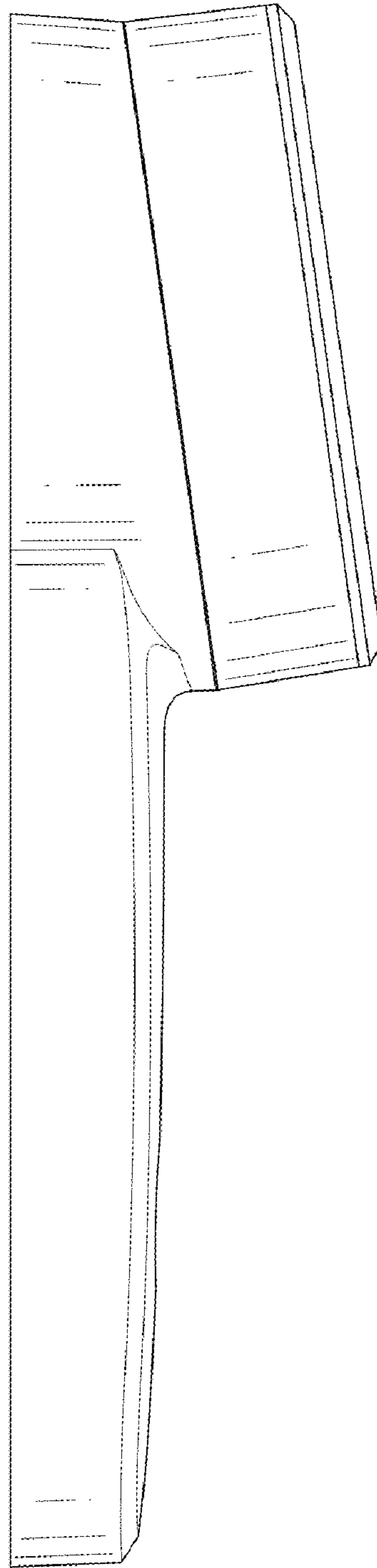


FIG. 4

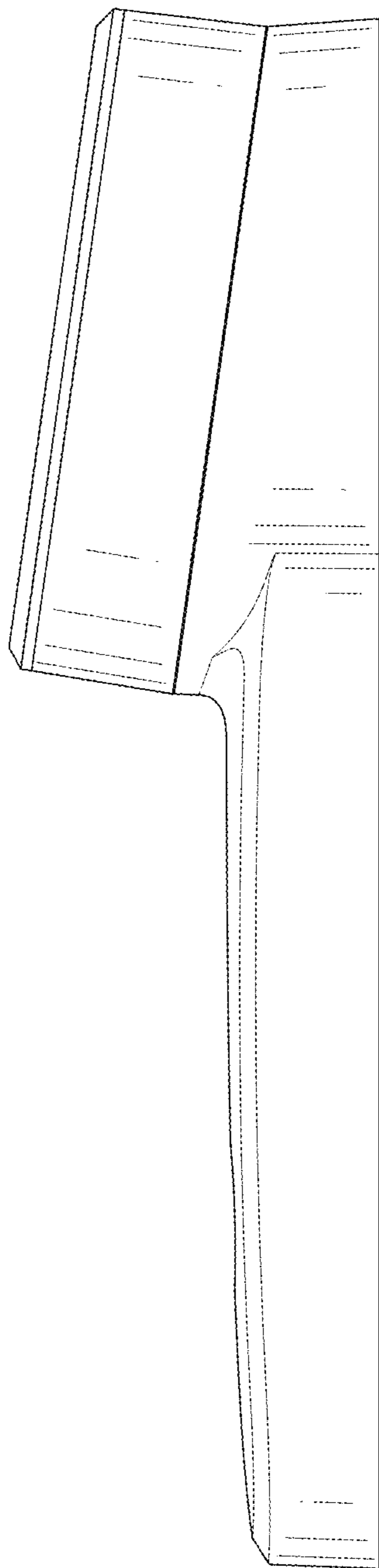


FIG. 5

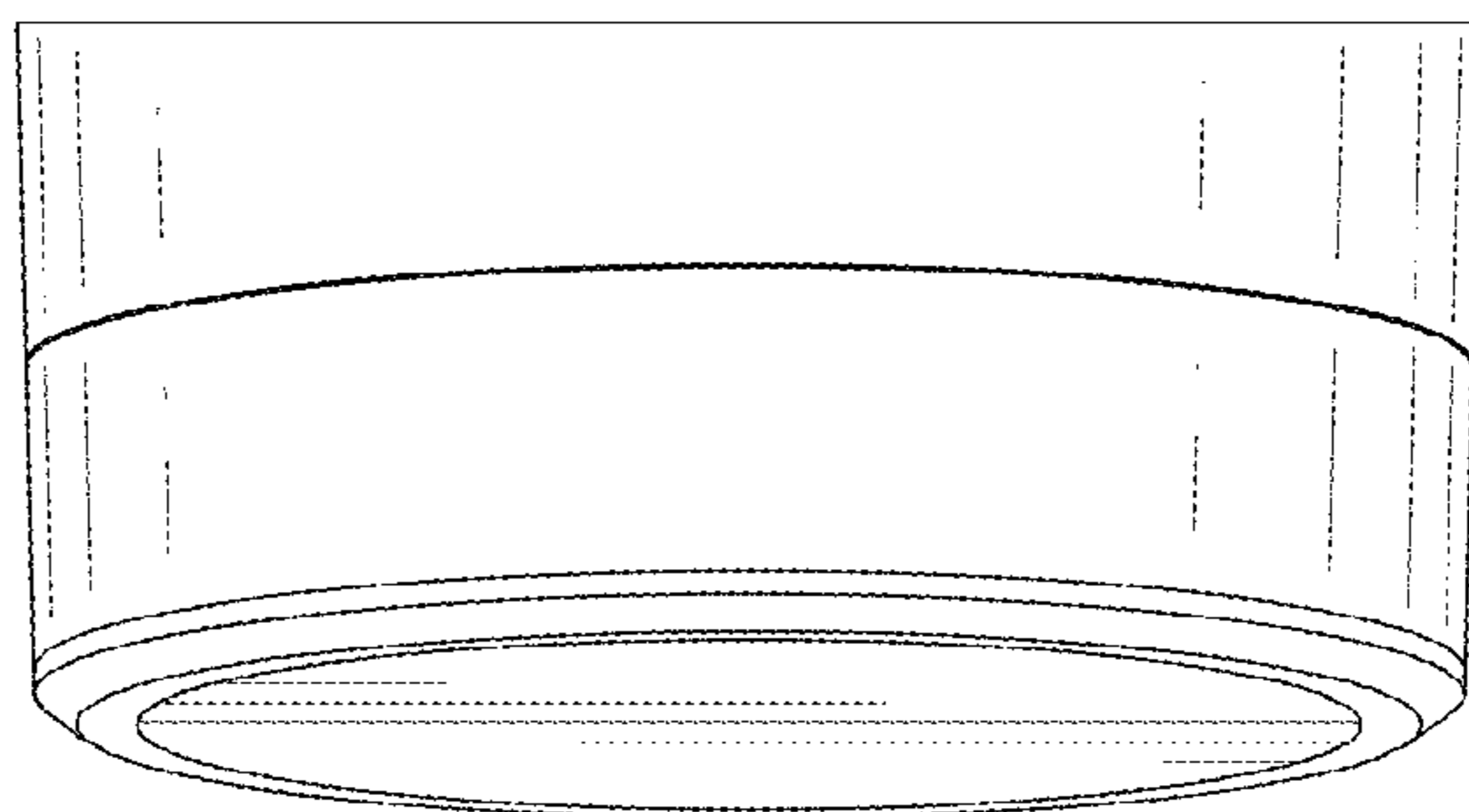


FIG. 6

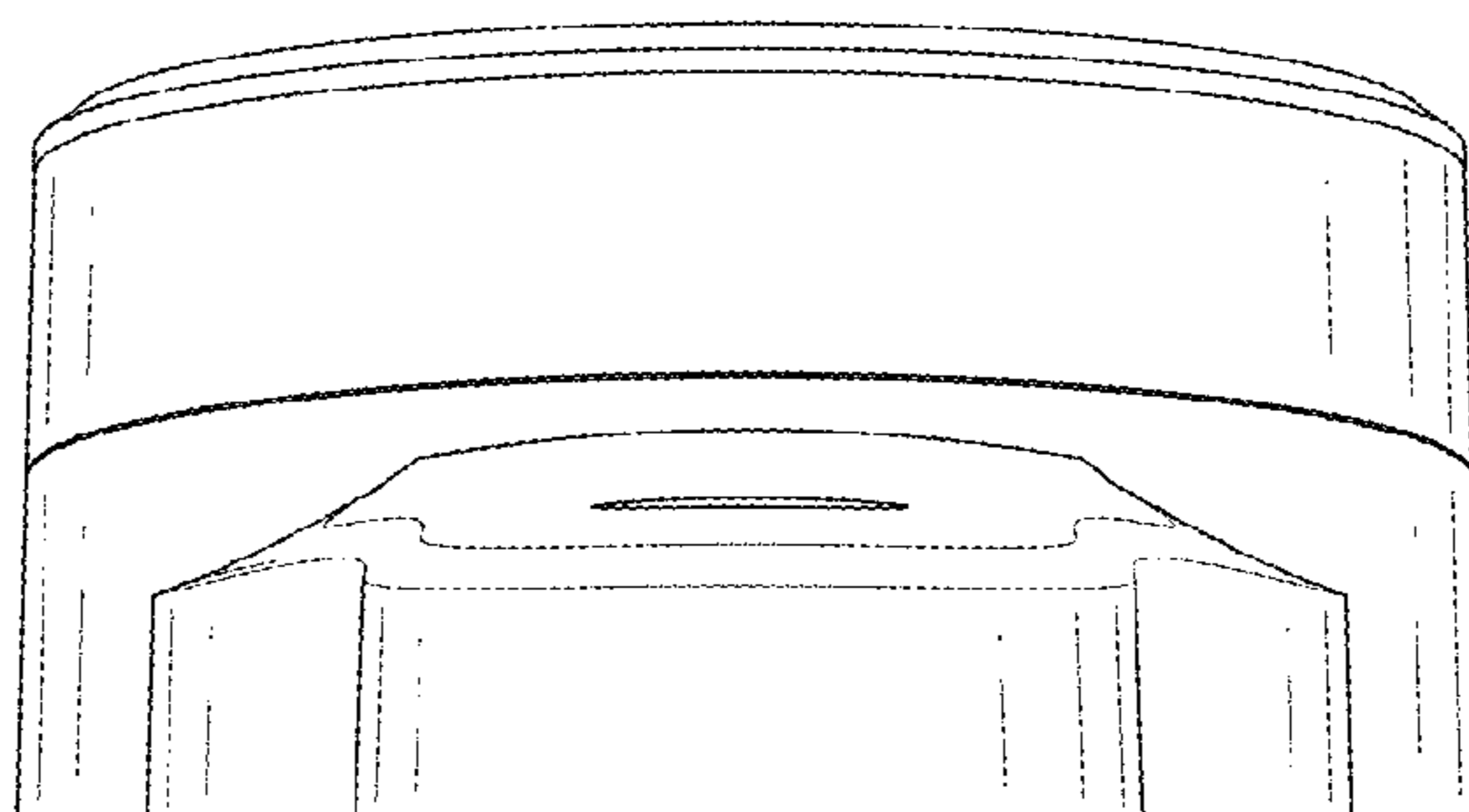


FIG. 7

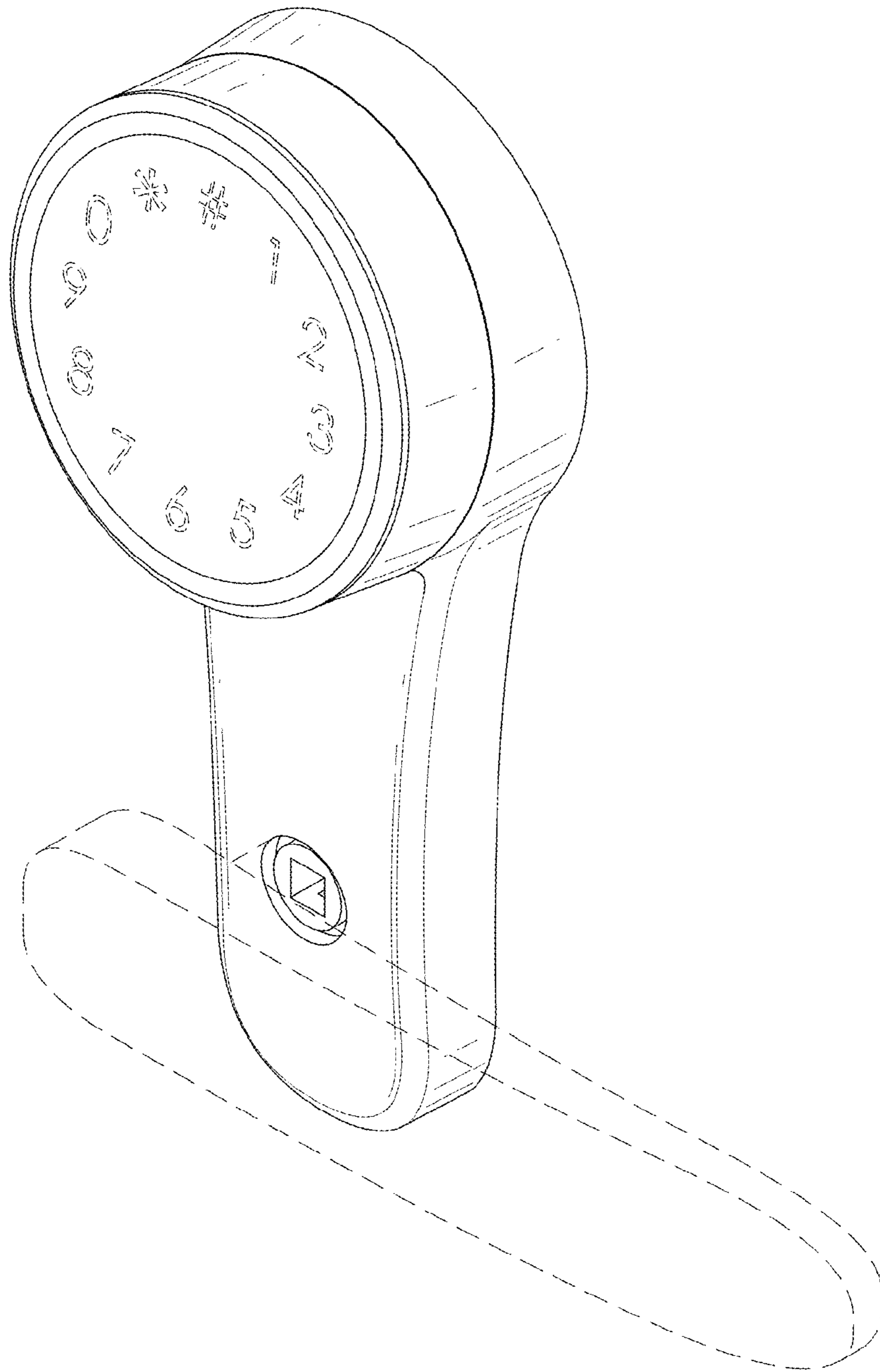


FIG. 8

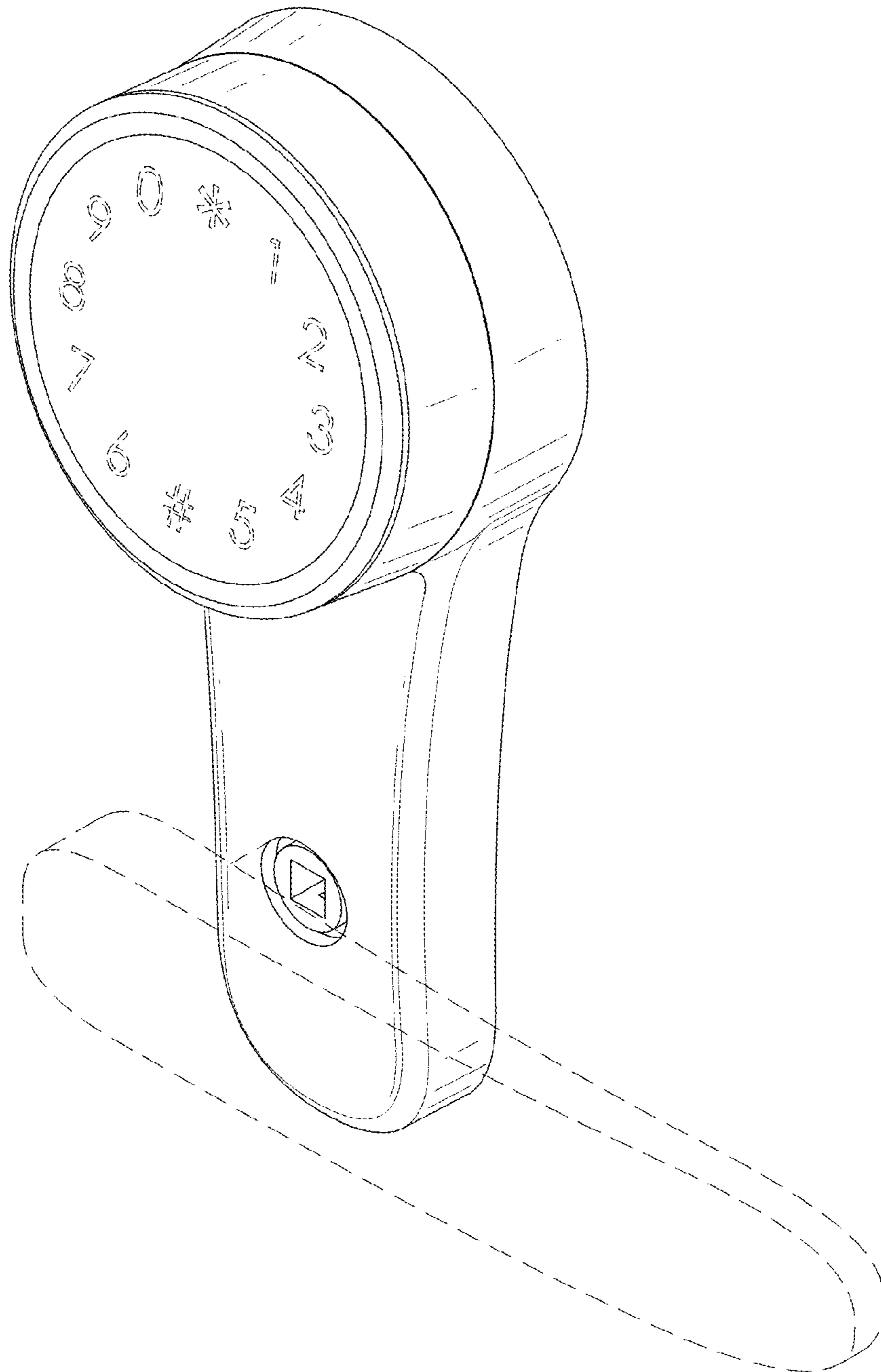


FIG. 9

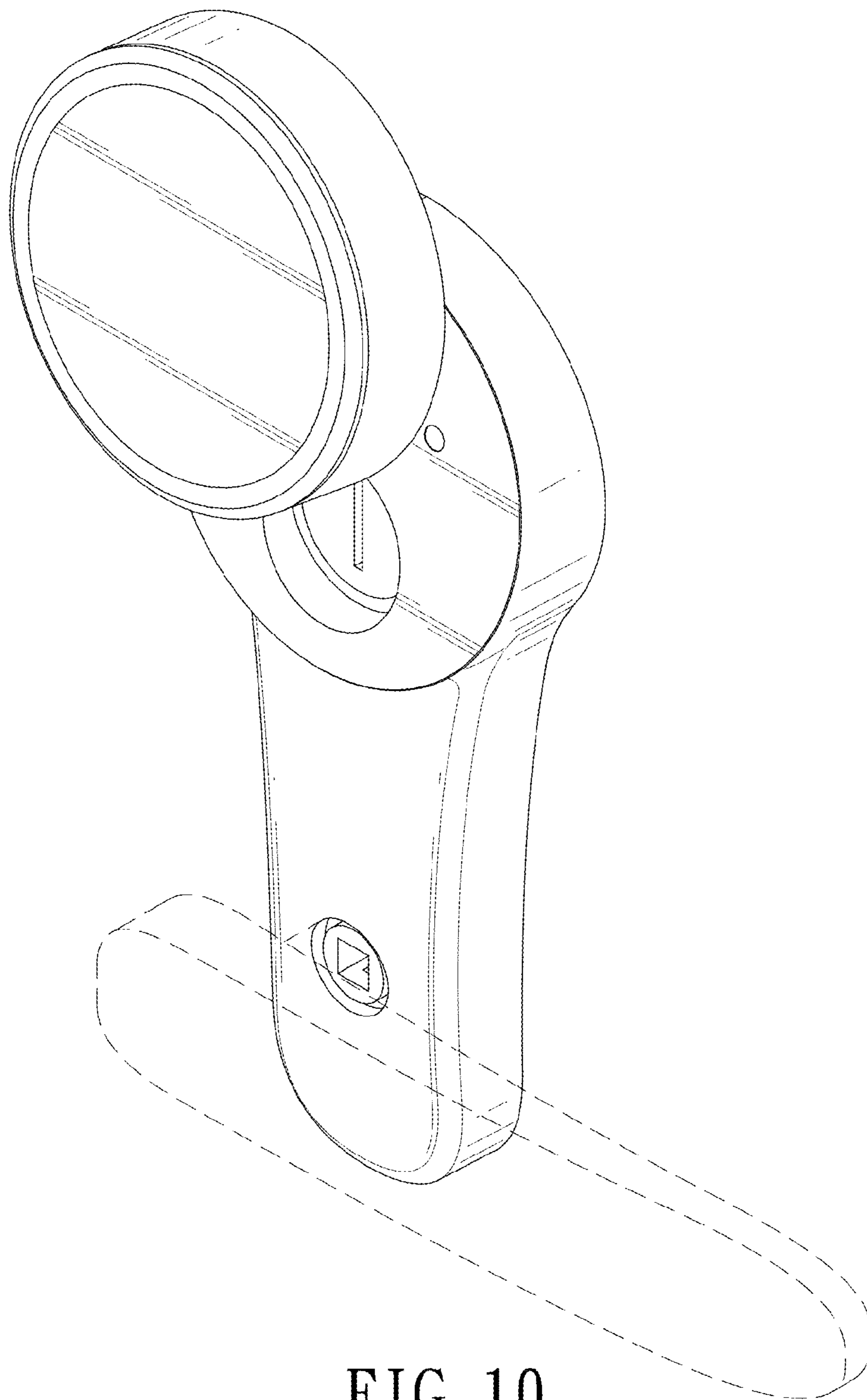


FIG. 10