



US00D678033S

(12) **United States Design Patent**
Matsumiya et al.

(10) **Patent No.:** **US D678,033 S**
(45) **Date of Patent:** **** Mar. 19, 2013**

(54) **STAND FOR A MICROMETER**

(75) Inventors: **Sadayuki Matsumiya**, Kawasaki (JP);
Shuji Hayashida, Kawasaki (JP); **Kenji**
Abiko, Kawasaki (JP); **Shigeru Ohtani**,
Kawasaki (JP); **Yoshiro Asano**, Tokyo
(JP)

(73) Assignee: **Mitutoyo Corporation**, Kawasaki-Shi
(JP)

(**) Term: **14 Years**

(21) Appl. No.: **29/401,965**

(22) Filed: **Sep. 19, 2011**

(30) **Foreign Application Priority Data**

Jun. 29, 2011 (JP) 2011-014769

(51) **LOC (9) Cl.** **08-06**

(52) **U.S. Cl.** **D8/312; D10/80**

(58) **Field of Classification Search** D3/318,
D3/291; D6/633; D7/393; D8/300-302,
D8/305, 310, 312-321, DIG. 1; D23/250-254;
4/675-678; 16/11 R, 101.1, 412, 414-420,
16/443-446, 441, 110 R, 111 R, DIG. 19,
16/DIG. 20; 137/801; 33/783-832, DIG. 12;
D10/73, 74, 80

See application file for complete search history.

(56) **References Cited**

U.S. PATENT DOCUMENTS

D433,733 S *	11/2000	Lord	D23/250
D443,677 S *	6/2001	Lord	D23/250
D534,993 S *	1/2007	Kirar	D23/250
D657,654 S *	4/2012	Matsumiya et al.	D8/312

* cited by examiner

Primary Examiner — Antoine D Davis

(74) *Attorney, Agent, or Firm* — Oliff & Berridge, PLC

(57) **CLAIM**

We claim the ornamental design for a stand for a micrometer,
as shown and described.

DESCRIPTION

FIG. 1 is a front perspective view of a stand for a micrometer showing our new design;
FIG. 2 is a front view thereof;
FIG. 3 is a rear view thereof;
FIG. 4 is a left-side view thereof;
FIG. 5 is a right-side view thereof;
FIG. 6 is a top view thereof;
FIG. 7 is a bottom view thereof; and,
FIG. 8 is a partially enlarge view thereof shown in FIG. 1.
The broken lines depict environmental subject matter only and form no part of the claimed design.

1 Claim, 8 Drawing Sheets

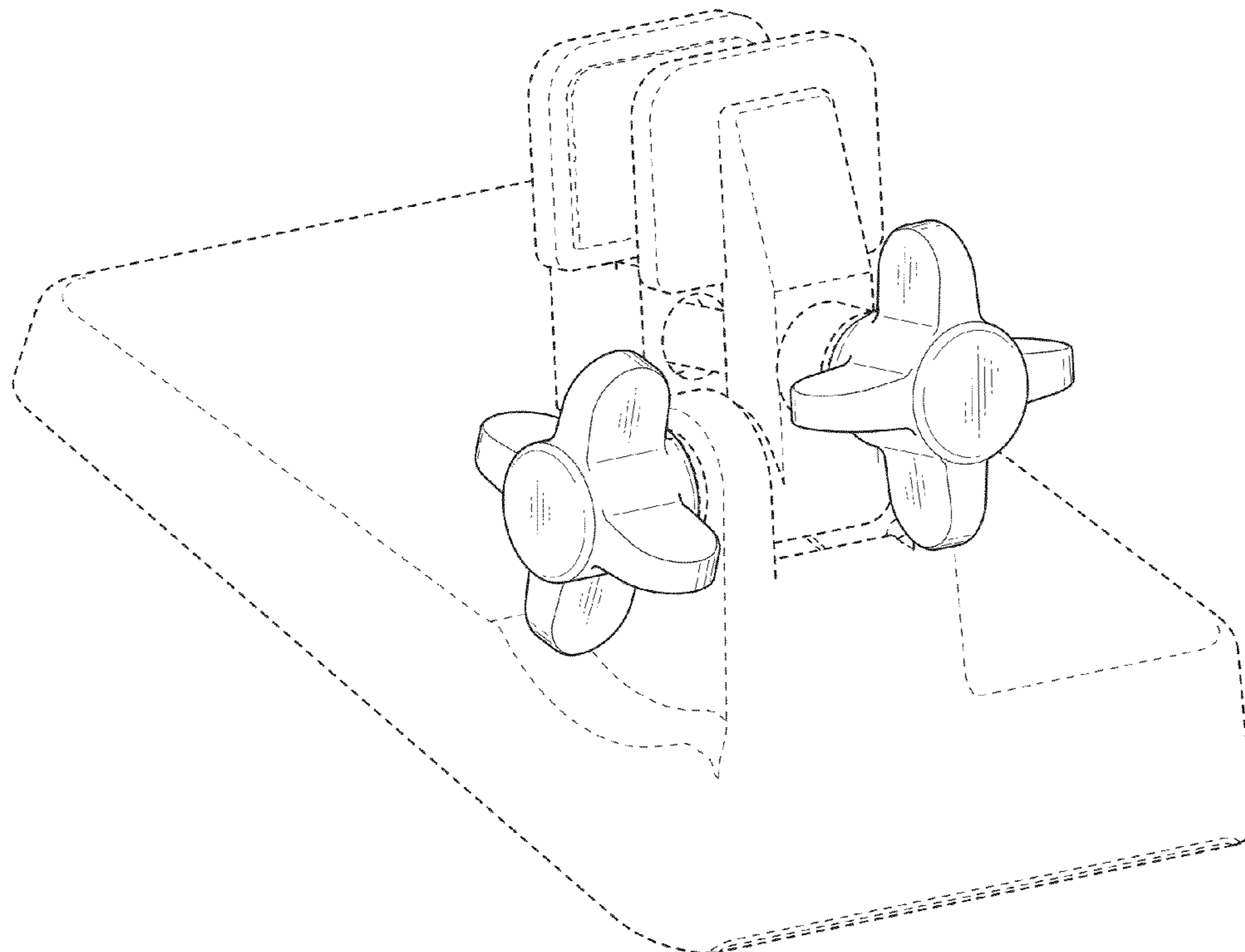


FIG. 1

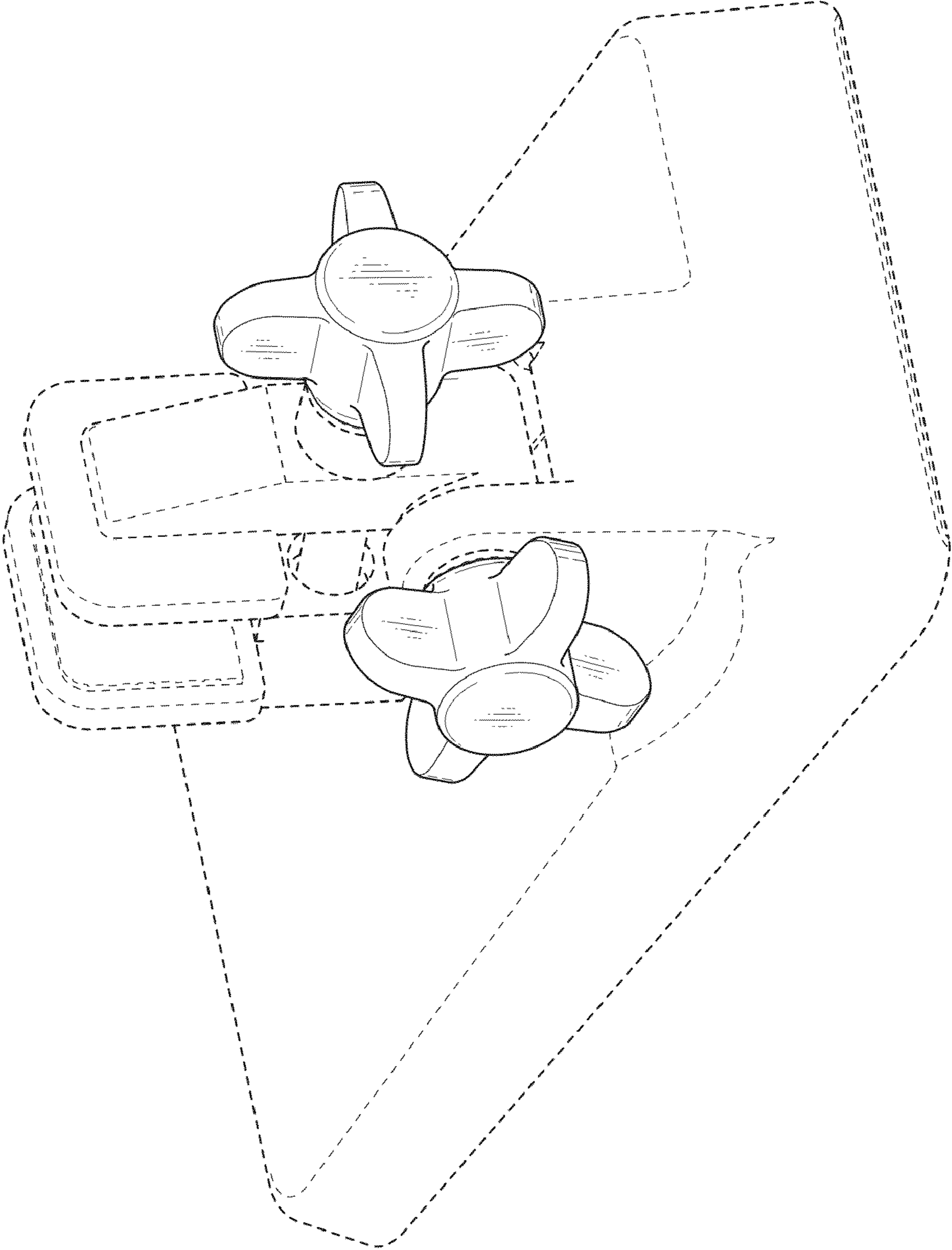


FIG. 2

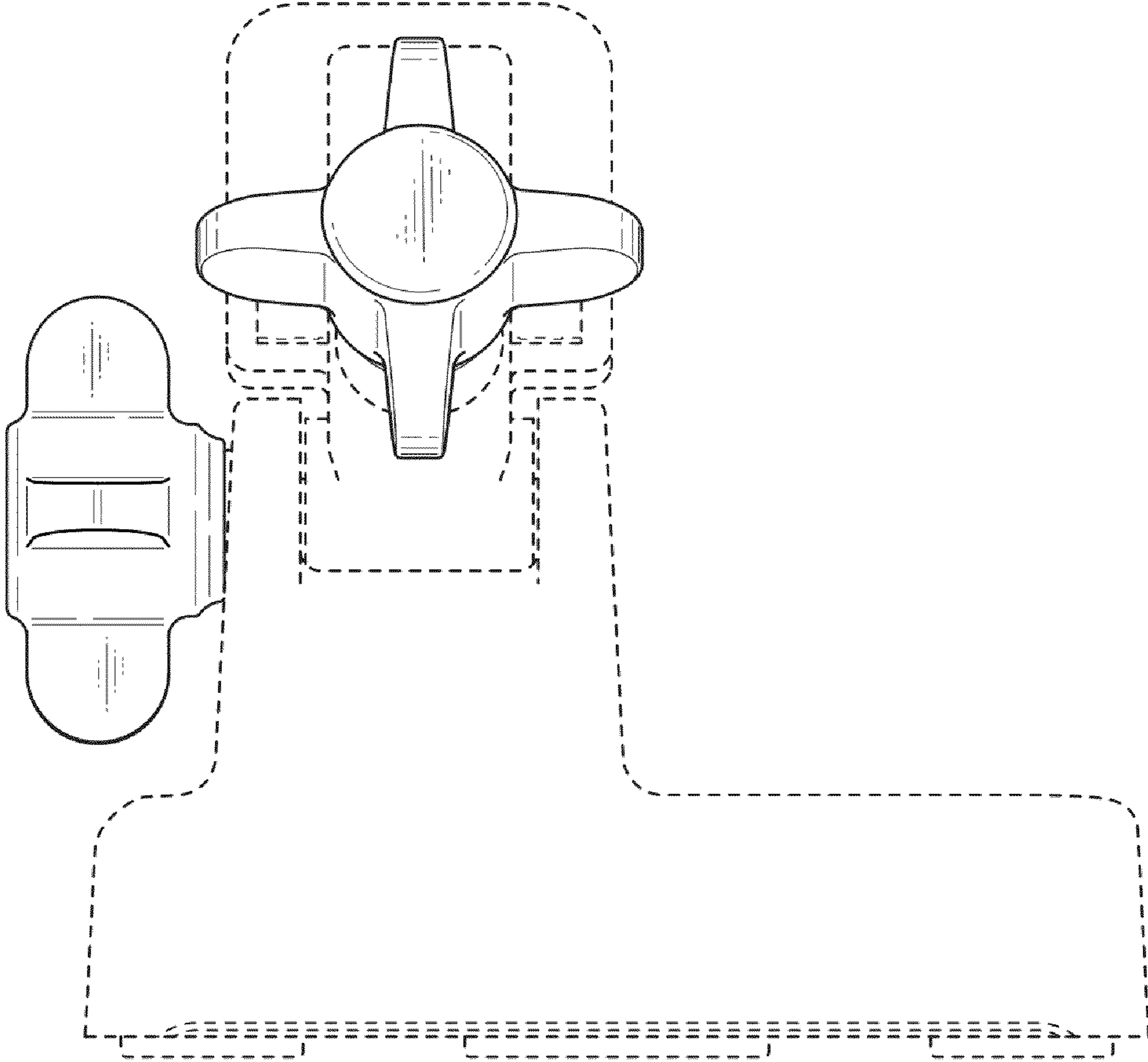


FIG. 3

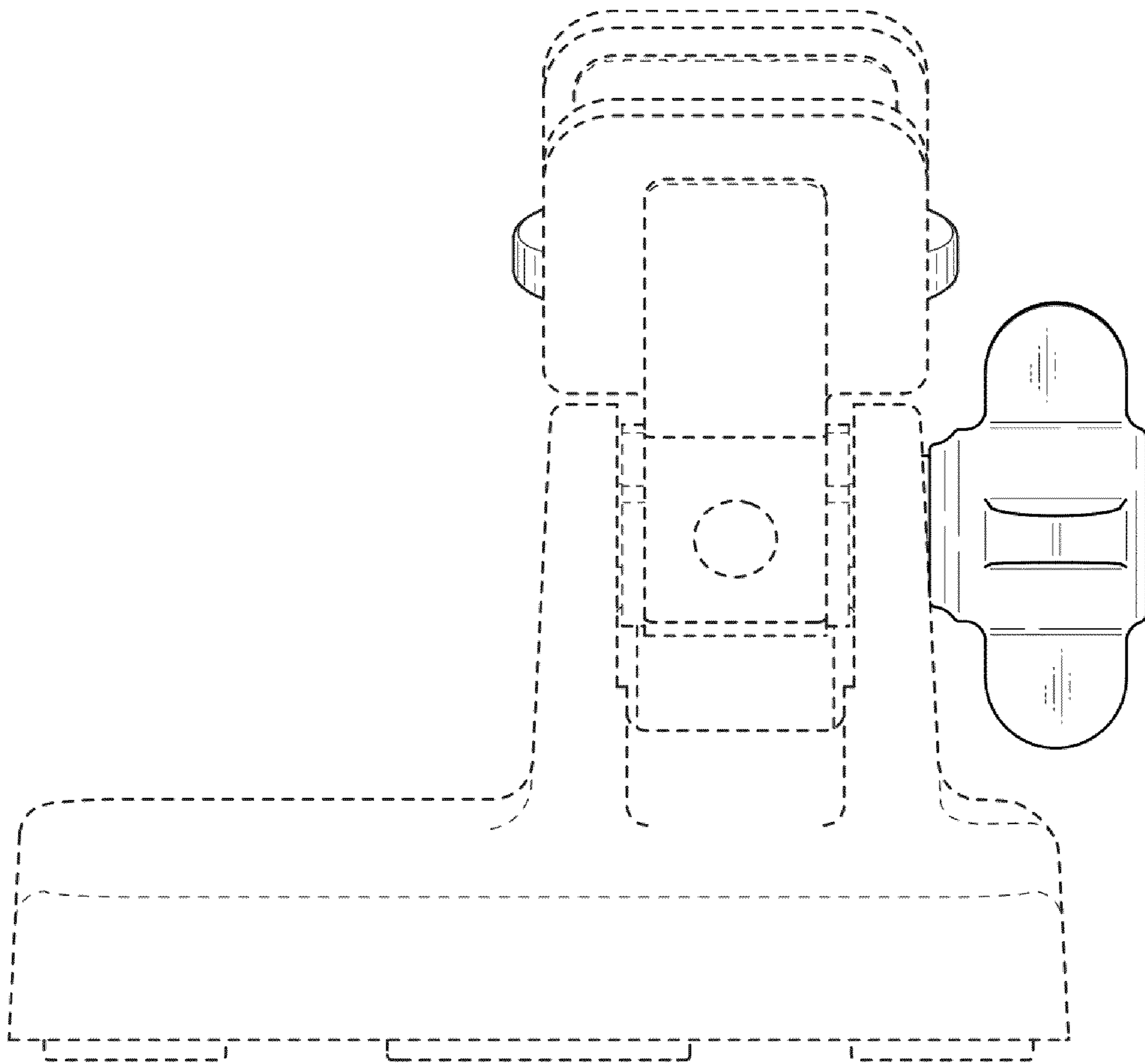


FIG. 4

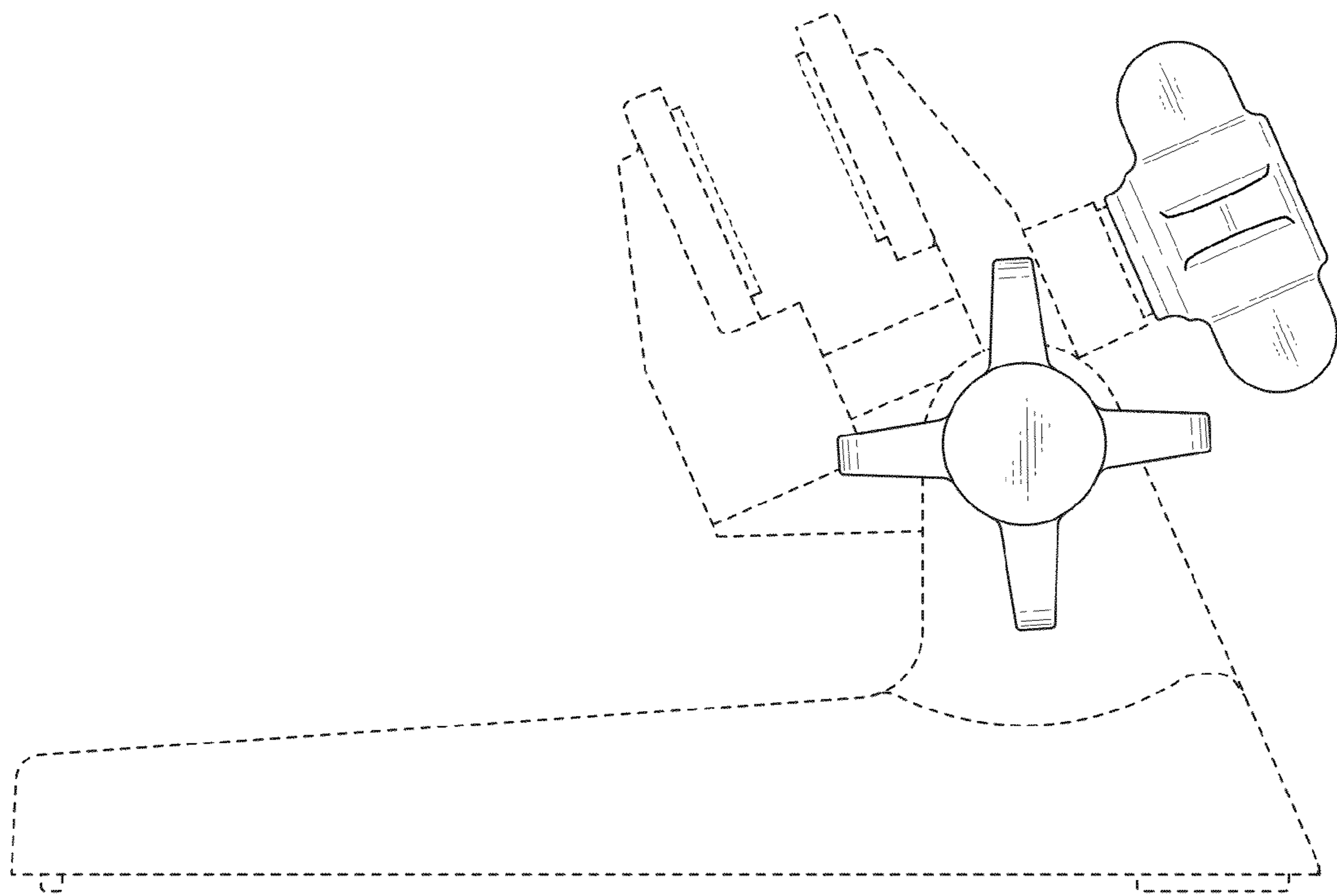


FIG. 5

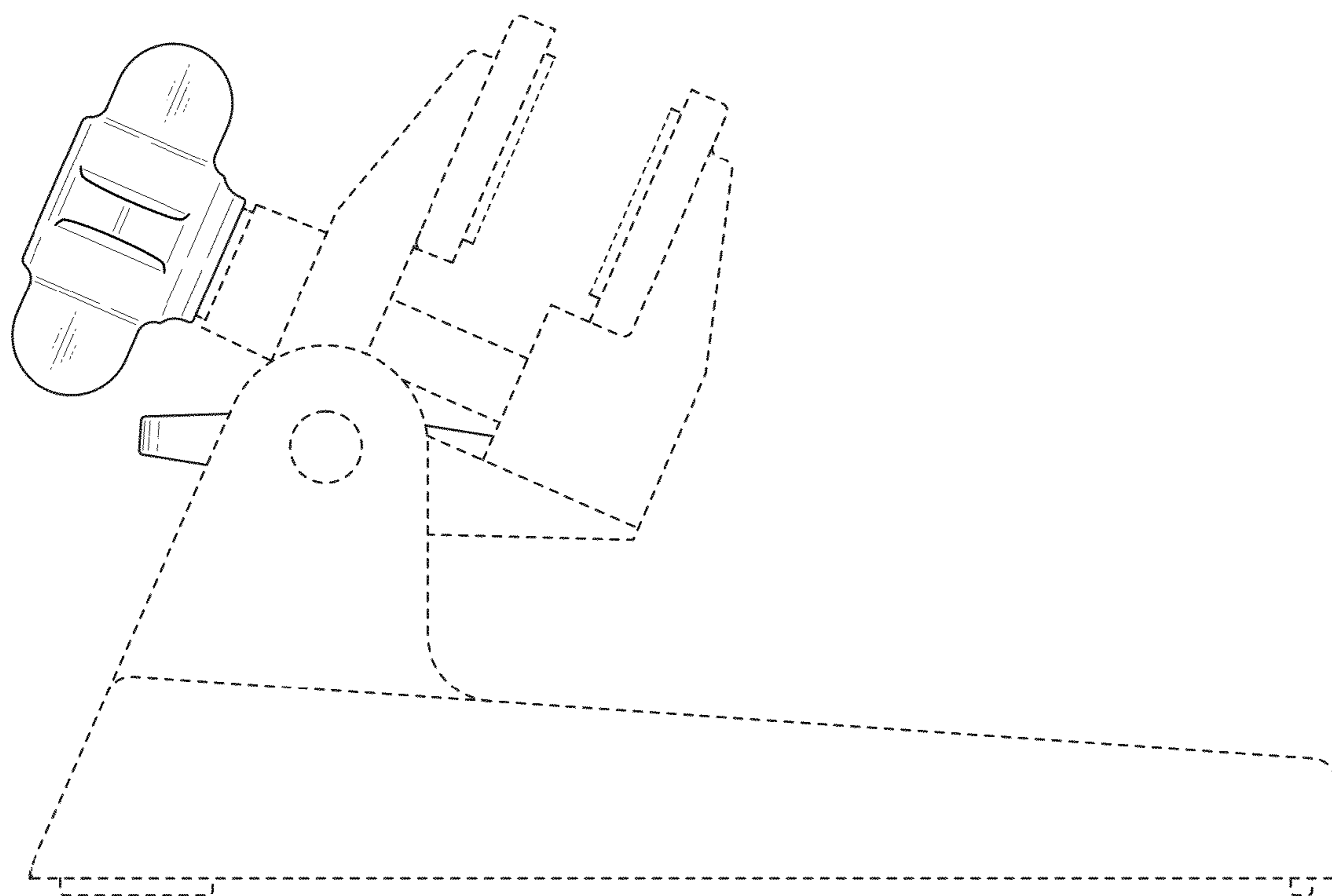


FIG. 6

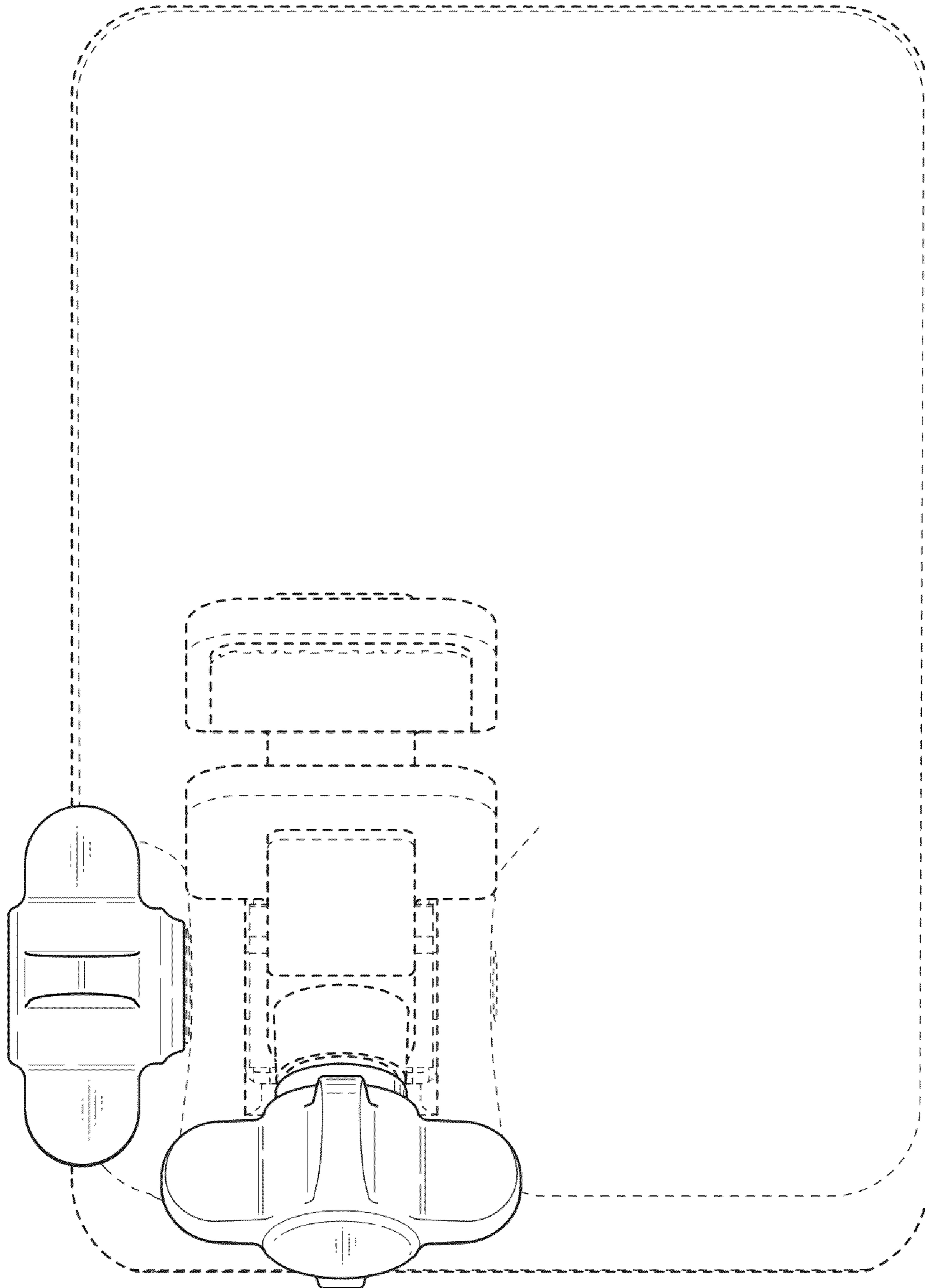


FIG. 7

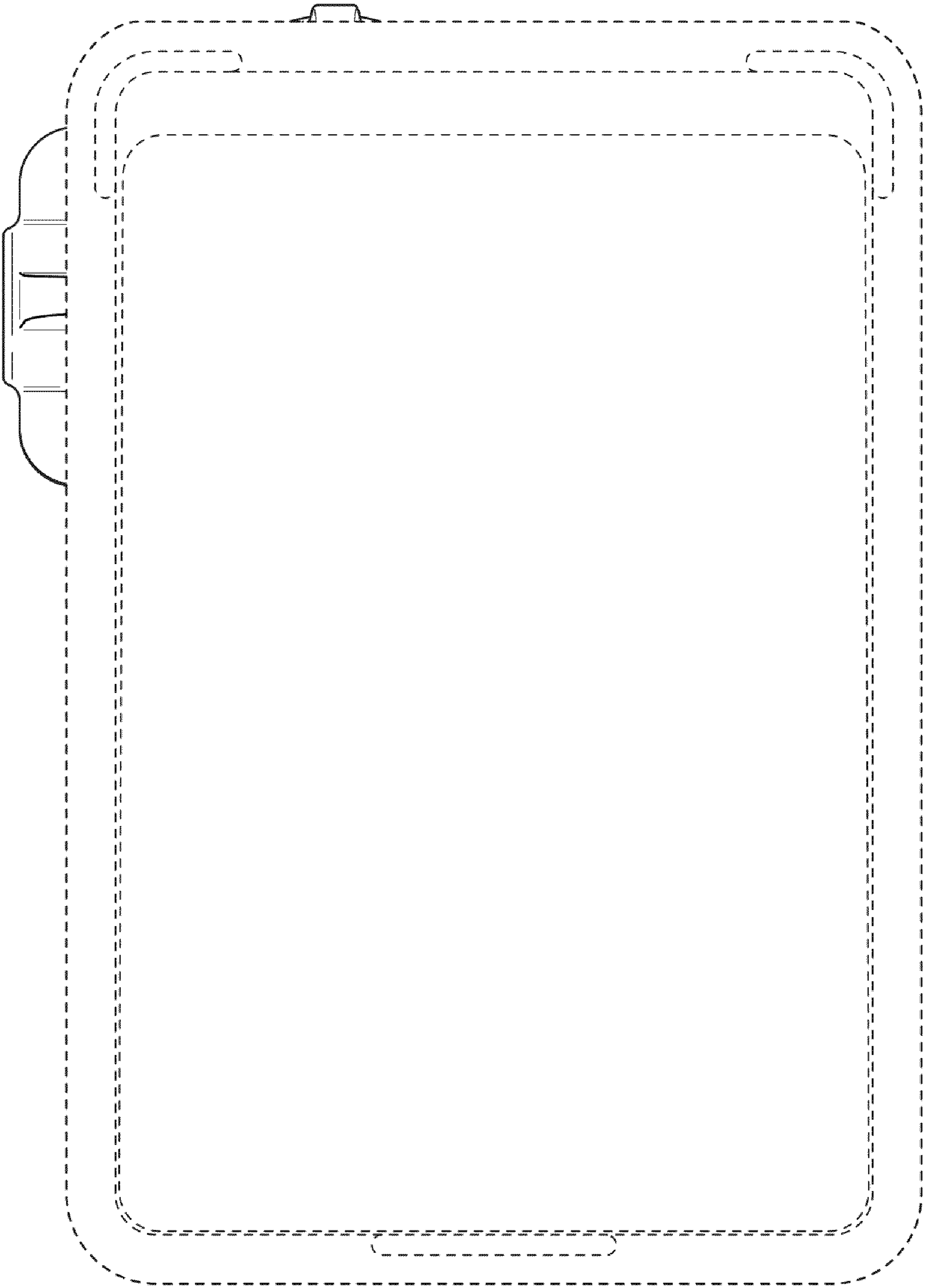


FIG. 8

