



US00D678032S

(12) **United States Design Patent**  
**Coplan et al.**

(10) **Patent No.:** **US D678,032 S**  
(45) **Date of Patent:** **\*\* Mar. 19, 2013**

(54) **HANDLE**  
(75) Inventors: **Matt Coplan**, Harrisburg, SD (US); **Dan Raap**, Hartford, SD (US); **David Chen**, Minneapolis, MN (US); **John Parkhurst**, Minnetonka, MN (US); **Joe Gryte**, Champlin, MN (US); **Michael D. Svoma**, Bloomer, WI (US)  
(73) Assignee: **Amesbury Group, Inc.**, Amesbury, MA (US)  
(\*\*) Term: **14 Years**  
(21) Appl. No.: **29/411,141**  
(22) Filed: **Jan. 17, 2012**  
(51) **LOC (9) Cl.** ..... **08-06**  
(52) **U.S. Cl.** ..... **D8/301**  
(58) **Field of Classification Search** ..... D8/301, D8/302, 331, 319, DIG. 1; 16/110.1, 429; 292/336.3, 62, DIG. 30, DIG. 46; 70/95  
See application file for complete search history.

D270,994 S 10/1983 Tegner  
D274,123 S 6/1984 Tegner  
4,708,007 A 11/1987 Stoia  
D297,505 S 9/1988 Mosch  
D300,505 S 4/1989 Palm, Jr. et al.  
D303,075 S 8/1989 Mosch  
D303,490 S 9/1989 Mosch  
D305,724 S 1/1990 Mosch  
D312,381 S 11/1990 Clayton  
D316,805 S 5/1991 Paulson et al.  
D316,806 S 5/1991 Paulson et al.  
D316,807 S 5/1991 Paulson et al.  
D319,772 S 9/1991 Mosch  
D320,334 S 10/1991 Clancy  
D326,990 S 6/1992 Bishop  
D326,991 S 6/1992 Bishop  
D326,992 S 6/1992 Clayton  
D326,993 S 6/1992 Clayton  
D326,994 S 6/1992 Bishop  
D330,839 S 11/1992 Barrington et al.  
5,210,905 A 5/1993 Dietz et al.  
D339,280 S 9/1993 Bray et al.  
D340,398 S 10/1993 Clancy  
D350,890 S 9/1994 Boeri  
D351,980 S 11/1994 Molteni  
D355,839 S 2/1995 Chieda

(Continued)

(56) **References Cited**

**U.S. PATENT DOCUMENTS**

D72,725 S 5/1927 Rosentha  
D176,085 S 11/1955 Stone  
D196,563 S 10/1963 Clayton  
D199,612 S 11/1964 Foster  
3,381,990 A 5/1968 Kreger  
D246,424 S 11/1977 Clayton  
D246,950 S 1/1978 Palm, Jr.  
D246,951 S 1/1978 Palm, Jr.  
D246,952 S 1/1978 Palm, Jr.  
D247,843 S 5/1978 Pittenger  
D247,845 S 5/1978 Palm, Jr.  
D251,410 S 3/1979 Pittenger  
D252,012 S 6/1979 Pittenger  
D259,914 S 7/1981 Pittenger  
D259,915 S 7/1981 Pittenger  
D261,726 S 11/1981 Valli  
D267,774 S 2/1983 Pittenger  
D267,926 S 2/1983 Pittenger  
D268,321 S 3/1983 Tegner  
D270,993 S 10/1983 Tegner

*Primary Examiner* — Paula Greene

(74) *Attorney, Agent, or Firm* — Merchant & Gould P.C.

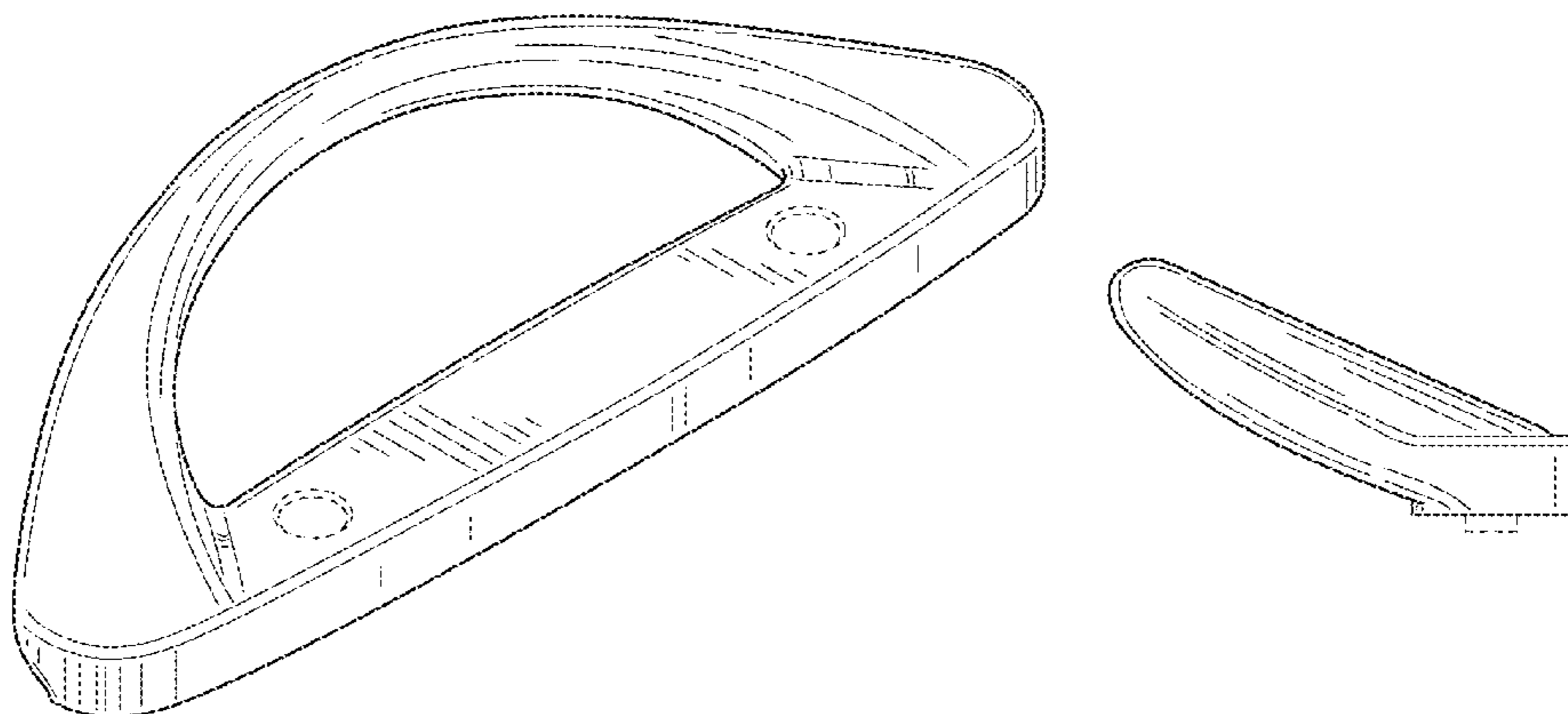
(57) **CLAIM**

The ornamental design for a handle, as shown and described.

**DESCRIPTION**

FIG. 1 is a perspective view of a first embodiment of a handle showing our new design.  
FIG. 2 is a bottom elevation view of the handle of FIG. 1.  
FIG. 3 is a front plan view of the handle of FIG. 1.  
FIG. 4 is a right elevation view of the handle of FIG. 1.  
FIG. 5 is a left elevation view of the handle of FIG. 1.  
FIG. 6 is a rear plan view of the handle of FIG. 1; and,  
FIG. 7 is a top elevation plan view of the handle of FIG. 1.  
The broken lines depict portions of the handle that form no part of the claimed design.

**1 Claim, 3 Drawing Sheets**



# US D678,032 S

Page 2

## U.S. PATENT DOCUMENTS

D356,724 S	3/1995	Chieda		D494,834 S	8/2004	Etlicher	
D357,168 S	4/1995	Chieda		D495,230 S	8/2004	Madlem et al.	
D361,255 S	8/1995	Crinion		D500,242 S	12/2004	Keller et al.	
D370,167 S	5/1996	Edwards		D501,392 S	2/2005	Roberts et al.	
5,582,442 A *	12/1996	Nolte .....	292/101	D505,268 S	5/2005	Potempa	
D384,266 S	9/1997	Mantarakis et al.		D509,420 S	9/2005	Hauber	
D384,568 S	10/1997	Mantarakis et al.		6,945,572 B1	9/2005	Hauber	
D384,573 S	10/1997	Lee		D511,670 S	11/2005	Chen	
D389,722 S	1/1998	Blom		D514,423 S	2/2006	Timothy	
D397,604 S	9/1998	Libbey et al.		D517,395 S	3/2006	Alchin	
5,820,170 A	10/1998	Clancy		D521,351 S	5/2006	Alchin	
D417,831 S	12/1999	Libbey et al.		D523,725 S	6/2006	Chen	
6,023,952 A	2/2000	Mantarakis et al.		D531,482 S	11/2006	Chen	
D423,321 S	4/2000	Maier		D542,119 S	5/2007	Ricereto	
D427,878 S	7/2000	Frey		D543,436 S	5/2007	Ricereto	
D431,994 S	10/2000	Libbey et al.		D546,160 S	7/2007	Reithmeyer	
D433,916 S	11/2000	Frey		D550,536 S	9/2007	Ricereto	
D436,830 S	1/2001	Nesseth		D550,537 S	9/2007	Ricereto	
D447,927 S	9/2001	LaPlume et al.		D551,534 S	9/2007	Liang et al.	
D448,647 S	10/2001	Goldsbury		D572,996 S	7/2008	Nolte et al.	
D451,360 S	12/2001	Nesseth		D583,646 S	12/2008	Nolte et al.	
D452,130 S	12/2001	Richardson		D592,932 S	5/2009	Jones et al.	
D466,787 S	12/2002	Clancy		D592,933 S	5/2009	Jones et al.	
D467,784 S	12/2002	Maier		D593,395 S	6/2009	Jones et al.	
6,502,435 B2 *	1/2003	Watts et al. ....	70/95	D626,815 S *	11/2010	Liang et al. ....	D8/301
D470,389 S	2/2003	Richardson		8,083,269 B2 *	12/2011	Mitchell .....	292/52
D482,592 S	11/2003	Thuma		D662,389 S *	6/2012	Hauber .....	D8/319
6,641,186 B2	11/2003	Tsai					

\* cited by examiner

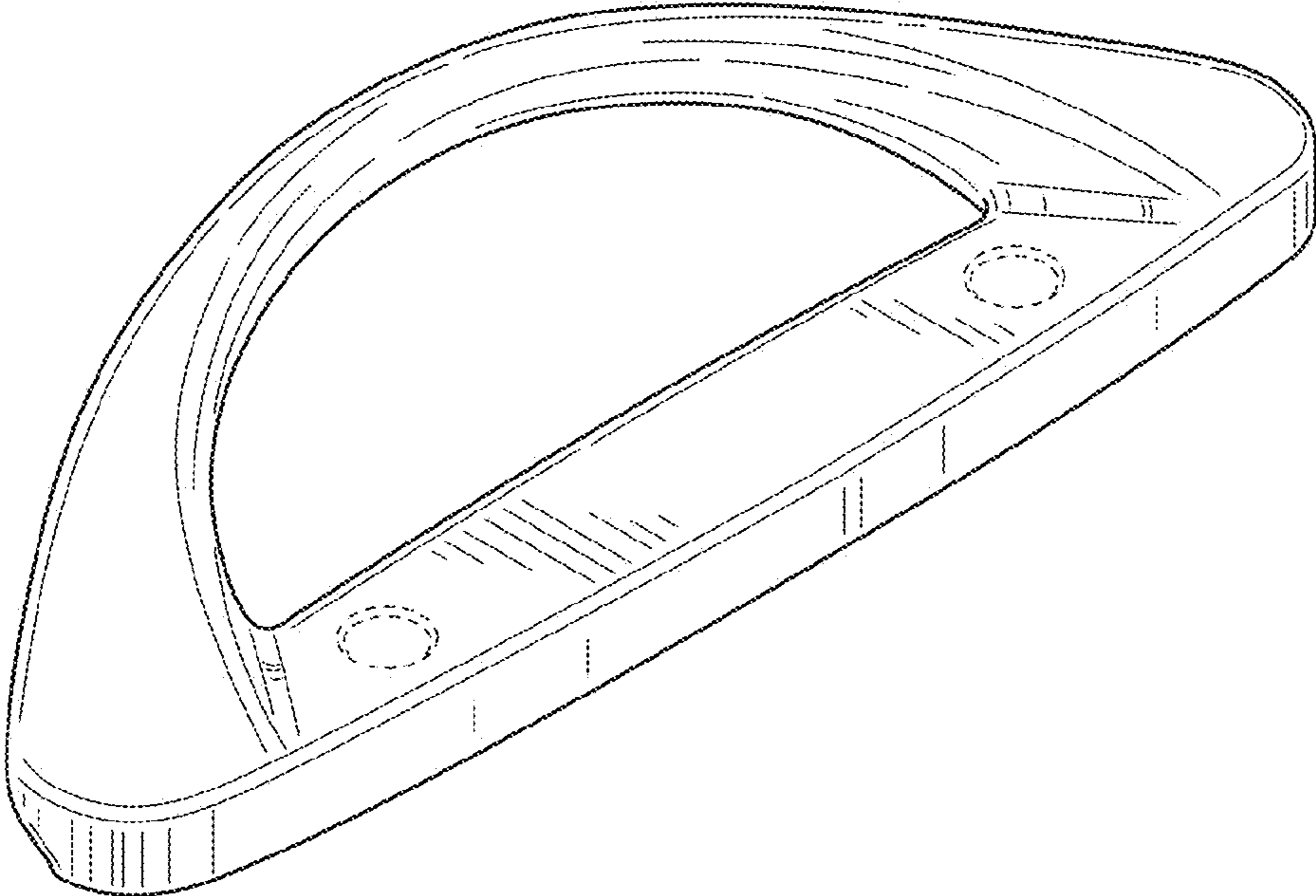


FIG.1

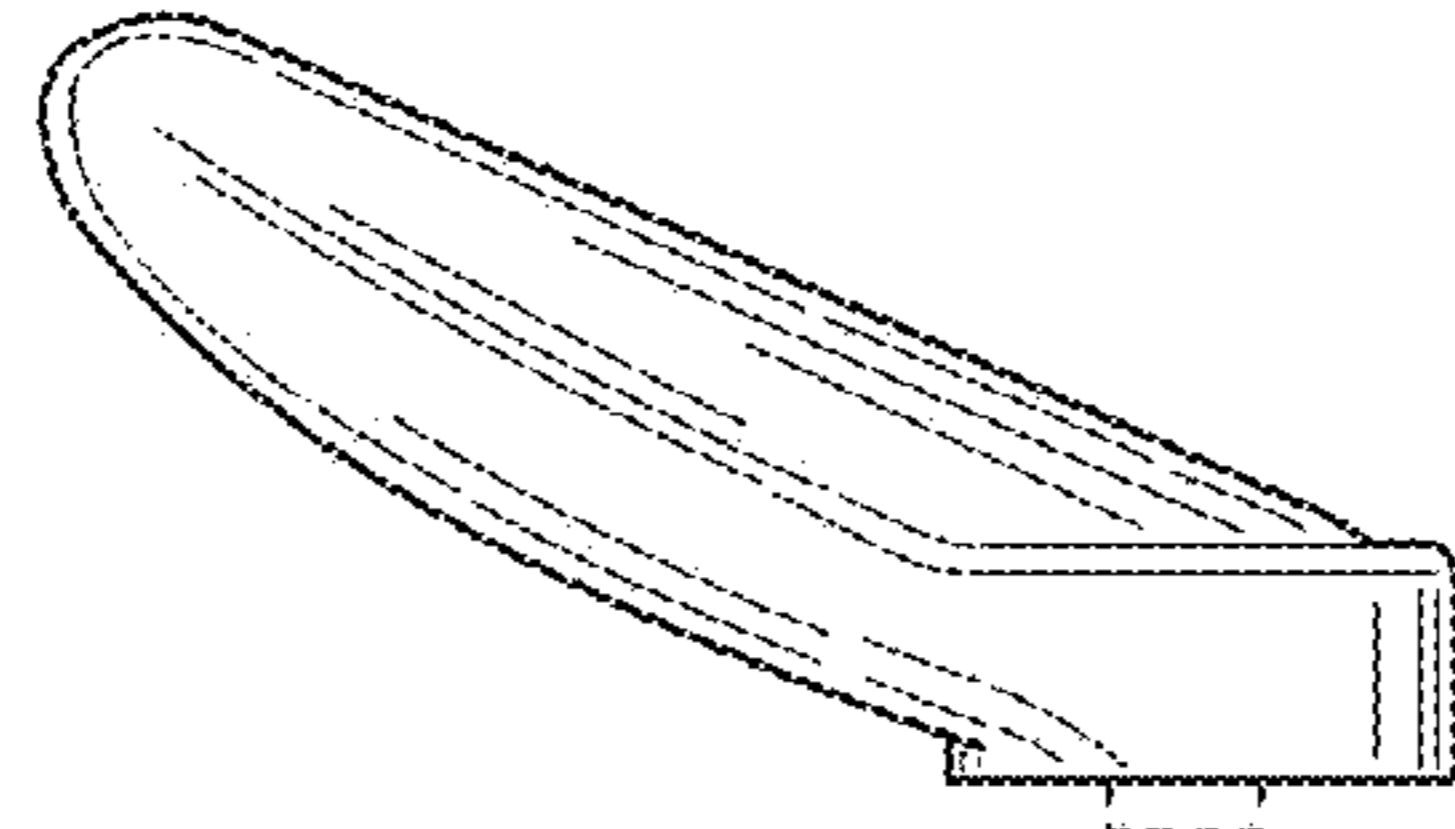


FIG. 2

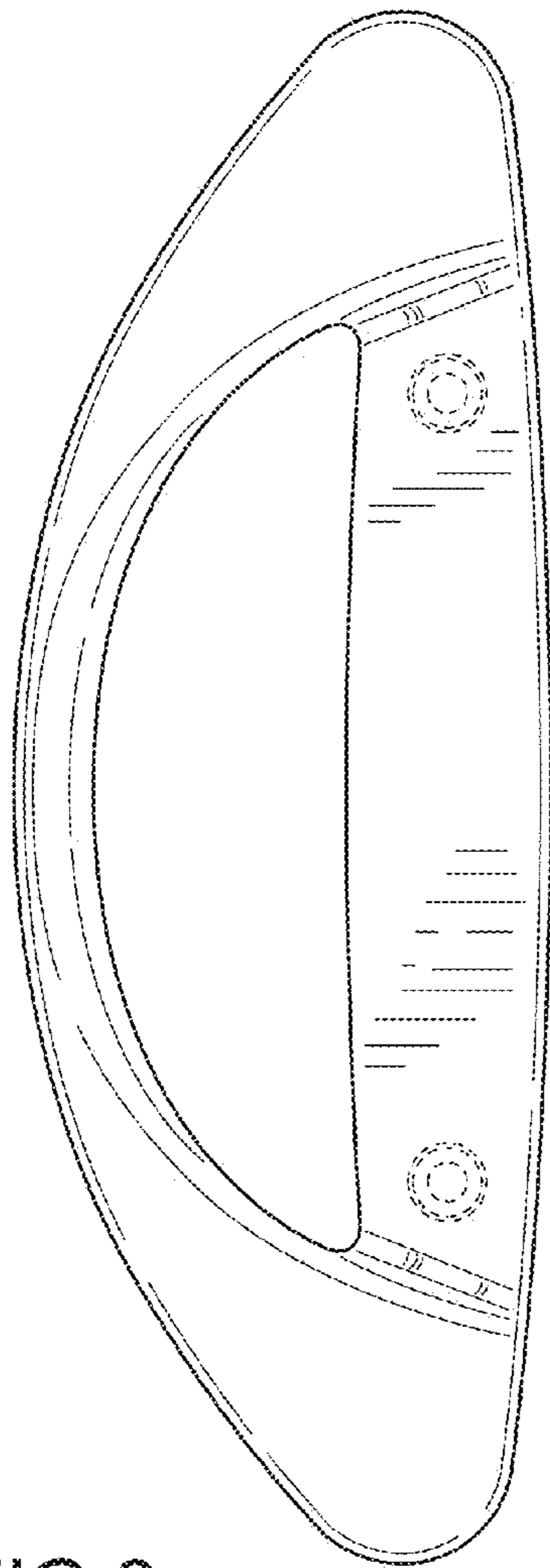


FIG. 3

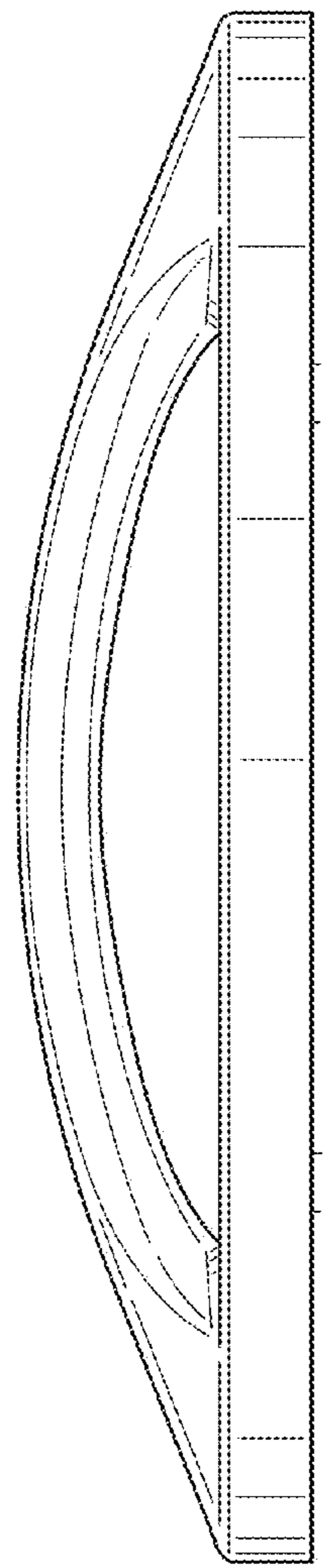


FIG. 4



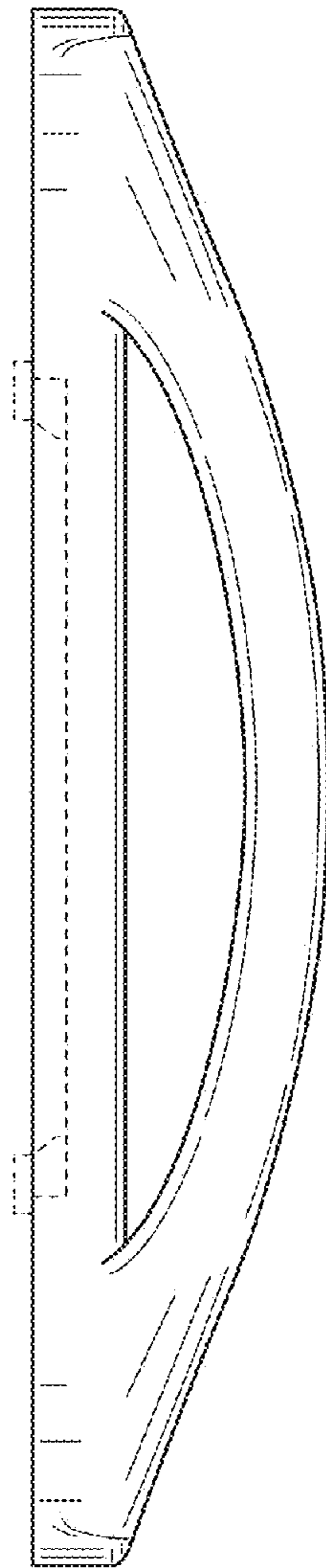


FIG. 5

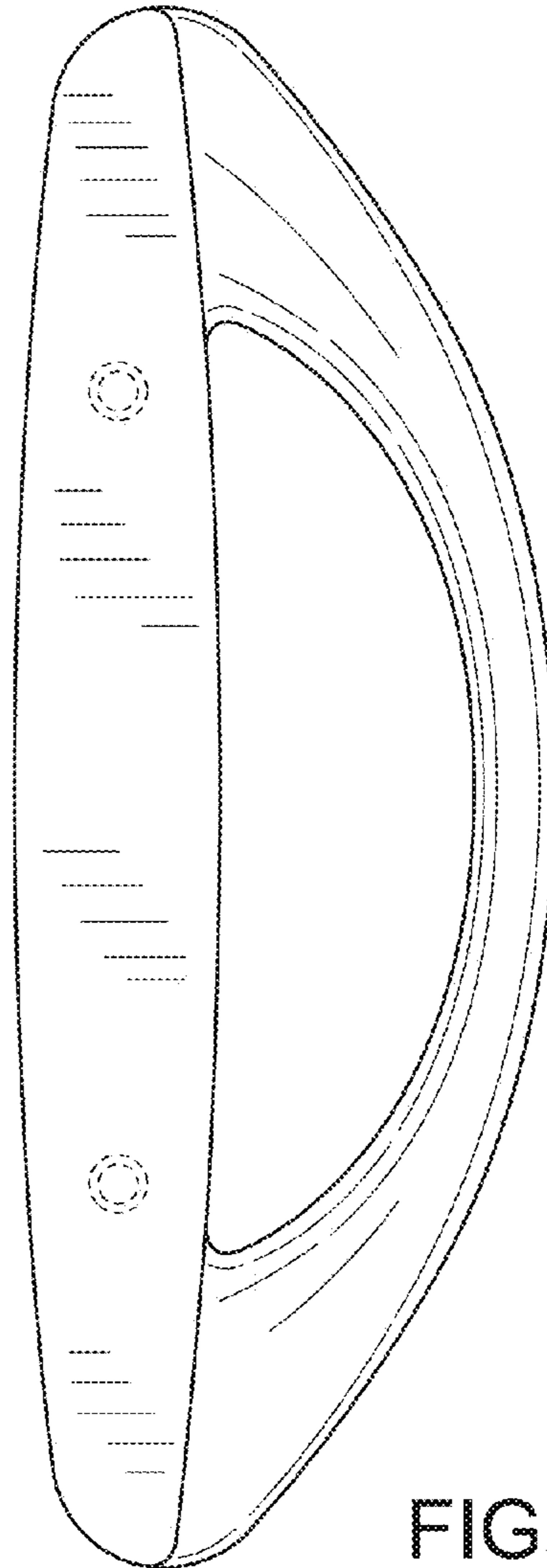


FIG. 6

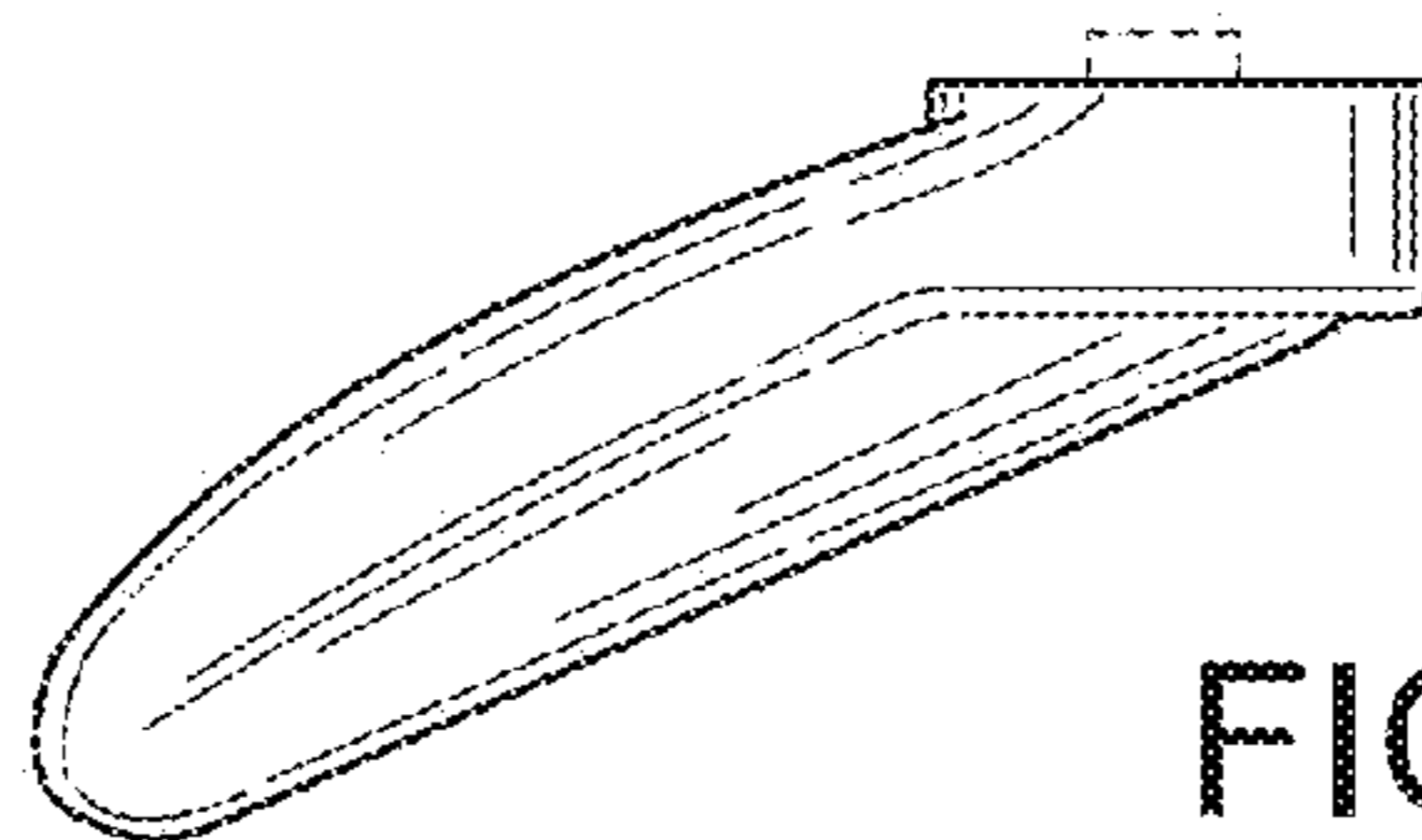


FIG. 7