



US00D678031S

(12) **United States Design Patent**
Wang

(10) **Patent No.:** **US D678,031 S**

(45) **Date of Patent:** **** Mar. 19, 2013**

(54) **TOOL HANDLE SHEATH**

(75) Inventor: **Ping-Kun Wang**, Kaohsiung (TW)

(73) Assignee: **I-Max International Co., Ltd.**,
Kaohsiung (TW)

(**) Term: **14 Years**

(21) Appl. No.: **29/418,660**

(22) Filed: **Apr. 19, 2012**

(51) **LOC (9) Cl.** **08-06**

(52) **U.S. Cl.** **D8/107; D8/322**

(58) **Field of Classification Search** D8/107,
D8/25, 80, 82, 83, 84, 85, 86, 87, DIG. 4,
D8/321, 322; 81/177.1, 177.85, 60, 61, 63,
81/489; D7/395; 150/161, 155; 16/110.1,
16/430, 431

See application file for complete search history.

(56) **References Cited**

U.S. PATENT DOCUMENTS

267,517	A *	11/1882	Gray	81/489
1,436,556	A *	11/1922	Woodworth	81/489
3,393,587	A *	7/1968	Jolliff et al.	81/63.2
4,091,497	A *	5/1978	Bade	16/430
4,990,753	A *	2/1991	Hollander	219/505
D411,792	S *	7/1999	Macor	D8/107
D444,692	S *	7/2001	Marquardt	D8/107
6,332,380	B1 *	12/2001	Macor	81/177.1
D452,806	S *	1/2002	King	D8/321
D482,588	S *	11/2003	Lai	D8/107
D490,680	S *	6/2004	Levine et al.	D8/83

D534,411	S *	1/2007	Kuo	D8/107
D546,659	S *	7/2007	Smith	D8/313
D564,853	S *	3/2008	Chen	D8/107
D576,457	S *	9/2008	Chen	D8/27
D617,169	S *	6/2010	Robinson et al.	D8/107
D619,866	S *	7/2010	Deguglimo et al.	D8/25

* cited by examiner

Primary Examiner — Paula Greene

(74) *Attorney, Agent, or Firm* — Wang Law Firm, Inc.; Li K. Wang; Stephen Hsu

(57) **CLAIM**

The ornamental design for a tool handle sheath, as shown and described.

DESCRIPTION

FIG. 1 is a perspective view of a tool handle sheath showing my new design;

FIG. 2 is a front elevational view thereof;

FIG. 3 is a rear elevational view thereof;

FIG. 4 is a left side view thereof;

FIG. 5 is a right side view thereof;

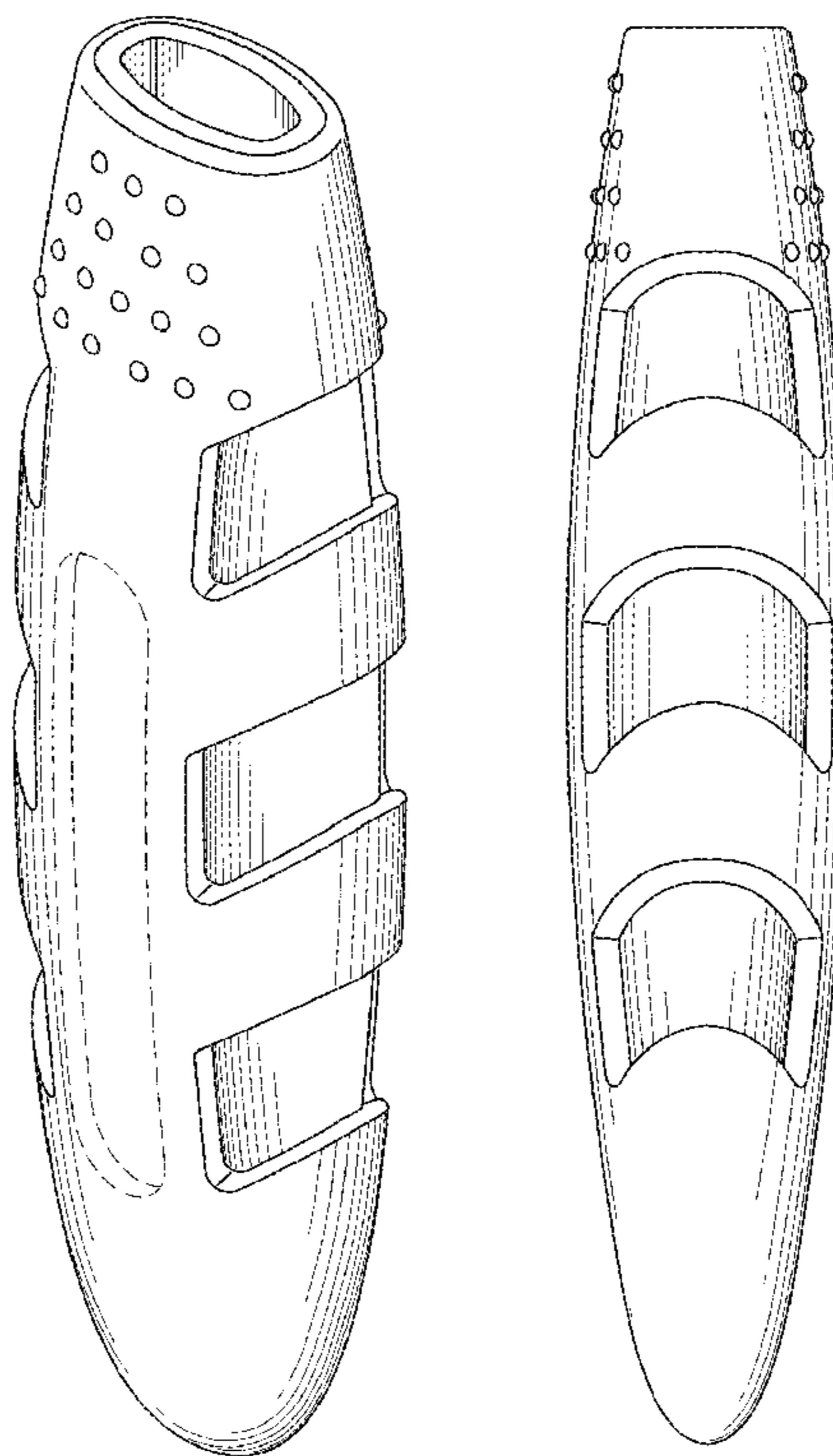
FIG. 6 is a top plan view thereof;

FIG. 7 is a bottom plan view thereof; and,

FIG. 8 is an environmental perspective view showing a tool handle sheath in use.

Further, the broken lines depicted in the figures are intended for the purposes of illustration only and are not a part of the design.

1 Claim, 7 Drawing Sheets



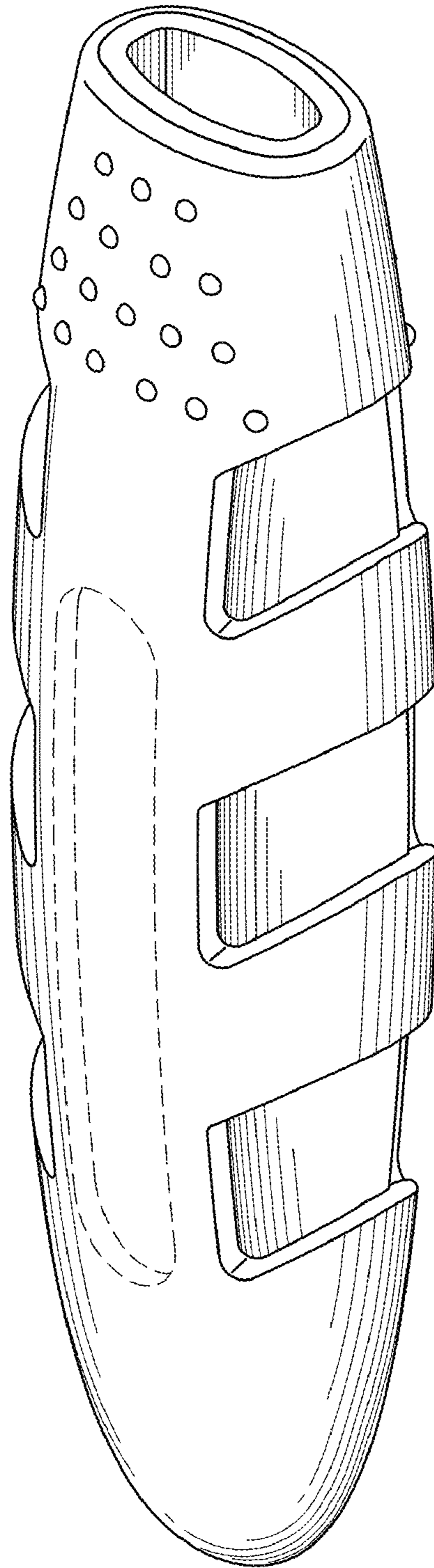


FIG. 1

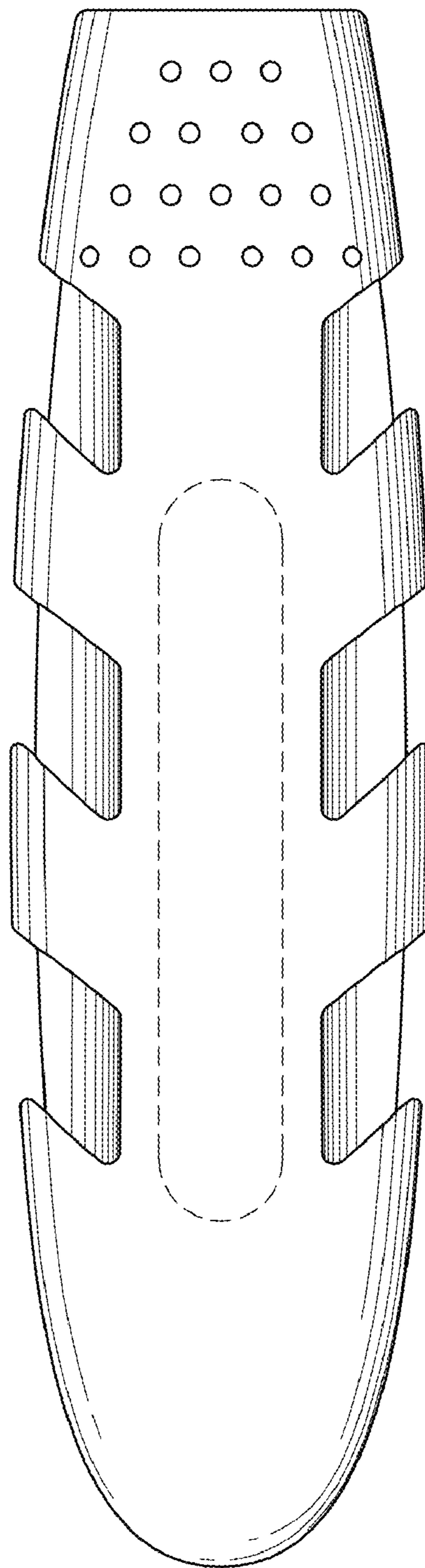


FIG. 2

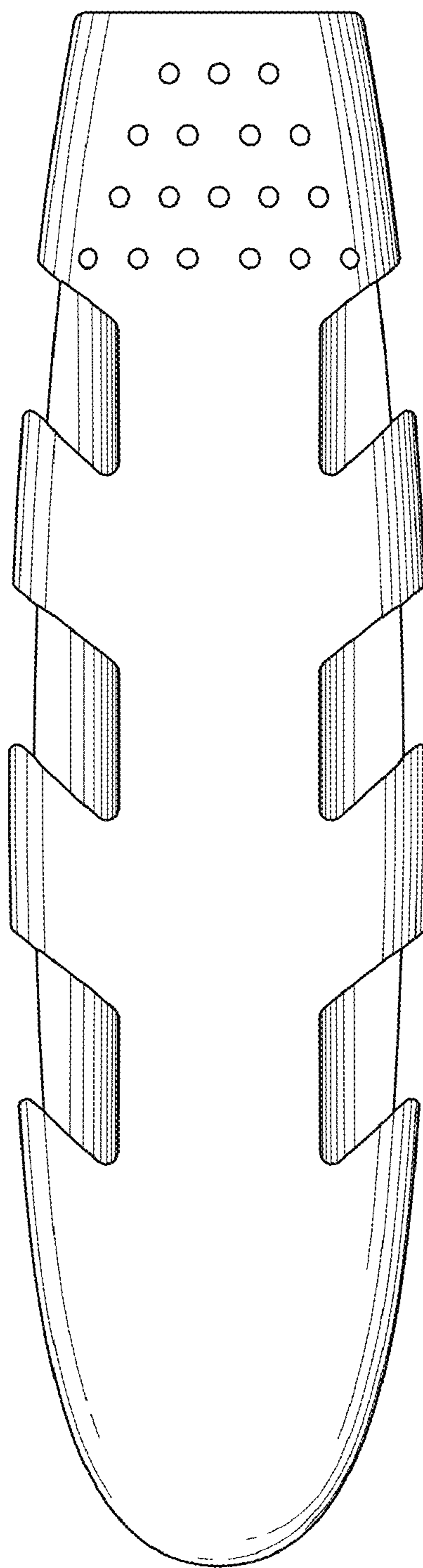


FIG. 3

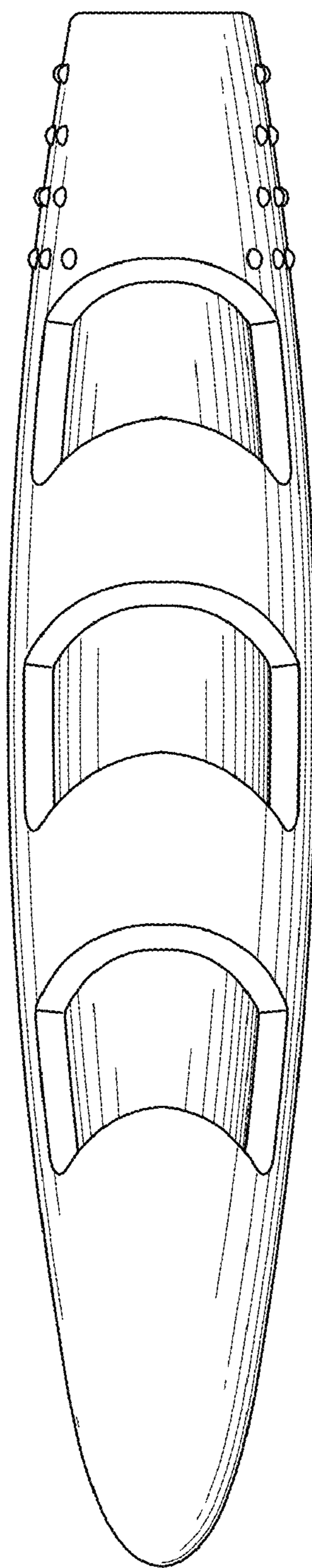


FIG. 4

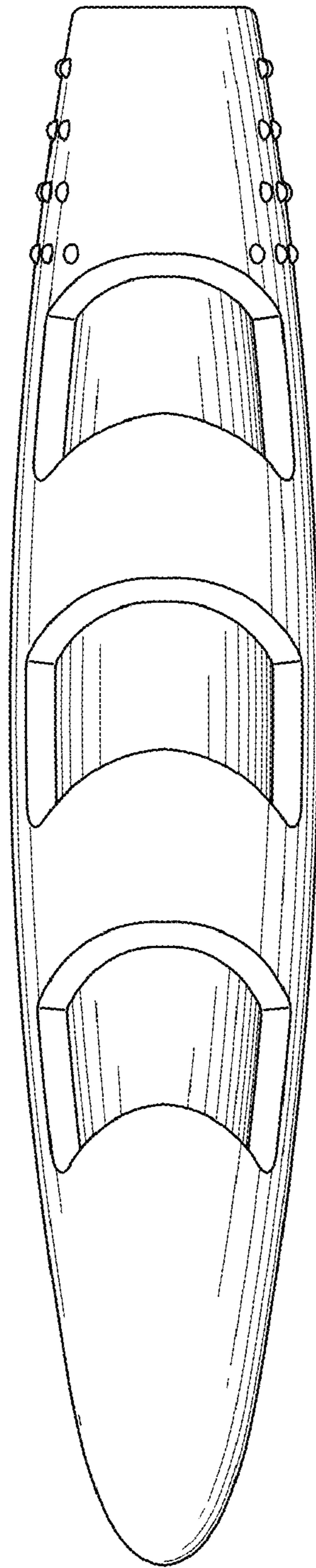


FIG. 5

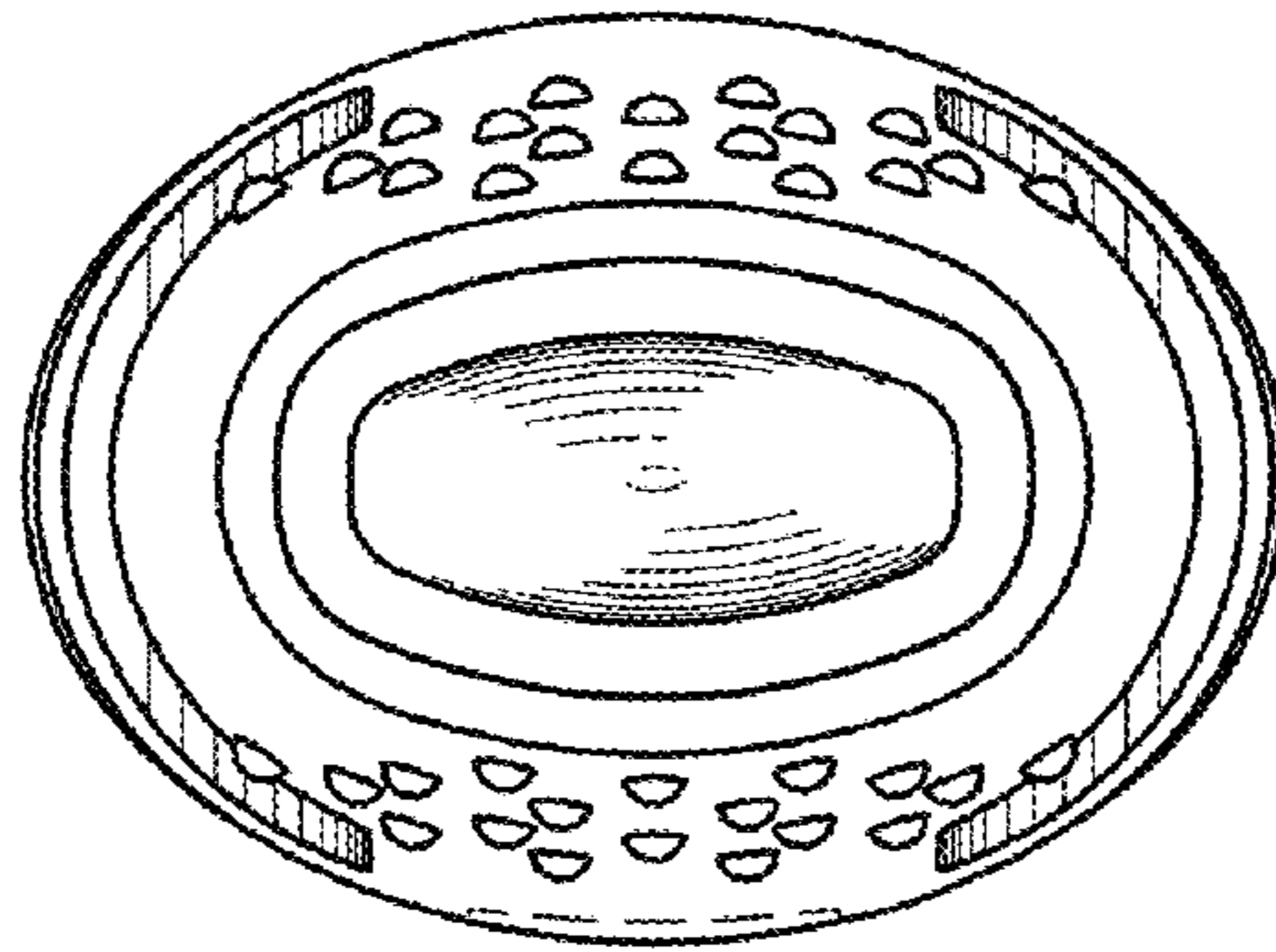


FIG. 6

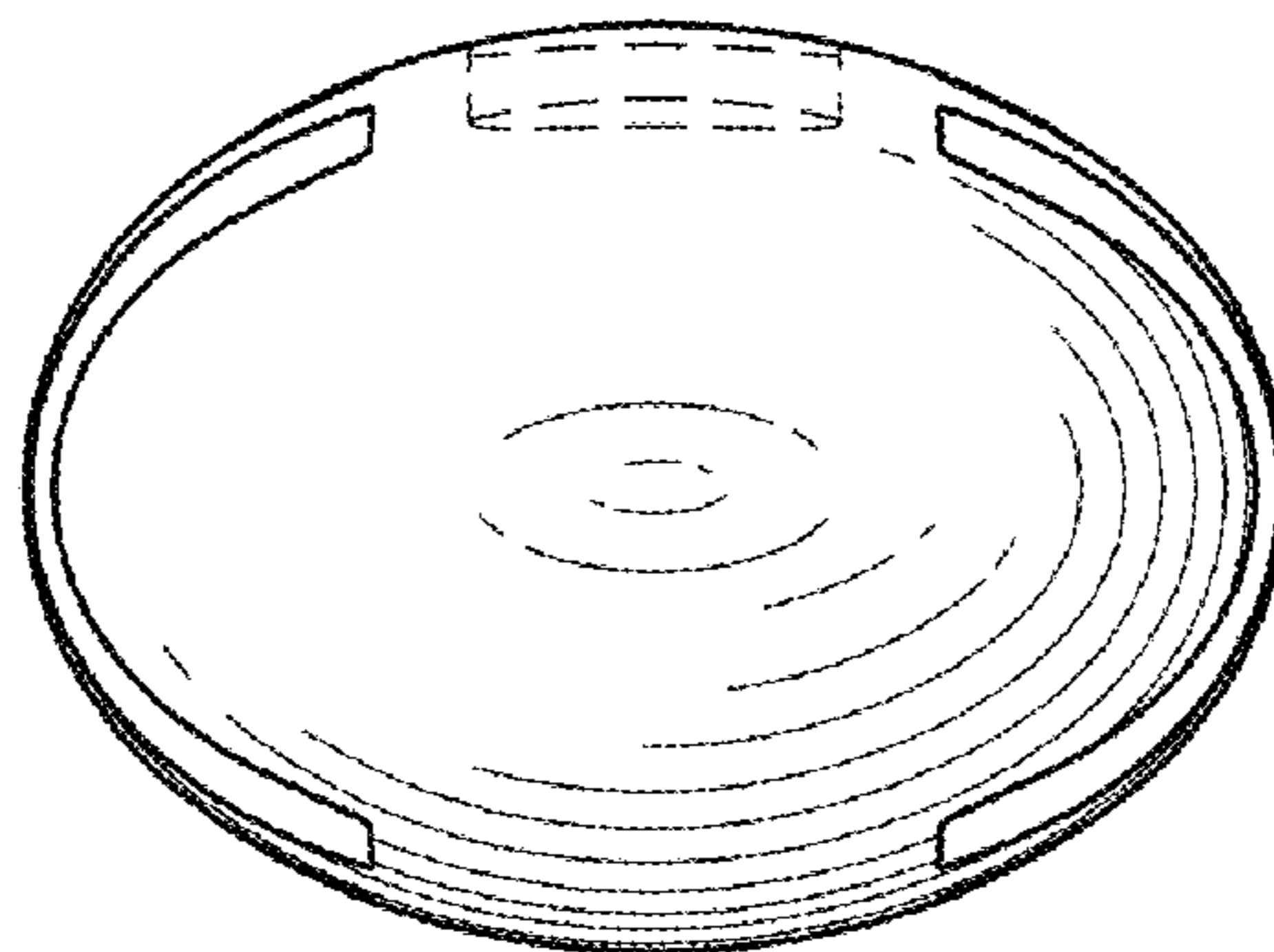


FIG. 7

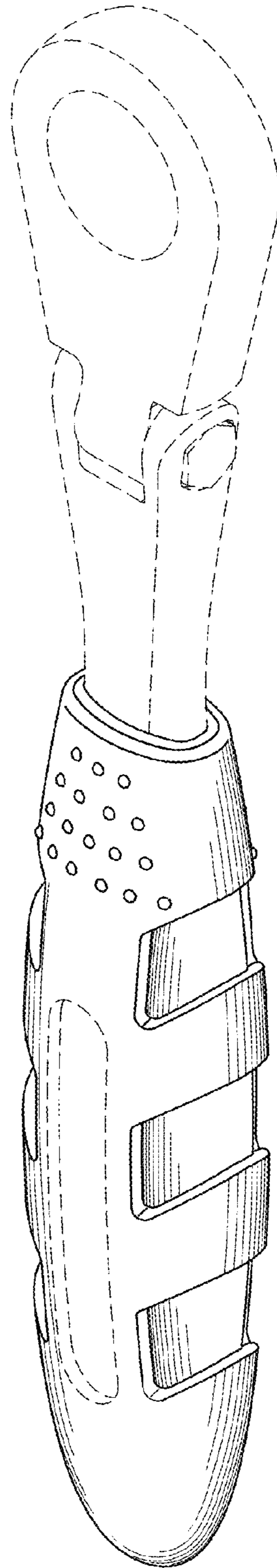


FIG. 8