



US00D678030S

(12) **United States Design Patent**
Iacampo, Sr. et al.

(10) **Patent No.:** **US D678,030 S**

(45) **Date of Patent:** **** *Mar. 19, 2013**

(54) **HANDLE FOR COMPRESSED AIR PLUNGER**

(76) Inventors: **Martin Iacampo, Sr.**, Chesterland, OH (US); **Anthony Fasanella**, Cypress, TX (US); **Michael Knight**, Grand Prairie, TX (US)

(*) Notice: This patent is subject to a terminal disclaimer.

(**) Term: **14 Years**

(21) Appl. No.: **29/401,959**

(22) Filed: **Sep. 19, 2011**

(51) **LOC (9) Cl.** **08-04**

(52) **U.S. Cl.** **D8/107**

(58) **Field of Classification Search** D8/107, D8/300, 30; D32/14; D15/7, 9, 17, 18, 138, D15/142; D4/114, 115, 199; 15/104.03, 15/104.05, 104.33, 104.32, 143.1; 16/110.1, 16/430

See application file for complete search history.

(56) **References Cited**

U.S. PATENT DOCUMENTS

1,053,007	A *	2/1913	Calvert	15/104.011
1,534,300	A *	4/1925	Coltrane	401/203
1,751,415	A *	3/1930	McCaffrey	15/104.33
D119,473	S *	3/1940	Jones	D8/30
2,230,101	A *	1/1941	Bakemeier	15/120.2
2,348,385	A *	5/1944	Houghton	239/530
3,076,904	A *	2/1963	Kuris et al.	310/26
D214,056	S *	5/1969	Trepanier	D15/144
D262,936	S *	2/1982	Nishiyama et al.	D32/40
D291,862	S *	9/1987	Kolonia	D8/107
4,771,500	A *	9/1988	Kovacs	15/104.33

D303,855	S *	10/1989	Moss	D32/14
5,132,513	A *	7/1992	Ingwersen et al.	219/137.31
5,159,769	A *	11/1992	Odorisio	37/278
D331,650	S *	12/1992	Newman, Sr.	D32/35
D334,517	S *	4/1993	Ingwersen et al.	D8/30
D343,629	S *	1/1994	Bode	D15/144
D347,498	S *	5/1994	Cannon	D32/14
5,791,006	A *	8/1998	Anctil	15/144.4
6,397,427	B1 *	6/2002	Bryngelsson	15/228
D496,512	S *	9/2004	Treacy	D32/51
D539,629	S *	4/2007	Demar et al.	D8/107
D542,112	S *	5/2007	Radle et al.	D8/107
D632,858	S *	2/2011	SgROI et al.	D32/41
D638,270	S *	5/2011	Flattinger et al.	D8/30

* cited by examiner

Primary Examiner — Paula Greene

(74) *Attorney, Agent, or Firm* — Howard M. Cohn

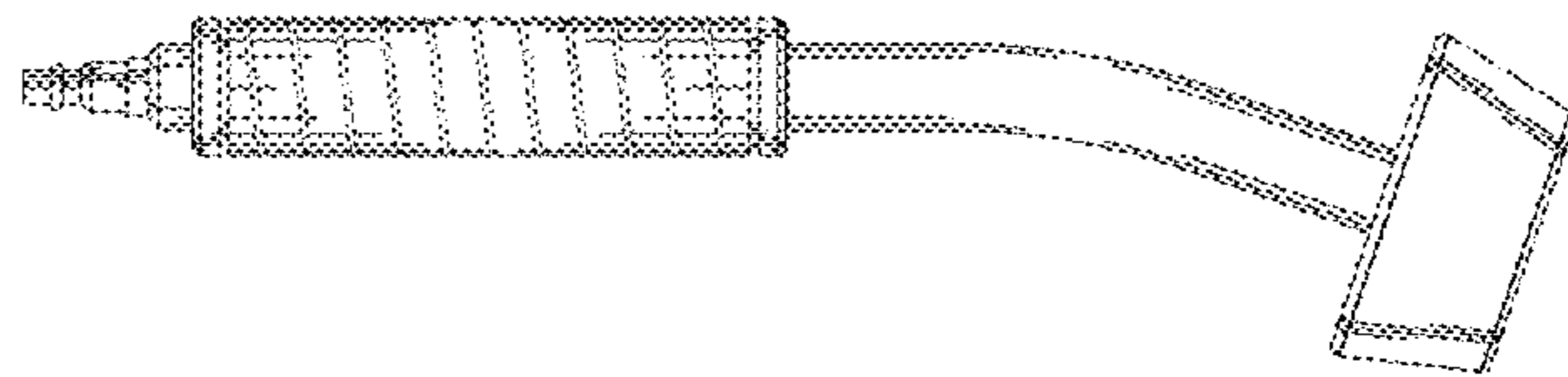
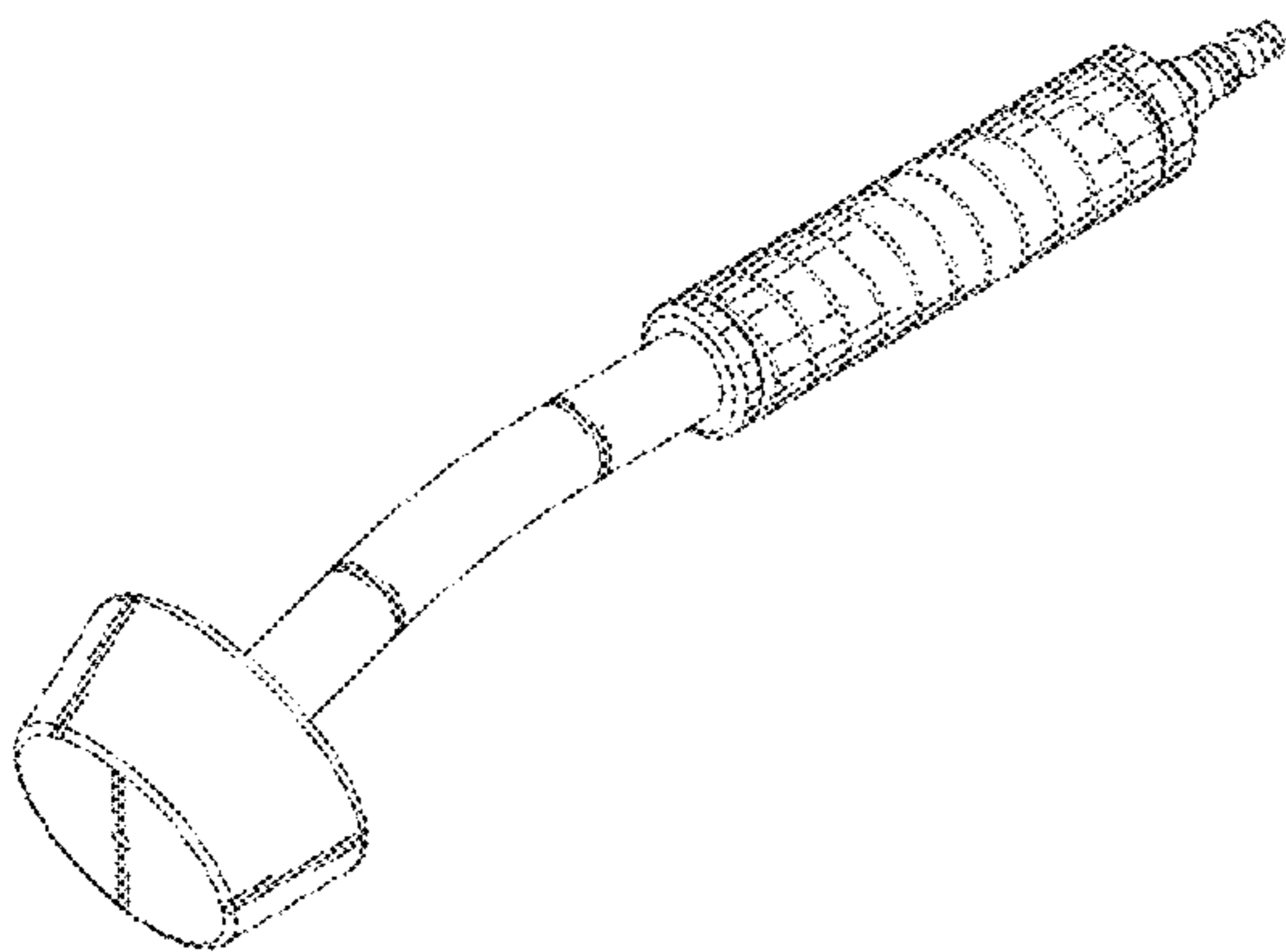
(57) **CLAIM**

We claim the ornamental design of a handle for compressed air plunger, as shown and described.

DESCRIPTION

FIG. 1 is a left side, perspective view of a plunger handle; FIG. 2 is a top plan view of a plunger handle; FIG. 3 is a right side elevational view of a plunger handle; FIG. 4 is a left side elevational view of a plunger handle. FIG. 5 is a bottom plan view of a plunger handle; FIG. 6 is a left side elevational view of a plunger handle; and, FIG. 7 is a right side elevational view of a plunger handle. The portion of the plunger handle depicted in the figure's broken lines forms no part of the claimed design. The surface shading represents the surface of the plunger handle.

1 Claim, 4 Drawing Sheets



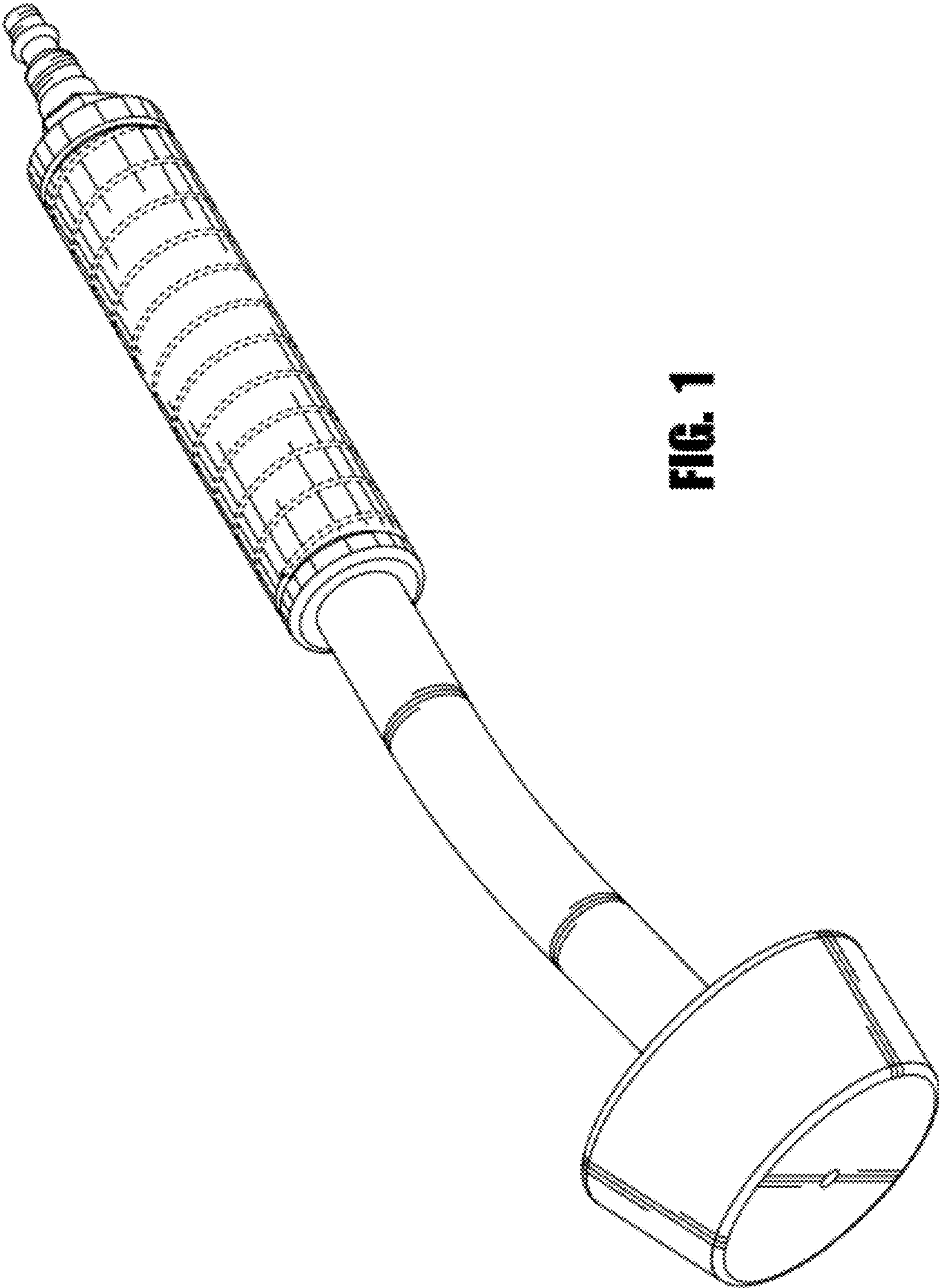


FIG. 1

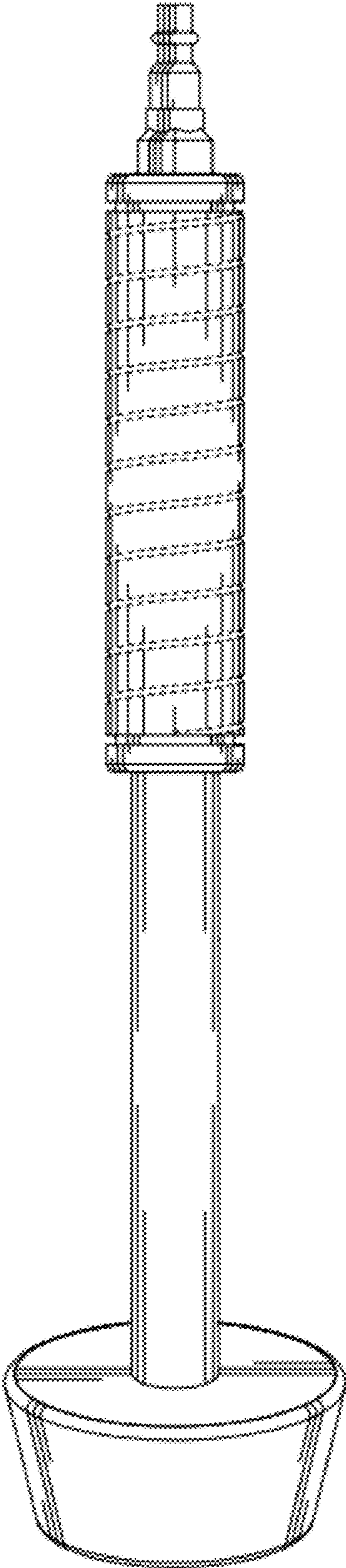


FIG. 2

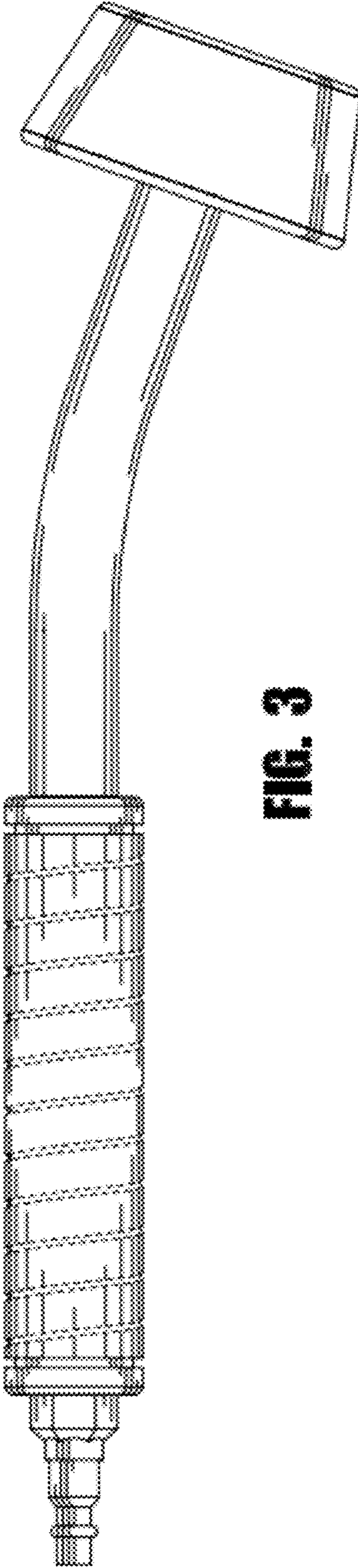


FIG. 3

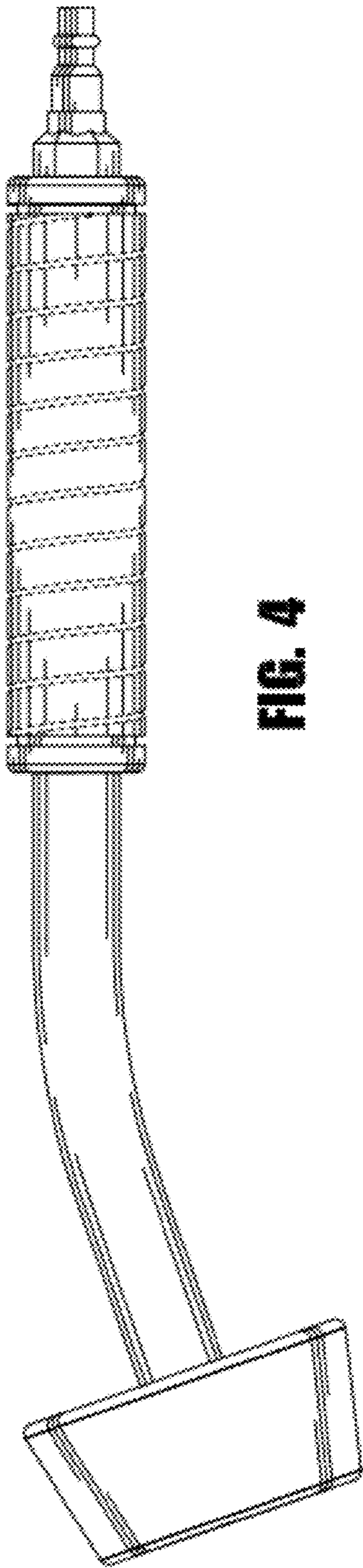


FIG. 4

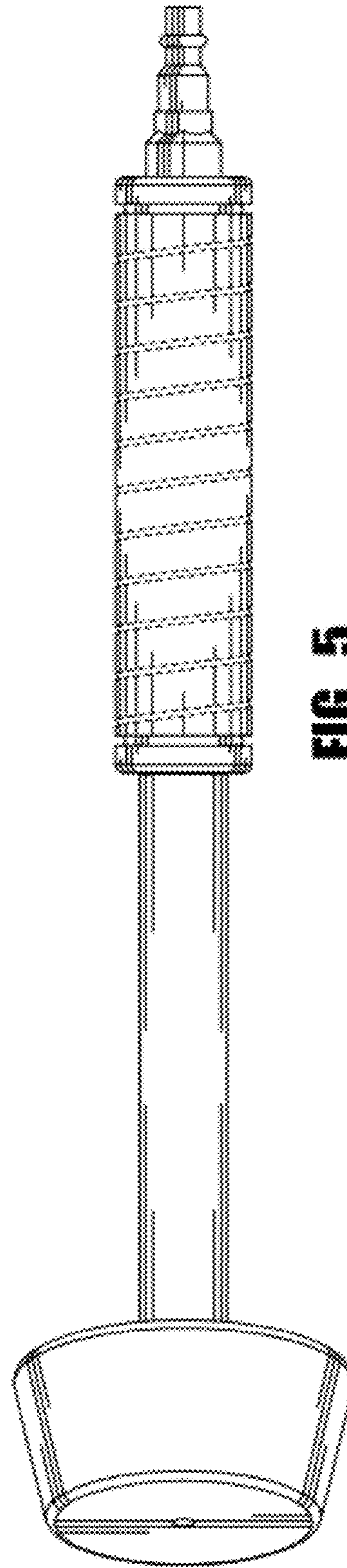


FIG. 5

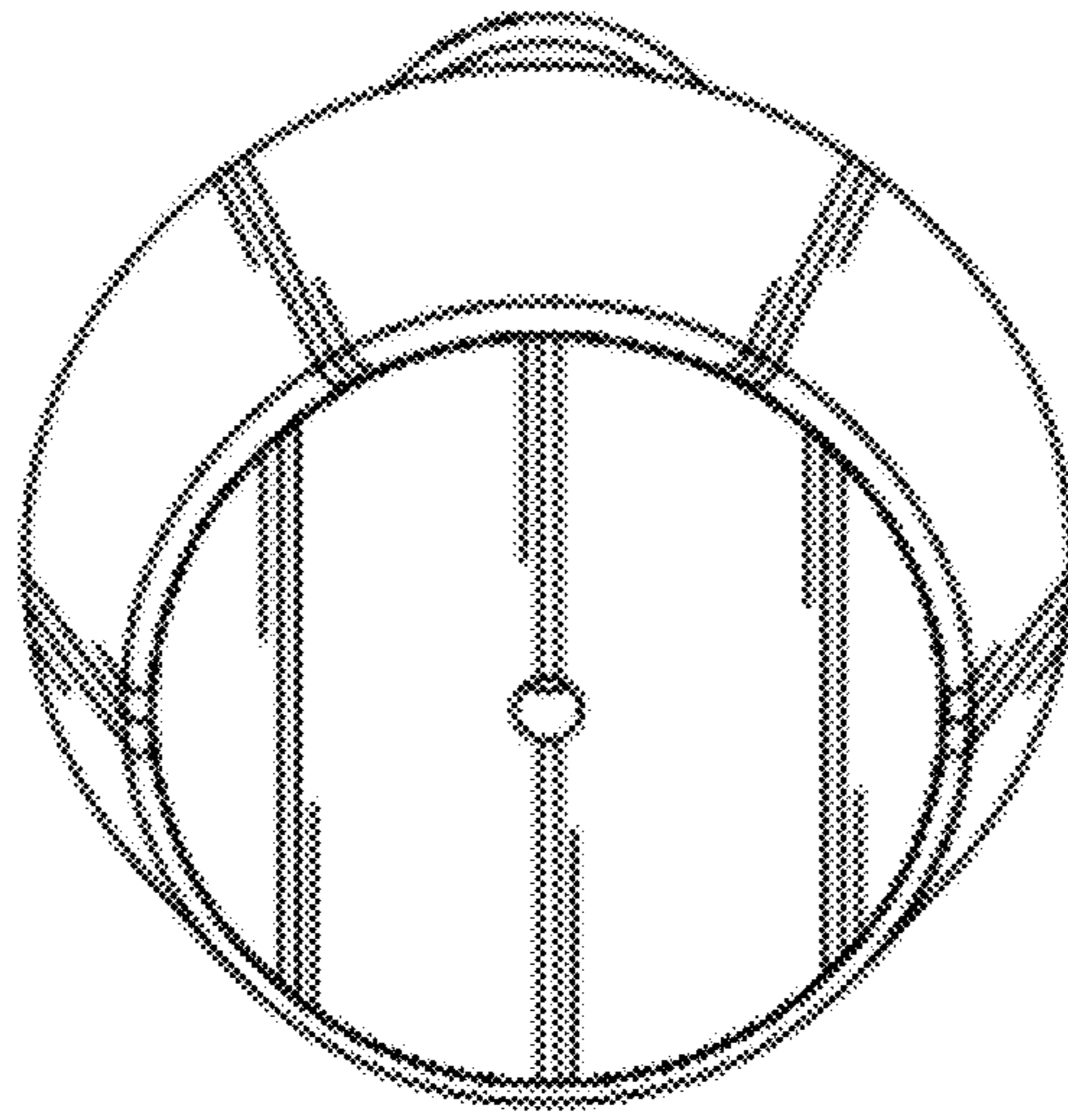


FIG. 6

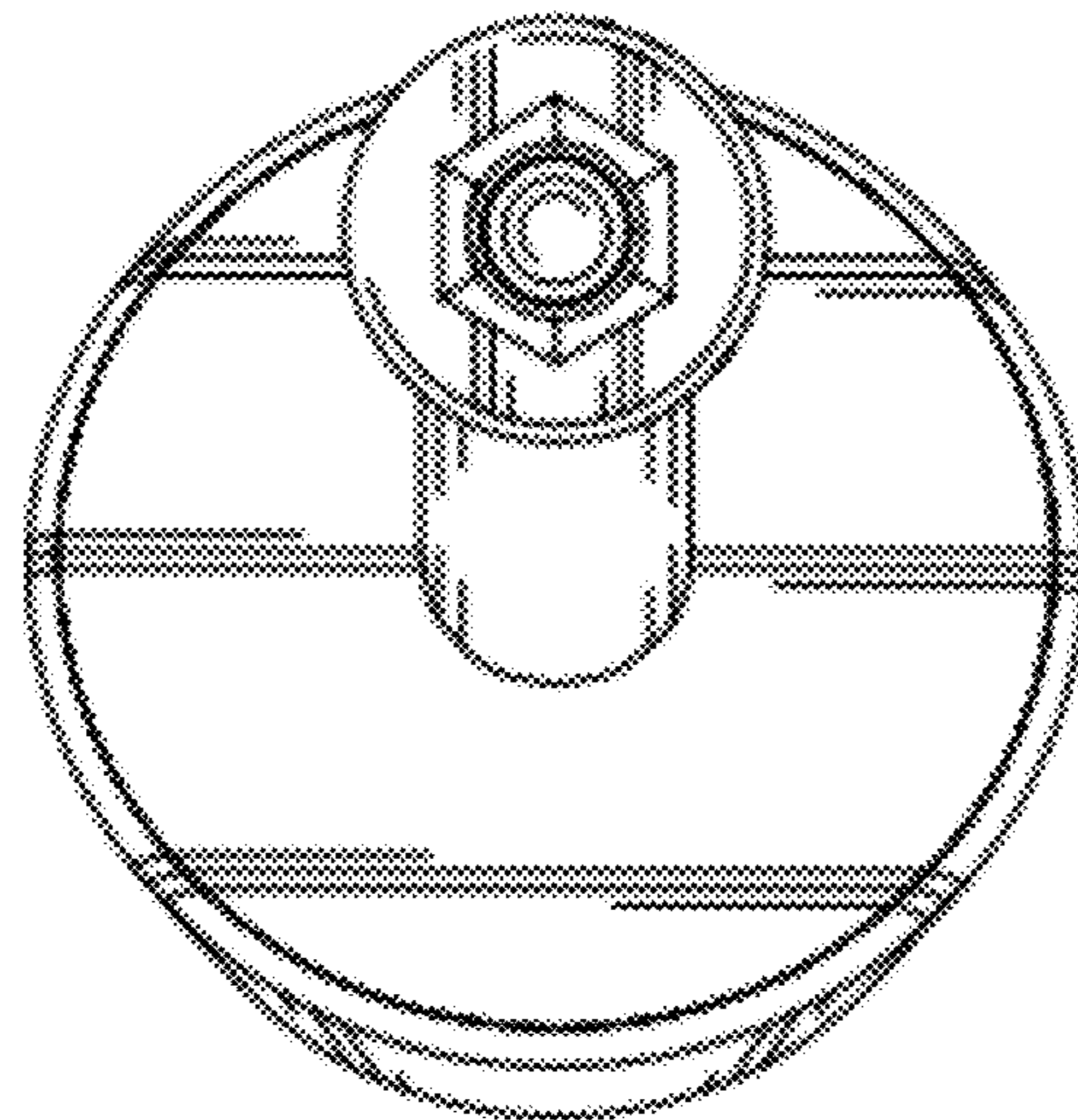


FIG. 7