

US00D678027S

(12) **United States Design Patent**
Jerabek et al.

(10) **Patent No.:** **US D678,027 S**
(45) **Date of Patent:** **** Mar. 19, 2013**

(54) **BRAD NAILER**

(75) Inventors: **Jesse J. Jerabek**, Anderson, SC (US);
Hans E. Nutz, Easley, SC (US)

(73) Assignee: **Techtronic Power Tools Technology Limited**, Tortola (VG)

(**) Term: **14 Years**

(21) Appl. No.: **29/409,061**

(22) Filed: **Dec. 20, 2011**

(51) **LOC (9) Cl.** **08-05**

(52) **U.S. Cl.** **D8/68; D8/69**

(58) **Field of Classification Search** D8/61,
D8/68, 69; 227/8, 10, 19, 107, 109, 110,
227/111, 120, 130, 134, 135, 141, 142; 60/632
See application file for complete search history.

(56) **References Cited**

U.S. PATENT DOCUMENTS

D432,882	S	*	10/2000	Matsuoka et al.	D8/68
D435,769	S	*	1/2001	Etter et al.	D8/68
D462,884	S	*	9/2002	Oh	D8/69
D475,597	S	*	6/2003	Arai	D8/68
D477,513	S	*	7/2003	Bor	D8/68
D477,760	S	*	7/2003	Chang	D8/68
D477,762	S	*	7/2003	Bor	D8/68
D478,490	S	*	8/2003	Wu	D8/68
D479,110	S	*	9/2003	Nolan et al.	D8/68
D497,091	S	*	10/2004	Leasure	D8/68
D498,127	S	*	11/2004	Leasure	D8/68
D500,654	S	*	1/2005	Leasure et al.	D8/69
6,929,165	B1	*	8/2005	Chen et al.	227/8
D514,412	S	*	2/2006	Lawrence et al.	D8/68
D517,886	S	*	3/2006	Thomas et al.	D8/69
D549,062	S	*	8/2007	Buck	D8/69
D553,931	S	*	10/2007	Buck	D8/68
D572,556	S	*	7/2008	Leasure	D8/69
D575,608	S	*	8/2008	Buck	D8/69

D591,131	S	*	4/2009	Buck	D8/69
D633,354	S	*	3/2011	Buck	D8/69
8,235,270	B2	*	8/2012	Gosis et al.	227/19
2006/0273132	A1	*	12/2006	Leasure et al.	227/120
2009/0178819	A1	*	7/2009	Schnell et al.	173/169
2011/0315736	A1	*	12/2011	Leimbach et al.	227/8
2012/0192440	A1	*	8/2012	Jerabek et al.	30/393

OTHER PUBLICATIONS

Ridgid 2-1/8 in. 18-Gauge Brad Nailer R213BNA, Home Depot, Retrieved from Internet on Mar. 20, 2012 <URL: http://www.homedepot.com/Tools-Hardware-Air-Nailers-Nails/RIDGID/h_d1/N-5yc1vZbI93Z18g/R-100348528/h_d2/ProductDisplay?catalogId=10053&langId=-1&storeId=10051>.

* cited by examiner

Primary Examiner — Philip S Hyder

Assistant Examiner — John T Applewhite

(74) *Attorney, Agent, or Firm* — Michael Best & Friedrich LLP

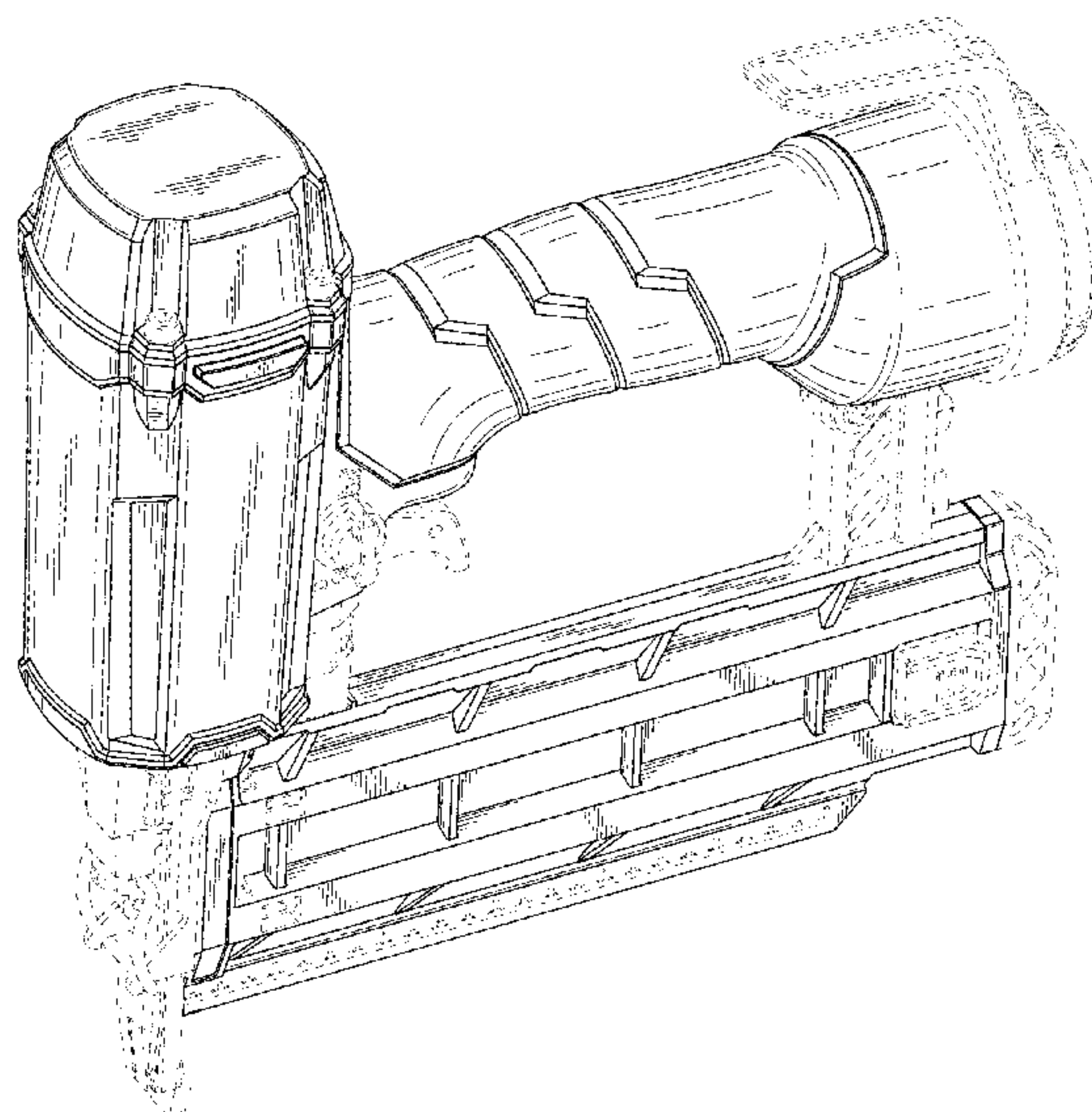
(57) **CLAIM**

We claim the ornamental design for a brad nailer, as shown and described.

DESCRIPTION

FIG. 1 is a front perspective view of the brad nailer showing my new design;
FIG. 2 is a left-side view of the brad nailer of FIG. 1.
FIG. 3 is a right-side view of the brad nailer of FIG. 1.
FIG. 4 is a front view of the brad nailer of FIG. 1.
FIG. 5 is a rear view of the brad nailer of FIG. 1.
FIG. 6 is a top view of the brad nailer of FIG. 1; and,
FIG. 7 is a bottom view of the brad nailer of FIG. 1.
The portions of the brad nailer shown in broken lines are included for the purpose of illustrating environment and form no part of the claimed design.

1 Claim, 5 Drawing Sheets



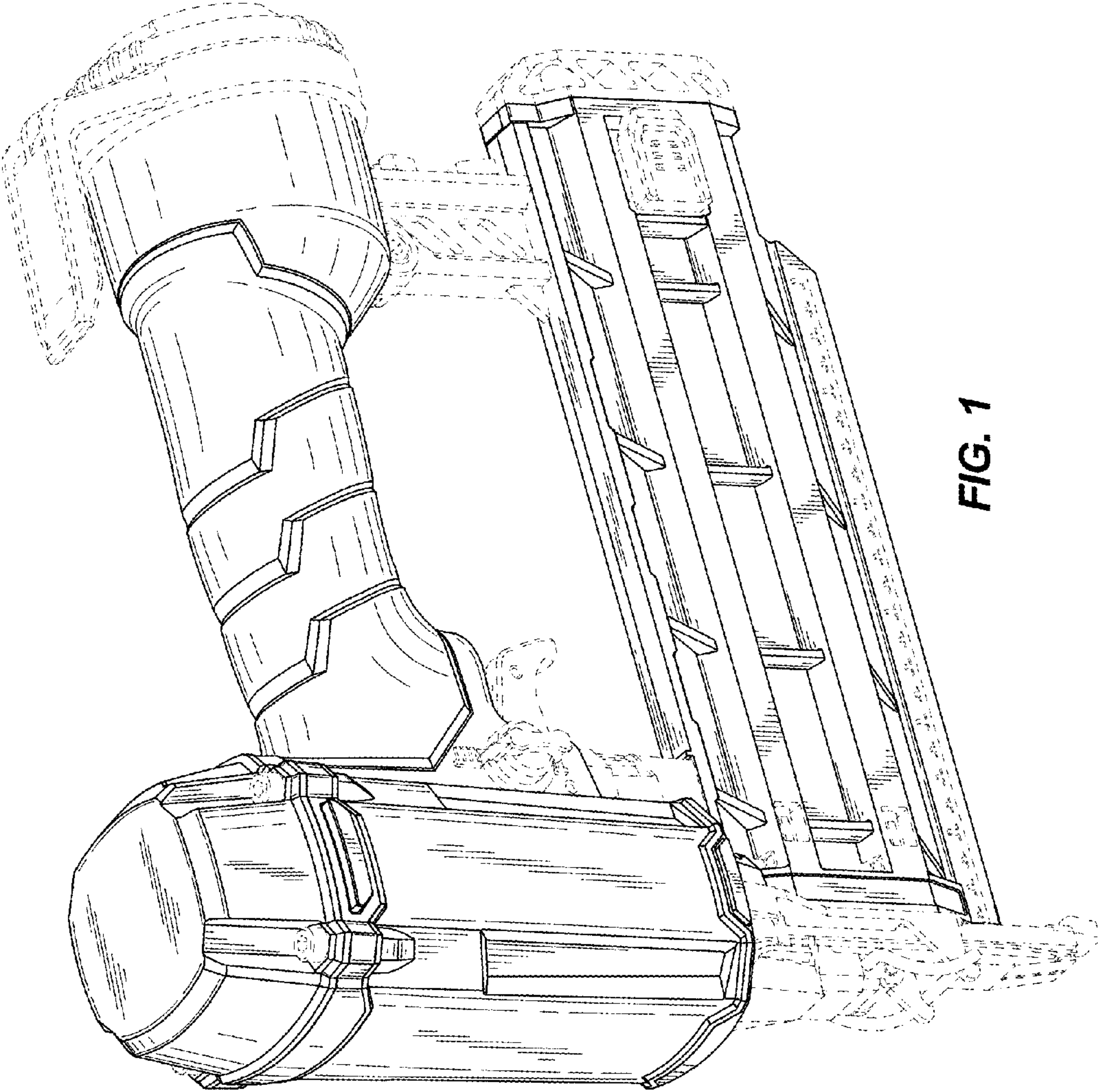


FIG. 1

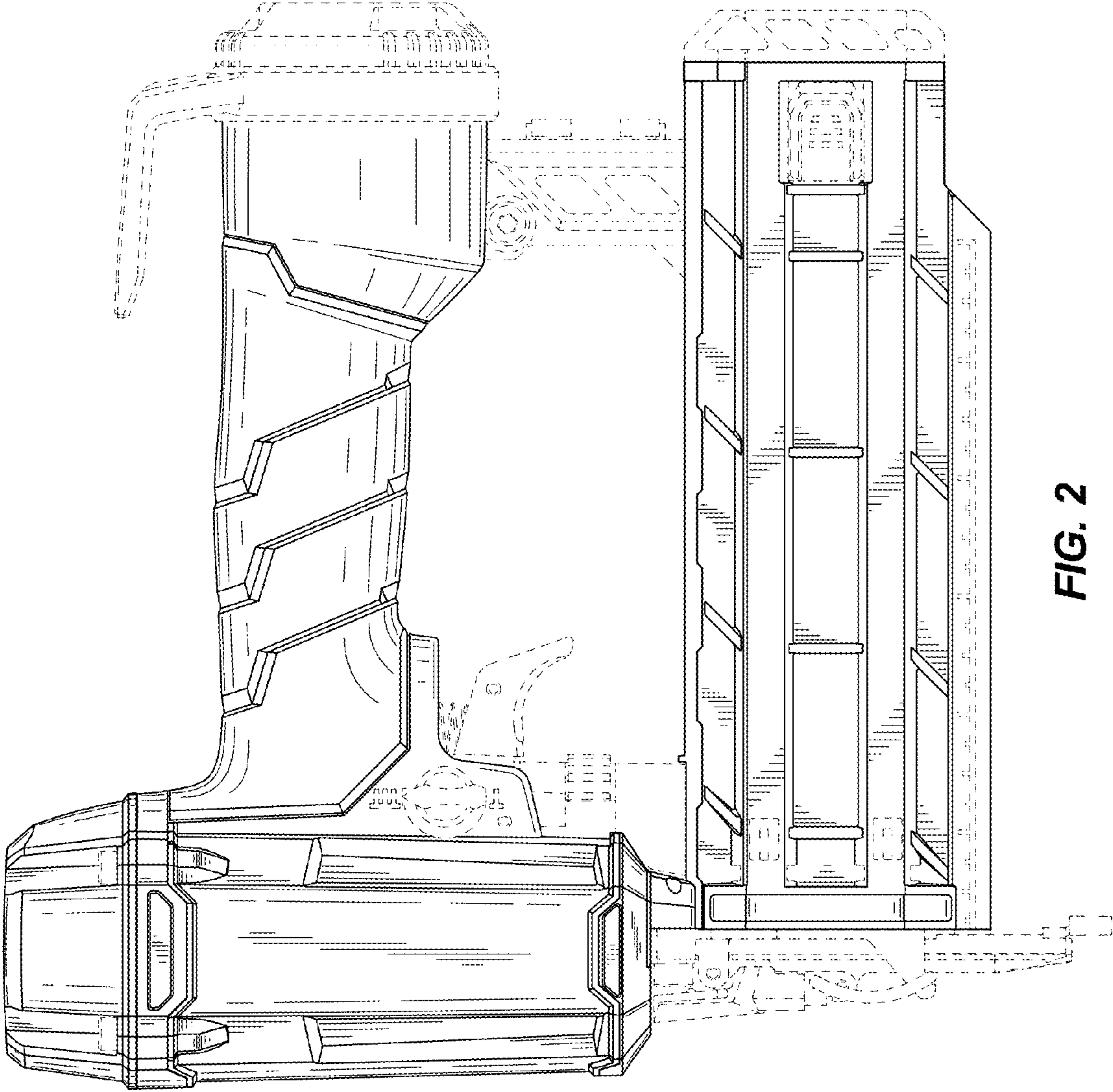


FIG. 2

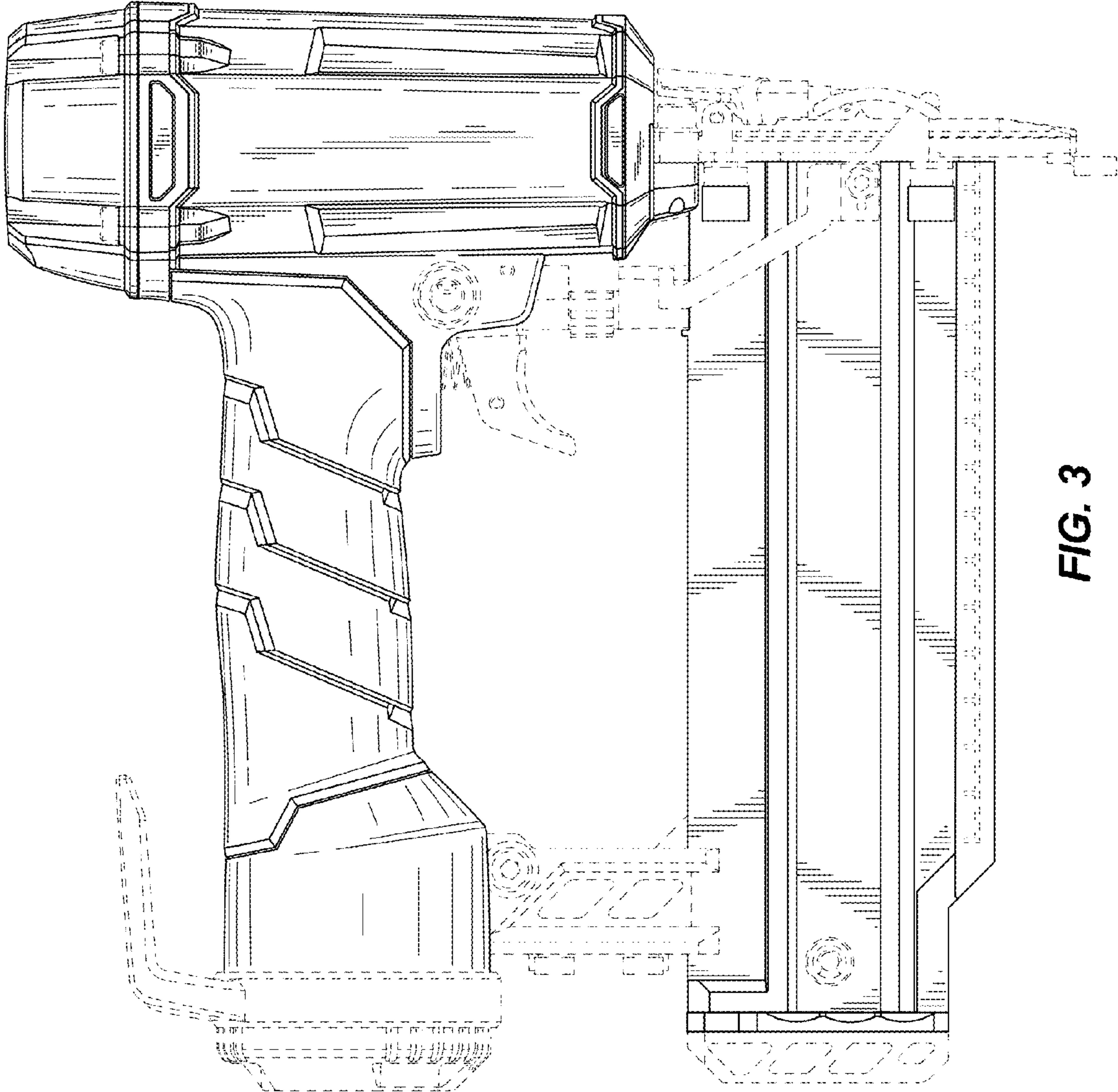


FIG. 3

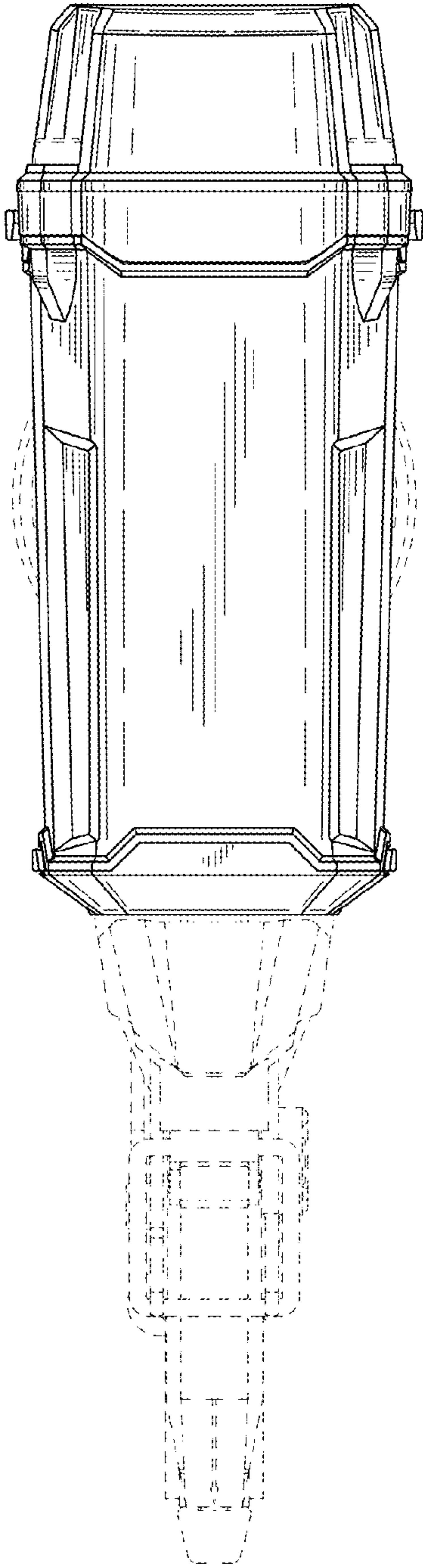


FIG. 4

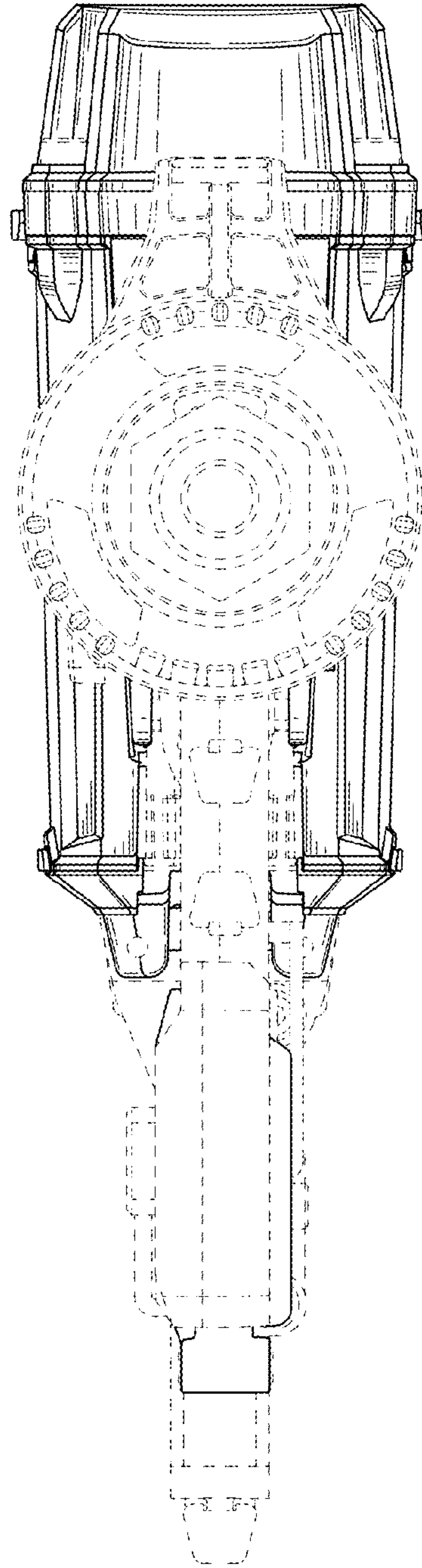


FIG. 5

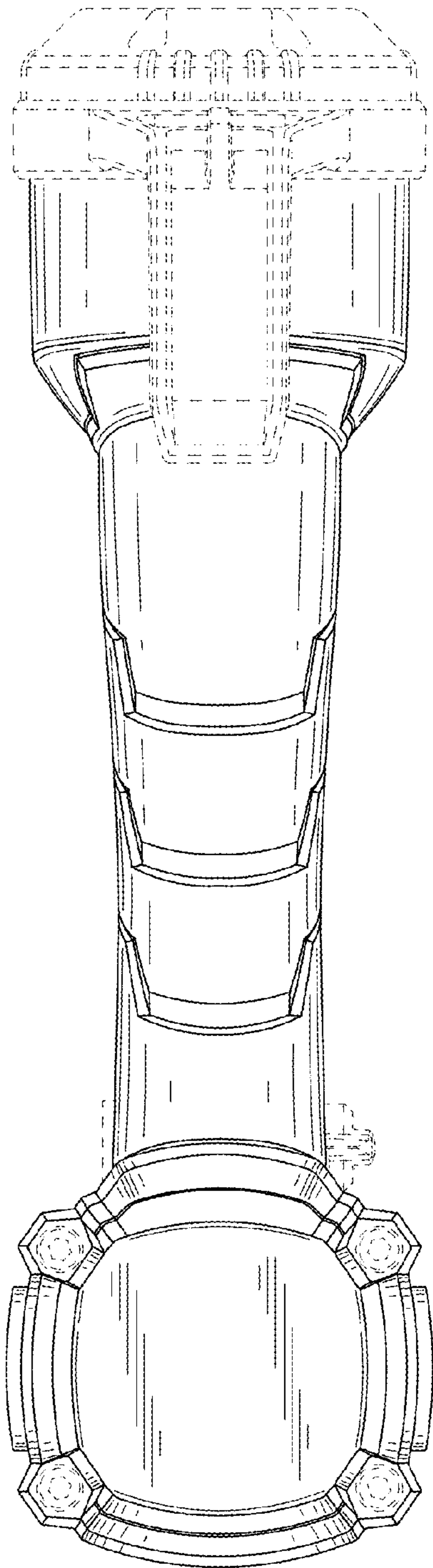


FIG. 6

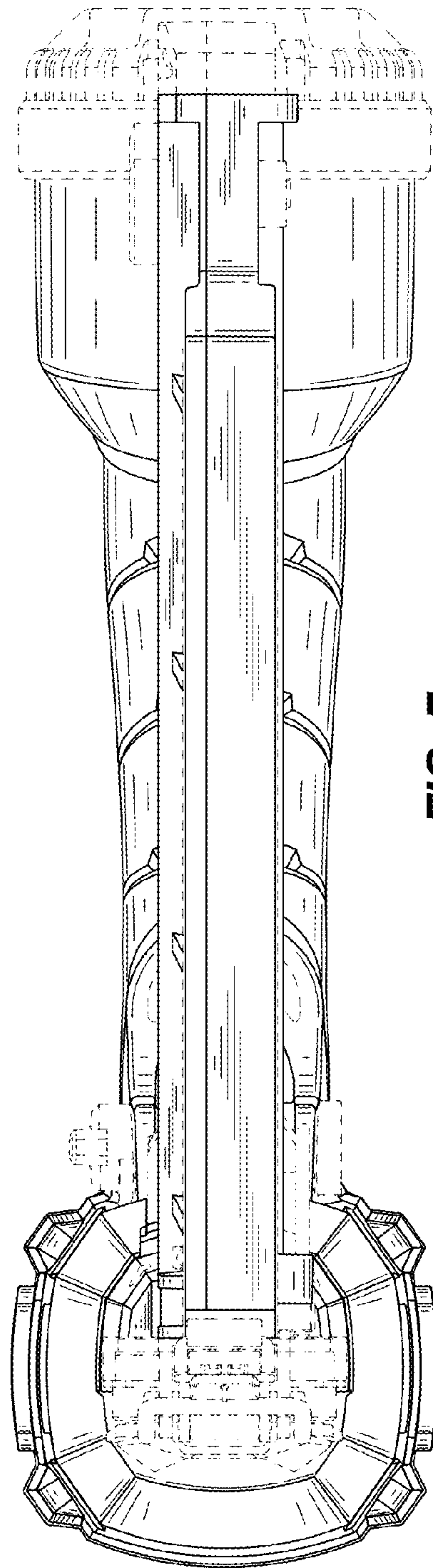


FIG. 7