



US00D678026S

(12) **United States Design Patent**
Buck et al.

(10) **Patent No.:** **US D678,026 S**
(45) **Date of Patent:** **** Mar. 19, 2013**

(54) **CORDLESS FRAMING NAILER**
(75) Inventors: **John E. Buck**, Cockeysville, MD (US);
Lee M. Brendel, Bel Air, MD (US);
Michael P. Baron, Phoenix, MD (US);
Larry E. Gregory, Baltimore, MD (US);
Paul G. Gross, White Marsh, MD (US)

(73) Assignee: **Black & Decker Inc.**, Newark, DE (US)

(**) Term: **14 Years**

(21) Appl. No.: **29/406,908**

(22) Filed: **Nov. 21, 2011**

(51) **LOC (9) Cl.** **08-03**

(52) **U.S. Cl.** **D8/68**

(58) **Field of Classification Search** D8/49,
D8/61-70; 81/54, 57.42, 57.11; 173/170;
227/8, 66, 130

See application file for complete search history.

(56) **References Cited**

U.S. PATENT DOCUMENTS

D338,606 S *	8/1993	Oda	D8/69
D406,999 S *	3/1999	Sover et al.	D8/69
D447,031 S *	8/2001	Oh	D8/63
D461,694 S *	8/2002	Buck	D8/68
D475,597 S *	6/2003	Arai	D8/68
D477,975 S *	8/2003	Lai	D8/68
D499,623 S *	12/2004	Buck	D8/68
D512,291 S *	12/2005	Thomas et al.	D8/69

D520,839 S *	5/2006	Miwa	D8/69
D540,136 S *	4/2007	Aguirre et al.	D8/69
D551,931 S *	10/2007	Leasure	D8/69
D575,607 S *	8/2008	Buck	D8/69
D618,976 S *	7/2010	Taniguchi et al.	D8/69

FOREIGN PATENT DOCUMENTS

EP	1645371	A1 *	4/2006
JP	2008036756	A *	2/2008
JP	2010023165	A *	2/2010
WO	WO 2007072785	A1 *	6/2007

* cited by examiner

Primary Examiner — Philip S Hyder

Assistant Examiner — Darlington Ly

(74) *Attorney, Agent, or Firm* — Rhonda L. Barton; Adan Ayala

(57) **CLAIM**

The ornamental design for a cordless framing nailer, as shown and described.

DESCRIPTION

FIG. 1 is a left perspective view of the cordless framing nailer.

FIG. 2 is a right perspective view thereof.

FIG. 3 is a bottom view thereof.

FIG. 4 is a top view thereof.

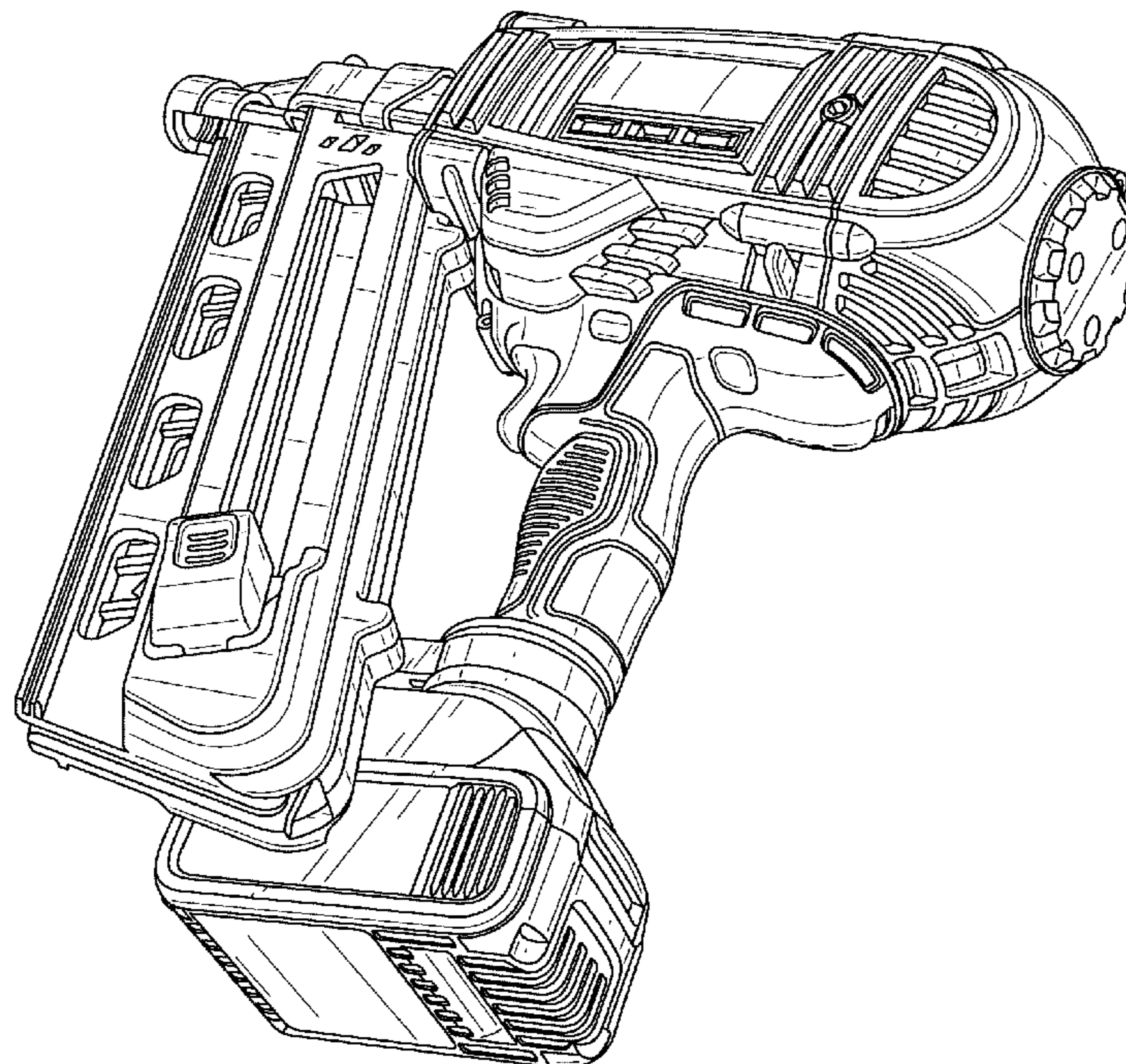
FIG. 5 is a right side view thereof.

FIG. 6 is a left side view thereof.

FIG. 7 is a front view thereof; and,

FIG. 8 is a rear view thereof.

1 Claim, 6 Drawing Sheets



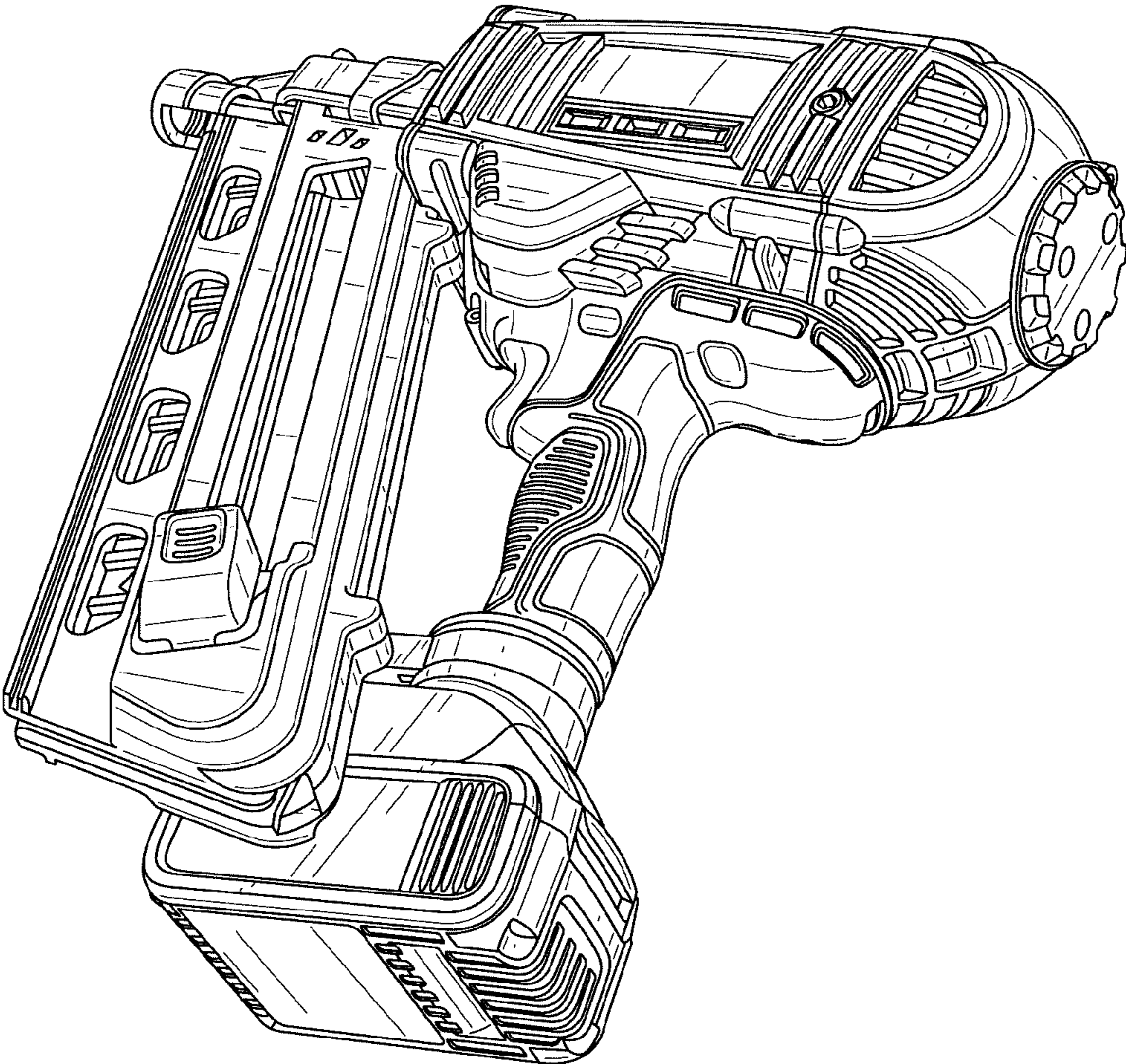


FIG. 1

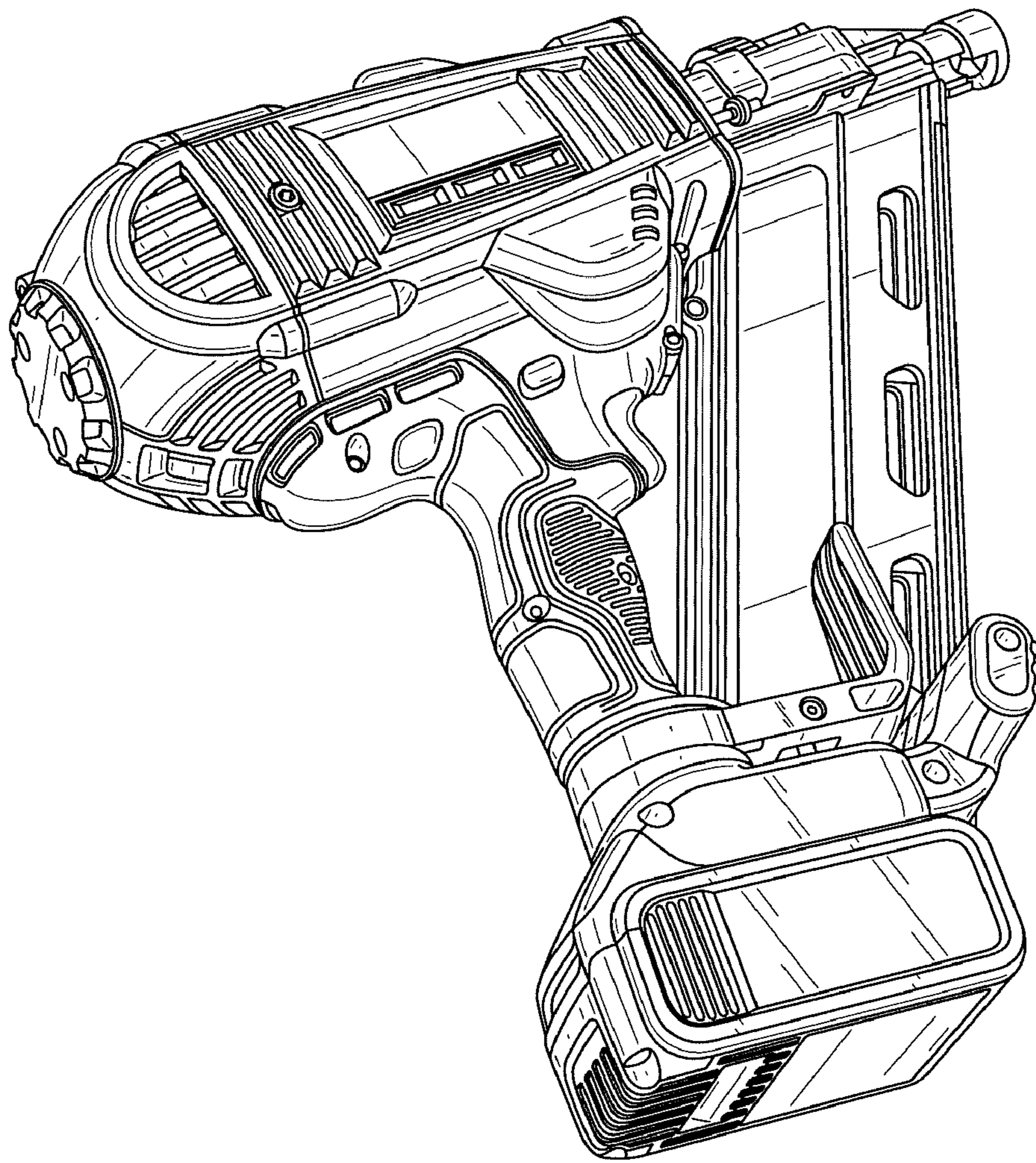


FIG. 2

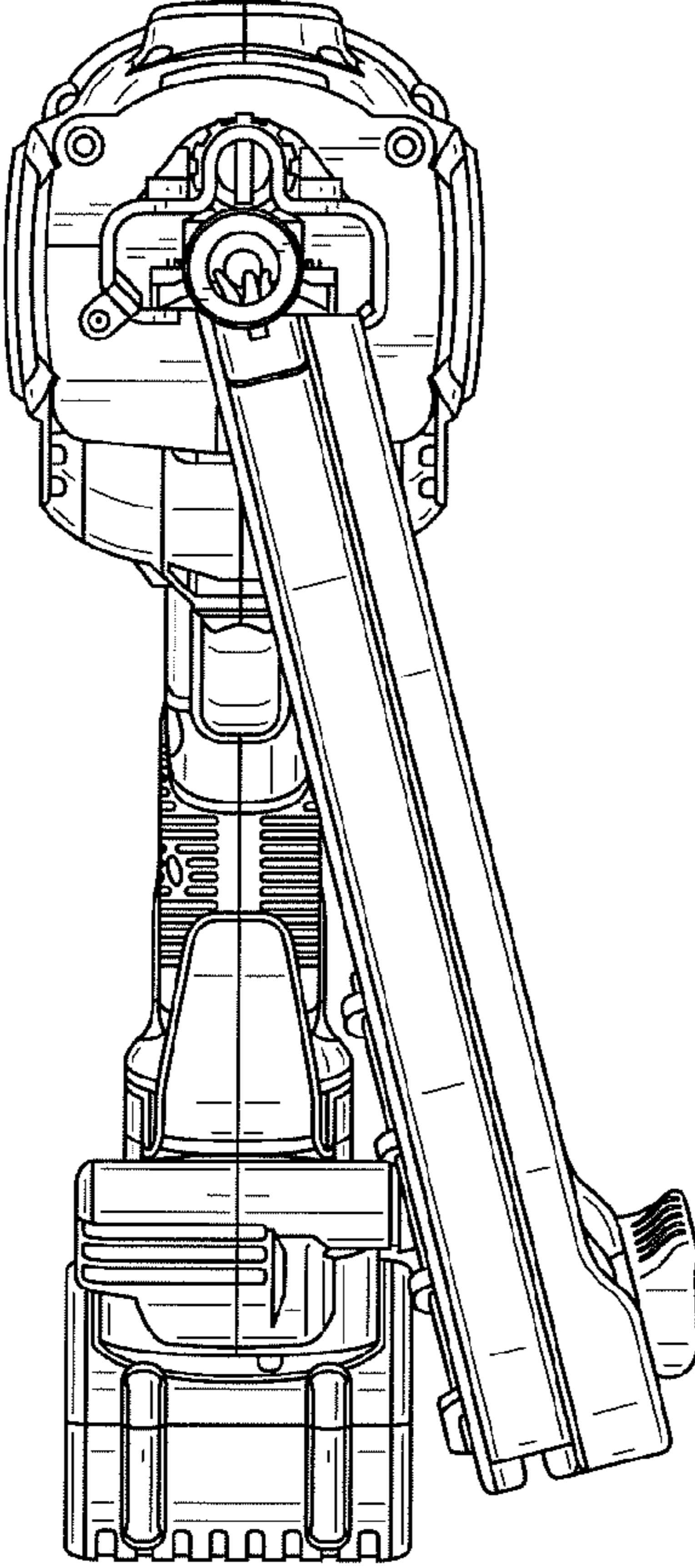


FIG. 3

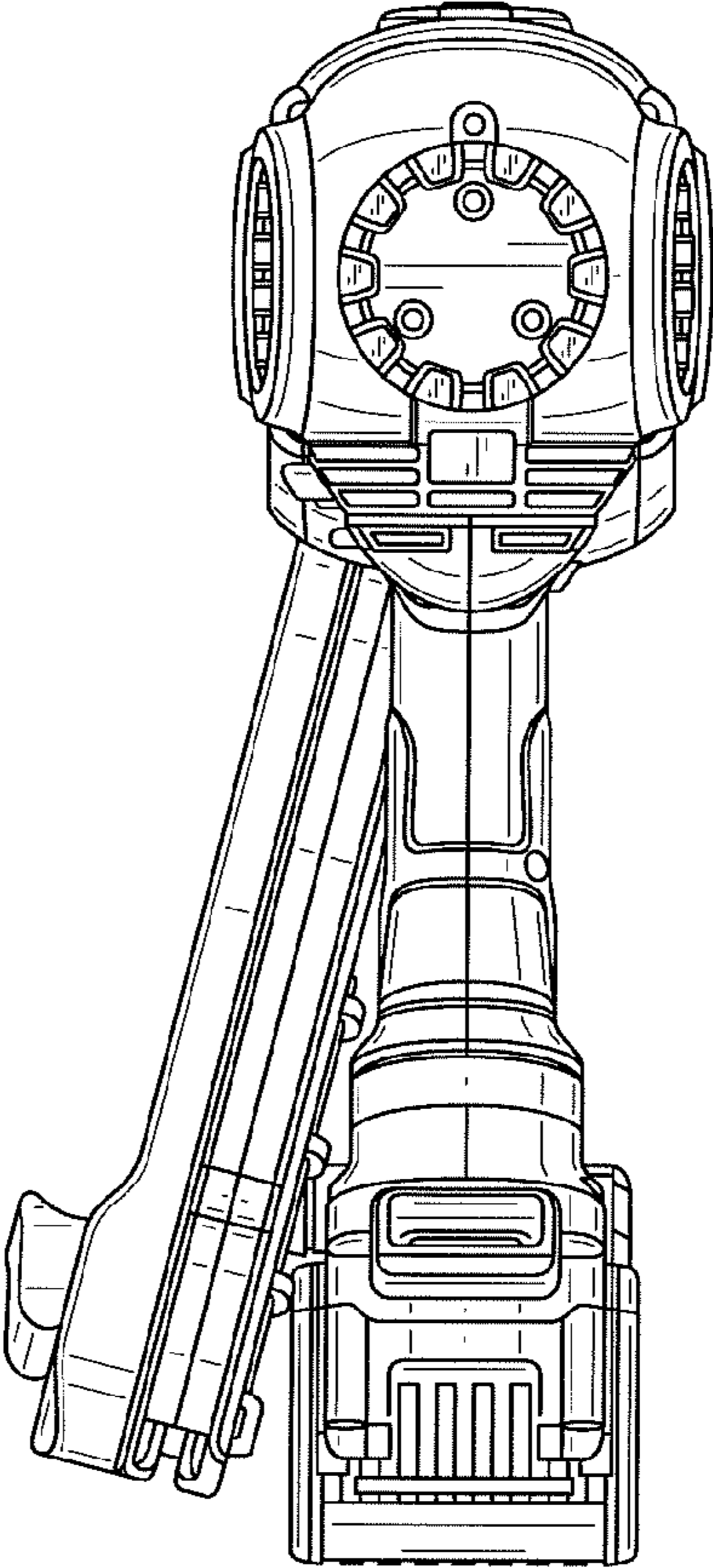


FIG. 4

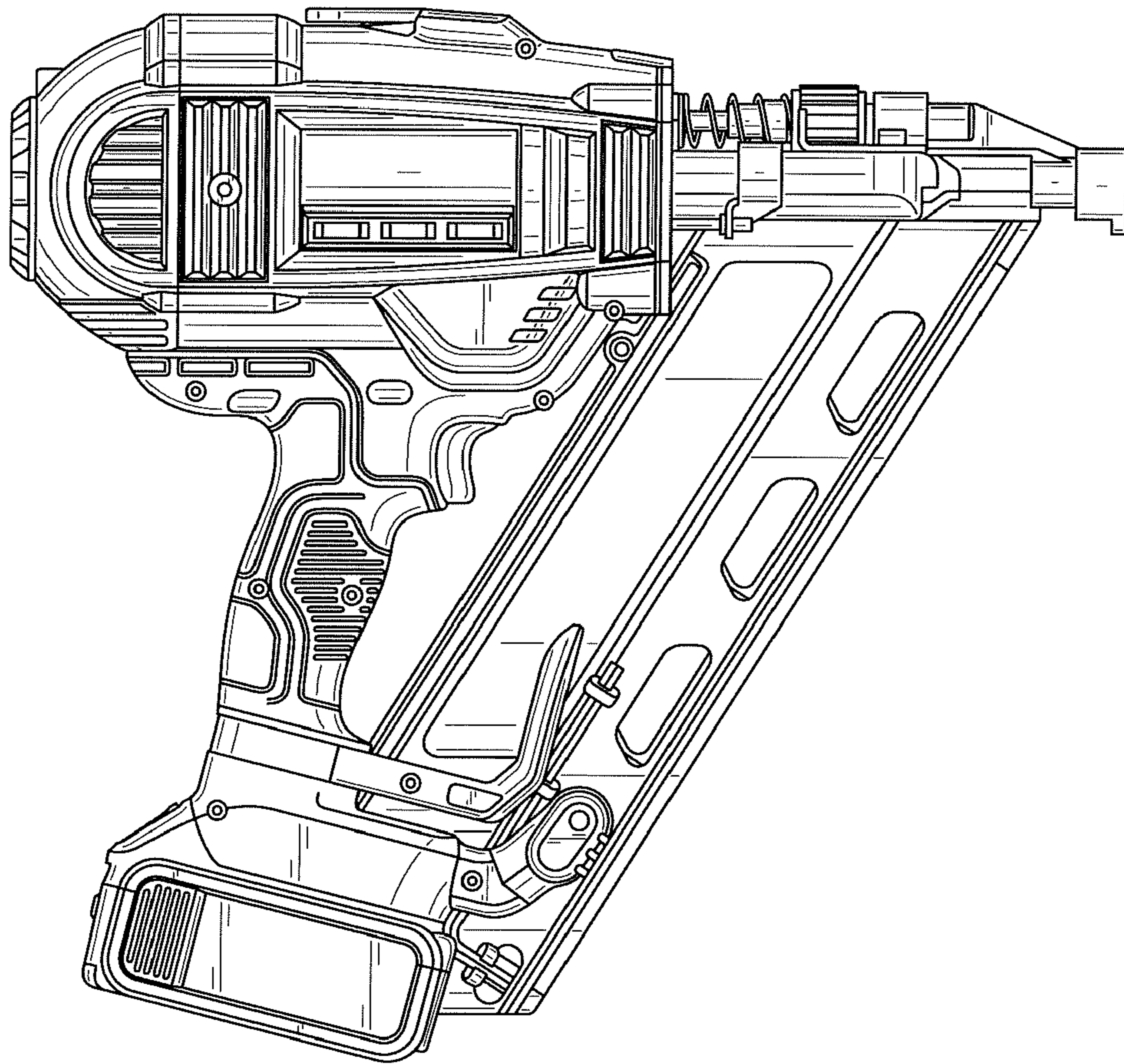


FIG. 5

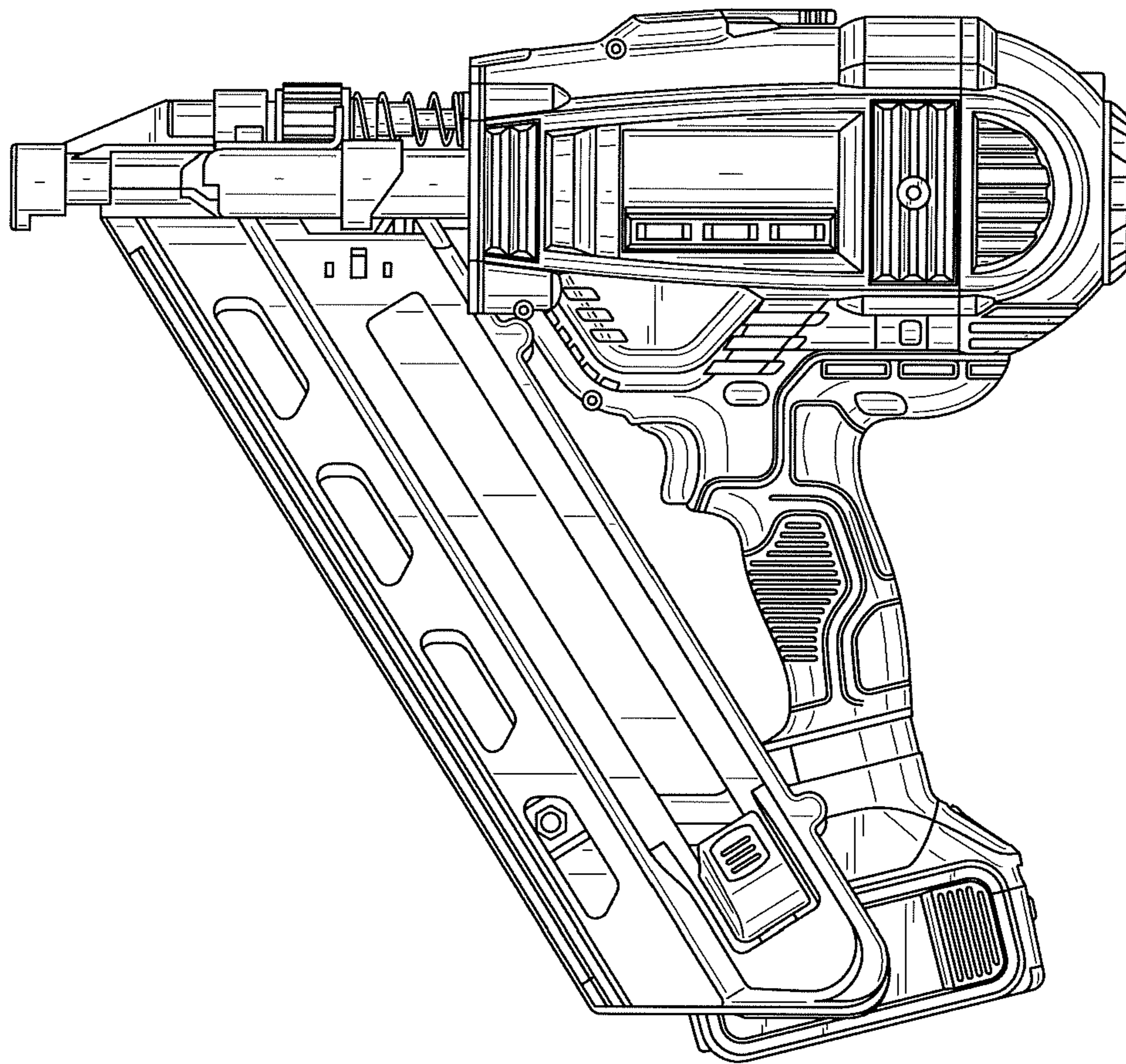


FIG. 6

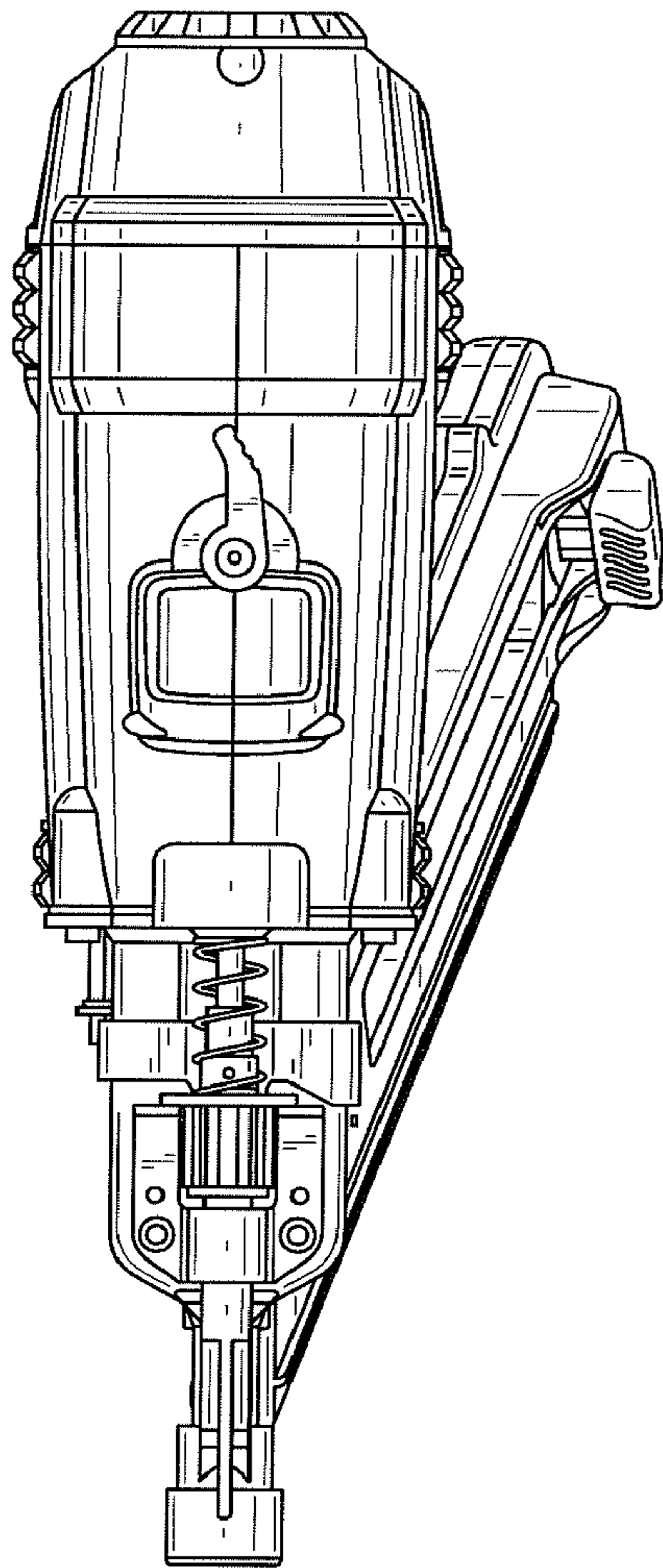


FIG. 7

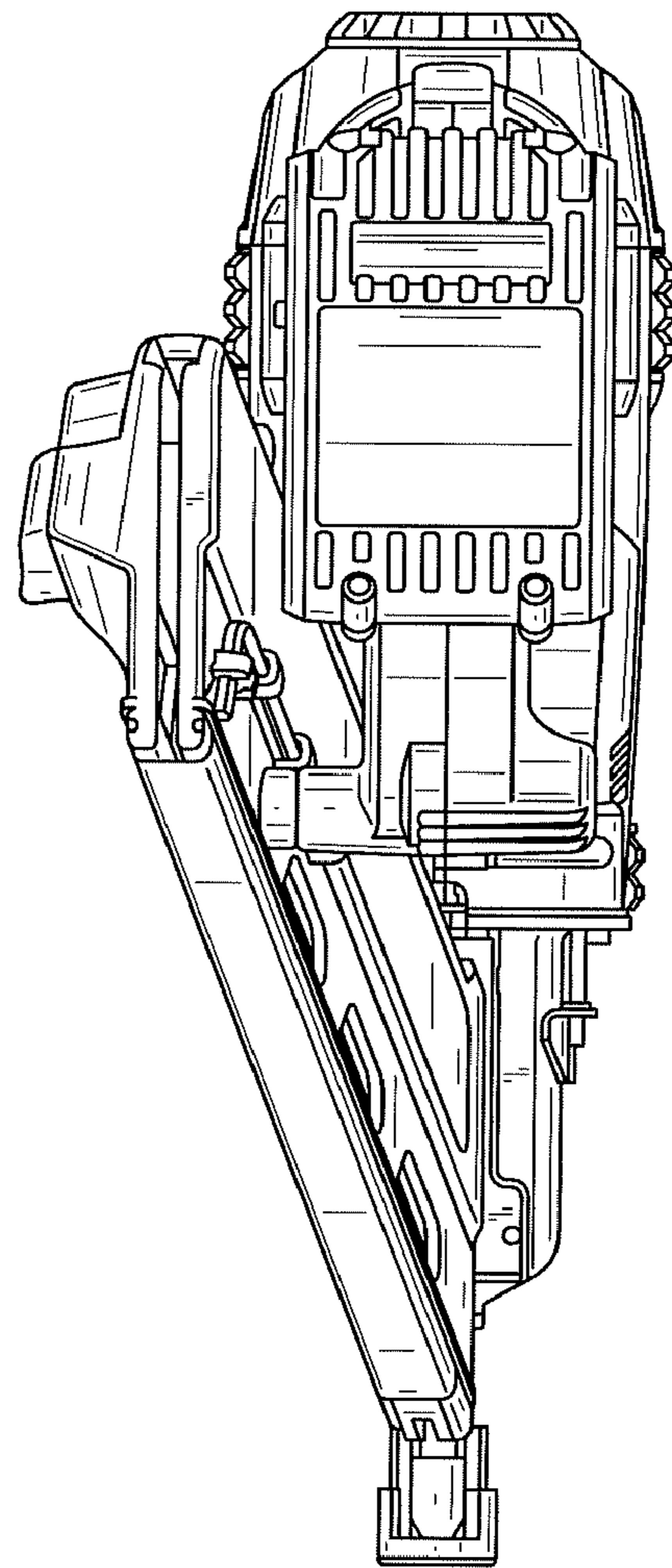


FIG. 8