

US00D678023S

(12) **United States Design Patent**  
**Itoh et al.**

(10) **Patent No.:** **US D678,023 S**  
(45) **Date of Patent:** **\*\* Mar. 19, 2013**

(54) **PORTABLE PLANE**

(75) Inventors: **Takafumi Itoh**, Hitachinaka (JP);  
**Takeshi Taniguchi**, Hitachinaka (JP);  
**Masanori Okada**, Hitachinaka (JP);  
**Tomoyuki Kawahara**, Hitachinaka (JP);  
**Satoshi Iwata**, Hitachinaka (JP)

(73) Assignee: **Hitachi Koki Co., Ltd.**, Tokyo (JP)

(\*\*) Term: **14 Years**

(21) Appl. No.: **29/425,823**

(22) Filed: **Jun. 27, 2012**

(30) **Foreign Application Priority Data**

Dec. 28, 2011 (JP) ..... 2011-030559

(51) **LOC (9) Cl.** ..... **08-01**

(52) **U.S. Cl.** ..... **D8/62**

(58) **Field of Classification Search** ..... D8/67,  
D8/62, 61, 70; D32/15, 17, 19; D4/102;  
451/456, 451, 359, 358, 357, 356, 355, 364,  
451/344; 144/154.5, 373; 30/475  
See application file for complete search history.

(56) **References Cited**

**U.S. PATENT DOCUMENTS**

D528,388 S \* 9/2006 Andriolo et al. .... D8/62  
D529,357 S \* 10/2006 Qiu ..... D8/62

D540,133 S \* 4/2007 Corcoran ..... D8/62  
D592,025 S \* 5/2009 Snowball ..... D8/62  
D601,874 S \* 10/2009 Hayakawa et al. .... D8/62  
D603,673 S \* 11/2009 Netzler ..... D8/62  
D637,879 S \* 5/2011 Kawase et al. .... D8/62  
D648,609 S \* 11/2011 Refson ..... D8/62  
2003/0168122 A1 \* 9/2003 Razlan et al. .... 144/154.5  
2004/0149351 A1 \* 8/2004 Thomas ..... 144/136.95  
2005/0274433 A1 \* 12/2005 Thomas ..... 144/252.1  
2005/0284543 A1 \* 12/2005 Kaiser ..... 144/373

\* cited by examiner

*Primary Examiner* — Austin Murphy

(74) *Attorney, Agent, or Firm* — Sughrue Mion, PLLC

(57) **CLAIM**

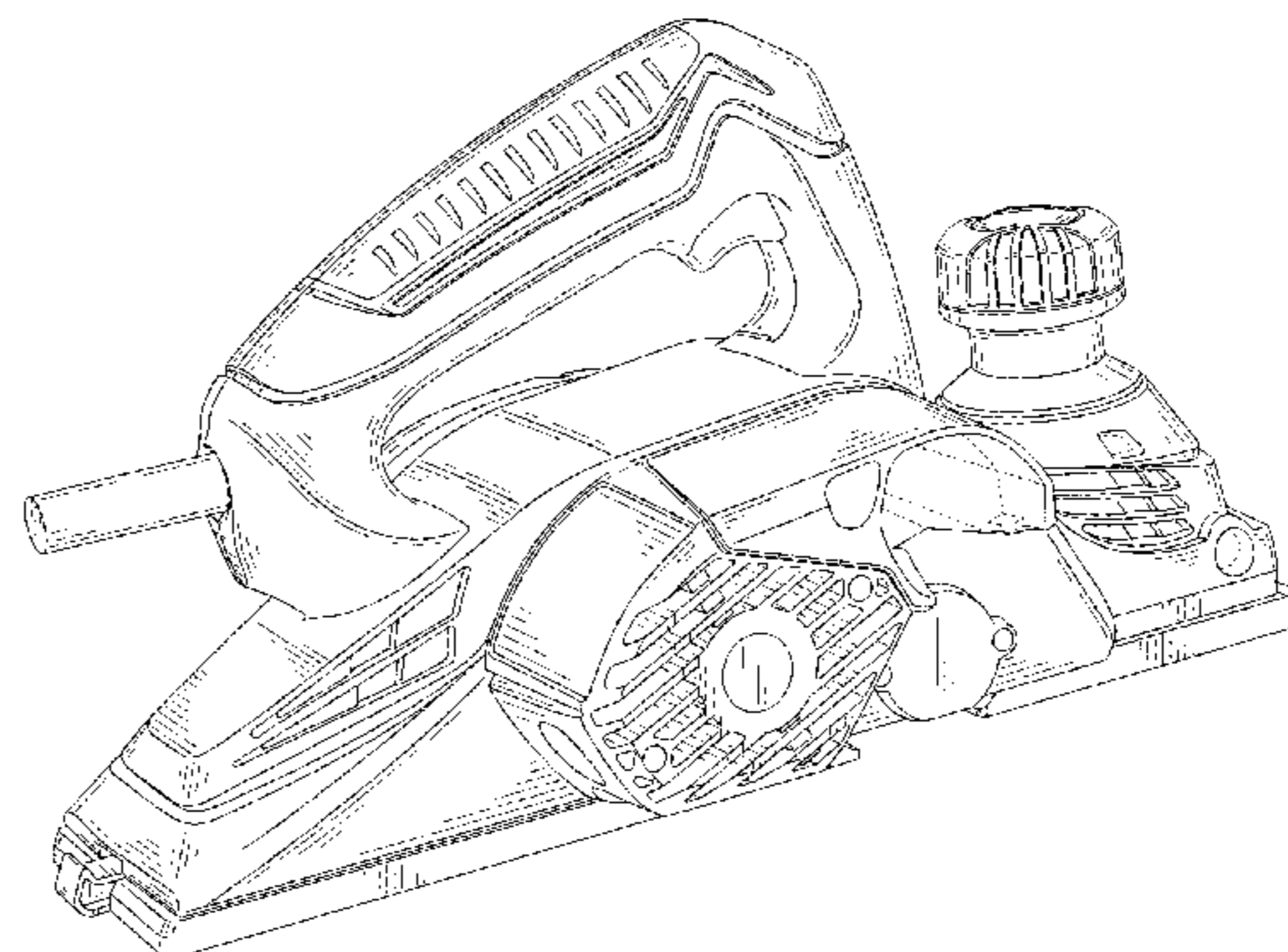
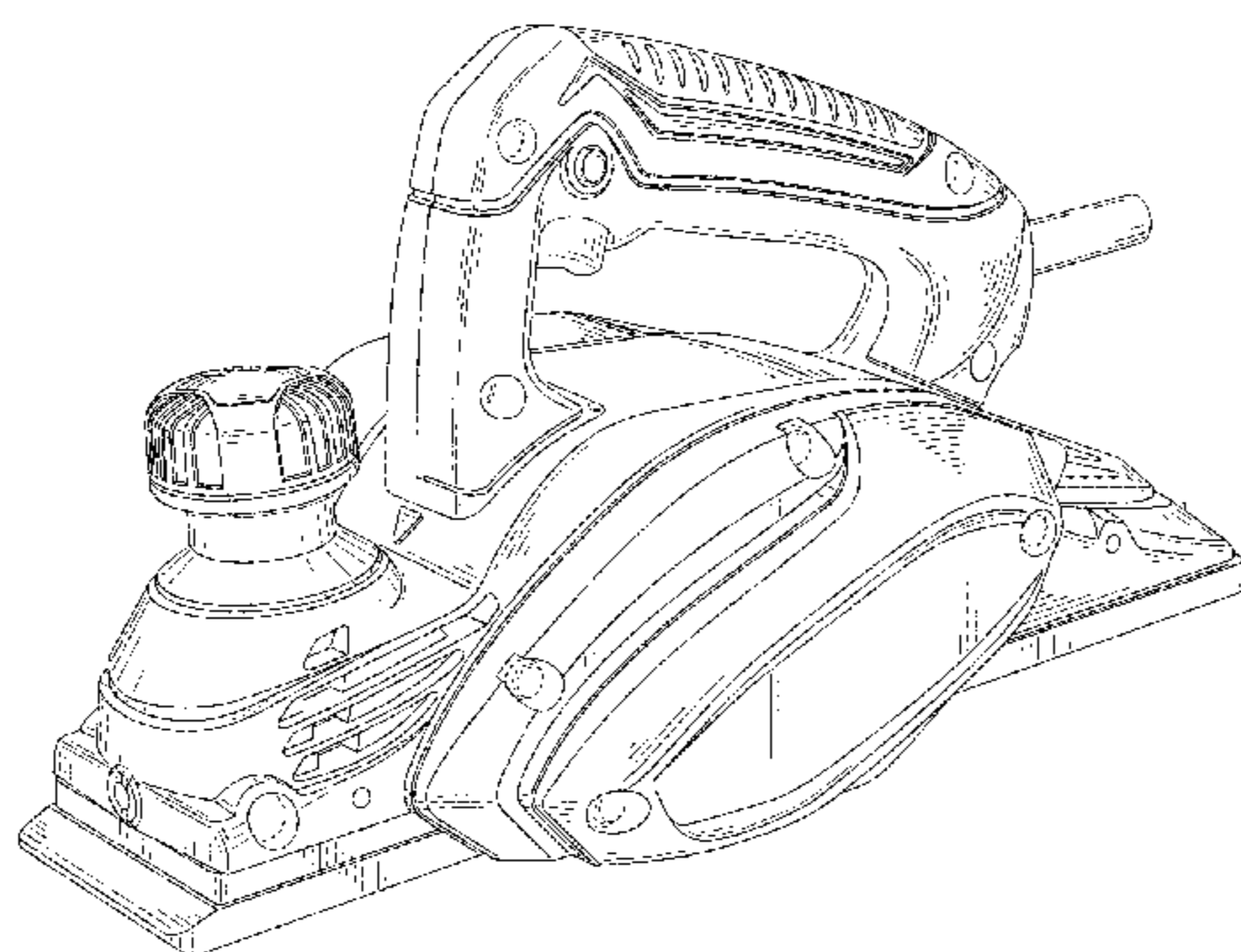
The ornamental design for portable plane, as shown and described.

**DESCRIPTION**

FIG. 1 is a front perspective view of the portable plane showing our new design;  
FIG. 2 is a rear perspective view thereof;  
FIG. 3 is a front view thereof;  
FIG. 4 is a rear view thereof;  
FIG. 5 is a left side view thereof;  
FIG. 6 is a right side view thereof;  
FIG. 7 is a top plan view thereof; and,  
FIG. 8 is a bottom view thereof.

The broken lines represent the portions of the design that form no part of the claim.

**1 Claim, 4 Drawing Sheets**



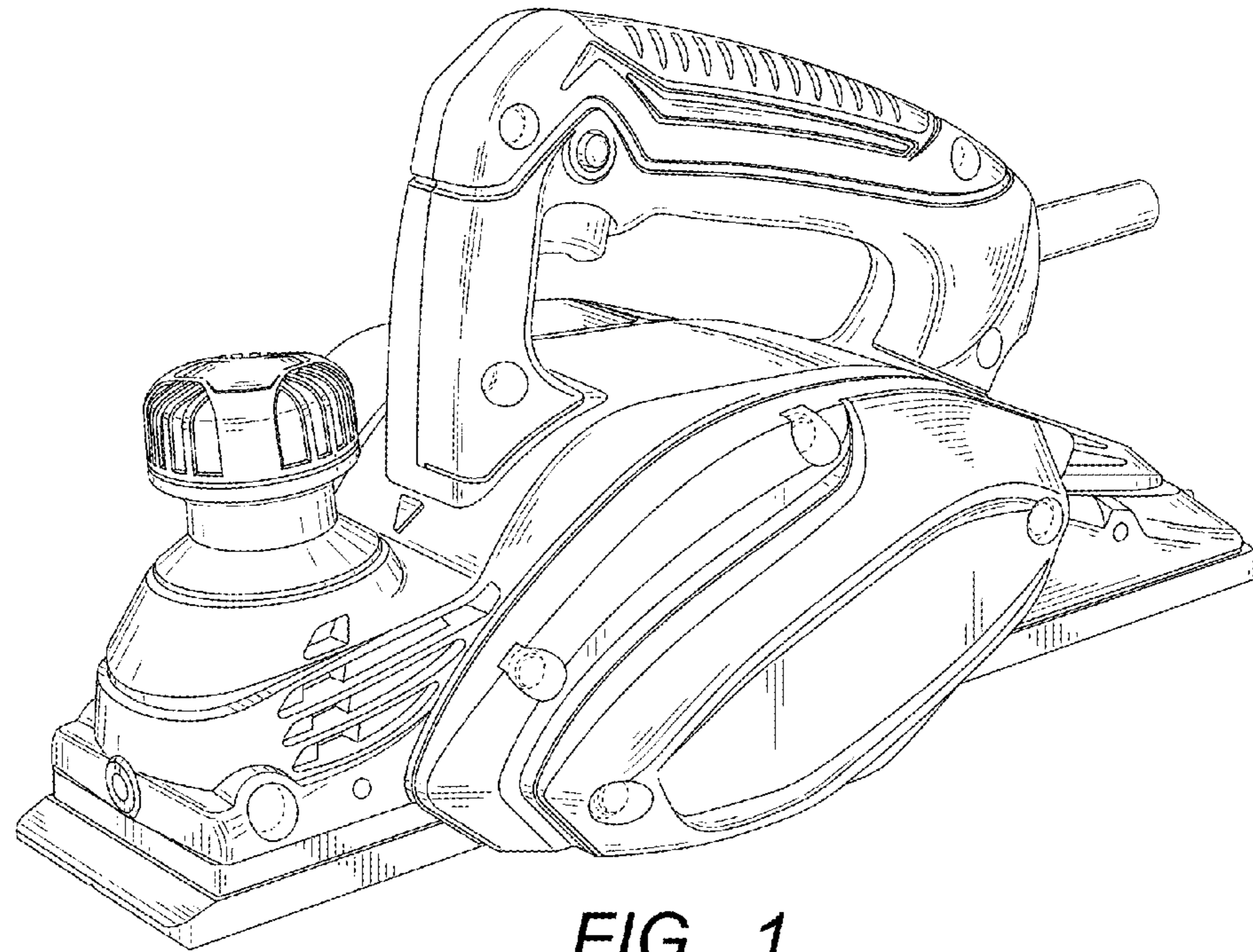


FIG. 1

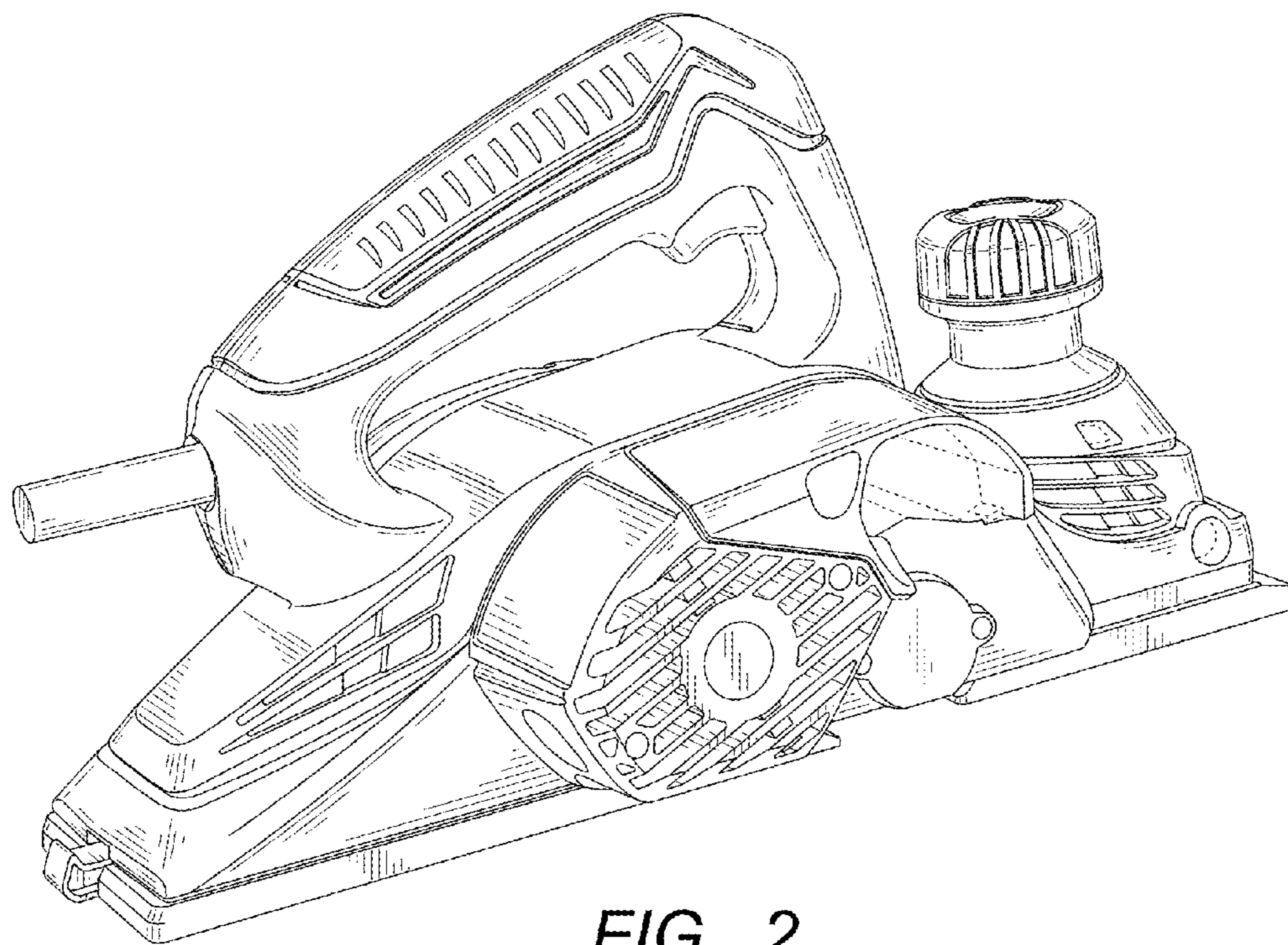


FIG. 2

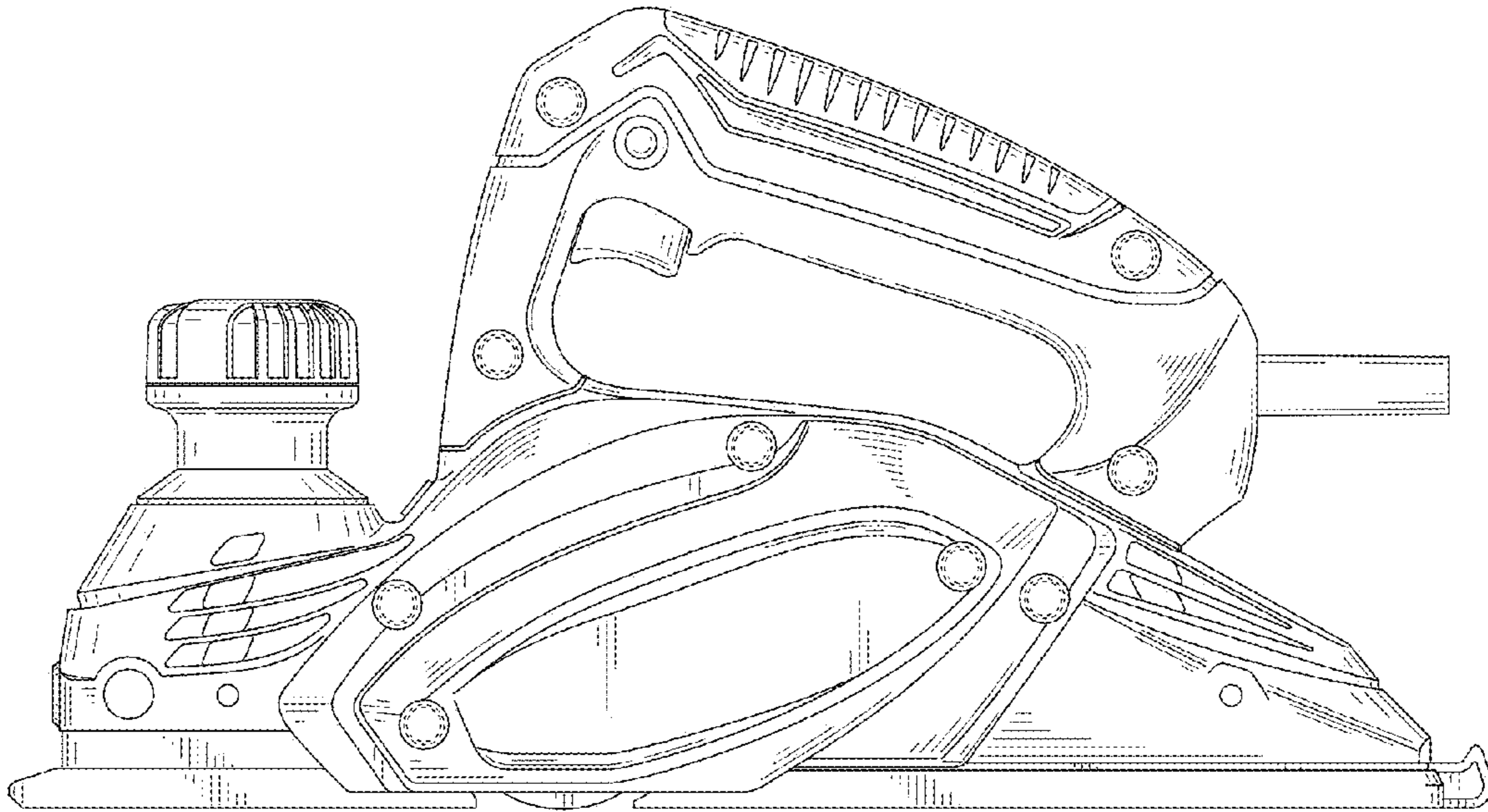


FIG. 3

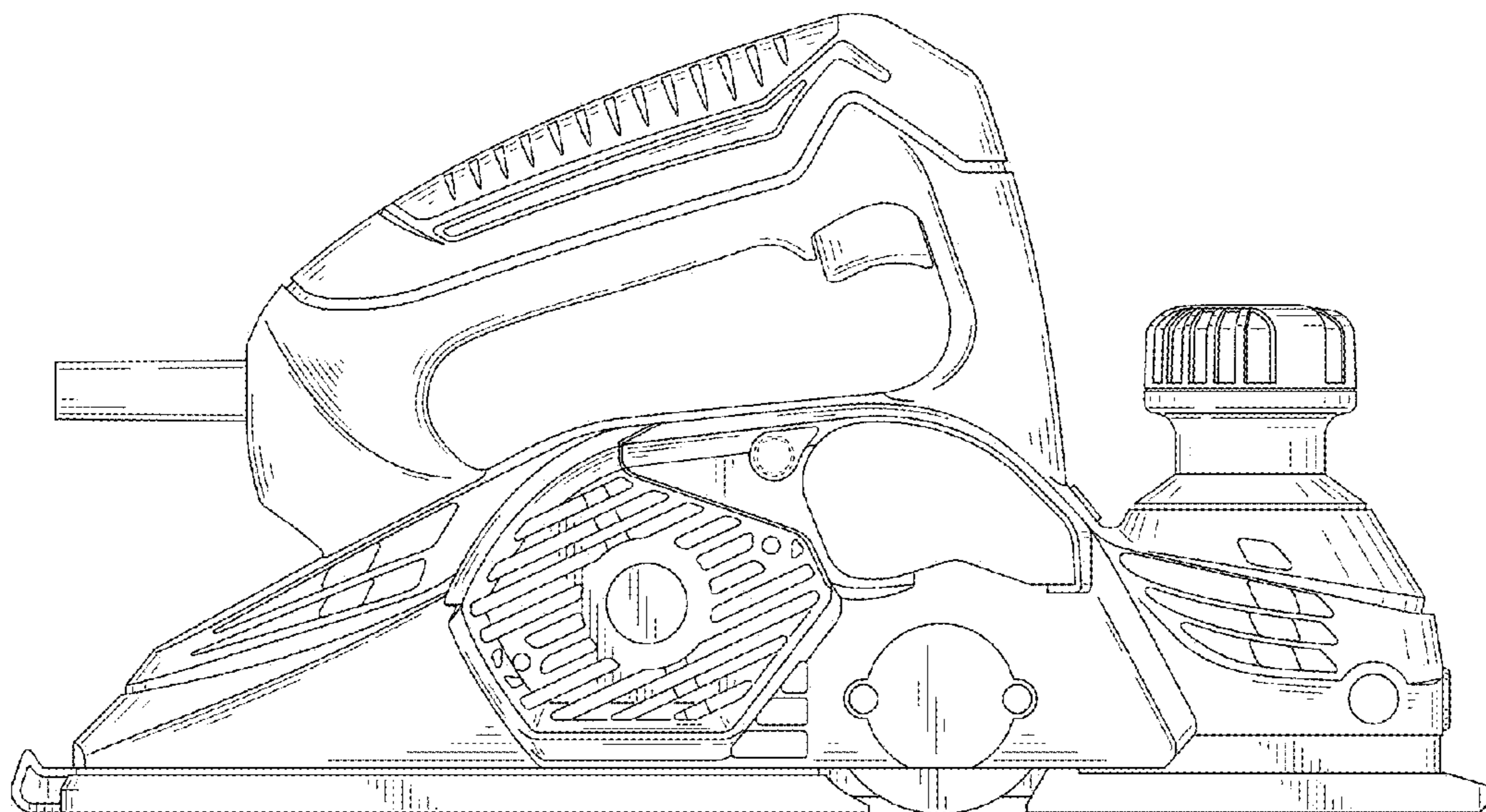
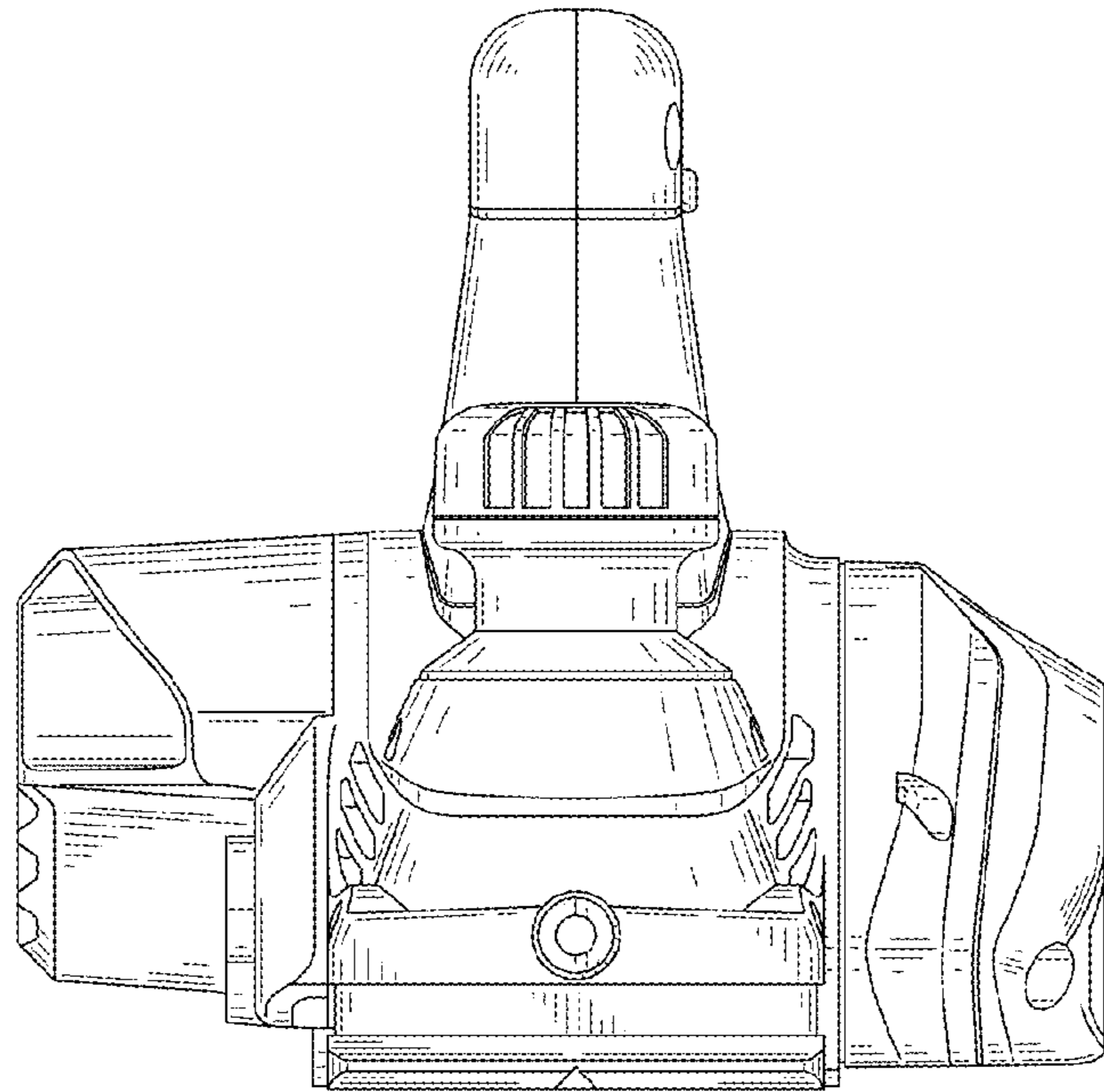
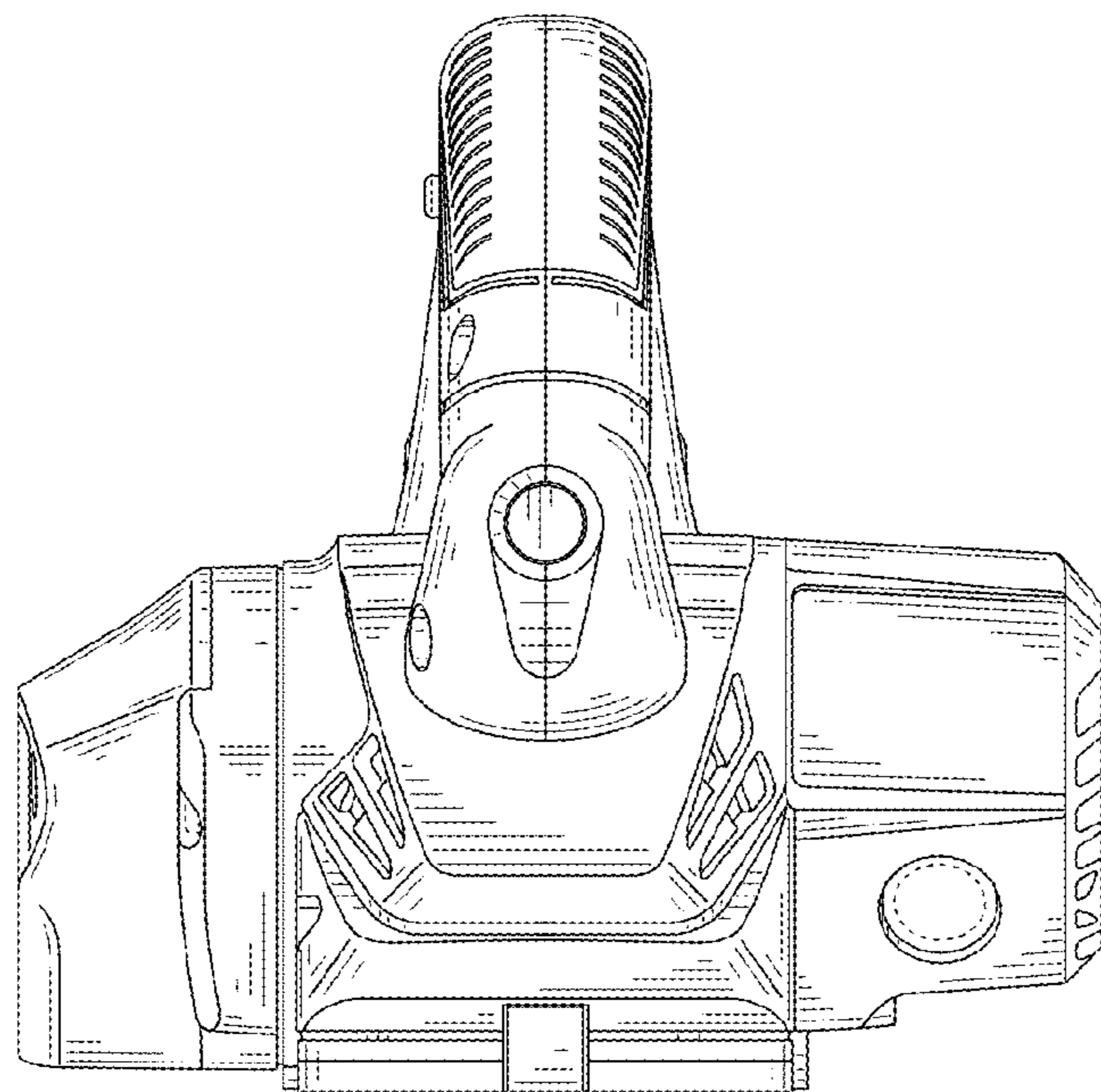


FIG. 4



*FIG. 5*



*FIG. 6*

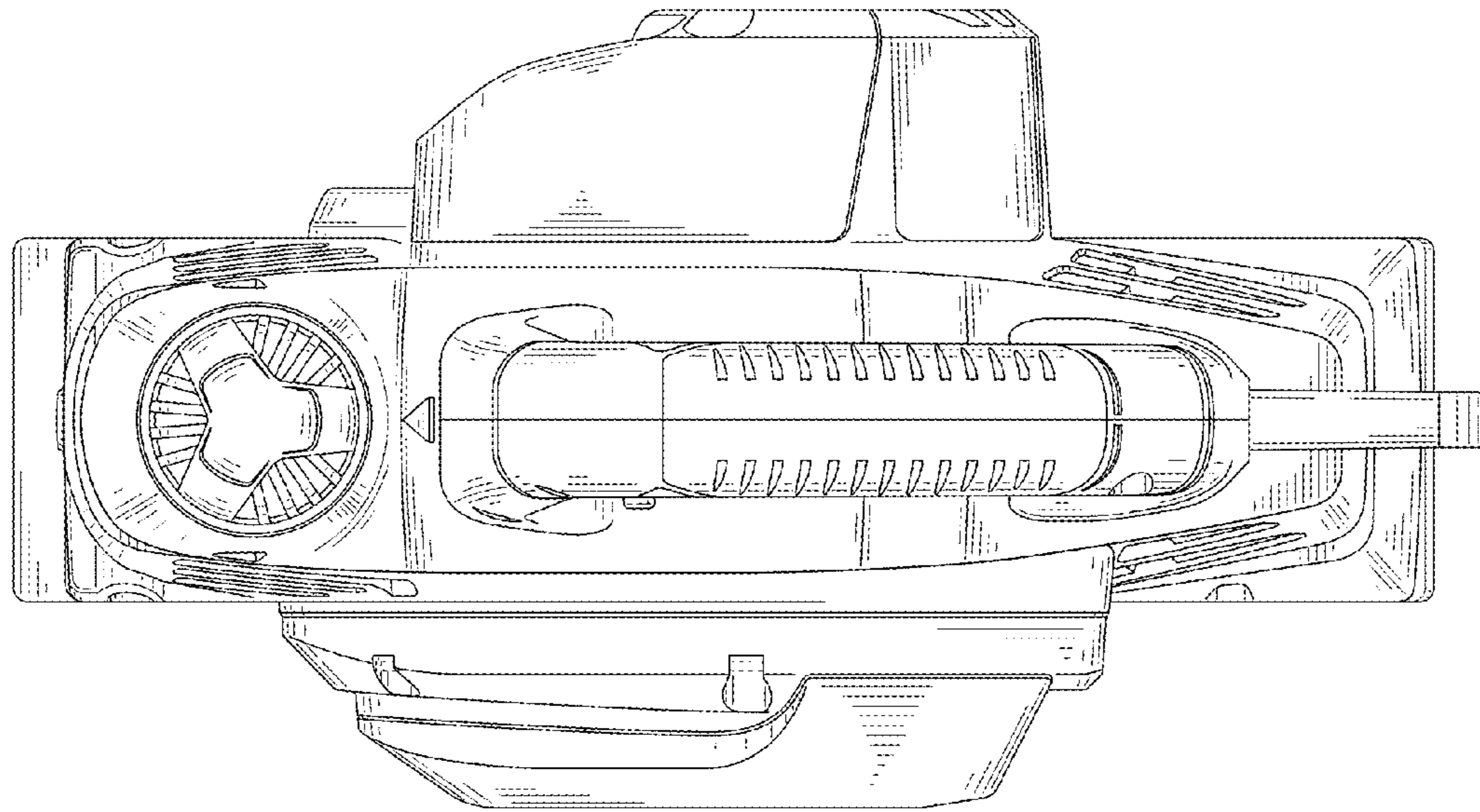


FIG. 7

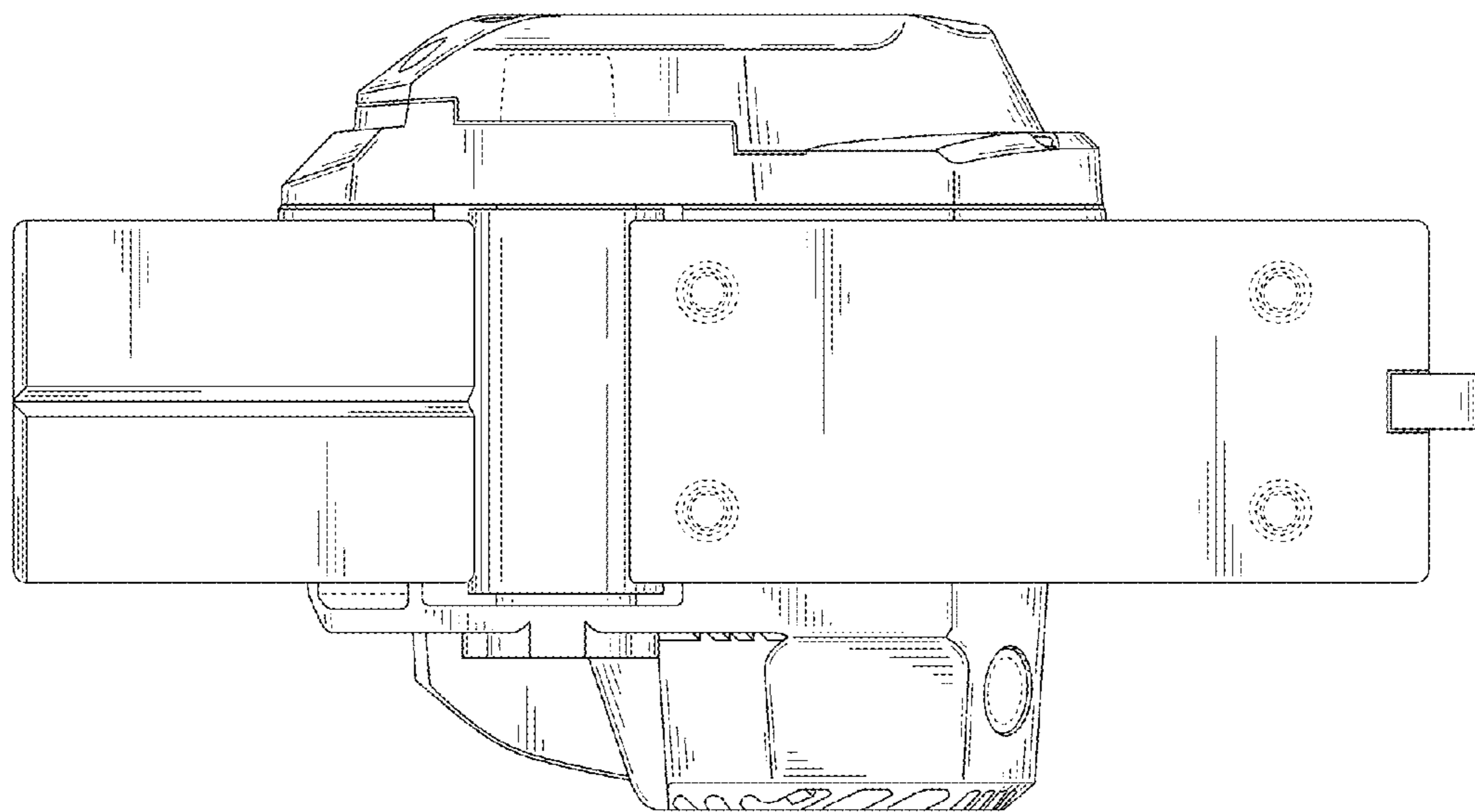


FIG. 8