



US00D678015S

(12) **United States Design Patent**  
**Paloheimo et al.**

(10) **Patent No.:** **US D678,015 S**  
(45) **Date of Patent:** **\*\* Mar. 19, 2013**

(54) **GARDEN TOOL**

(75) Inventors: **Markus Paloheimo**, Karjaa (FI); **Petteri Masalin**, Helsinki (FI)

(73) Assignee: **Fiskars Brands Finland Oy AB**, Billnäs (FI)

(\*\*) Term: **14 Years**

(21) Appl. No.: **29/414,287**

(22) Filed: **Feb. 27, 2012**

(30) **Foreign Application Priority Data**

Sep. 1, 2011 (EM) ..... 001910753-0001  
Sep. 1, 2011 (EM) ..... 001910753-0004

(51) **LOC (9) Cl.** ..... **08-01**

(52) **U.S. Cl.** ..... **D8/13**

(58) **Field of Classification Search** ..... D8/1, 13;  
56/400.01–400.21; 7/114; 294/49, 51, 55.5,  
294/57

See application file for complete search history.

(56) **References Cited**

**U.S. PATENT DOCUMENTS**

D256,542 S \* 8/1980 Nadle ..... D8/13  
D295,712 S \* 5/1988 Scott ..... D8/13  
D339,039 S \* 9/1993 Concari ..... D8/13  
D349,023 S 7/1994 Linden et al.  
D383,049 S 9/1997 Concari et al.  
D387,649 S 12/1997 Concari et al.  
D388,670 S \* 1/1998 Yeh ..... D8/13  
D409,710 S \* 5/1999 Bauer ..... D22/117  
D435,407 S 12/2000 Yager et al.  
D476,537 S \* 7/2003 Lin ..... D8/13

D506,655 S 6/2005 Lipscomb et al.  
D547,145 S \* 7/2007 Shan ..... D8/13  
D582,227 S \* 12/2008 Wong et al. .... D8/13

**OTHER PUBLICATIONS**

U.S. Appl. No. 29/425,364, filed Jun. 21, 2012, Meiller et al.

\* cited by examiner

*Primary Examiner* — Sheryl Lane

(74) *Attorney, Agent, or Firm* — Foley & Lardner LLP

(57) **CLAIM**

We claim the ornamental design for a garden tool, as shown and described.

**DESCRIPTION**

FIG. 1 is a perspective view of an embodiment of the claimed design;

FIG. 2 is a front view of the claimed design of FIG. 1;

FIG. 3 is a rear view of the claimed design of FIG. 1;

FIG. 4 is a right side view of the claimed design of FIG. 1;

FIG. 5 is a left side view of the claimed design of FIG. 1;

FIG. 6 is a top view of the claimed design of FIG. 1;

FIG. 7 is a bottom view of the claimed design of FIG. 1;

FIG. 8 is a perspective view of another embodiment of the claimed design;

FIG. 9 is a front view of the claimed design of FIG. 8;

FIG. 10 is a rear view of the claimed design of FIG. 8;

FIG. 11 is a right side view of the claimed design of FIG. 8;

FIG. 12 is a left side view of the claimed design of FIG. 8;

FIG. 13 is a top view of the claimed design of FIG. 8; and,

FIG. 14 is a bottom view of the claimed design of FIG. 8.

The broken line showing of the garden tool shows portions of the article and forms no part of the claimed design.

**1 Claim, 10 Drawing Sheets**

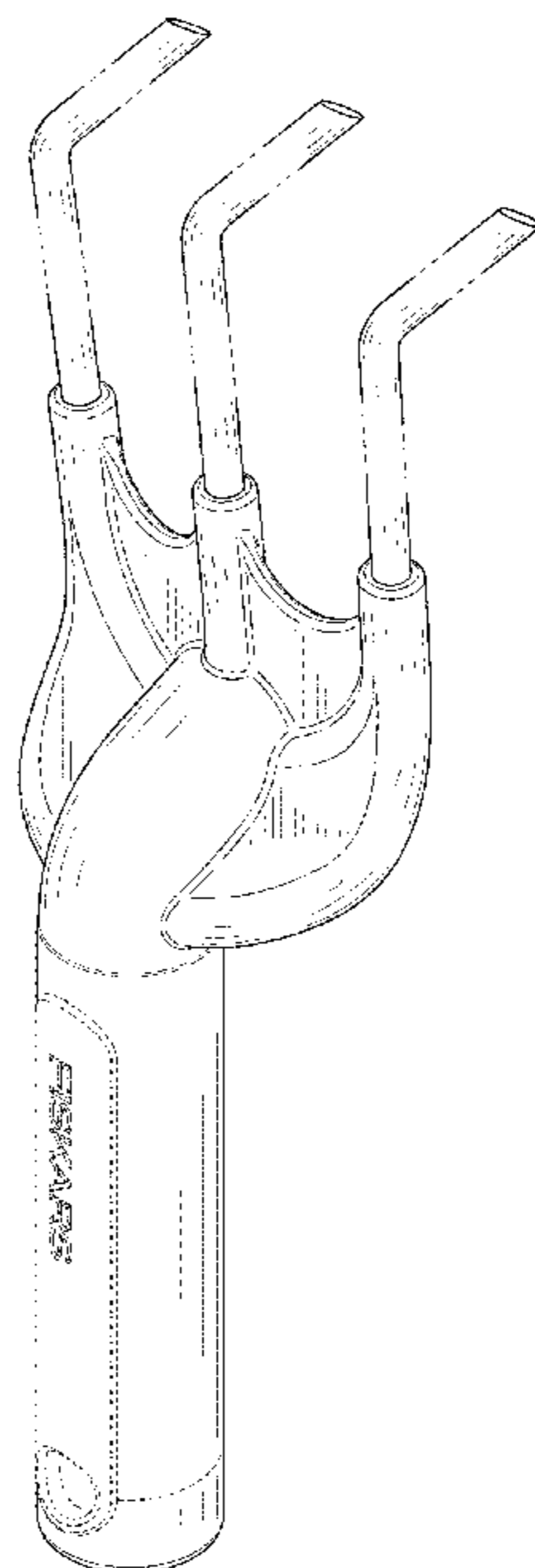


FIGURE 1

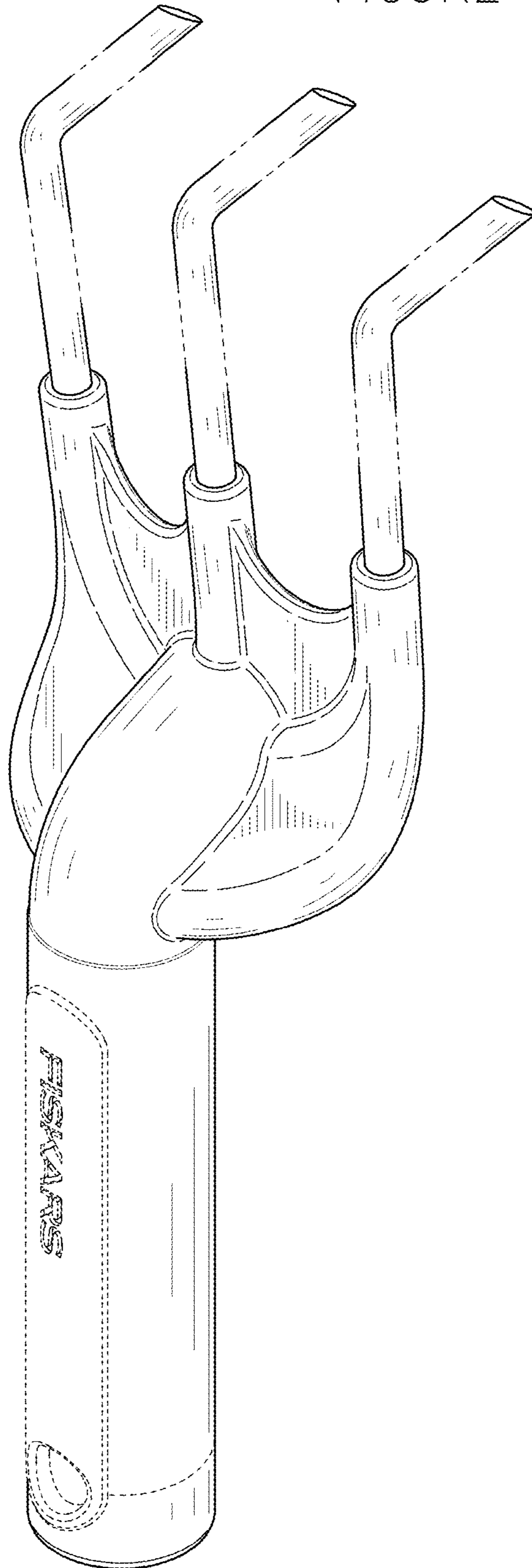


FIGURE 2

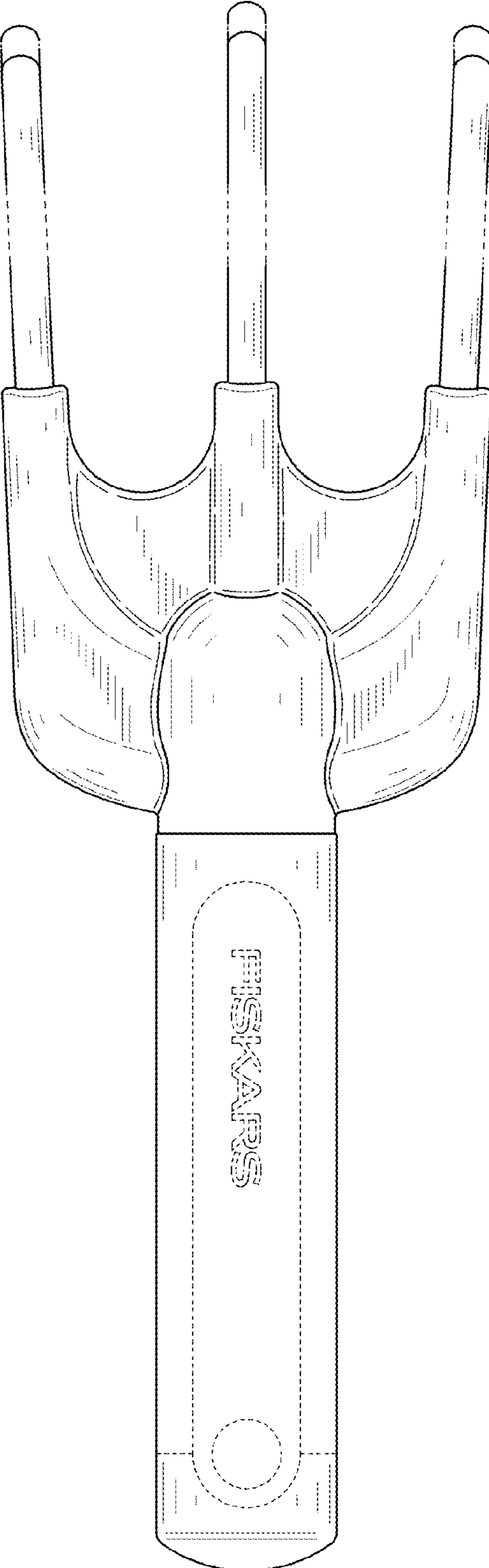


FIGURE 3

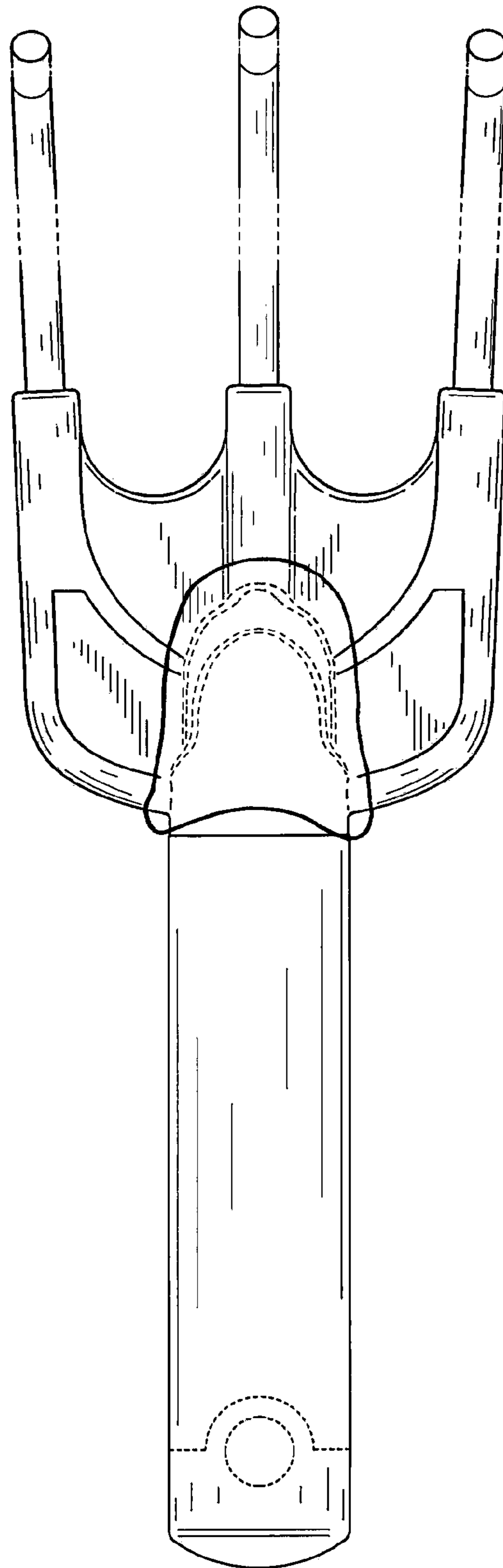


FIGURE 4

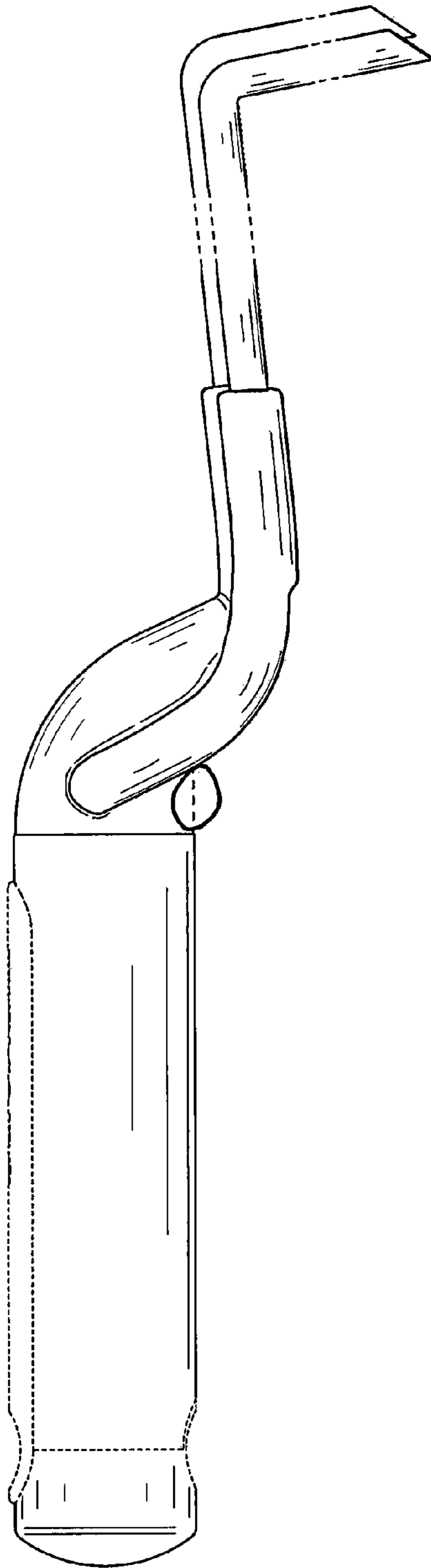


FIGURE 5

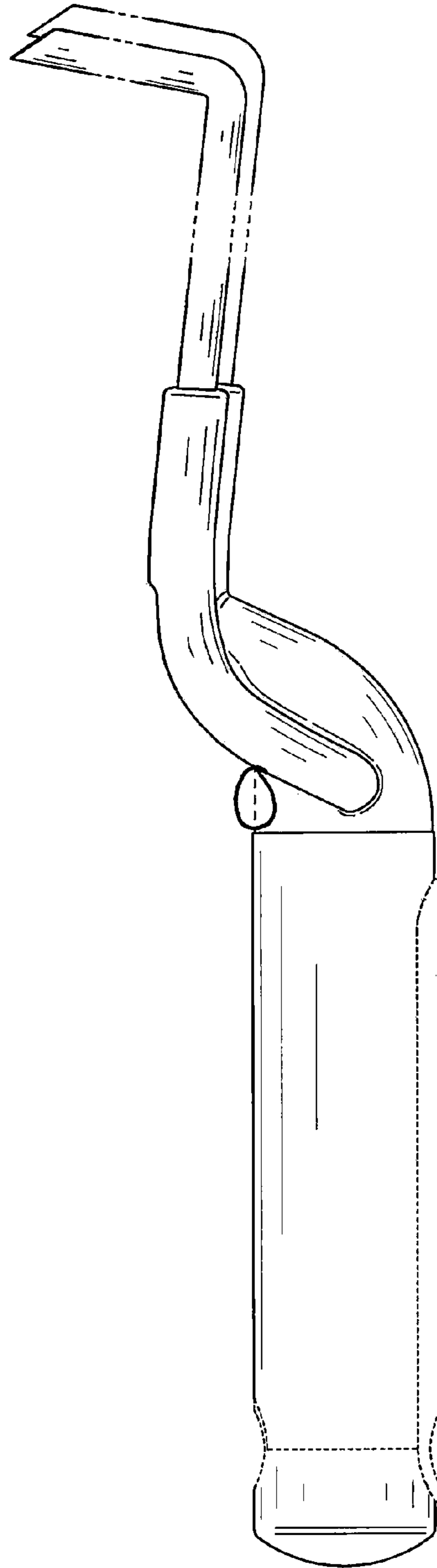


FIGURE 6

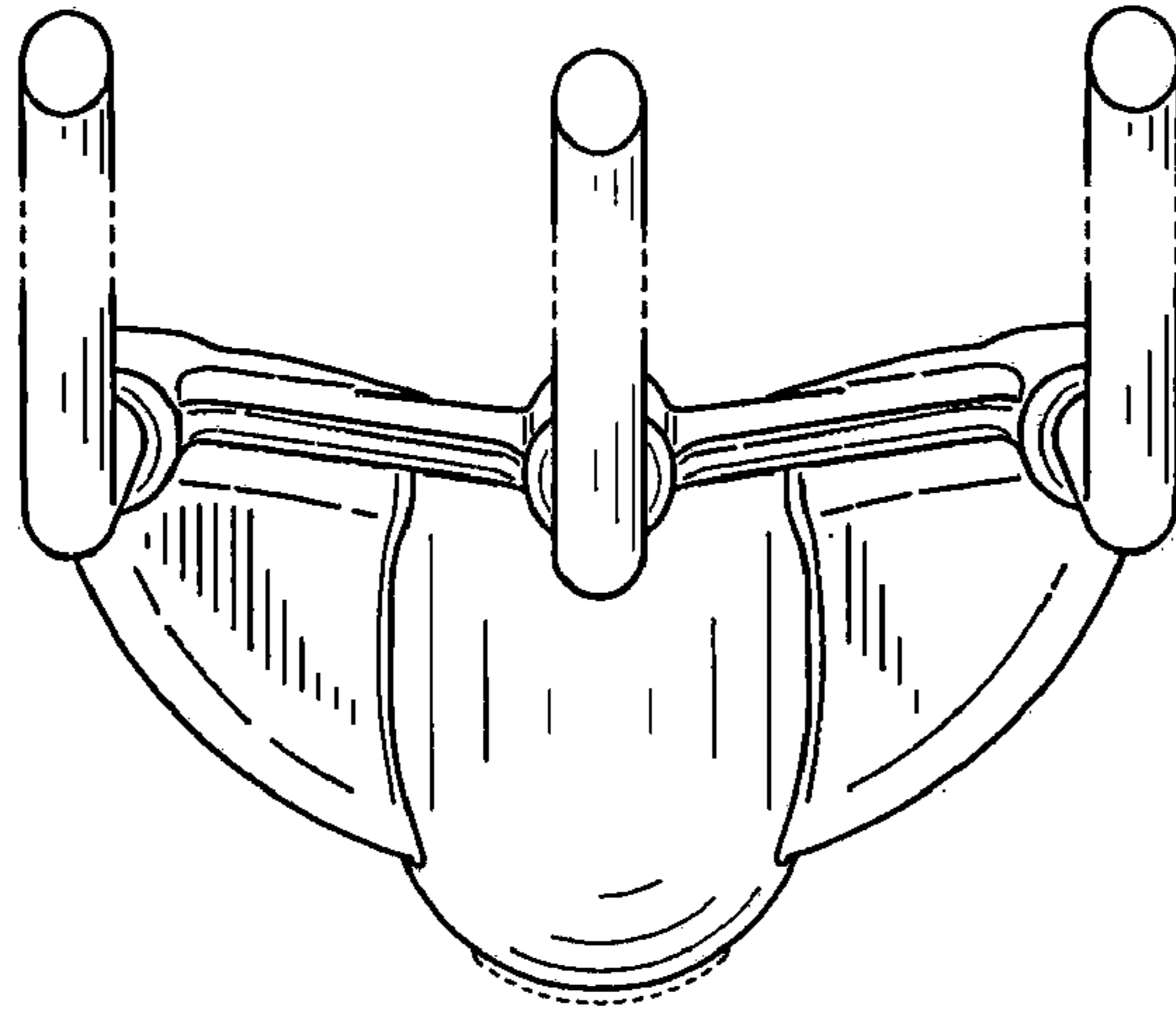


FIGURE 7

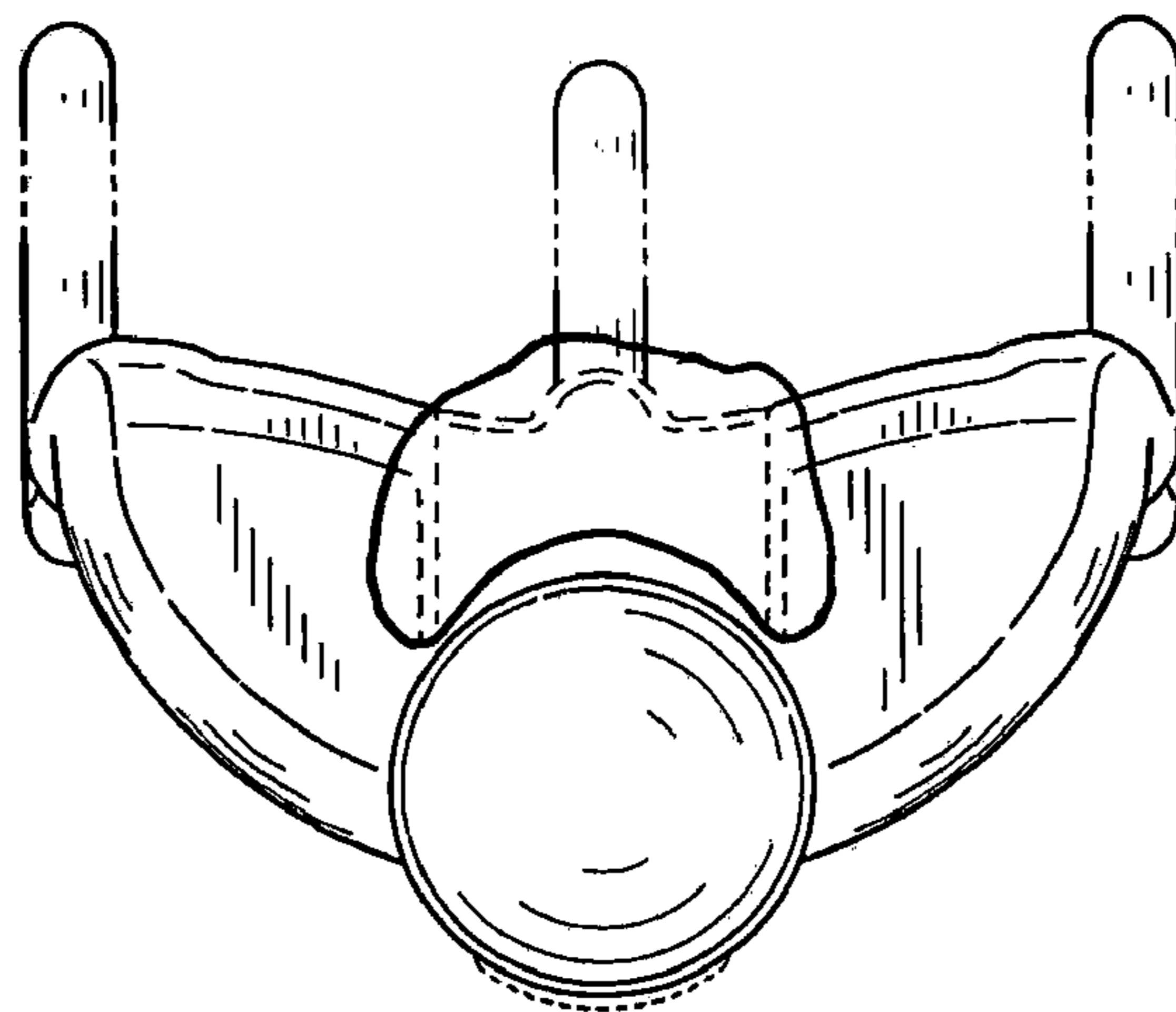
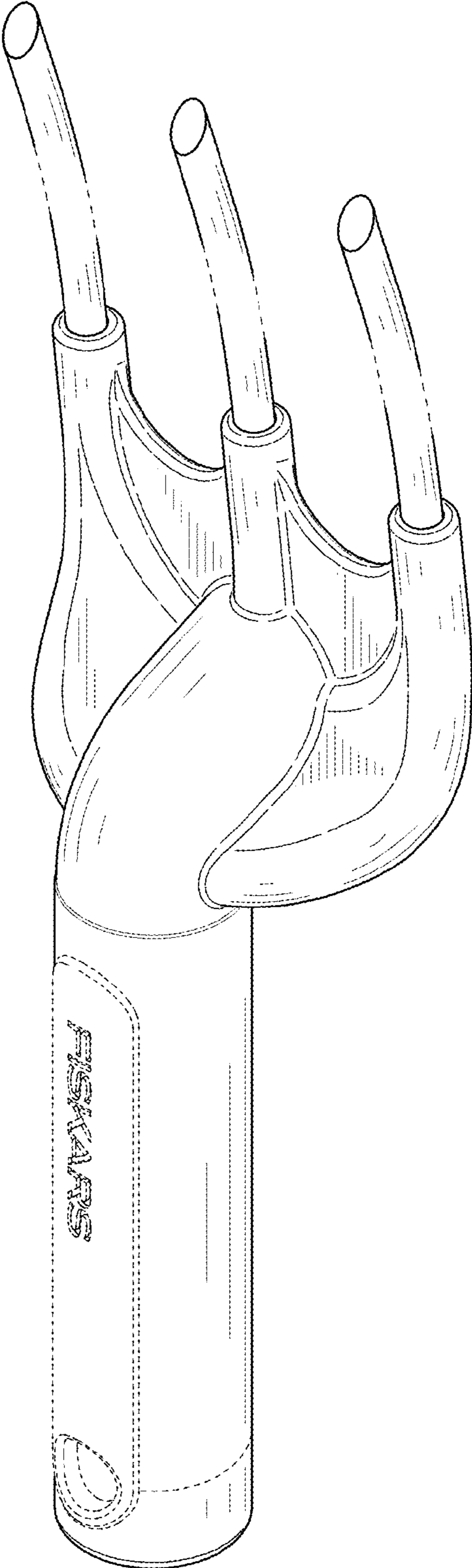


FIGURE 8



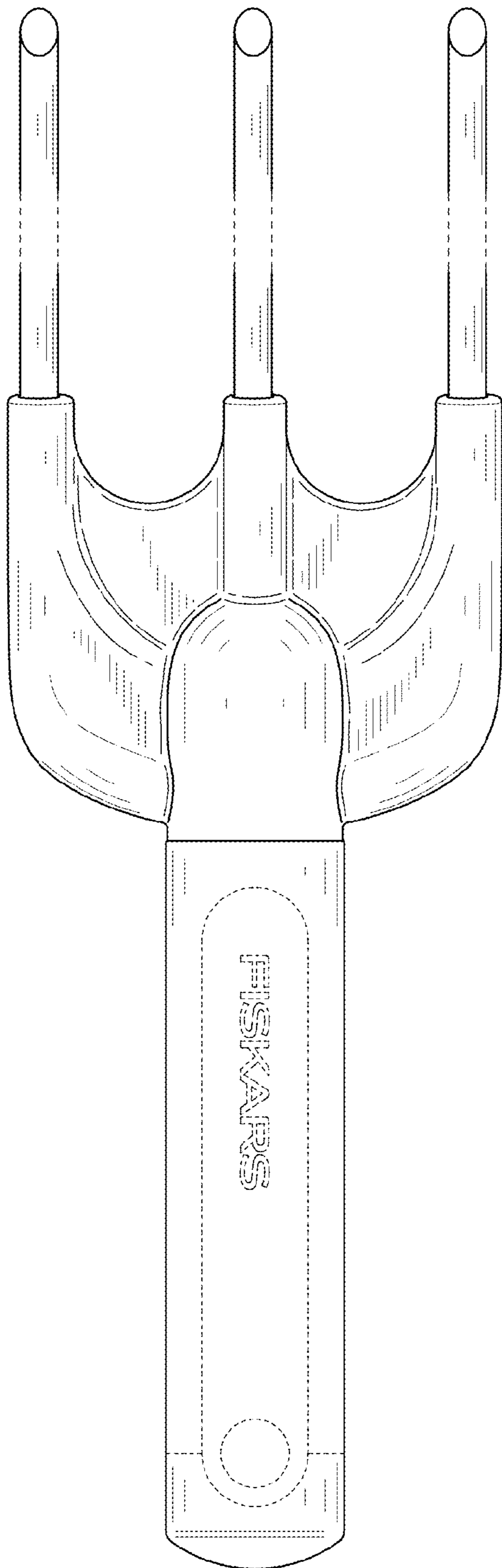


FIGURE 9



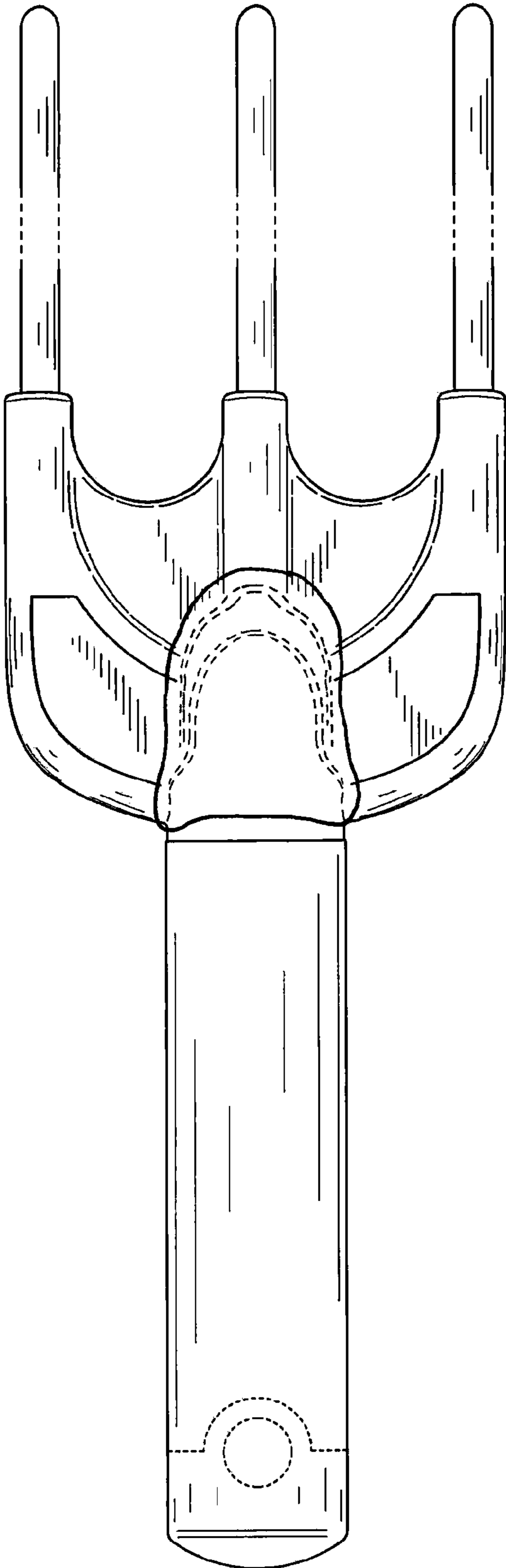


FIGURE 10

FIGURE 11

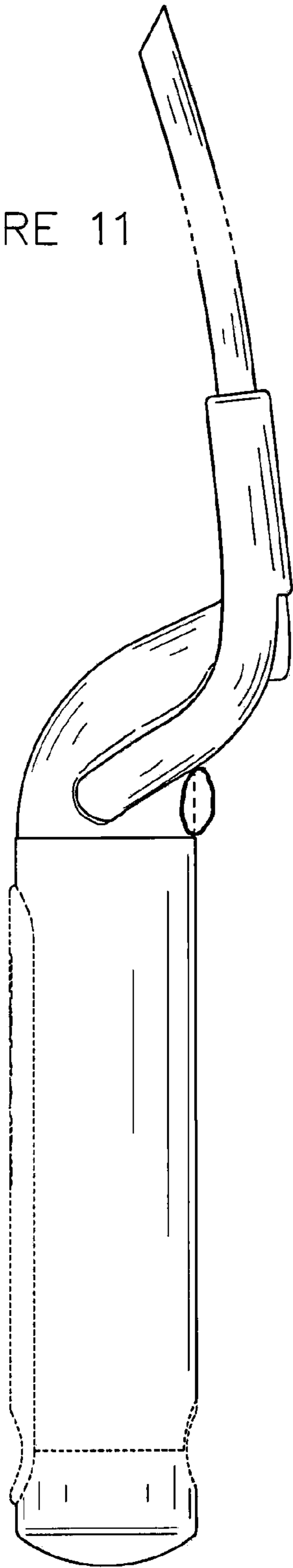


FIGURE 12

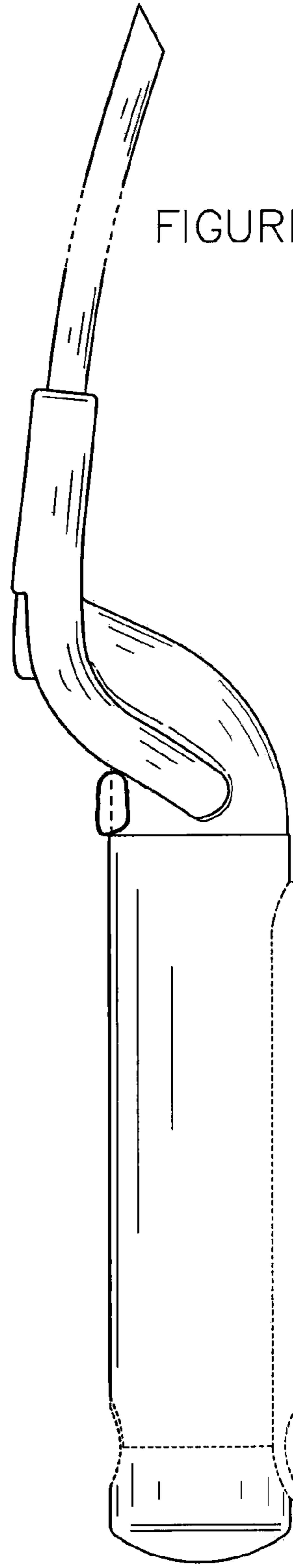


FIGURE 13

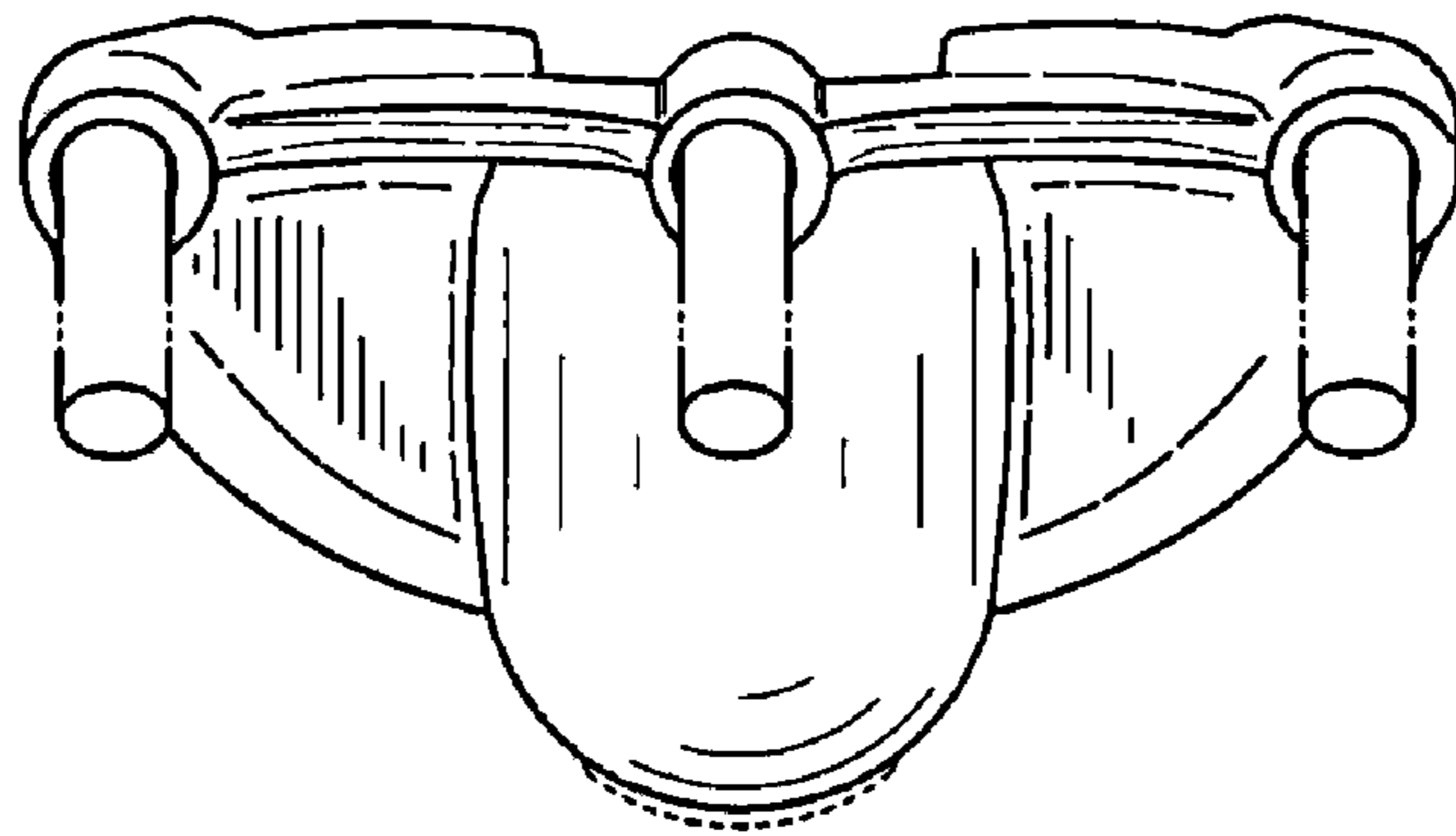


FIGURE 14

