



US00D678011S

(12) **United States Design Patent**
Wylie et al.

(10) **Patent No.:** **US D678,011 S**
(45) **Date of Patent:** **** Mar. 19, 2013**

(54) **WINE RACK**

(76) Inventors: **Robert Wylie**, N. Hollywood, CA (US);
Eric Hammerlund, Beverly Hills, CA (US)

(**) Term: **14 Years**

(21) Appl. No.: **29/410,861**

(22) Filed: **Jan. 12, 2012**

(51) **LOC (9) Cl.** **06-04**

(52) **U.S. Cl.** **D7/704**

(58) **Field of Classification Search** D7/701-708,
D7/619-625; 248/213.2, 220.41, 311.2,
248/312.1; 211/189, 193, 168, 171, 170,
211/94.01, 85.31, 74, 71.01

See application file for complete search history.

(56) **References Cited**

U.S. PATENT DOCUMENTS

3,481,482 A * 12/1969 Wilkens 248/220.41
6,394,288 B1 * 5/2002 Hartwall 211/74
D459,165 S * 6/2002 Henderson et al. D7/704
7,147,115 B2 * 12/2006 Perkins et al. 211/94.01

2006/0175488 A1* 8/2006 Schmiddy et al. 248/213.2

* cited by examiner

Primary Examiner — Terry Wallace

(74) *Attorney, Agent, or Firm* — QuickPatents; Kevin Prince

(57) **CLAIM**

We claim the ornamental design for a wine rack, as shown and described.

DESCRIPTION

FIG. 1 is a perspective view of a wine rack, showing our new design;

FIG. 2 is a front elevational view thereof;

FIG. 3 is a rear elevational view thereof;

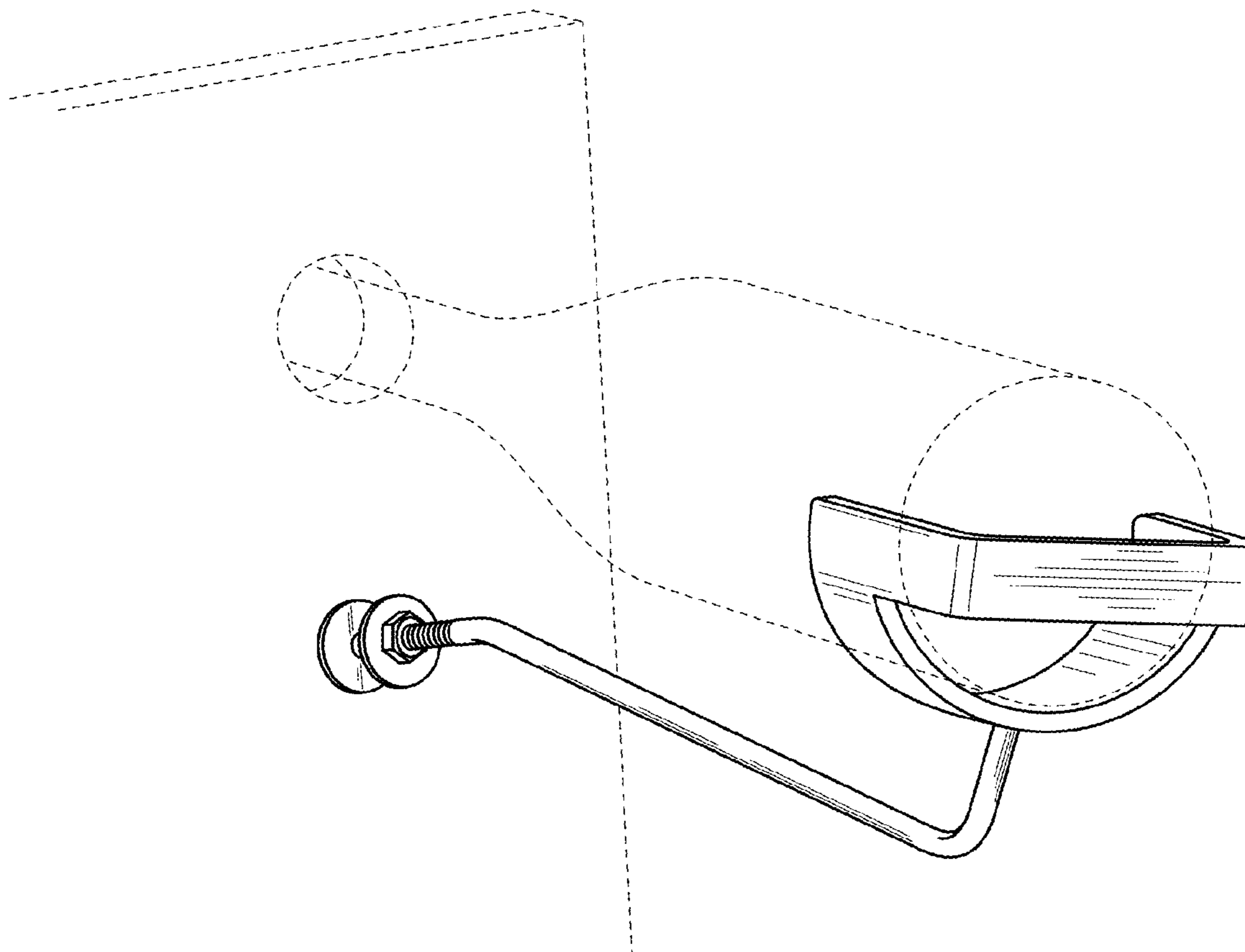
FIG. 4 is a right-side elevational view thereof, the left-side elevational view being a mirror image thereof;

FIG. 5 is a top plan view thereof; and,

FIG. 6 is a bottom plan view thereof.

The broken lines showing a wall and wine bottle in FIG. 1 depict environmental matter and form no part of the claimed design.

1 Claim, 3 Drawing Sheets



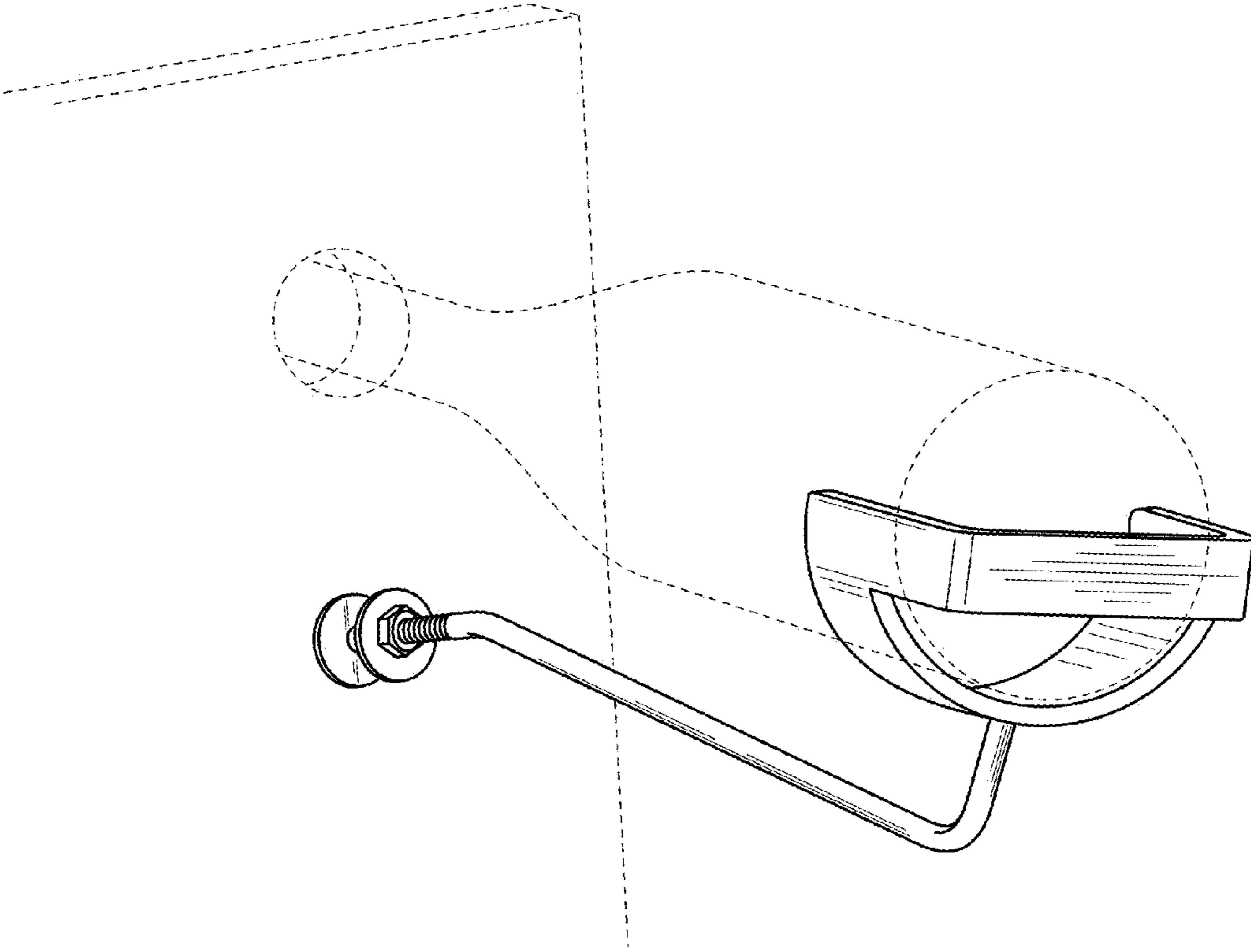


FIG. 1

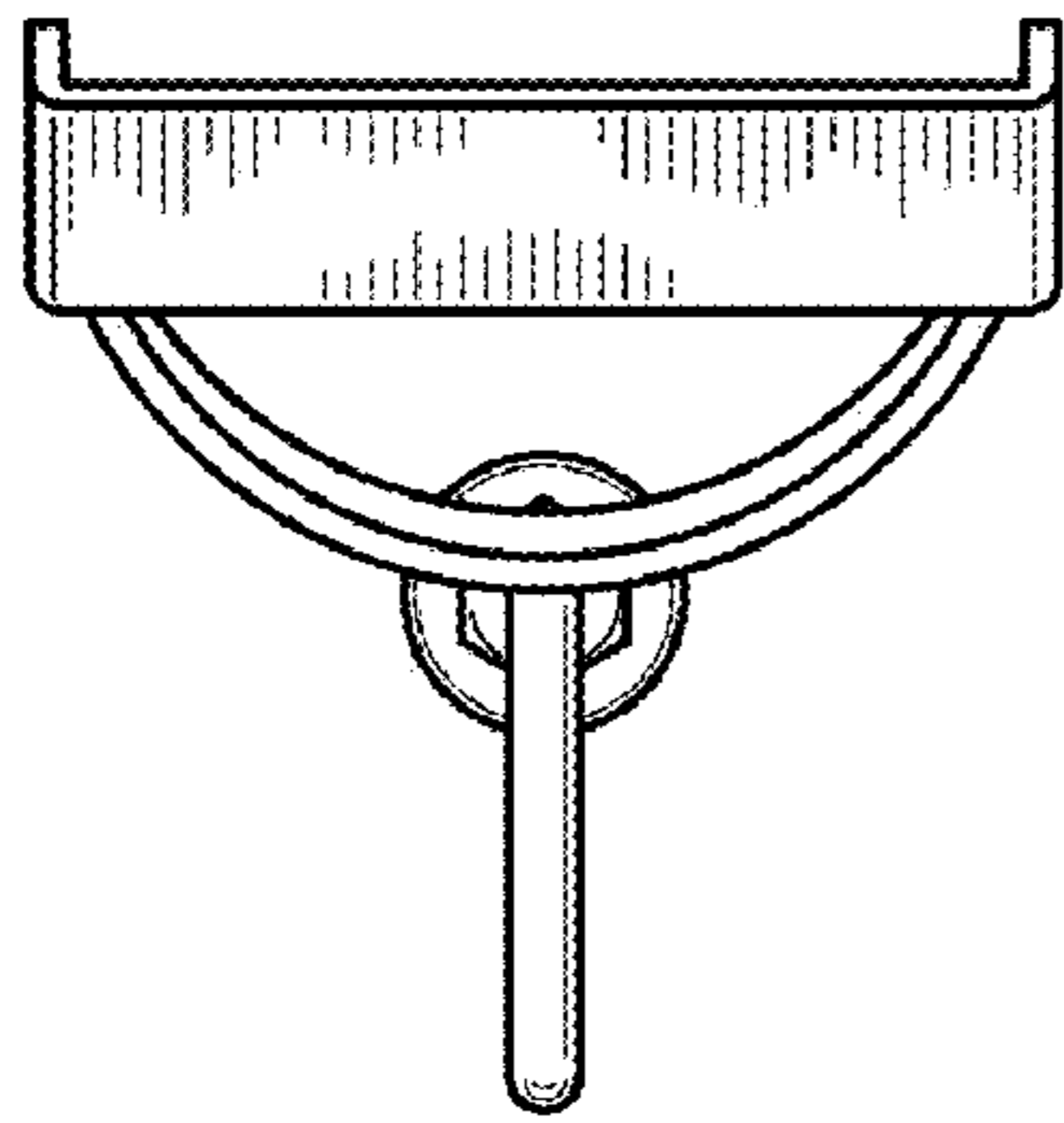


FIG. 2

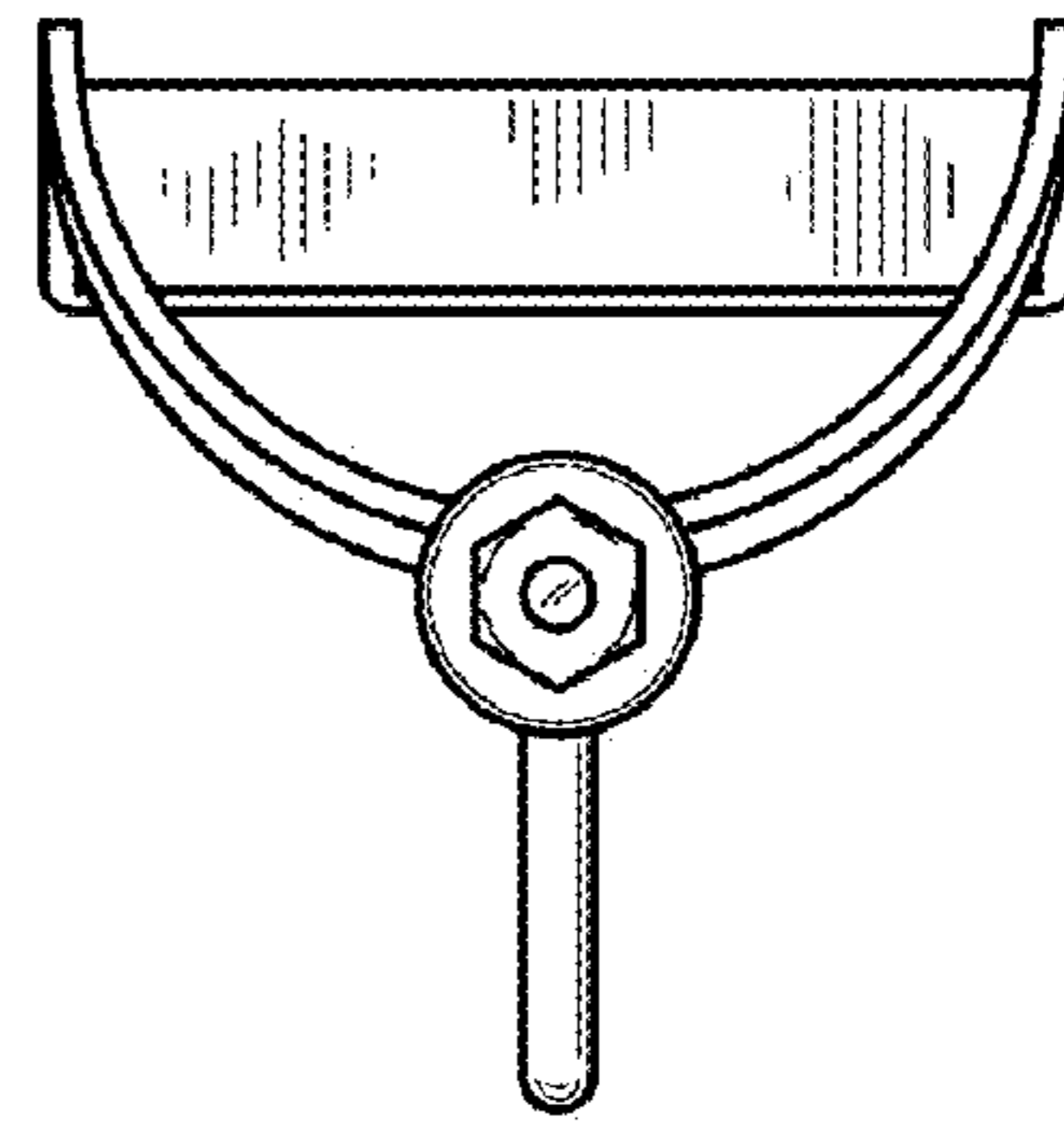


FIG. 3

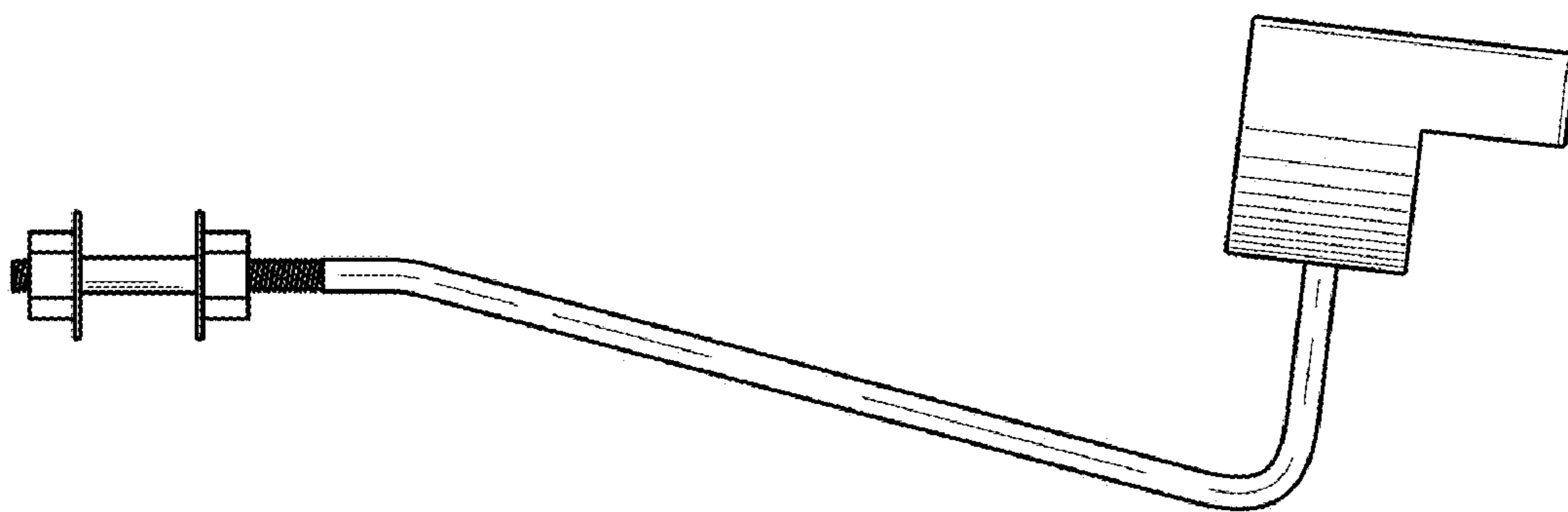


FIG. 4

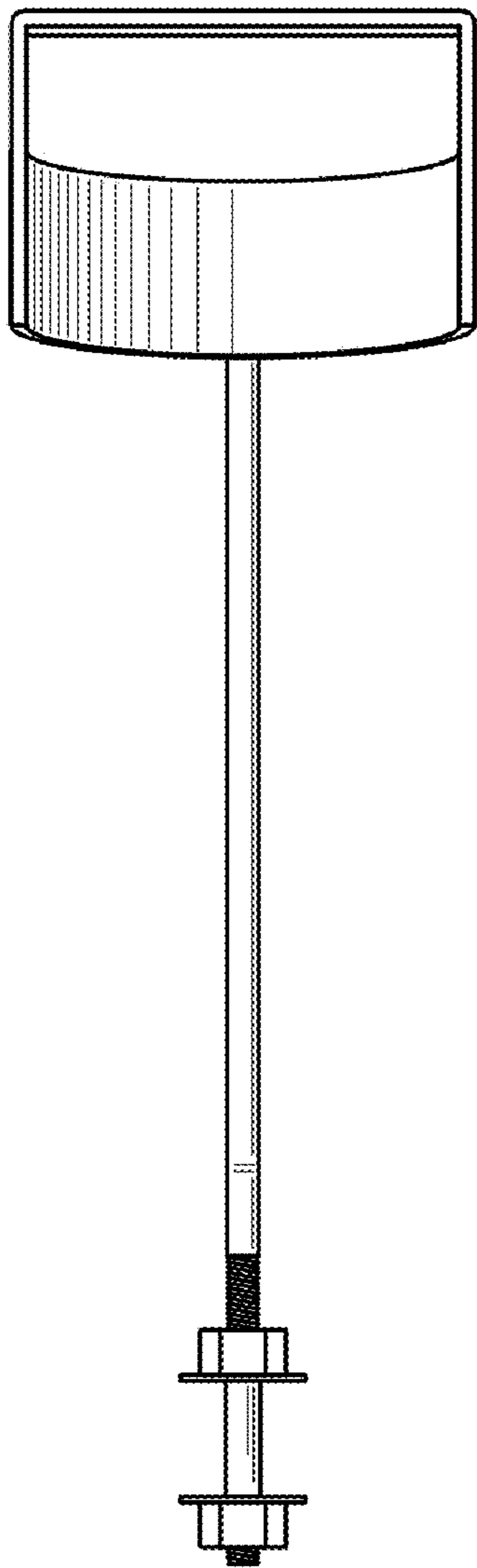


FIG. 5

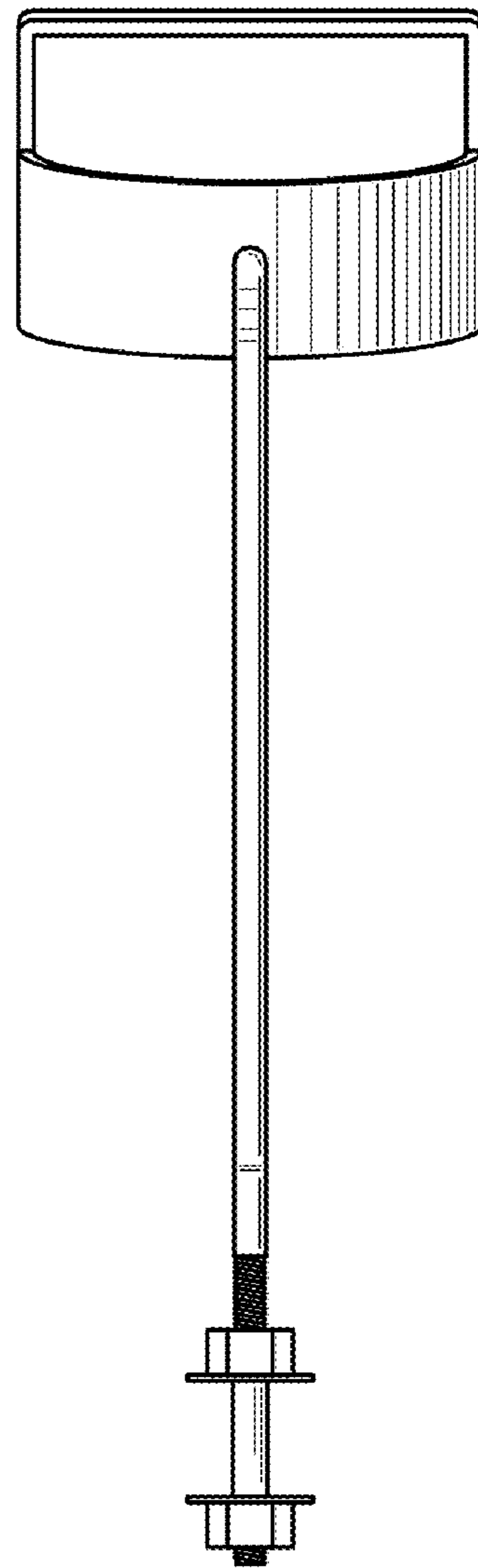


FIG. 6