



US00D678006S

(12) **United States Design Patent**  
**Suess et al.**

(10) **Patent No.:** **US D678,006 S**  
(45) **Date of Patent:** **\*\* Mar. 19, 2013**

(54) **SCOOP WITH LIP**

(75) Inventors: **Christon G. Suess**, Bergenfield, NJ  
(US); **Jillian L. Walbroel**, Hazlet, NJ  
(US)

(73) Assignee: **Cotapaxi Custom Design and  
Manufacturing LLC**, Carlstadt, NJ  
(US)

(\*\*) Term: **14 Years**

(21) Appl. No.: **29/421,148**

(22) Filed: **Jun. 1, 2012**

(51) **LOC (9) Cl.** ..... **07-02**

(52) **U.S. Cl.** ..... **D7/691; D10/46.2**

(58) **Field of Classification Search** ..... D24/122;  
604/691; D10/46.2; D7/691; 73/426; 206/499  
See application file for complete search history.

(56) **References Cited**

**U.S. PATENT DOCUMENTS**

D210,399 S \* 3/1968 Wichmann ..... D7/691  
D330,863 S \* 11/1992 Green ..... D10/46.2  
D396,011 S \* 7/1998 Henriksson ..... D10/46.2  
D404,662 S \* 1/1999 Prindle ..... D10/46.2

D425,381 S \* 5/2000 Denham et al. .... D7/691  
D437,793 S \* 2/2001 Kaposi et al. .... D10/46.2  
D579,557 S \* 10/2008 Washington ..... D24/122  
D583,635 S \* 12/2008 Ikoma et al. .... D7/691  
D598,251 S \* 8/2009 Ikoma et al. .... D7/691  
2010/0089151 A1\* 4/2010 Mantilla et al. .... 73/426  
2012/0273380 A1\* 11/2012 Hood et al. .... 206/499

\* cited by examiner

*Primary Examiner* — Ian Simmons

*Assistant Examiner* — Eleni H Aldridge

(74) *Attorney, Agent, or Firm* — Steven E. Shapiro

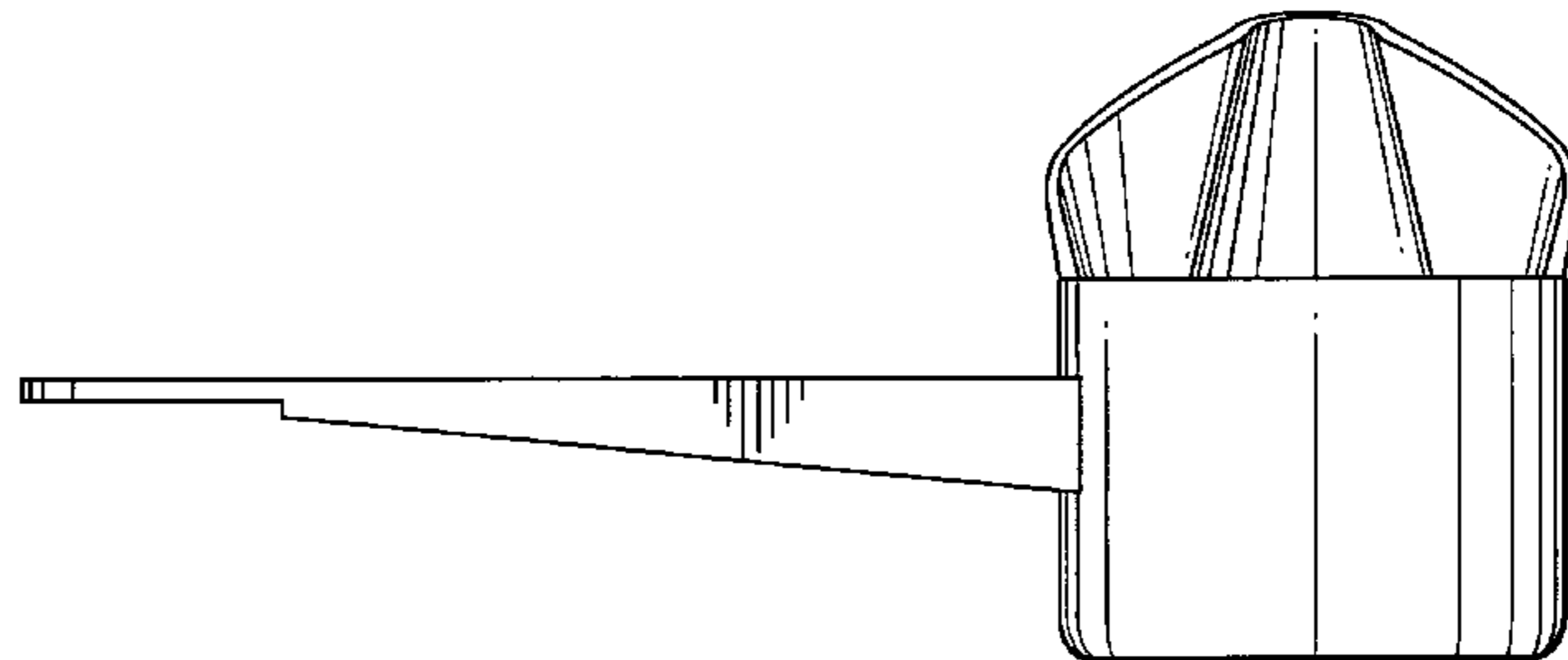
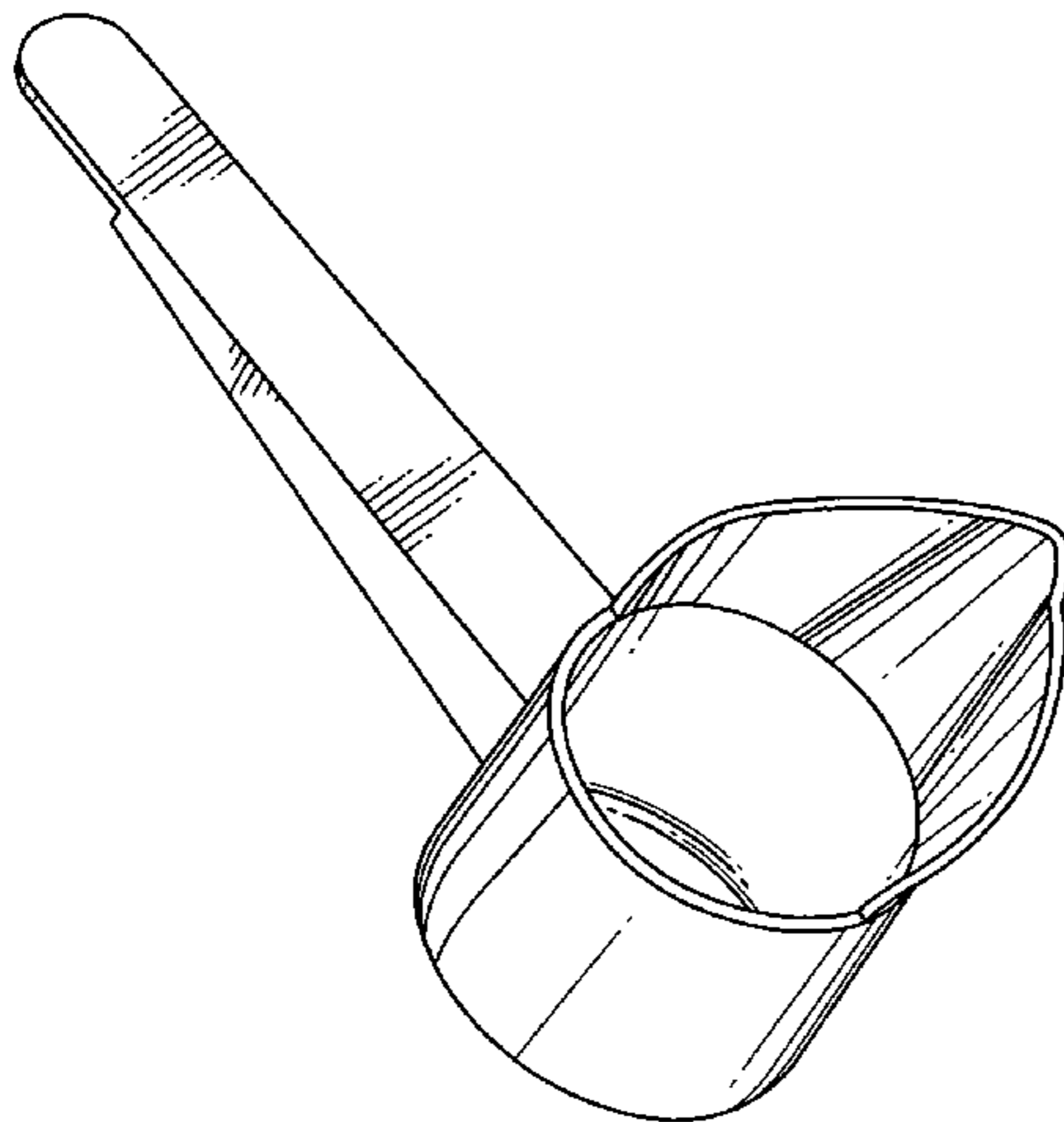
(57) **CLAIM**

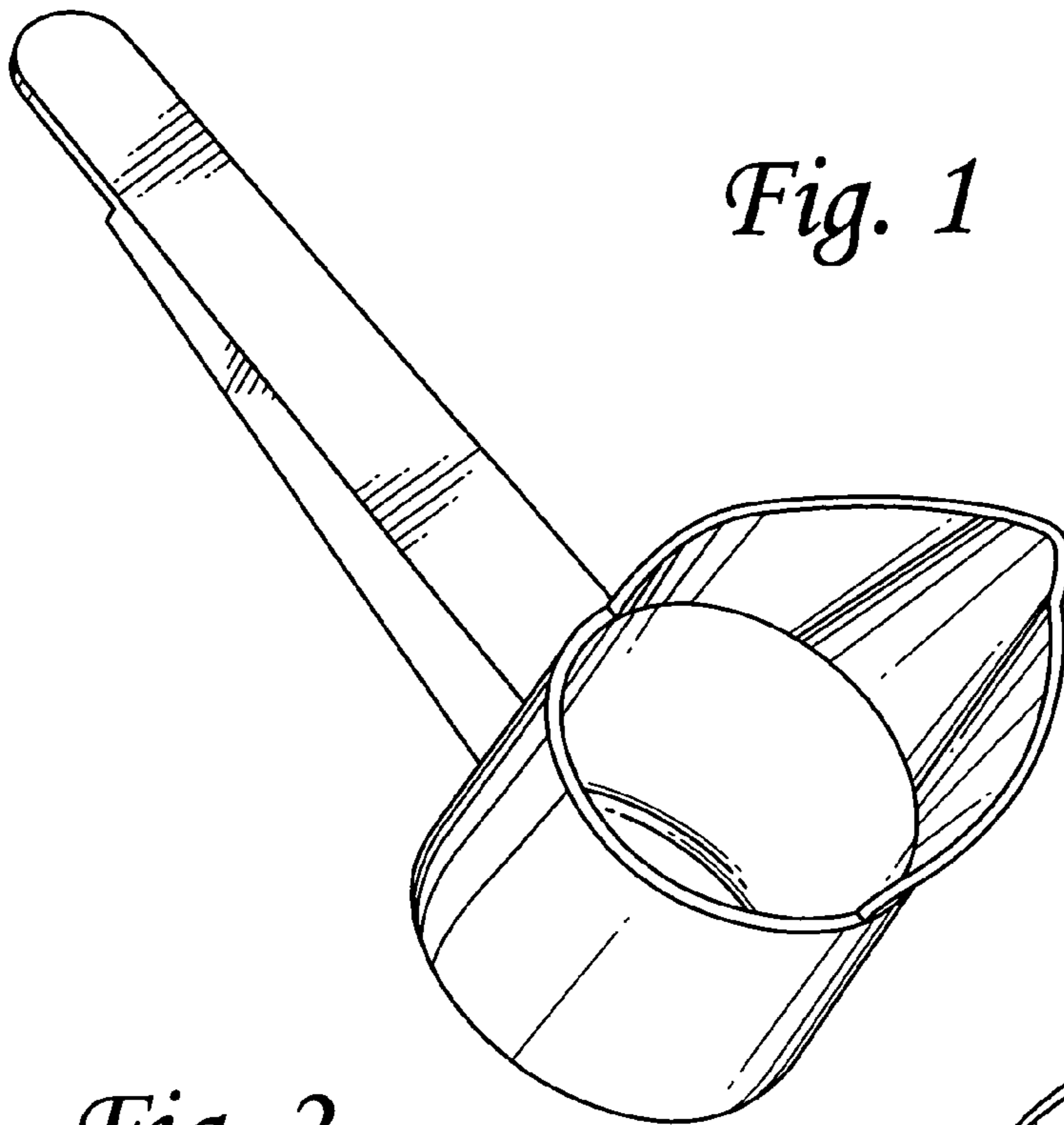
The ornamental design for a scoop with lip, as shown and described.

**DESCRIPTION**

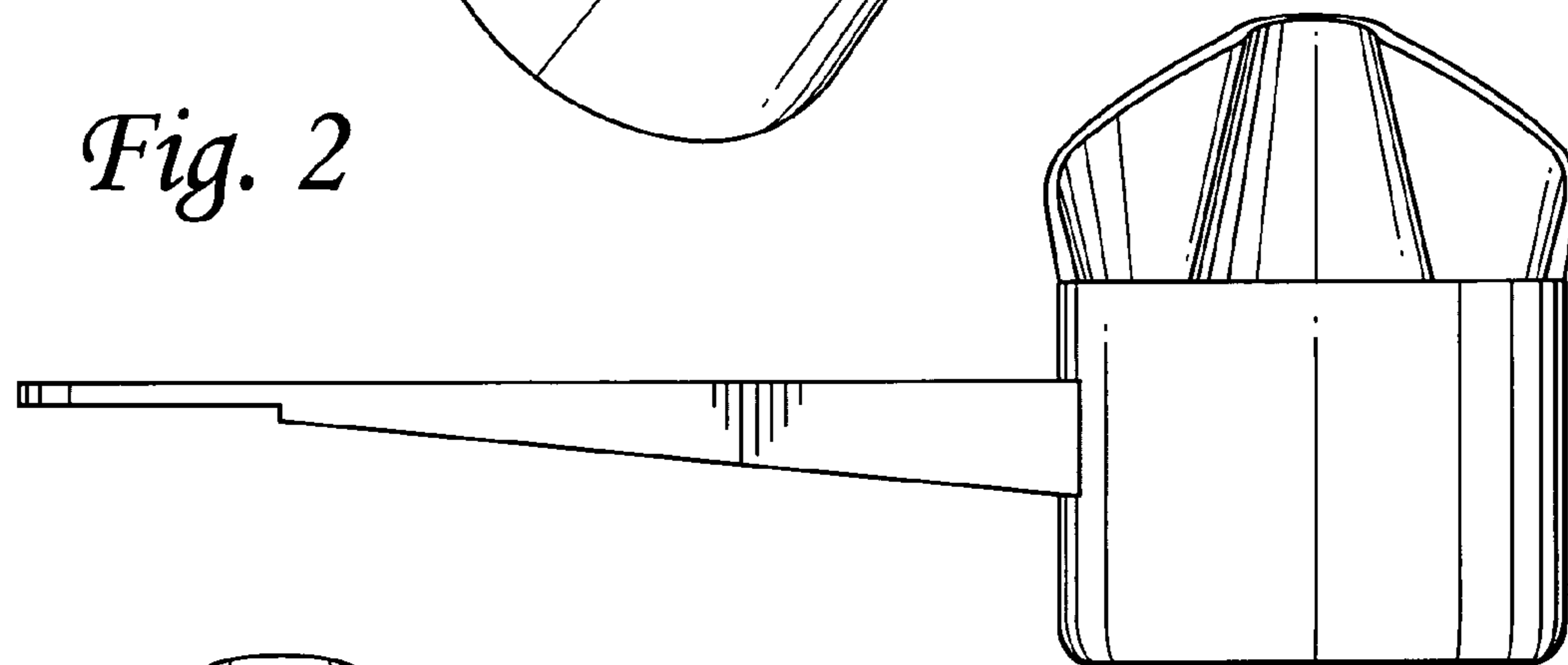
FIG. 1 is a perspective view of a scoop with lip;  
FIG. 2 is a front view of the scoop with lip;  
FIG. 3 is a rear view of the scoop with lip;  
FIG. 4 is a left side view of the scoop with lip;  
FIG. 5 is a right side view of the scoop with lip;  
FIG. 6 is a top view of the scoop with lip; and,  
FIG. 7 is a rear view of the scoop with lip.

**1 Claim, 2 Drawing Sheets**

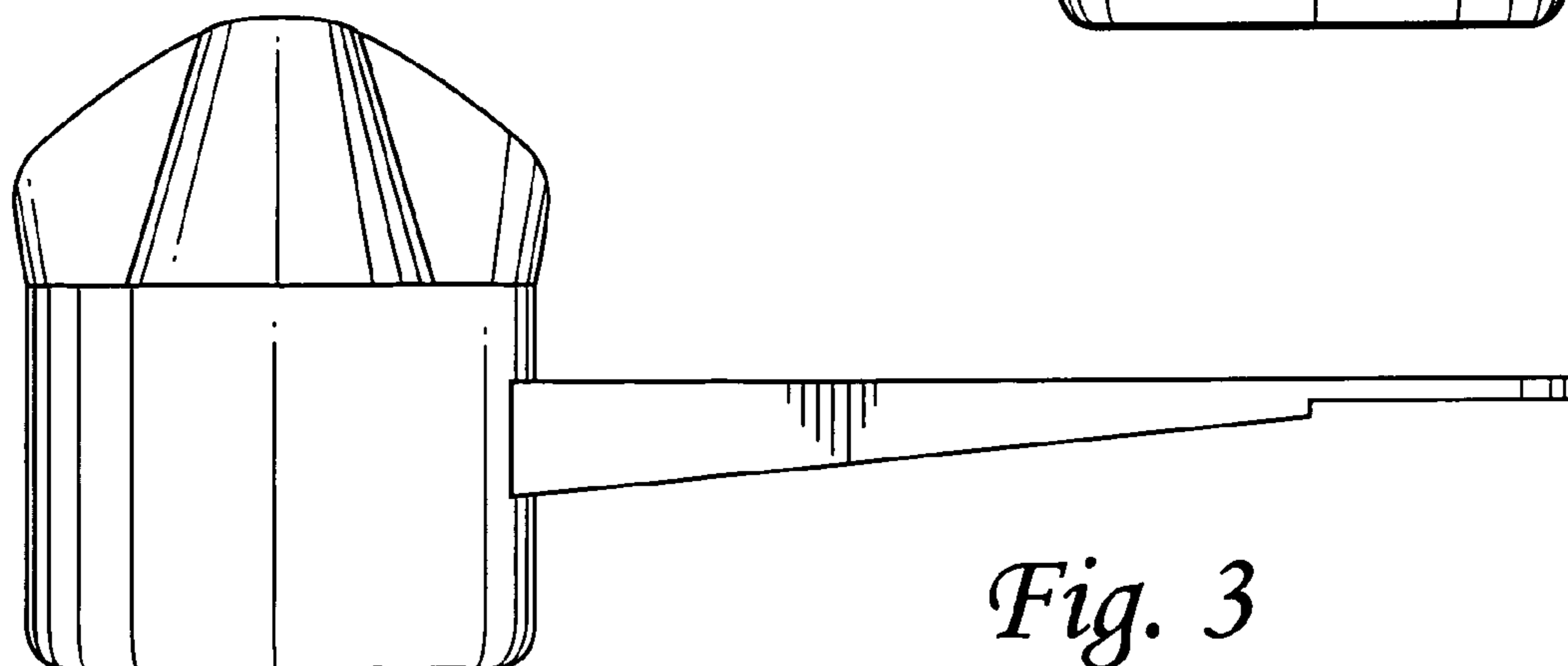




*Fig. 1*



*Fig. 2*



*Fig. 3*

