



US00D678005S

(12) **United States Design Patent**
Zemel et al.

(10) **Patent No.:** **US D678,005 S**
(45) **Date of Patent:** **** Mar. 19, 2013**

(54) **PIZZA PEEL**

(75) Inventors: **Marc Zemel**, Melville, NY (US); **Adam Schillen**, Dix Hills, NY (US)

(73) Assignee: **Mr. BAR-B-Q-, Inc.**, Old Bethpage, NY (US)

(**) Term: **14 Years**

(21) Appl. No.: **29/427,604**

(22) Filed: **Jul. 20, 2012**

(51) **LOC (9) Cl.** **07-02**

(52) **U.S. Cl.** **D7/688**

(58) **Field of Classification Search** D7/829,
D7/830, 857, 861, 368, 669, 668, 692, 691,
D7/688; 294/7, 8, 173, 27.1, 137, 32; 7/109,
7/110, 170; D10/46.2; 528/502 F; 426/482
See application file for complete search history.

(56) **References Cited**

U.S. PATENT DOCUMENTS

2,563,255 A * 8/1951 Loomis 528/502 F
4,753,472 A * 6/1988 Fout 294/32
5,213,384 A * 5/1993 Baker 294/7
D394,192 S * 5/1998 Deglon D7/688

D443,801 S * 6/2001 Short D7/688
D487,556 S * 3/2004 Siegel et al. D7/688
2004/0156963 A1* 8/2004 Amoroso 426/482

* cited by examiner

Primary Examiner — Ian Simmons

Assistant Examiner — Eleni H Aldridge

(74) *Attorney, Agent, or Firm* — Carter, DeLuca, Farrell & Schmidt LLP

(57) **CLAIM**

The ornamental design for a pizza peel, as shown and described.

DESCRIPTION

FIG. 1 is a perspective view of a pizza peel in accordance with the present design;

FIG. 2 is a right side elevational view thereof, the left side elevational view being a mirror image thereof;

FIG. 3 is a front side elevational view thereof;

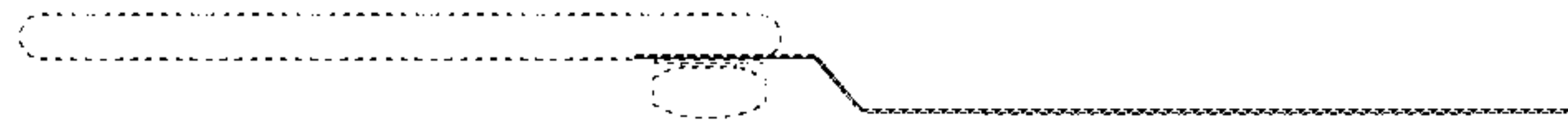
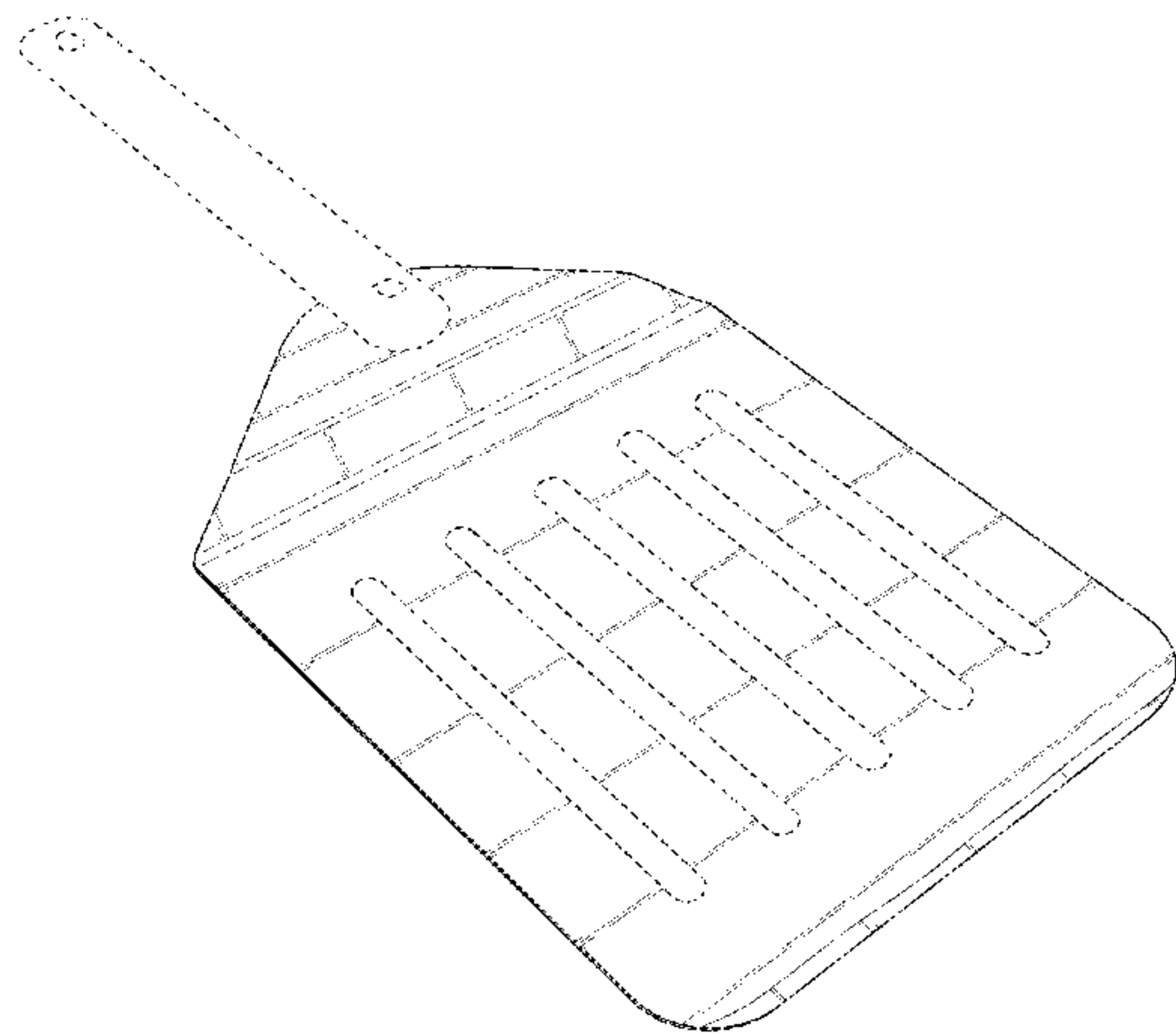
FIG. 4 is a rear elevational view thereof;

FIG. 5 is a top plan view thereof; and,

FIG. 6 is a bottom view thereof.

The broken lines shown are included for the purpose of illustrating a portion of the utensil that forms no part of the claimed design.

1 Claim, 4 Drawing Sheets



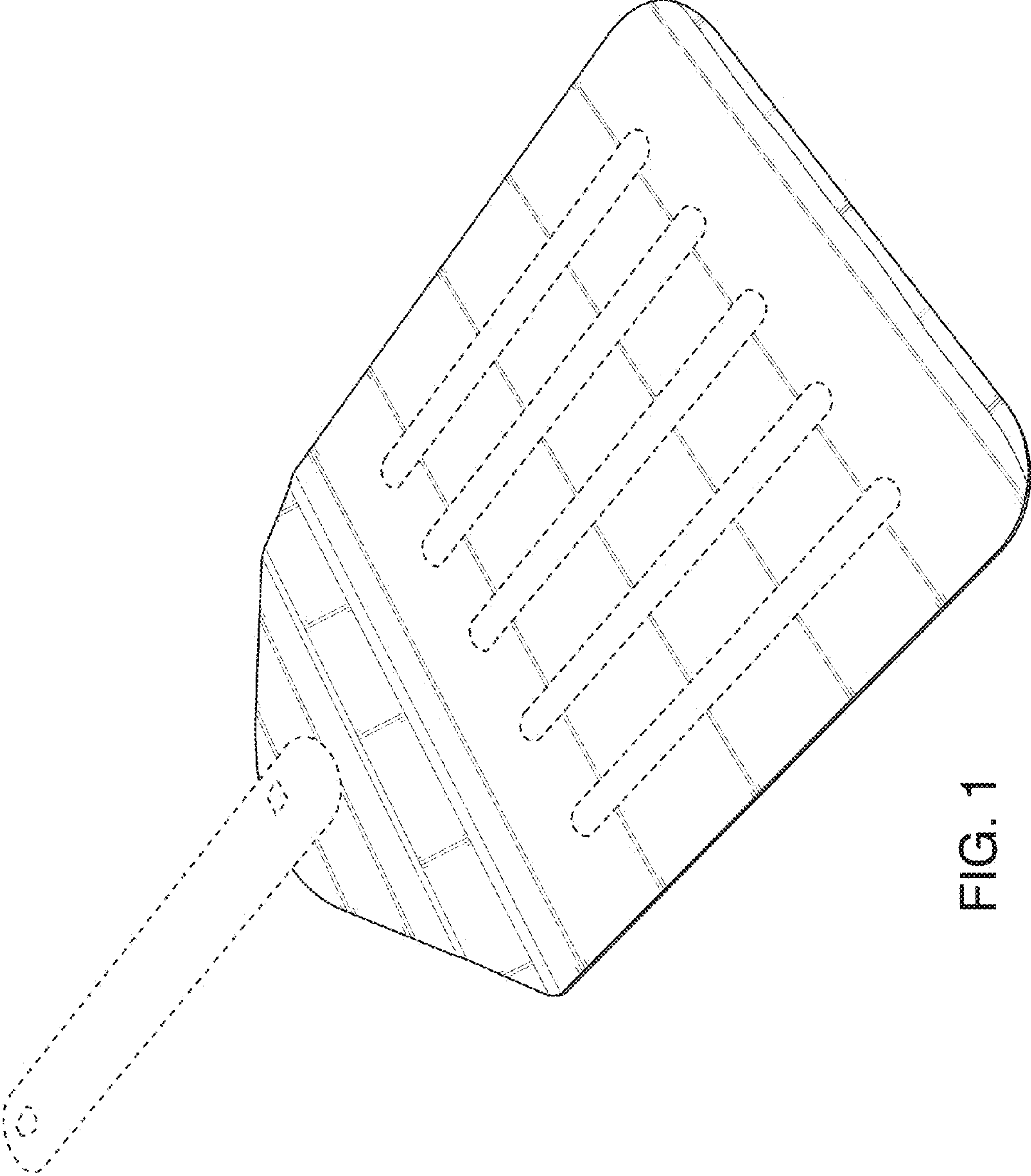


FIG. 1

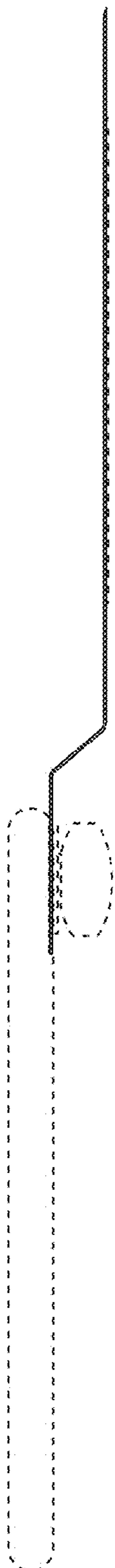


FIG. 2



FIG. 3

FIG. 4

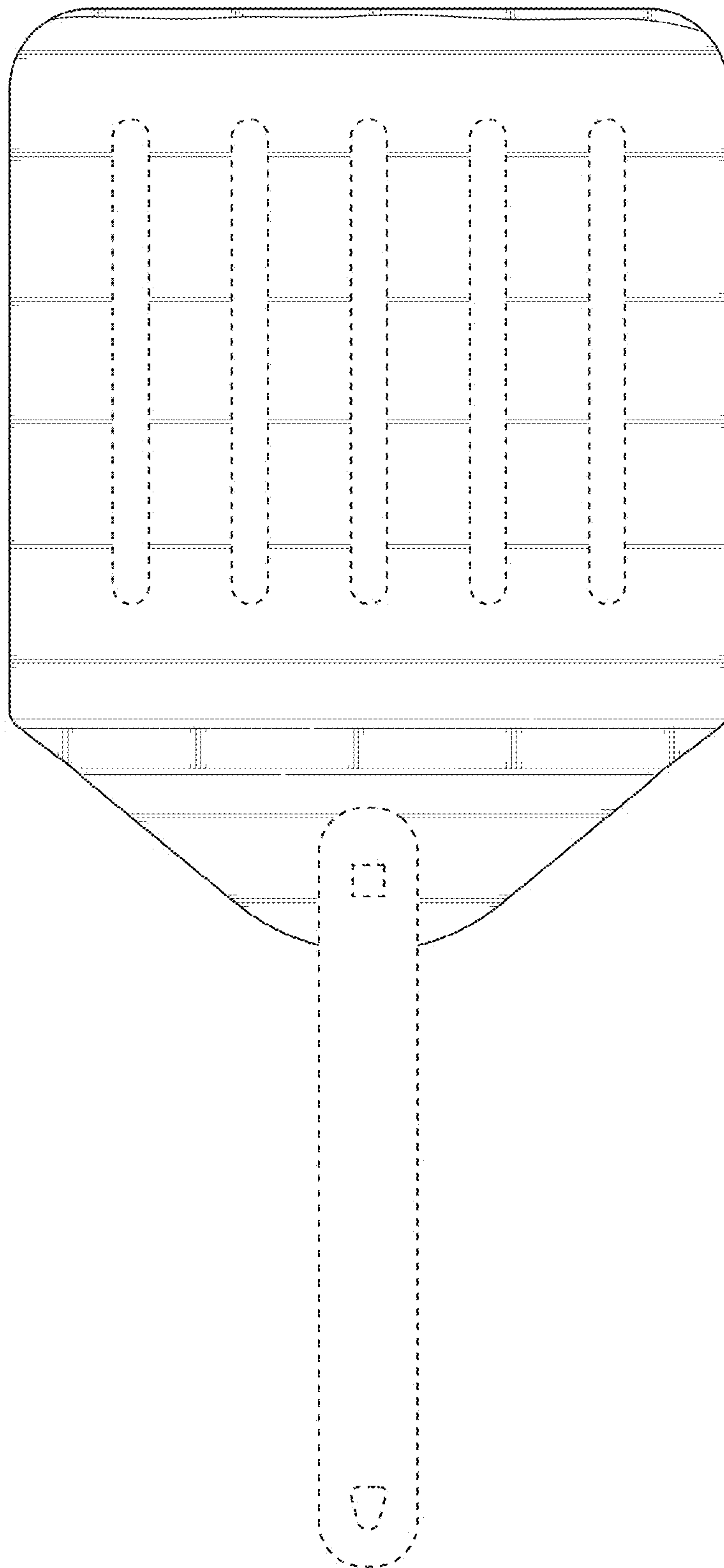


FIG. 5

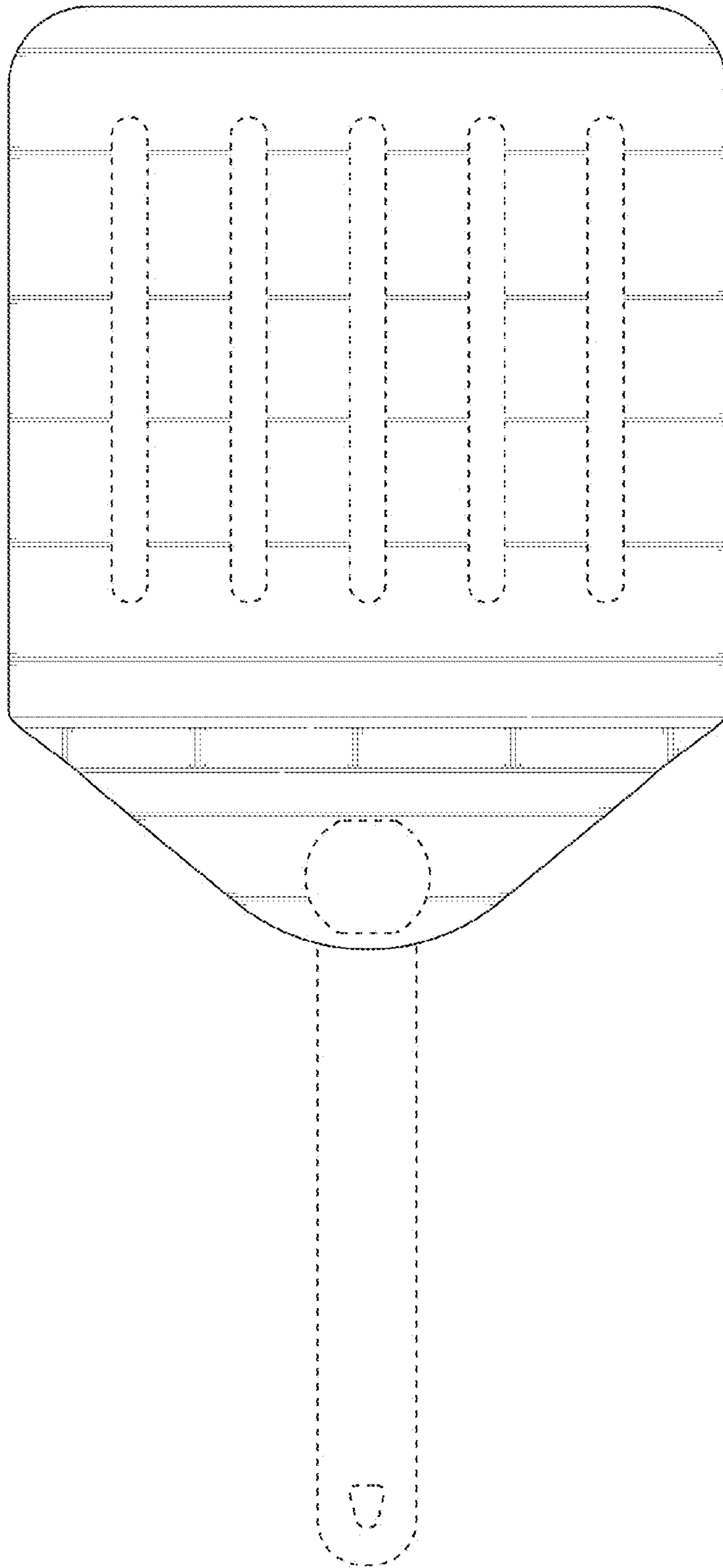


FIG. 6