



US00D677996S

(12) **United States Design Patent**
Shirley et al.

(10) **Patent No.:** **US D677,996 S**
(45) **Date of Patent:** **** Mar. 19, 2013**

- (54) **PRODUCE STORAGE CONTAINER**
 - (75) Inventors: **Nathan E. Shirley**, Orlando, FL (US);
Jan-Hendrik de Groote, Brussels (BE)
 - (73) Assignee: **Dart Industries Inc.**, Orlando, FL (US)
 - (**) Term: **14 Years**
 - (21) Appl. No.: **29/421,116**
 - (22) Filed: **May 24, 2012**
 - (51) **LOC (9) Cl.** **07-07**
 - (52) **U.S. Cl.** **D7/629**
 - (58) **Field of Classification Search** D7/629,
D7/602, 601, 538-542; D9/424-432; 220/780-806,
220/574-575, 675, 573.1, 660, 260, 288,
220/326, 236, 4.21, 4.24, 4.27, 669-673,
220/23.83, 23.4
- See application file for complete search history.

(56) **References Cited**

U.S. PATENT DOCUMENTS

2,141,013	A	12/1938	Nicholson	
2,492,846	A	12/1949	Coyle et al.	
2,673,003	A	3/1954	Stewart	
2,938,649	A	5/1960	Debs	
D223,144	S	3/1972	Bloch	
D224,587	S	8/1972	Jewell	
4,000,830	A	1/1977	French	
D268,560	S	4/1983	Daenen et al.	
D272,505	S	2/1984	Daenen et al.	
4,597,503	A	7/1986	Lates	
5,048,707	A	9/1991	Hallberg	
5,839,601	A	11/1998	Van Melle	
5,938,062	A	8/1999	Paramski	
6,029,843	A	2/2000	Kroscher et al.	
D424,298	S	5/2000	Laib	
D446,419	S	8/2001	Ming-Shiue	
6,367,651	B2	4/2002	Laib et al.	
D465,382	S	11/2002	Wolf et al.	
D465,969	S	11/2002	Morin	
D468,154	S	1/2003	Klock et al.	
D475,239	S	6/2003	Claypool	
D476,567	S	7/2003	Weiss et al.	
D512,278	S *	12/2005	Schultz et al.	D7/629
D572,587	S	7/2008	Rush et al.	
D573,846	S *	7/2008	Moghavem	D7/629
D583,191	S	12/2008	Wong	
7,611,029	B2	11/2009	Wong	
7,678,271	B2	3/2010	Curtin	
7,845,510	B2	12/2010	Schmidtner et al.	

7,850,037	B2	12/2010	Schmidtner et al.
7,874,447	B2	1/2011	Schmidtner et al.
2008/0203092	A1	8/2008	Stamper et al.
2011/0180543	A1	7/2011	Rusnak et al.

FOREIGN PATENT DOCUMENTS

AU 139808 3/1999

OTHER PUBLICATIONS

Progressive International Corp.; Packaging for Collapsible Produce Keeper (two pages); © 2011.

* cited by examiner

Primary Examiner — Terry Wallace

(74) Attorney, Agent, or Firm — John A. Doninger

(57) **CLAIM**

The ornamental design for a produce storage container, as shown and described.

DESCRIPTION

FIG. 1 is a top, front and right side perspective view of the first embodiment of a produce storage container showing our new design;

FIG. 2 is a bottom, front and left side perspective view thereof;

FIG. 3 is a front elevation view thereof;

FIG. 4 is a rear elevation view thereof;

FIG. 5 is a right side elevation view thereof;

FIG. 6 is a left side elevation view thereof;

FIG. 7 is a top plan view thereof;

FIG. 8 is a bottom plan view thereof;

FIG. 9 is a top, front and right side perspective view of the second embodiment of a produce storage container showing our new design;

FIG. 10 is a bottom, front and left side perspective view thereof;

FIG. 11 is a front elevation view thereof;

FIG. 12 is a rear elevation view thereof;

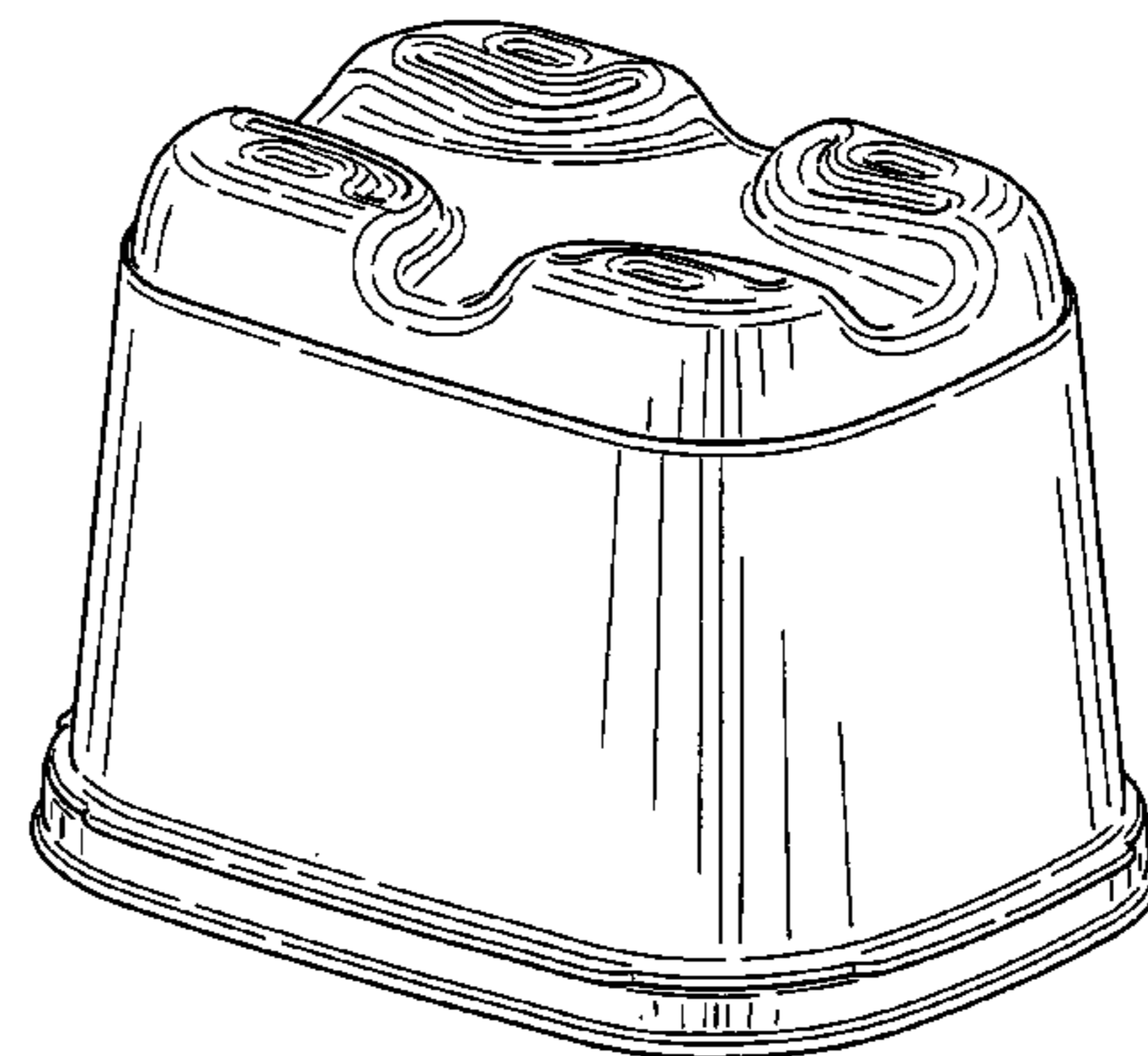
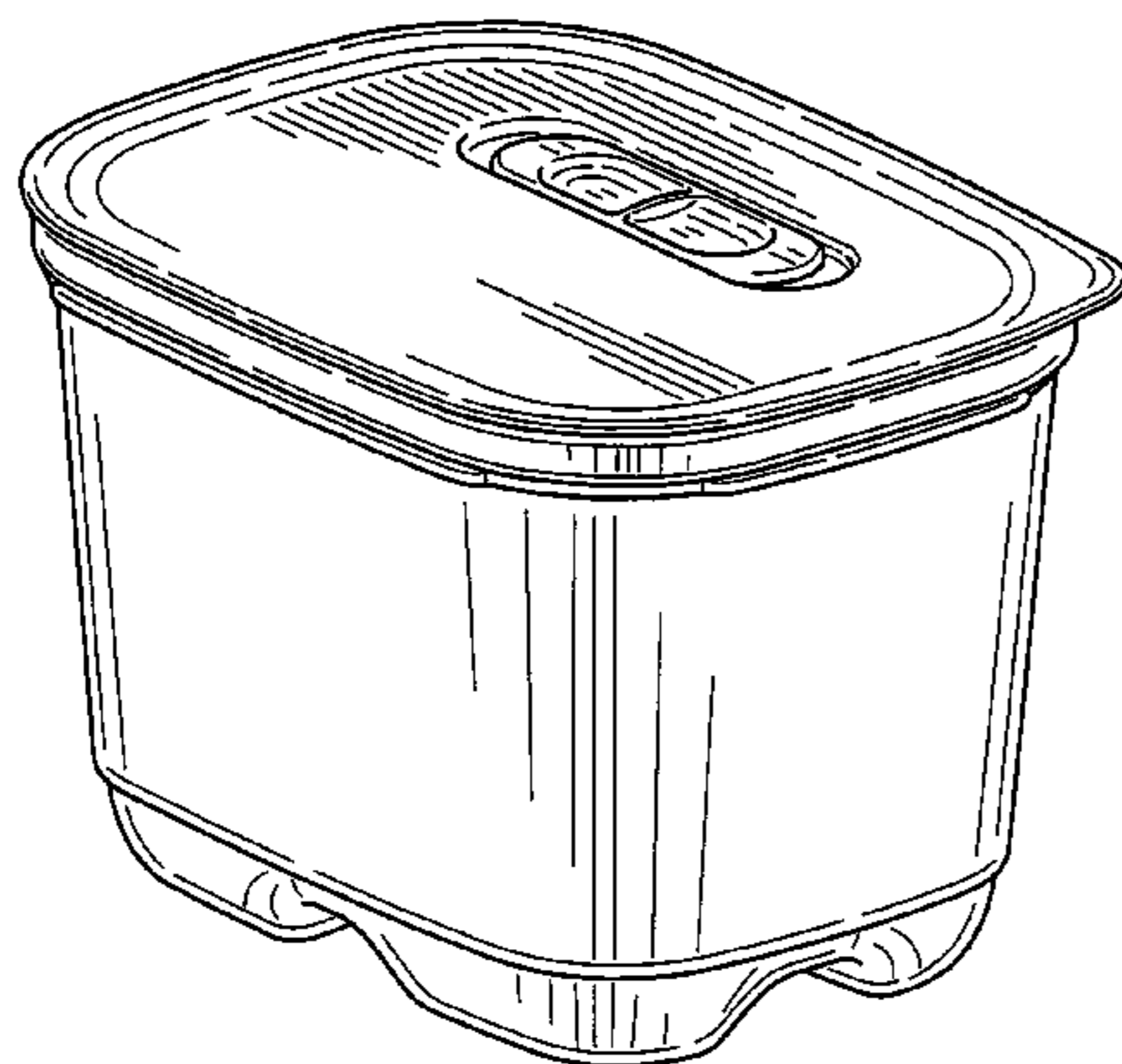
FIG. 13 is a right side elevation view thereof;

FIG. 14 is a left side elevation view thereof;

FIG. 15 is a top plan view thereof; and,

FIG. 16 is a bottom plan view thereof.

1 Claim, 7 Drawing Sheets



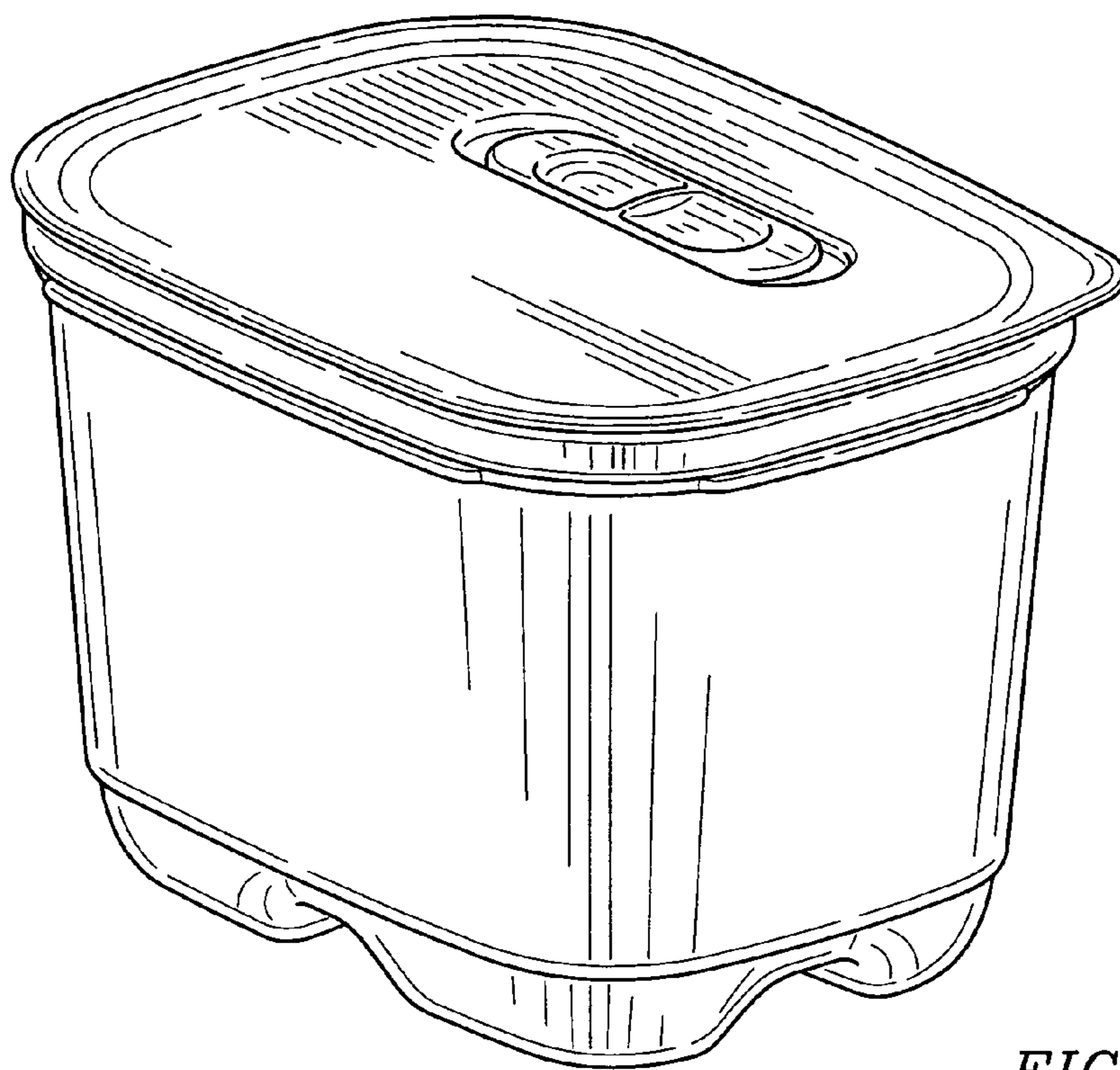


FIG. 1

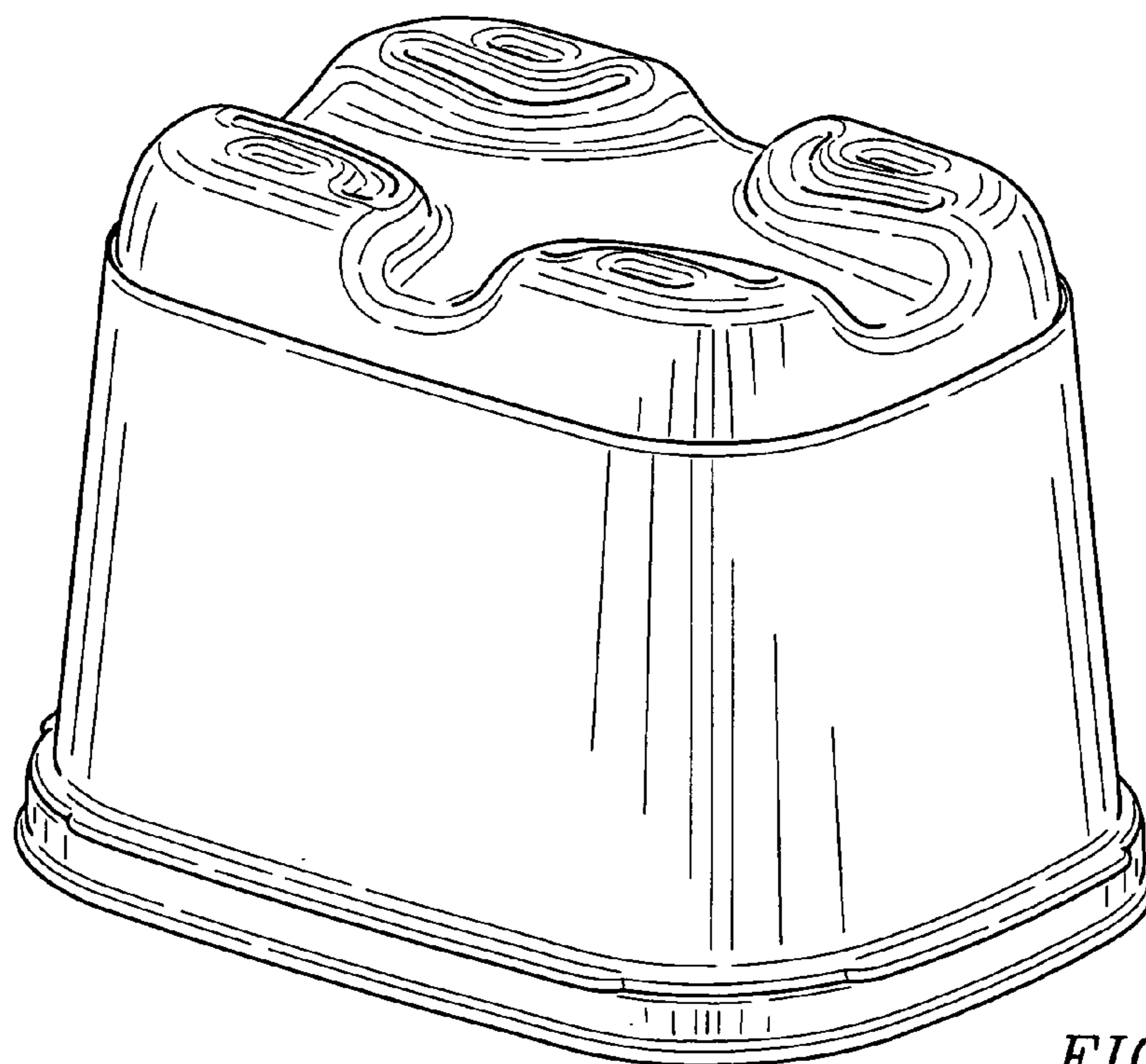


FIG. 2

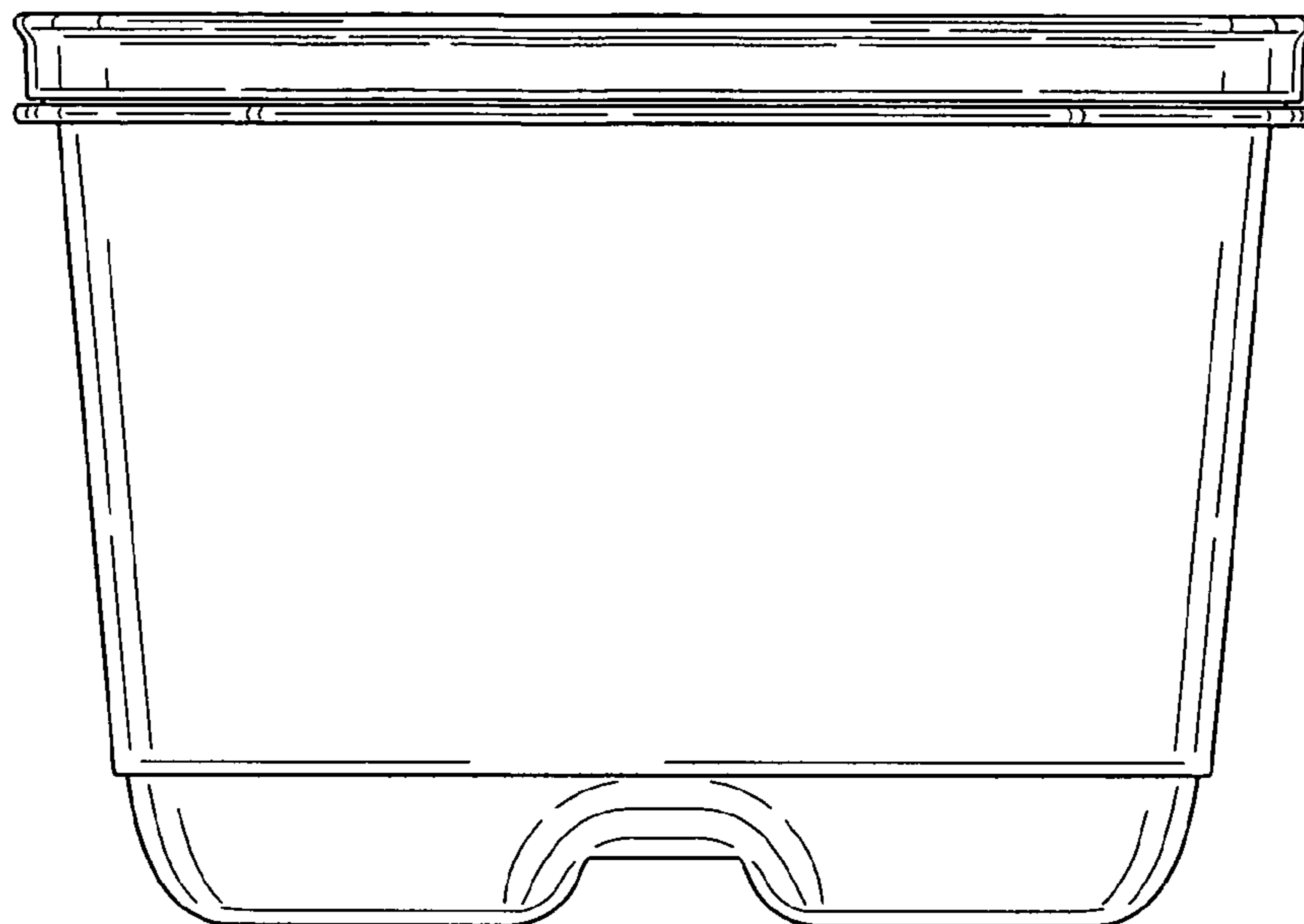


FIG. 3

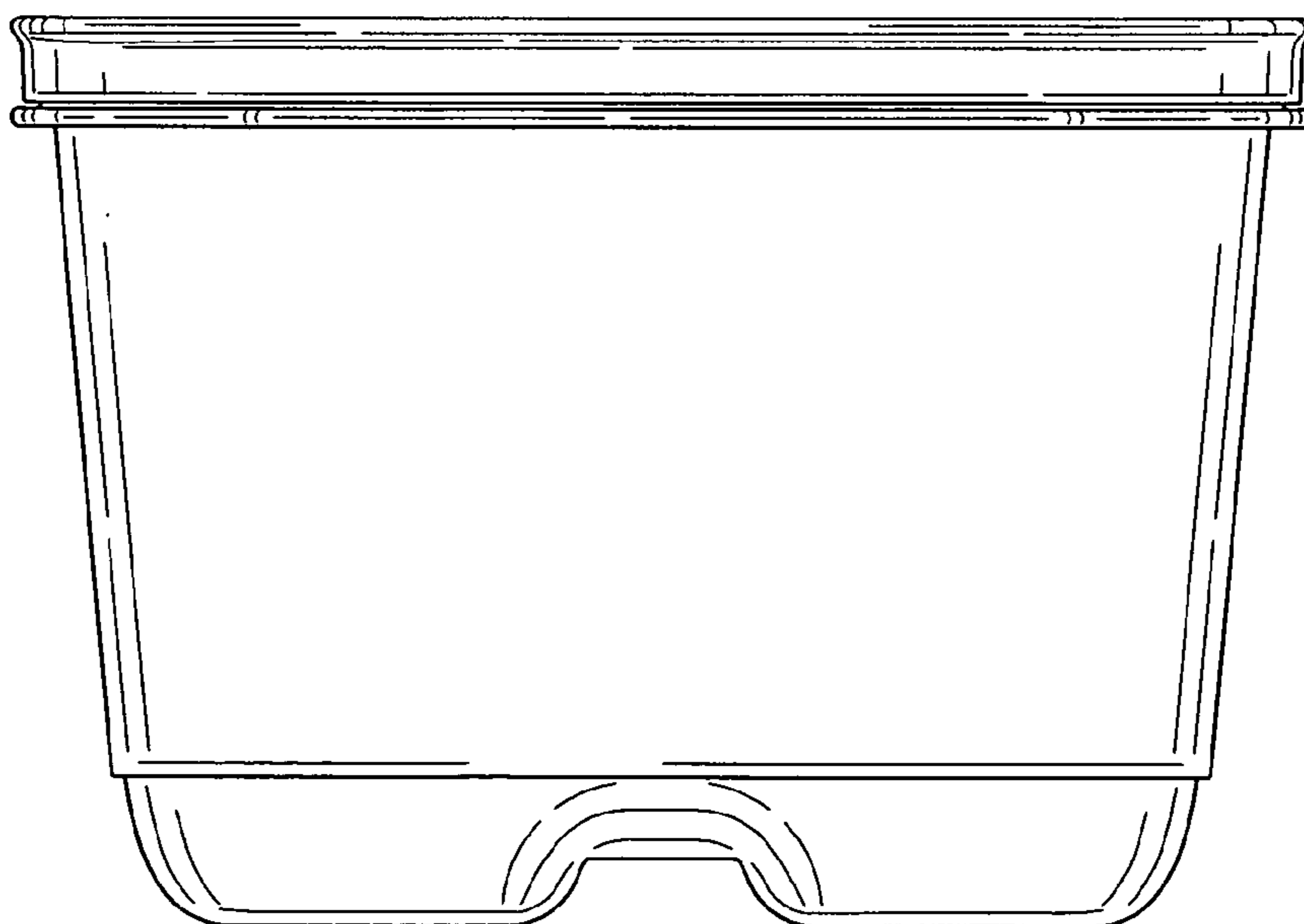


FIG. 4

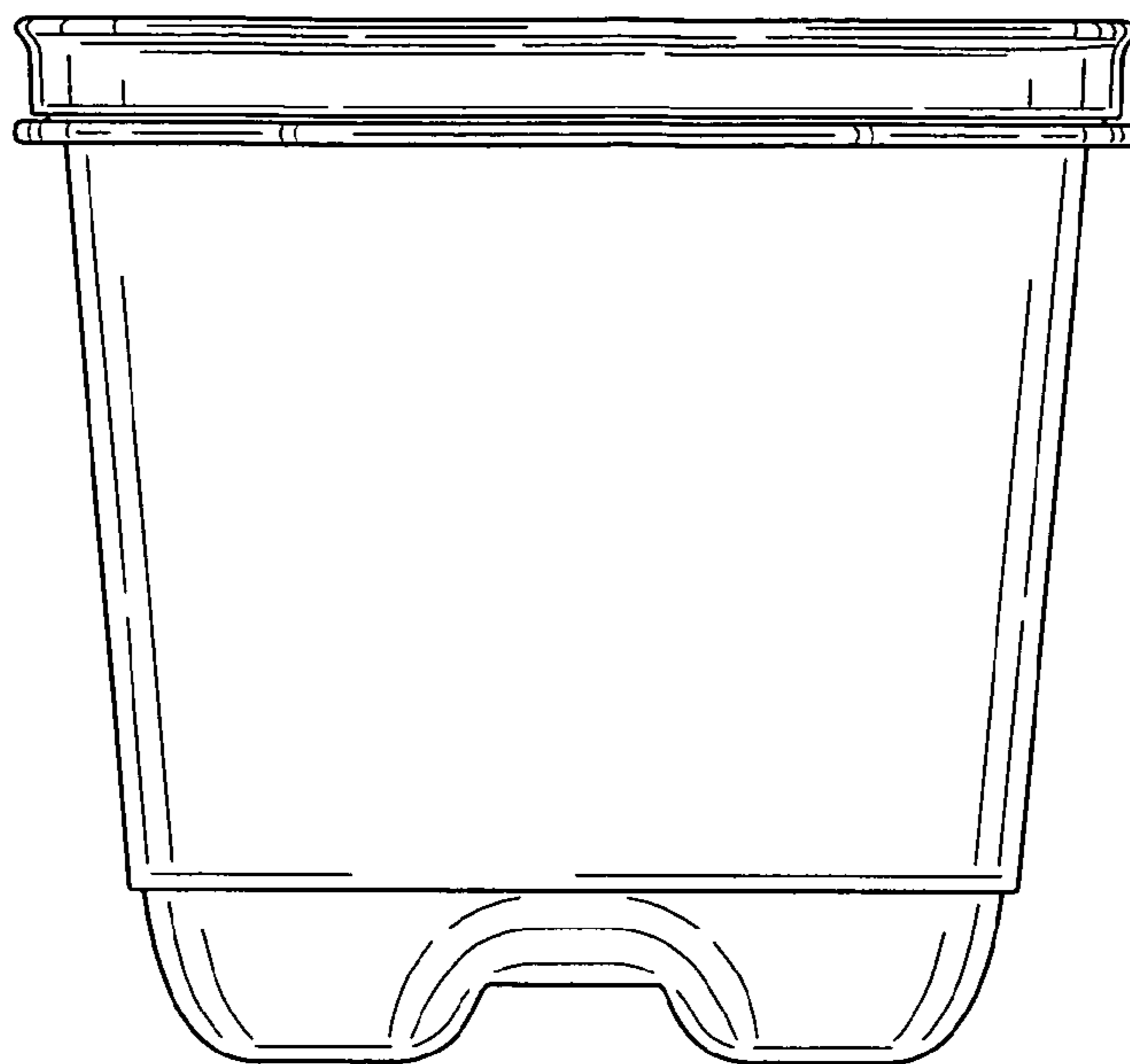


FIG. 5

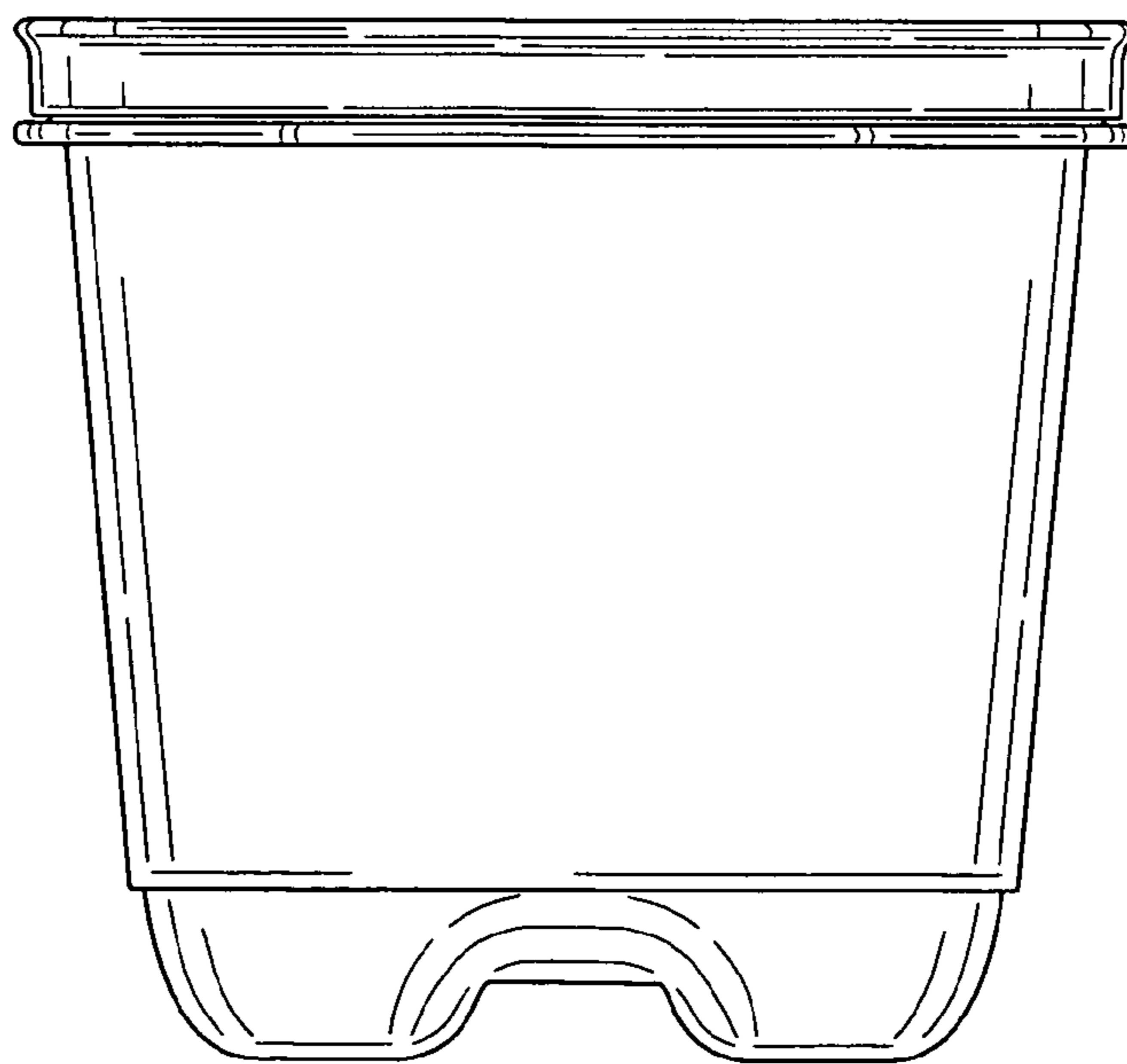


FIG. 6

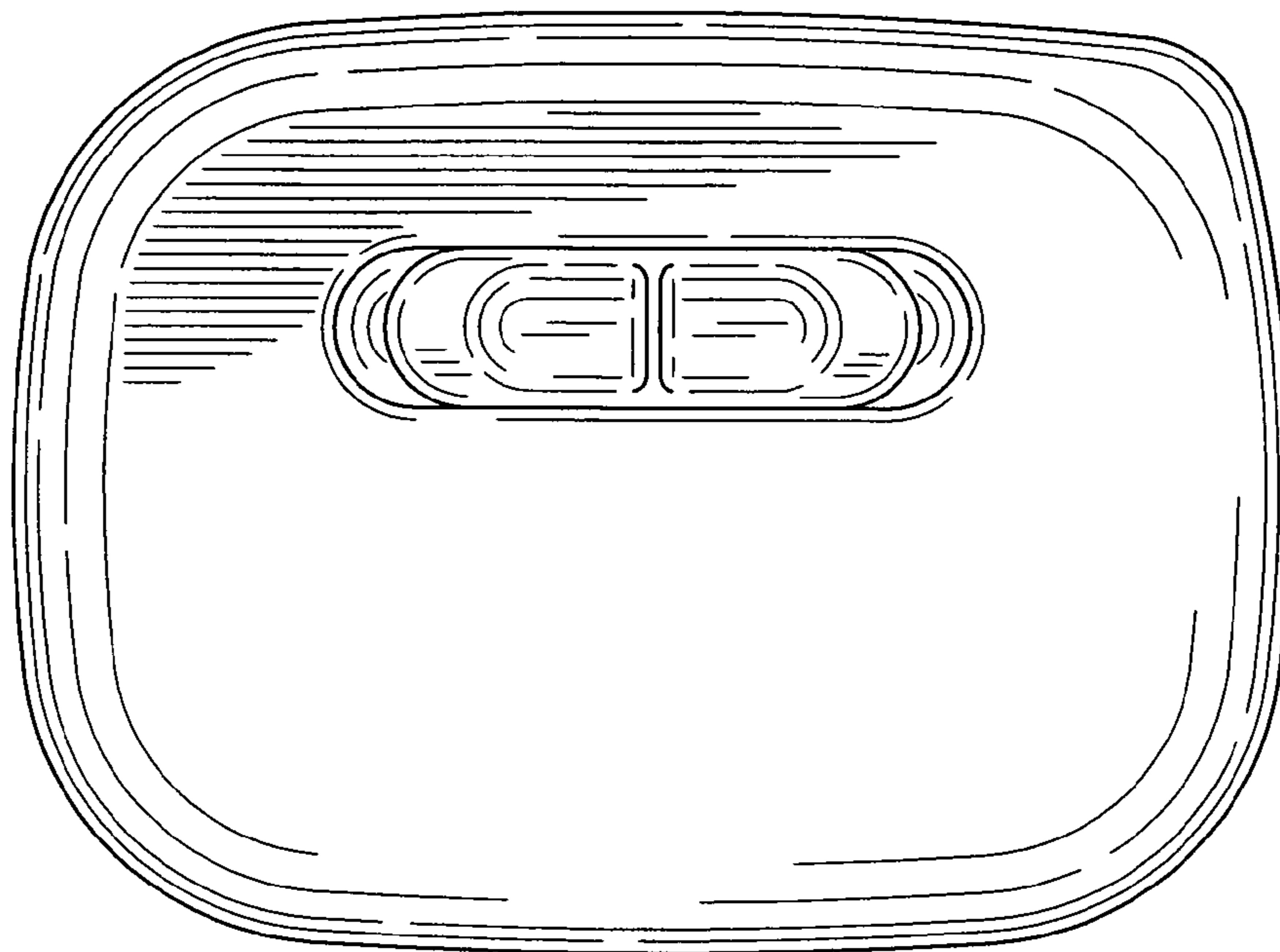


FIG. 7

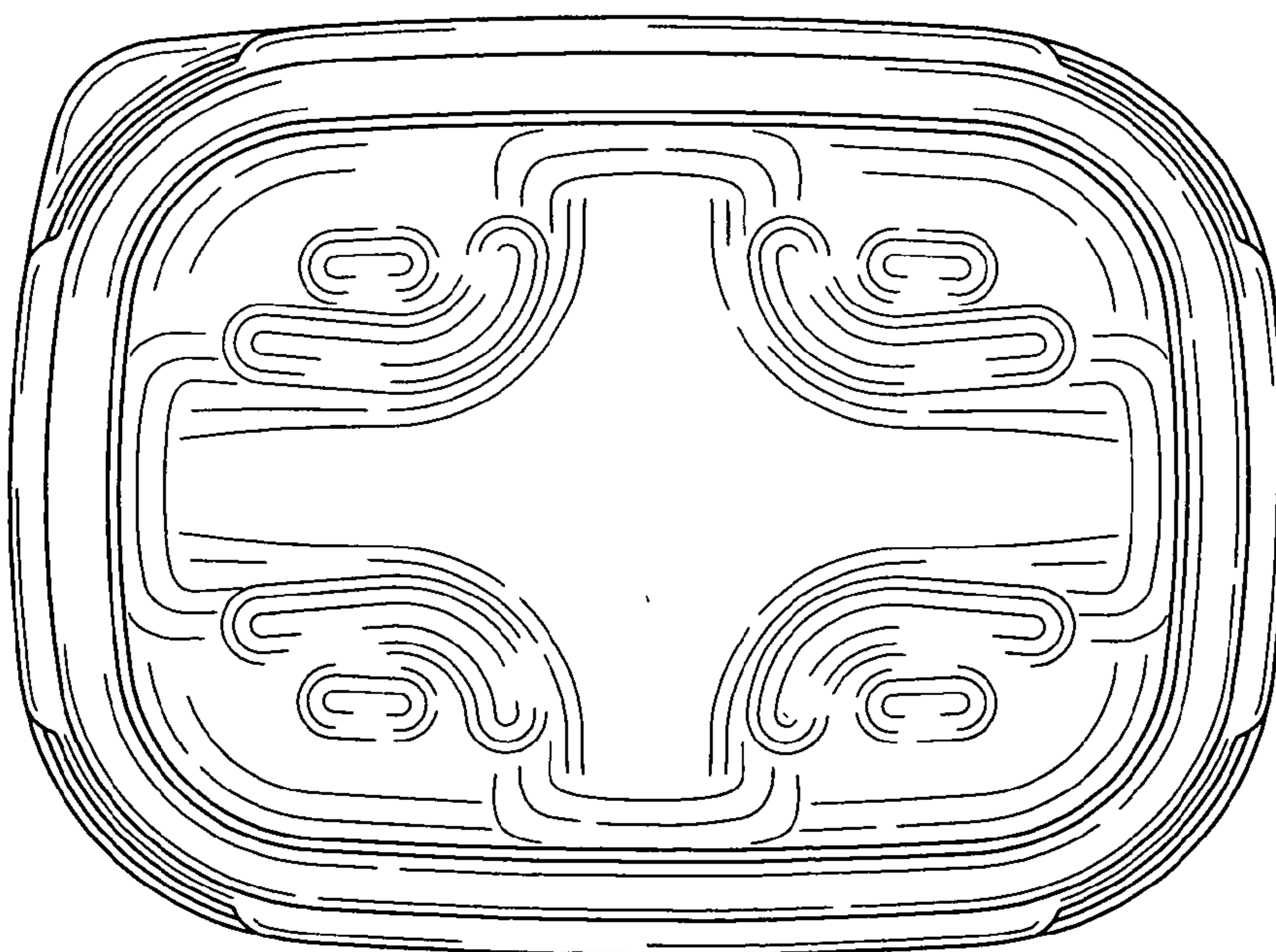


FIG. 8

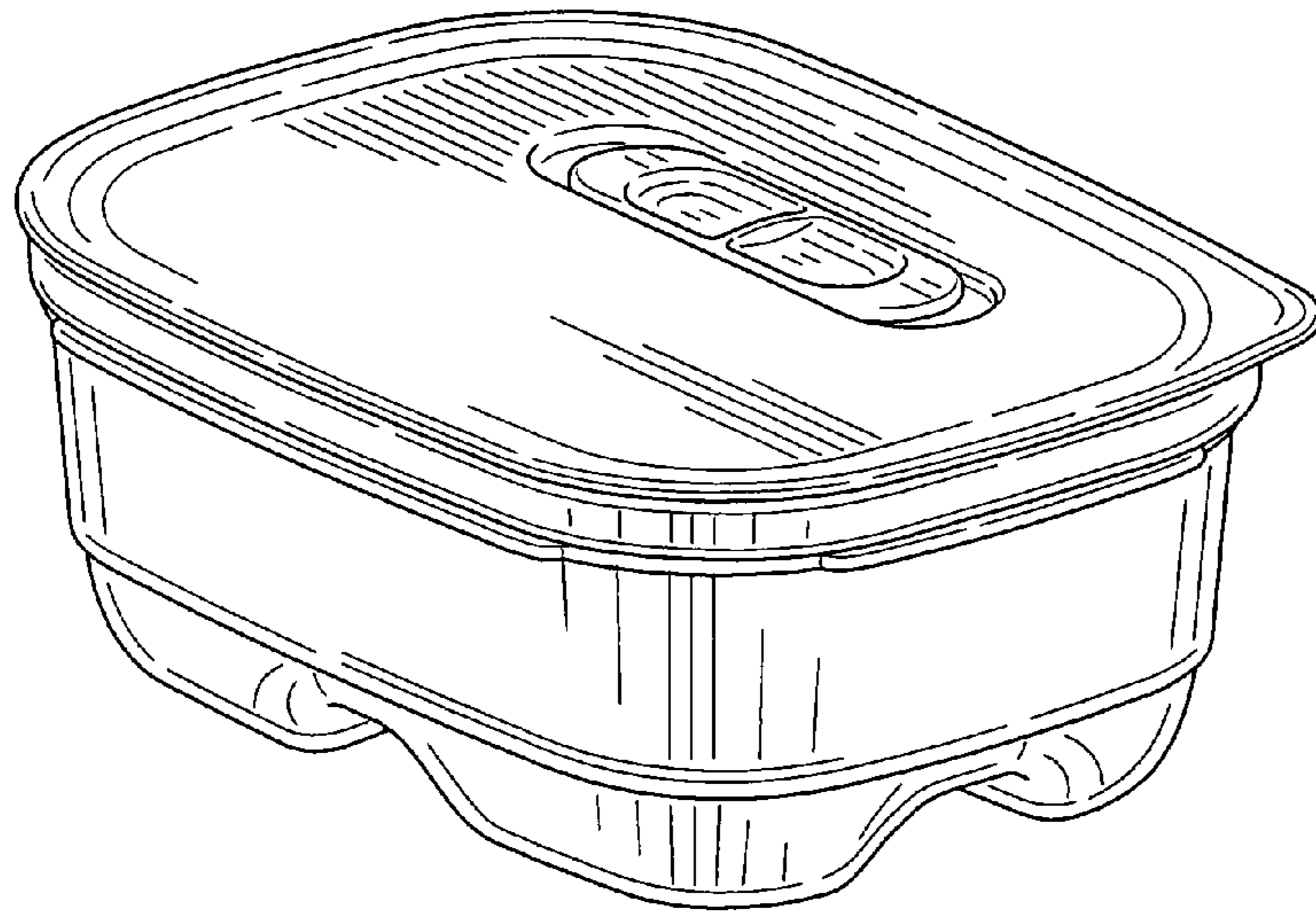


FIG. 9

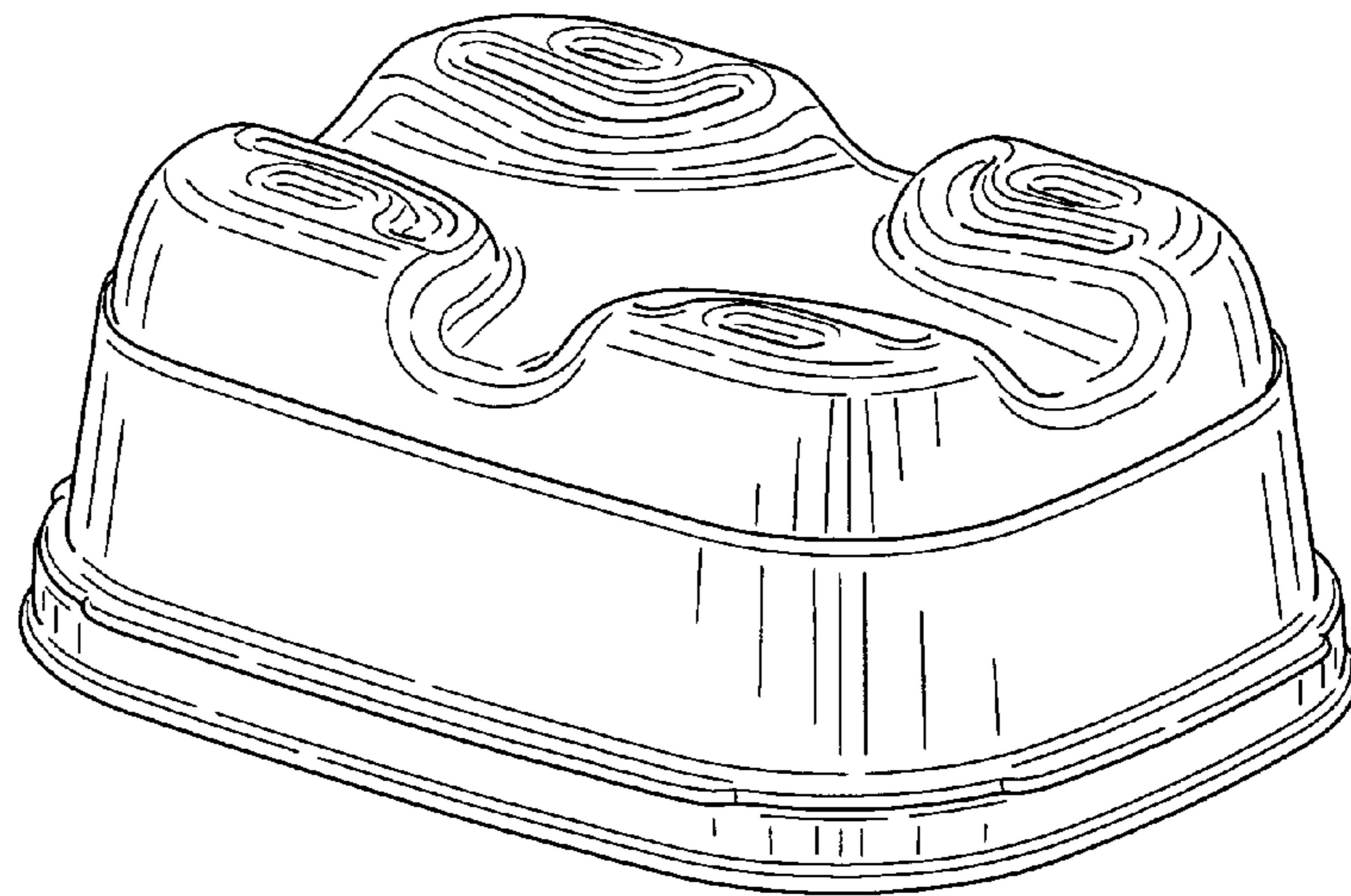


FIG. 10

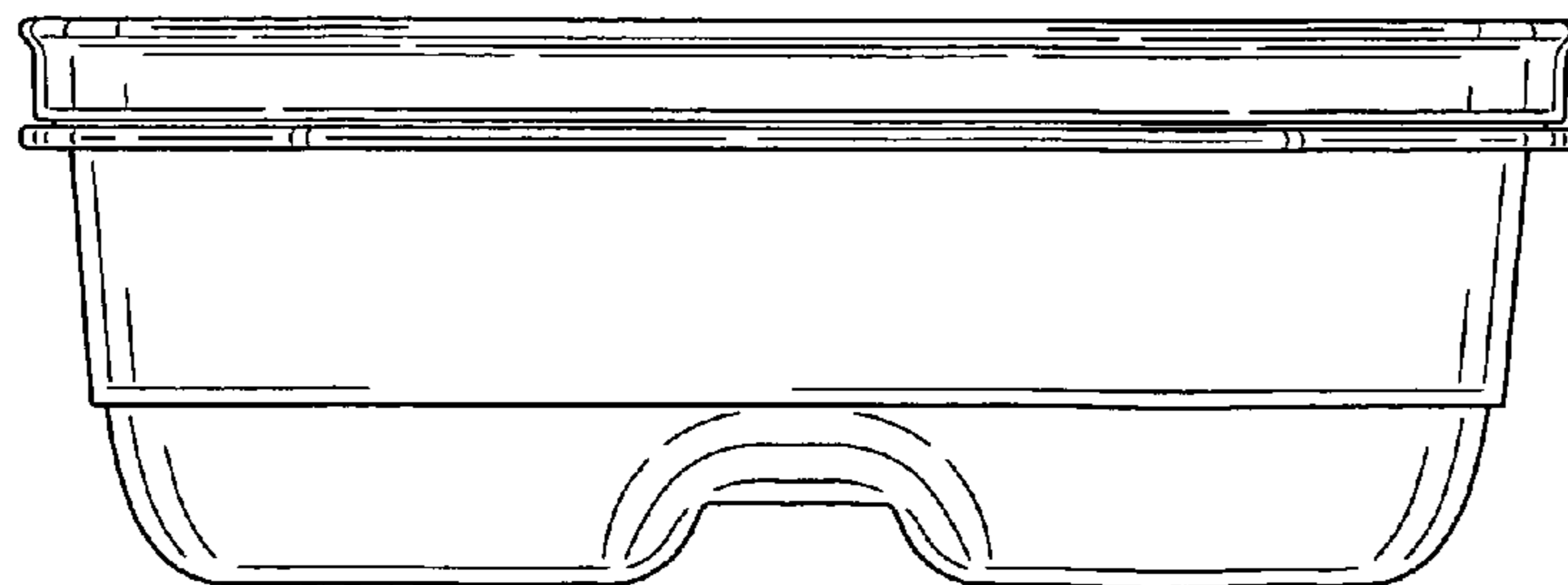


FIG. 11

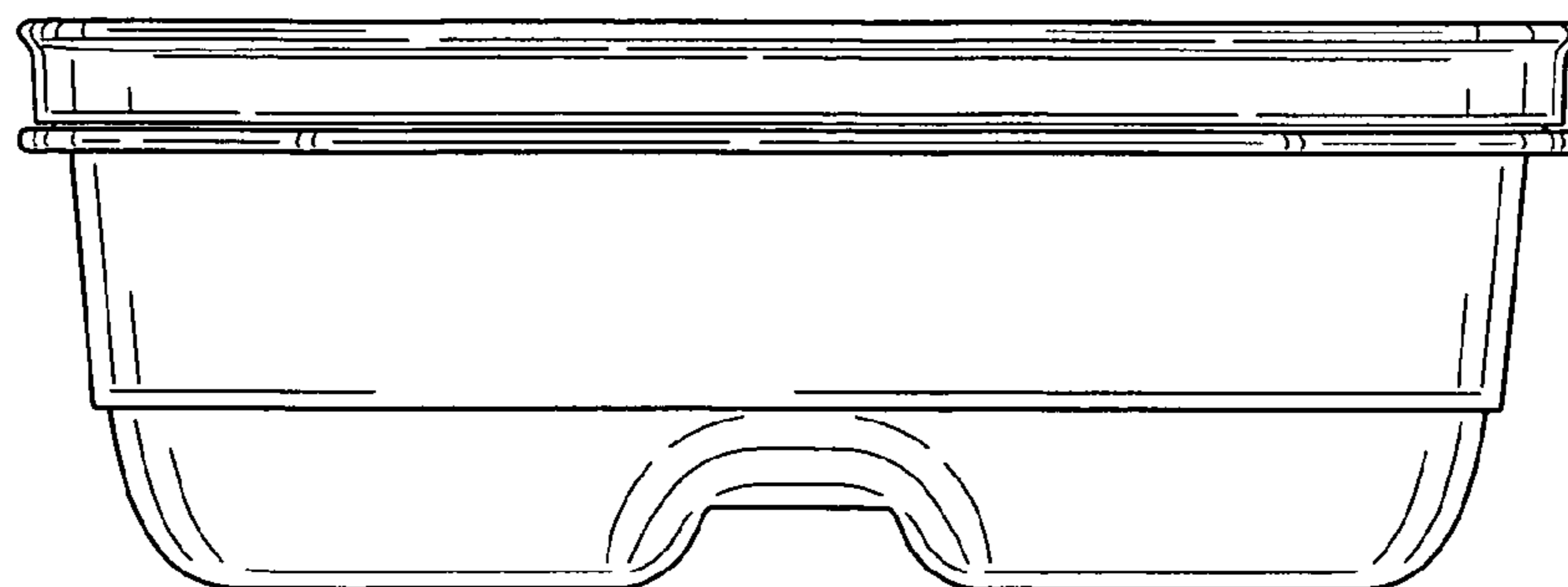


FIG. 12

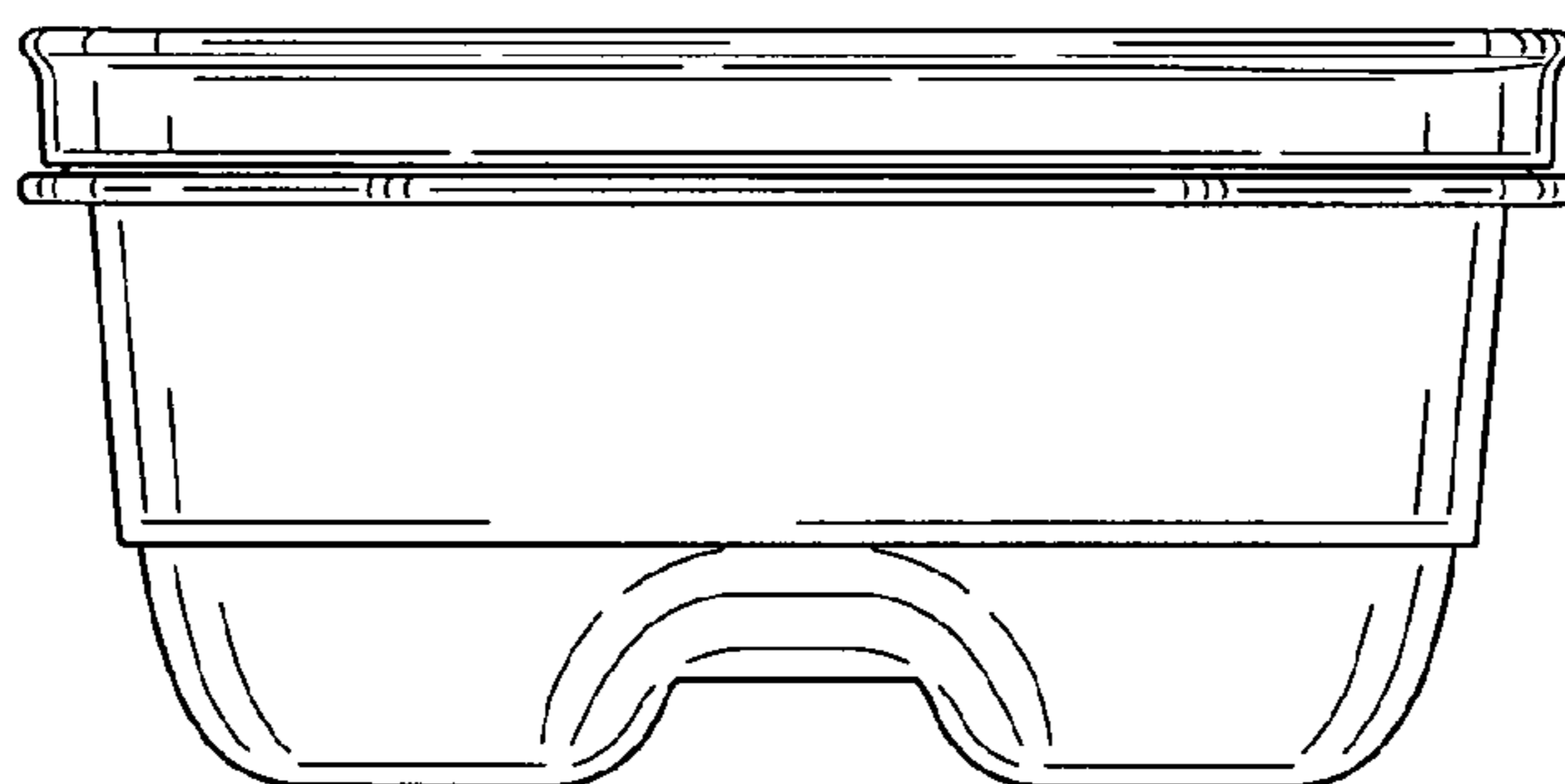


FIG. 13

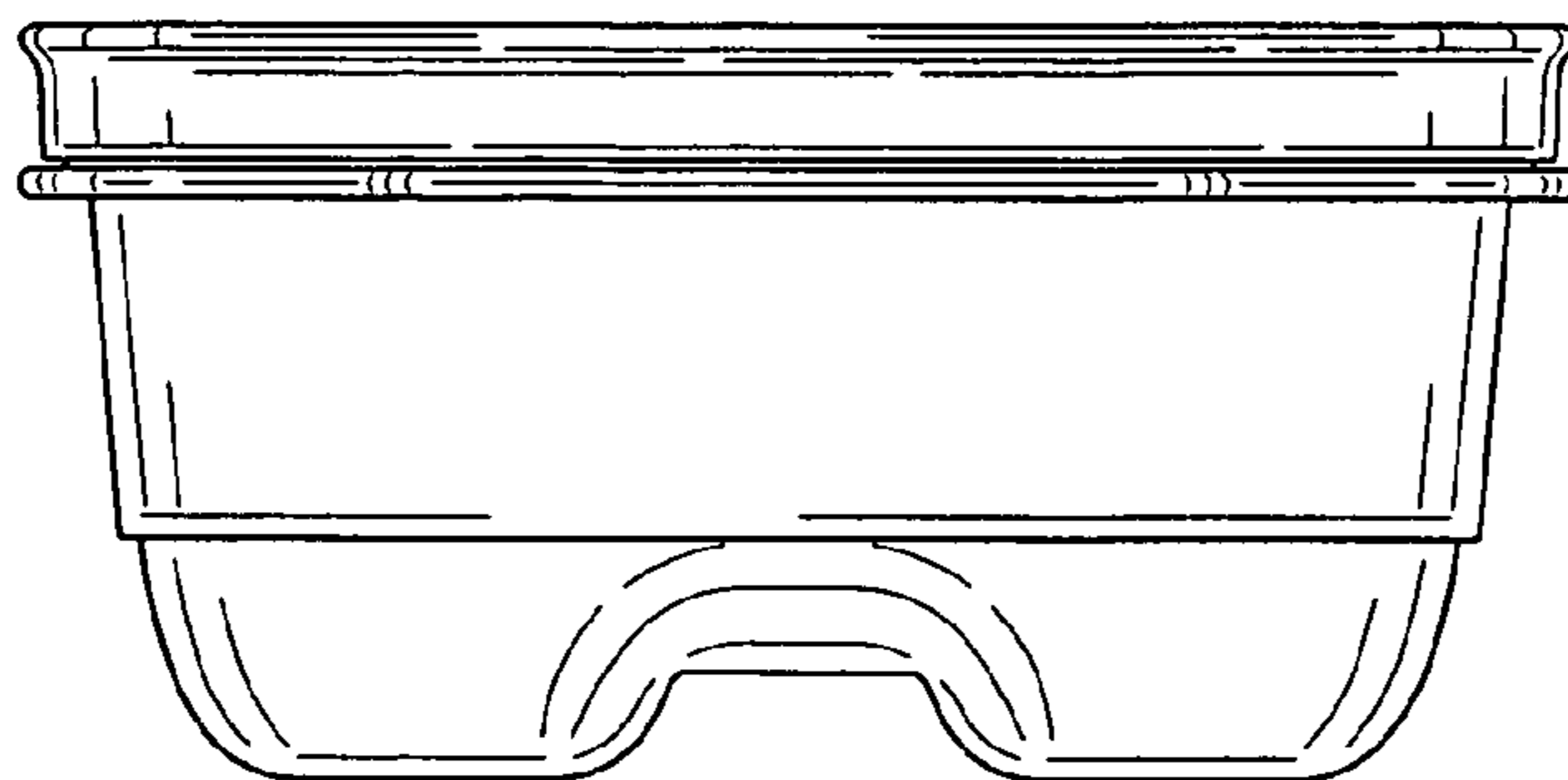


FIG. 14

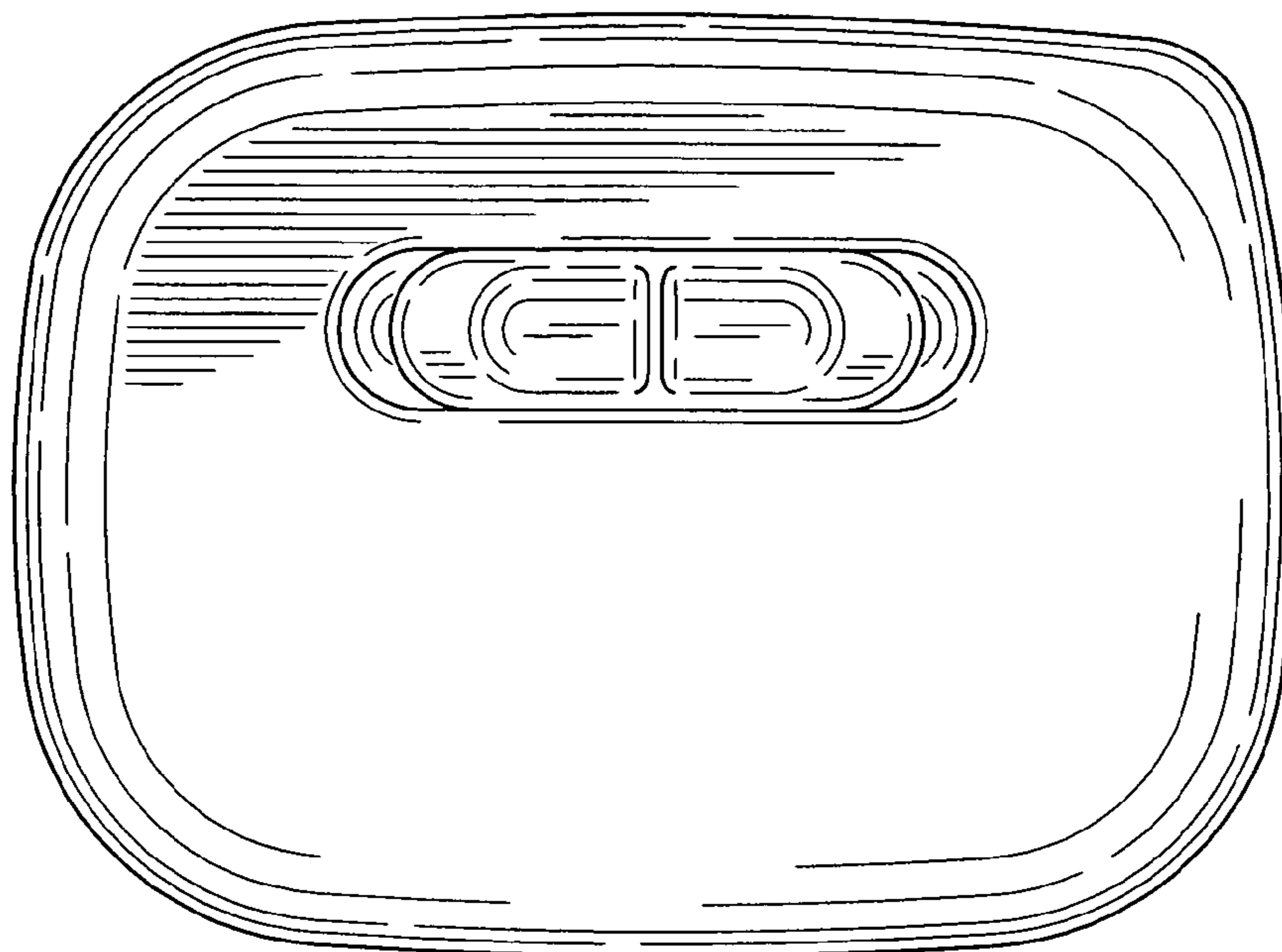


FIG. 15

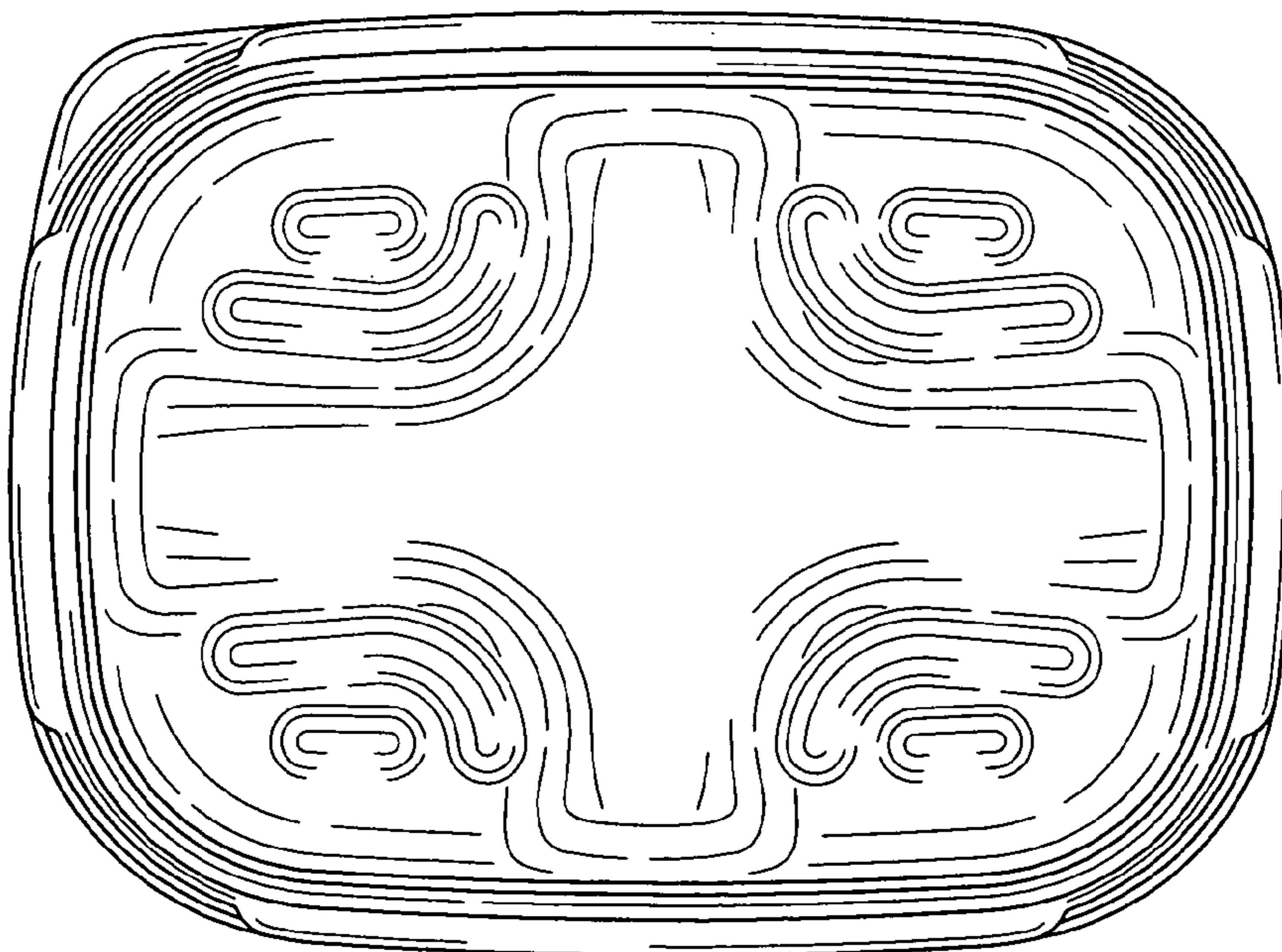


FIG. 16