



US00D677994S

(12) **United States Design Patent**
Williams

(10) **Patent No.:** **US D677,994 S**
(45) **Date of Patent:** **** Mar. 19, 2013**

(54) **COASTER**

(75) **Inventor:** **Elizabeth A. Williams**, Broken Arrow, OK (US)

(73) **Assignee:** **Firefly Industries, Inc.**, Tulsa, OK (US)

(**) **Term:** **14 Years**

(21) **Appl. No.:** **29/398,103**

(22) **Filed:** **Jul. 26, 2011**

(51) **LOC (9) Cl.** **07-06**

(52) **U.S. Cl.** **D7/624.1**

(58) **Field of Classification Search** D7/619.1-625,
D7/387; 248/346.01, 346.11, 311.2; 215/393-396;
62/457.1-457.9

See application file for complete search history.

(56) **References Cited**

U.S. PATENT DOCUMENTS

2,989,205	A *	6/1961	Yaws	248/346.11
4,978,566	A *	12/1990	Scheurer et al.	D7/624.1
5,273,182	A *	12/1993	Laybourne	220/740
D387,250	S *	12/1997	Tubbesing	D7/624.1

D408,227	S *	4/1999	Swann, Jr.	D7/624.1
D428,776	S *	8/2000	Shuman	D7/624.1
2008/0272261	A1 *	11/2008	Morlan	248/346.11
2009/0020676	A1 *	1/2009	Curry	248/346.11

* cited by examiner

Primary Examiner — Terry Wallace

(74) *Attorney, Agent, or Firm* — Molly D. McKay

(57) **CLAIM**

The ornamental design for a coaster, as shown and described.

DESCRIPTION

FIG. 1 is an exploded perspective view of the new coaster design;

FIG. 2 is a perspective view thereof;

FIG. 3 is a top plan view thereof;

FIG. 4 is side view thereof;

FIG. 5 is a bottom plan view thereof;

FIG. 6 is an exploded cross sectional view taken along line 6-6 of FIG. 3 thereof; and,

FIG. 7 is a cross sectional view taken along line 7-7 of FIG. 3 thereof.

1 Claim, 3 Drawing Sheets

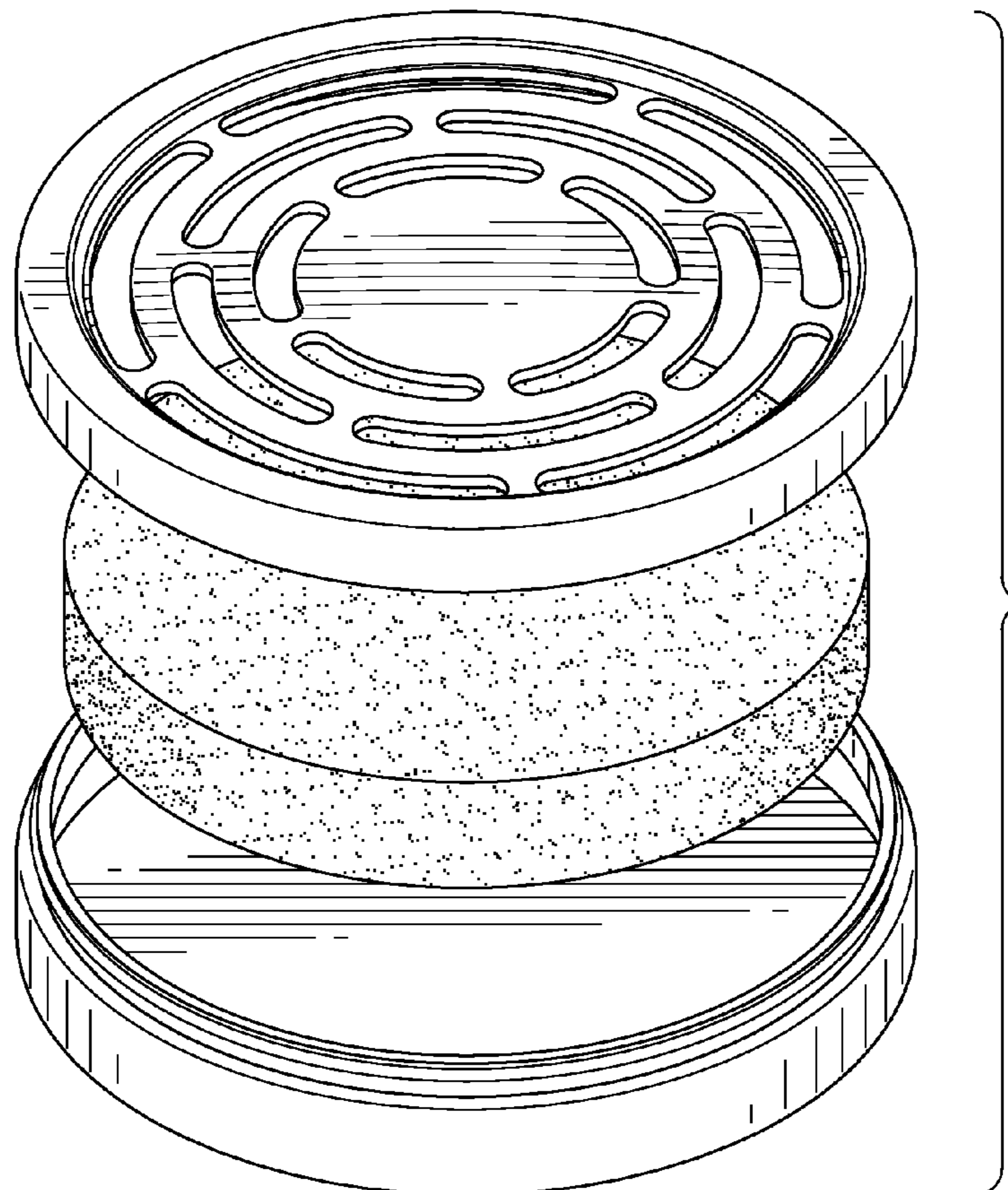


FIG. 1

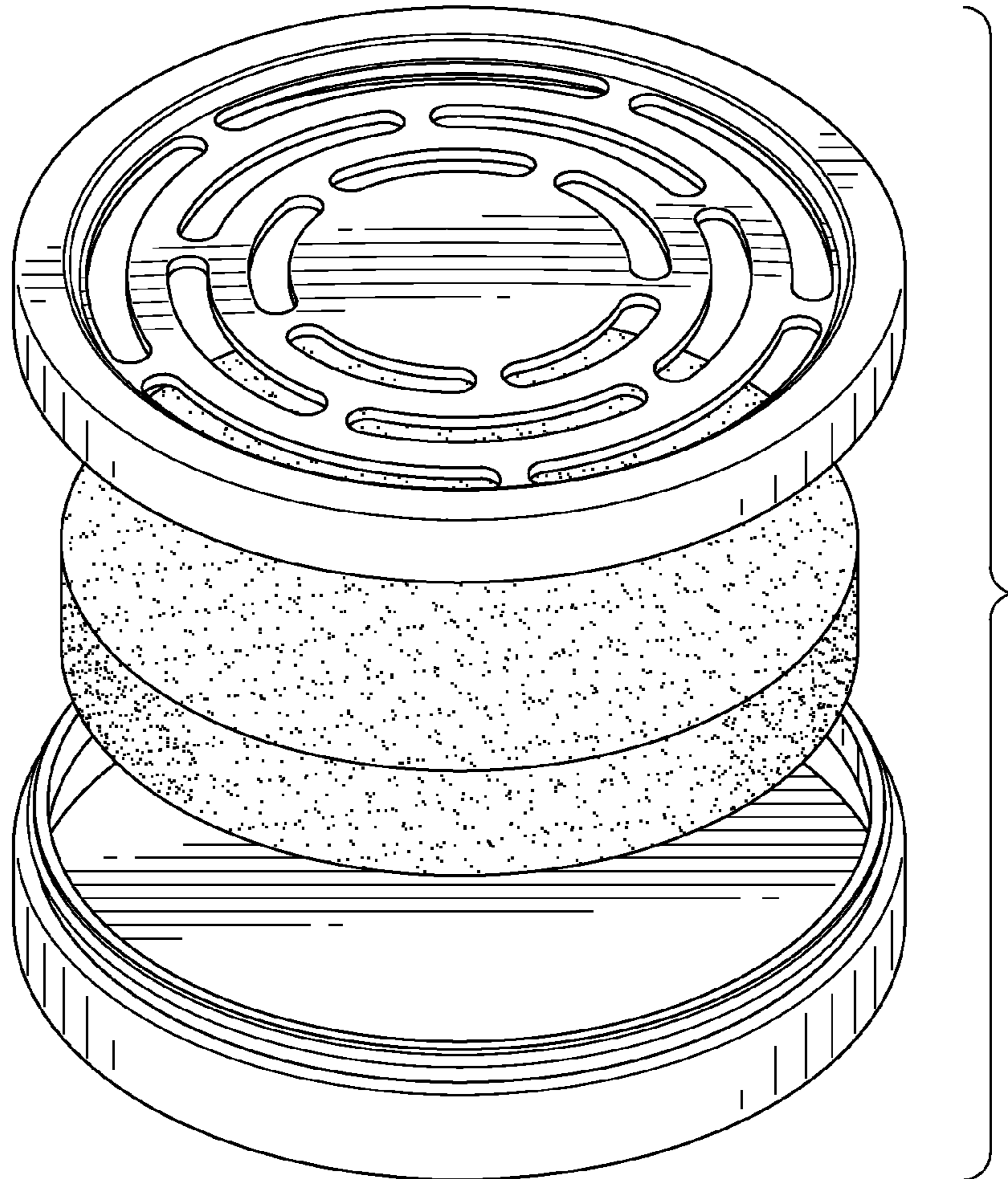
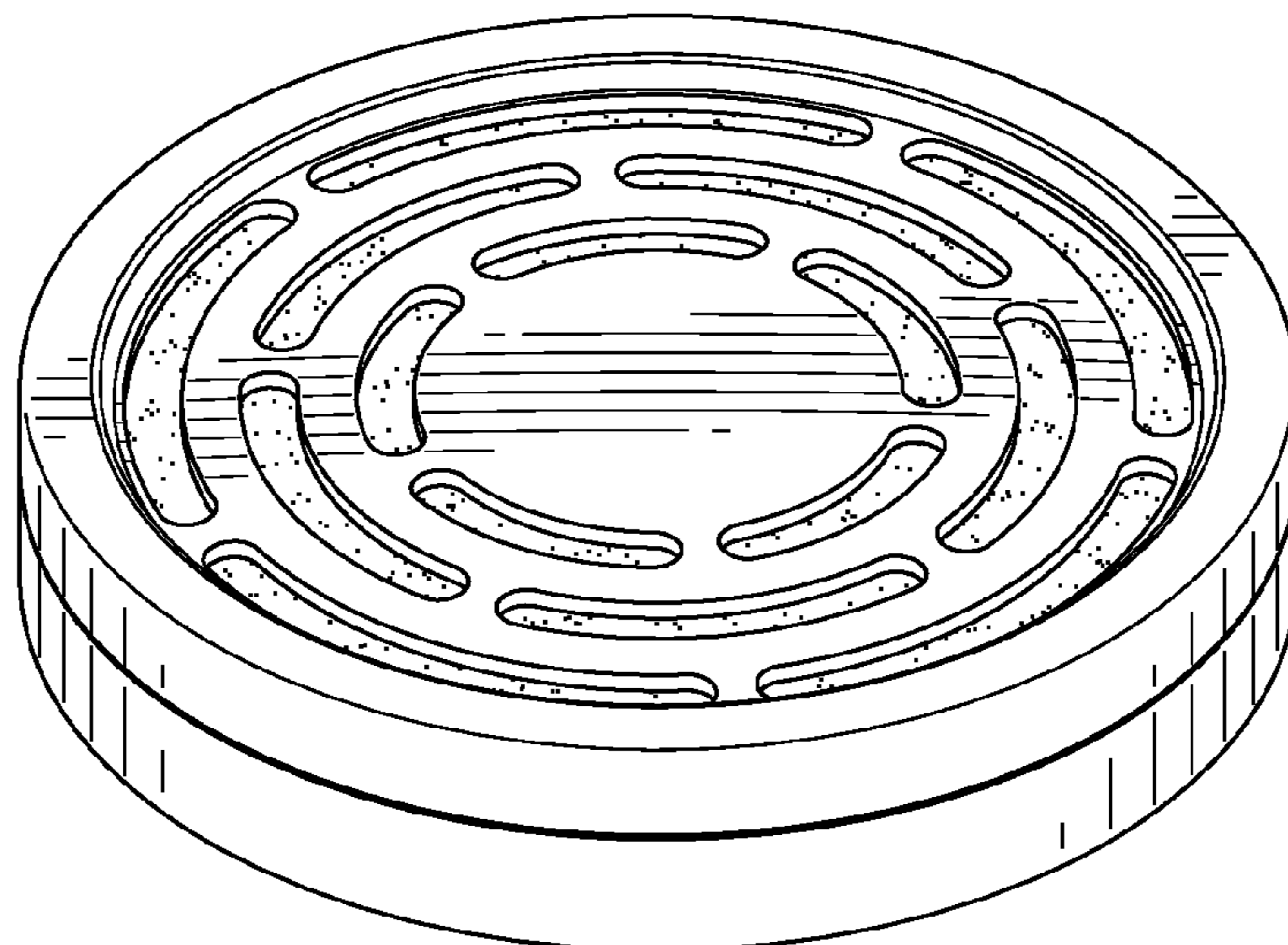


FIG. 2



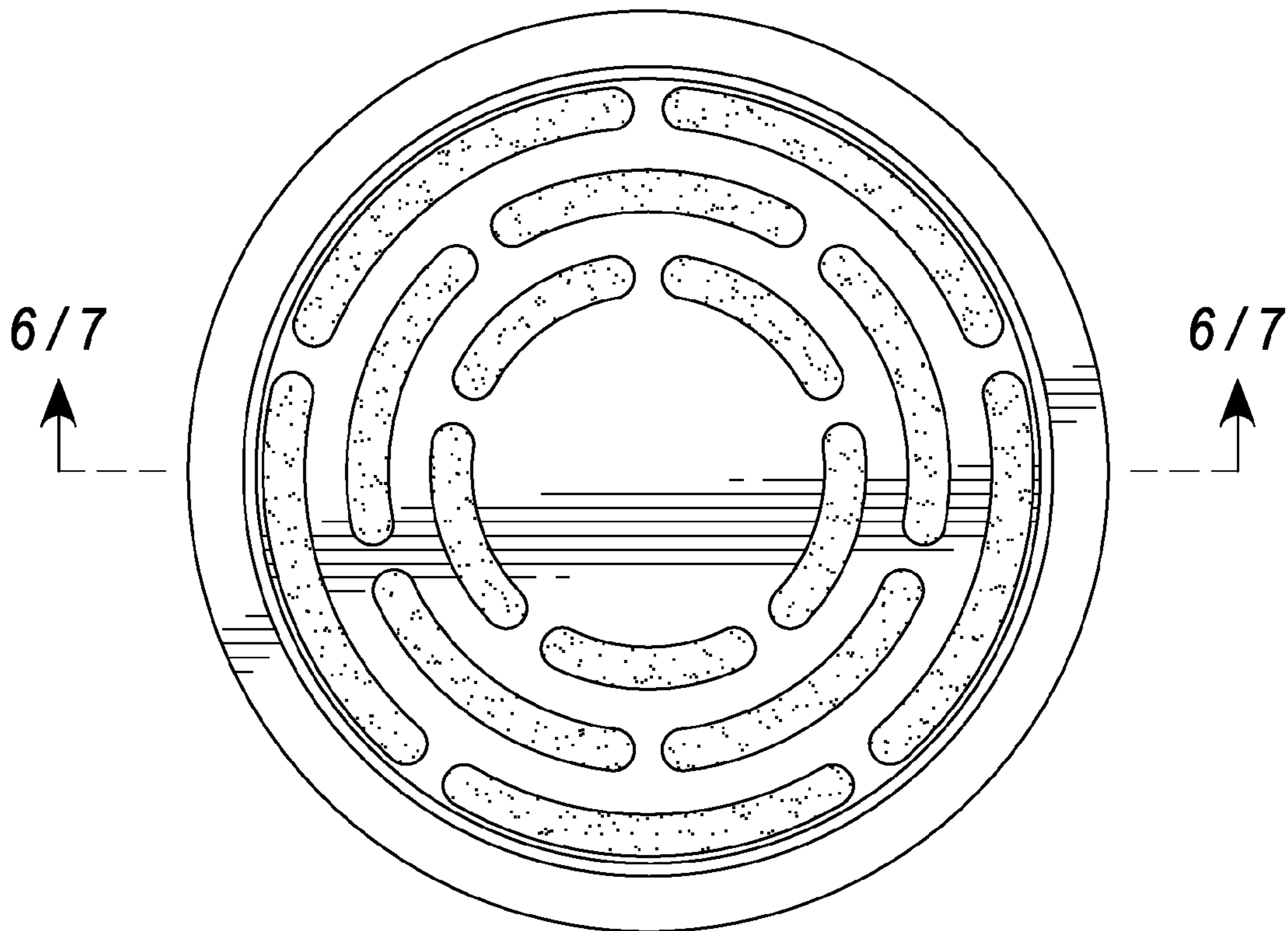


FIG. 3

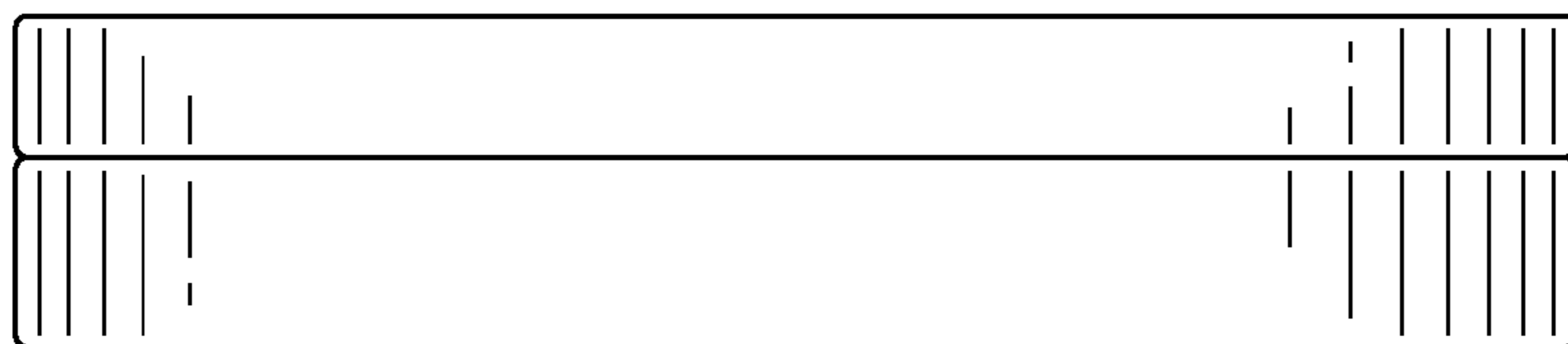


FIG. 4

FIG. 5

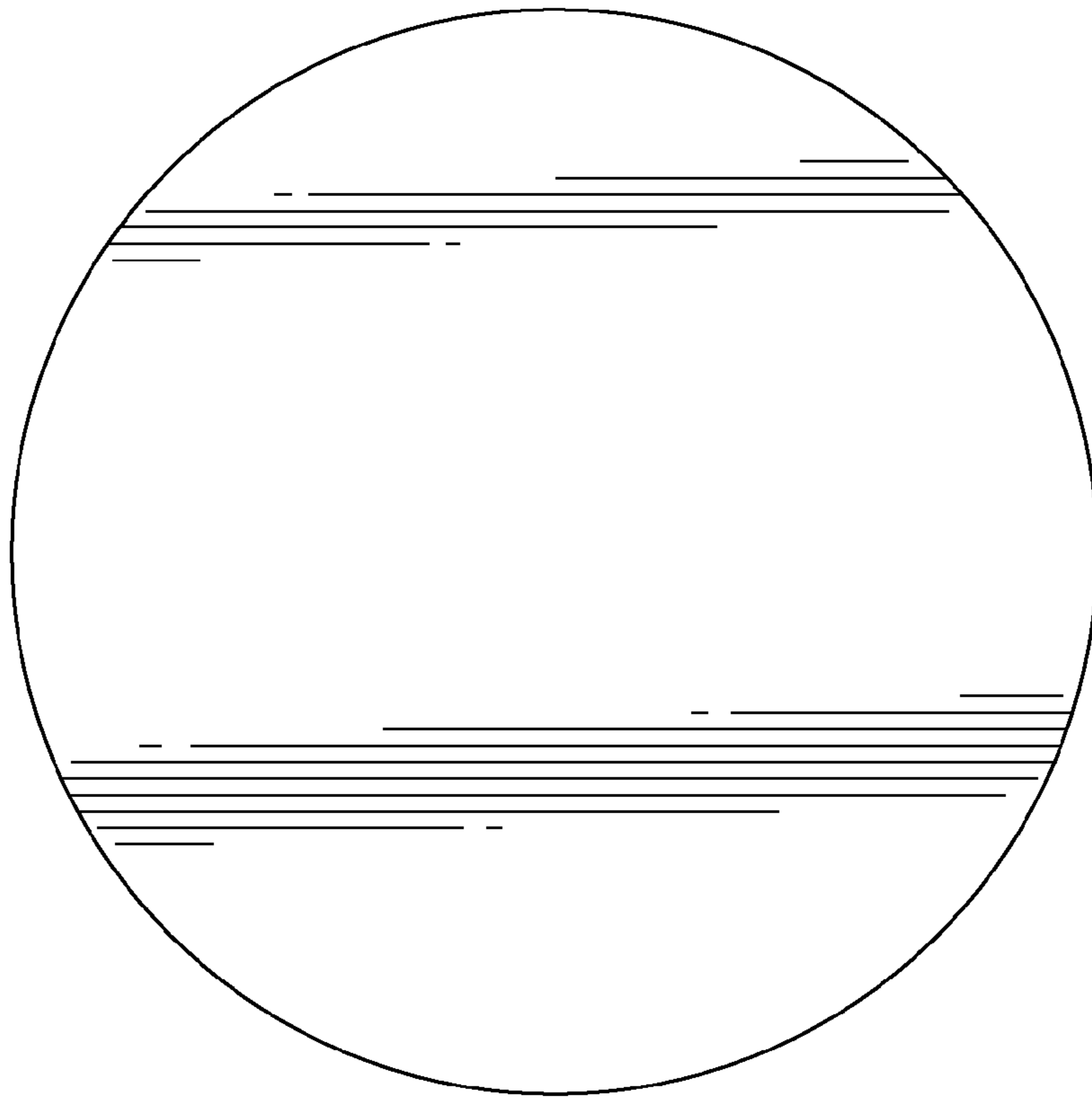


FIG. 6

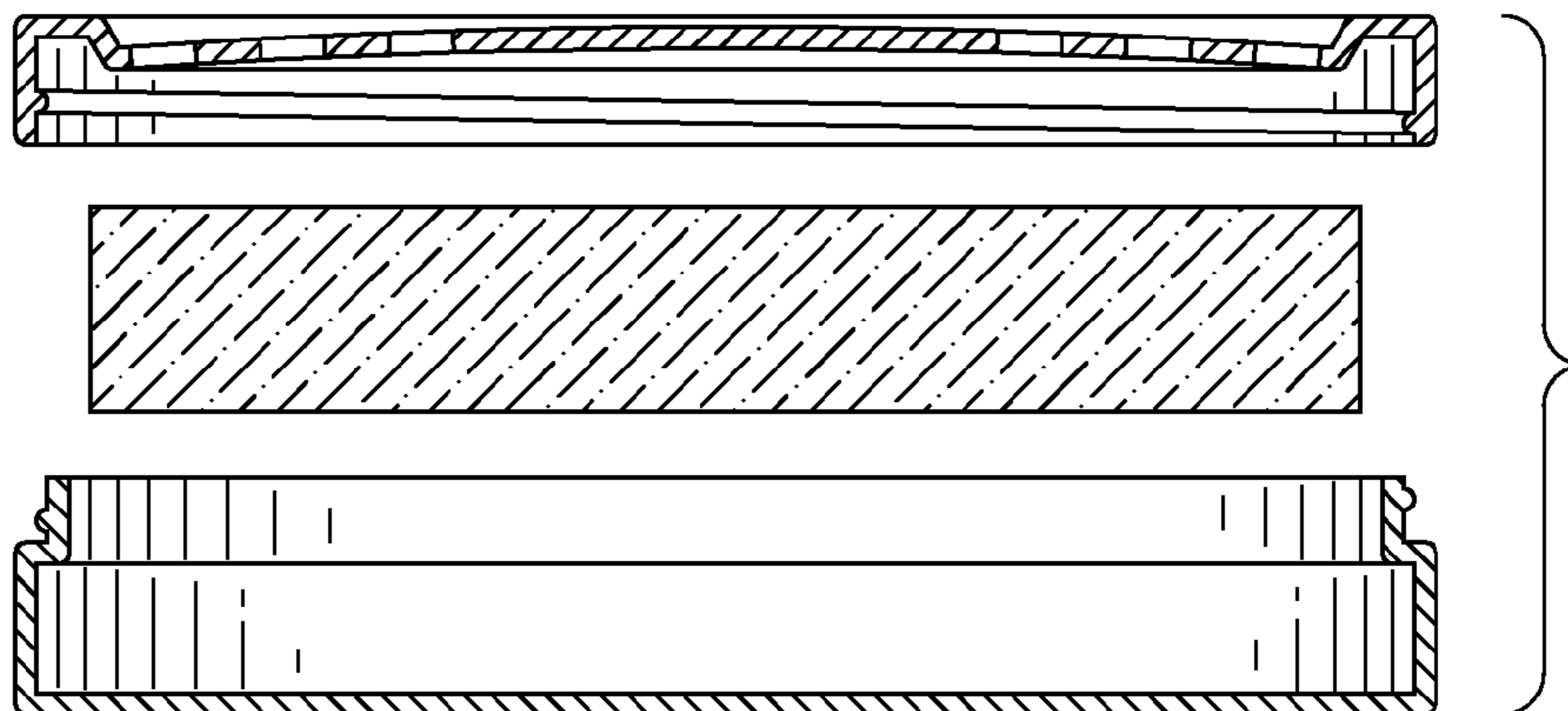


FIG. 7

