



US00D677992S

(12) **United States Design Patent**
Greenwood

(10) **Patent No.:** **US D677,992 S**
(45) **Date of Patent:** **** Mar. 19, 2013**

(54) **PORTABLE STORAGE CONTAINER**

(75) Inventor: **Mark Greenwood**, Arlington Heights, IL (US)

(73) Assignee: **Youcopia Products, Inc.**, Arlington Heights, IL (US)

(**) Term: **14 Years**

(21) Appl. No.: **29/411,287**

(22) Filed: **Jan. 19, 2012**

(51) **LOC (9) Cl.** **07-06**

(52) **U.S. Cl.** **D7/600.1**

(58) **Field of Classification Search** D7/600.1-600.4, D7/590; D3/306; D6/510, 512, 574, 573, D6/458, 462, 465, 432, 436, 449, 509; 211/126.15, 211/126.11; D19/75, 77, 78, 83, 86, 92; 312/334.1, 330.1, 323, 334.27, 408, 410, 312/334.44

See application file for complete search history.

(56) **References Cited**

U.S. PATENT DOCUMENTS

1,303,090	A	5/1919	McCray	
2,138,560	A *	11/1938	Stuart	312/311
2,606,091	A	8/1952	Marion et al.	
2,839,349	A	6/1958	Culver	
3,013,853	A *	12/1961	Toms	312/303
3,339,994	A	9/1967	Reddig et al.	
4,314,734	A	2/1982	Grunert	
4,343,244	A	8/1982	Moriarty et al.	
4,441,771	A	4/1984	Roesler	
4,502,741	A *	3/1985	DeVries et al.	312/108
4,620,489	A	11/1986	Albano	
5,244,272	A	9/1993	Thompson	
5,348,207	A	9/1994	Frank	

5,385,399	A	1/1995	Weidner	
6,039,422	A	3/2000	Butters et al.	
D422,846	S *	4/2000	Swick	D7/601
6,122,173	A	9/2000	Felcman et al.	
6,332,546	B1	12/2001	Hunt	
6,585,334	B2 *	7/2003	Cheng et al.	312/332.1
6,626,509	B2	9/2003	Remmers	
7,063,219	B2	6/2006	Fann et al.	
8,061,538	B2 *	11/2011	Seldon	211/74
2006/0201417	A1 *	9/2006	Radow	118/306
2008/0283481	A1 *	11/2008	Evans et al.	211/74

OTHER PUBLICATIONS

U.S. Appl. No. 11/799,869, Greenwood, Mark et al.

* cited by examiner

Primary Examiner — Terry Wallace

(74) *Attorney, Agent, or Firm* — Knechtel, Demeur & Samlan

(57) **CLAIM**

I claim the ornamental design for a portable storage container, as shown and described.

DESCRIPTION

FIG. 1 is a perspective view of a portable storage container, with one of the drawers illustrated in the extended position, showing the new design thereof.

FIG. 2 is a front side elevational view thereof.

FIG. 3 is a back side elevational view thereof.

FIG. 4 is a left side elevational view thereof.

FIG. 5 is a right side elevational view thereof.

FIG. 6 is a top elevational view thereof.

FIG. 7 is a bottom elevational view thereof; and,

FIG. 8 is a perspective view of the portable storage container, with one of the drawers as illustrated in the resting position.

1 Claim, 6 Drawing Sheets

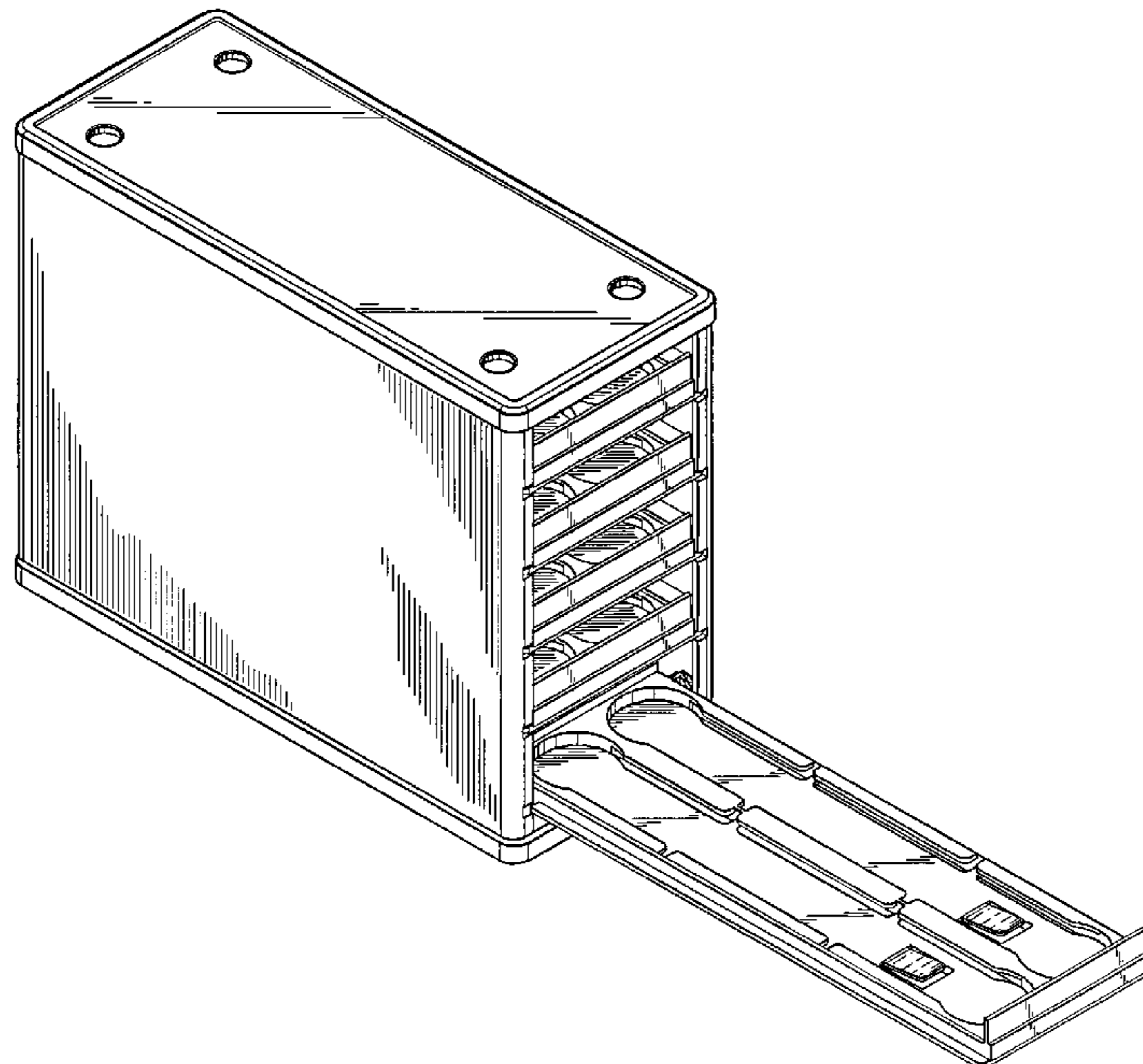


Fig. 1

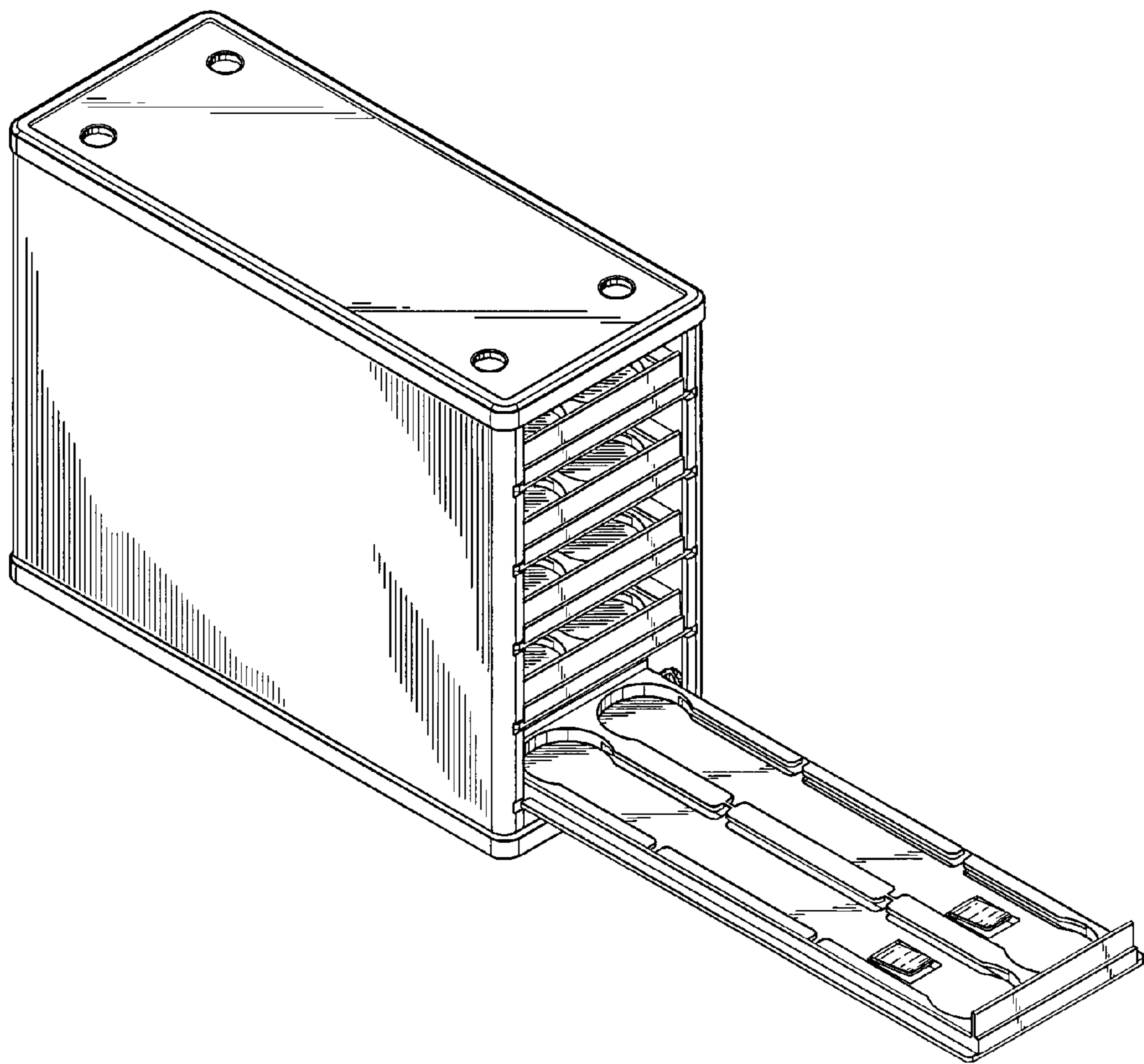


Fig. 3

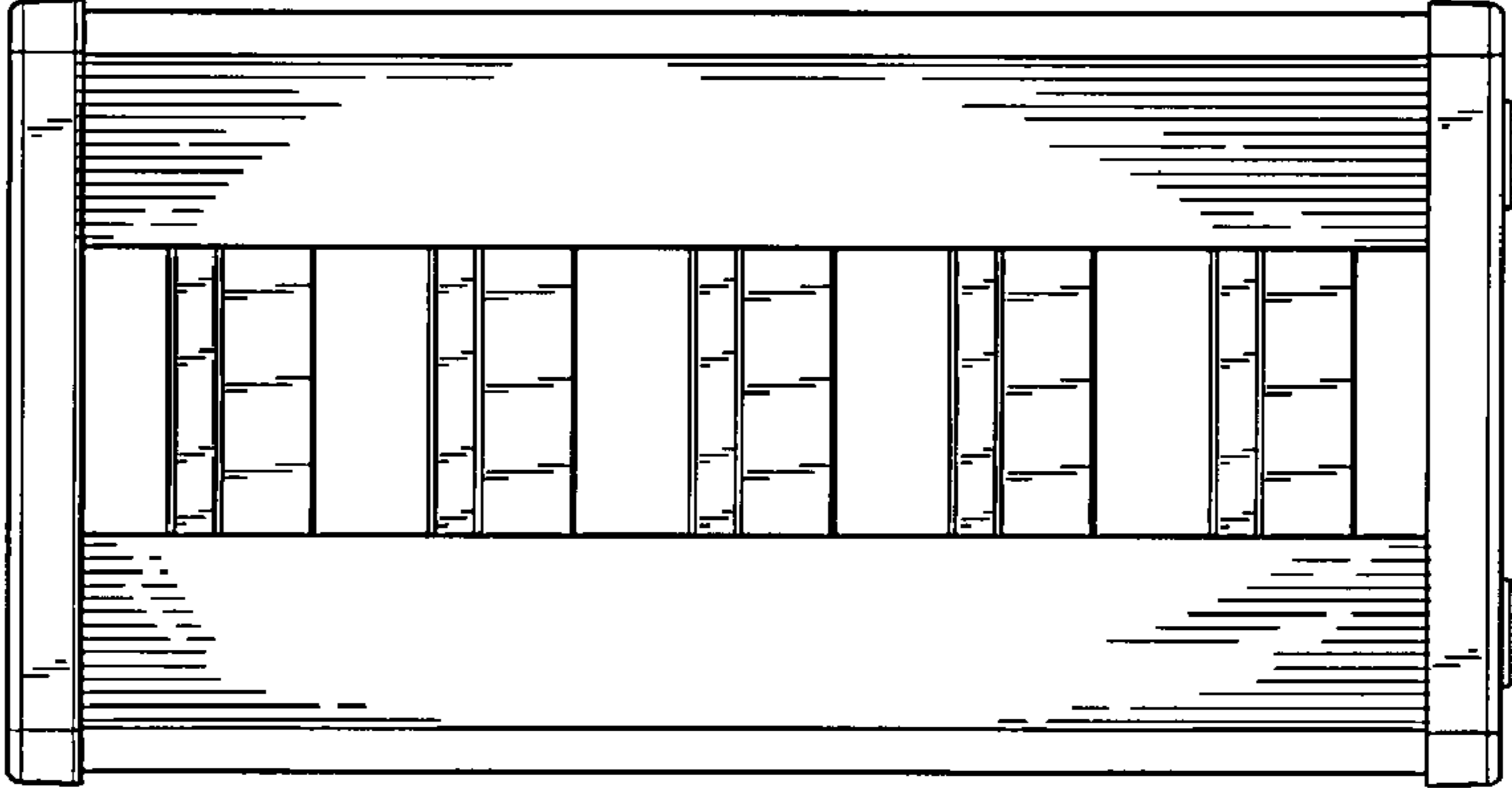
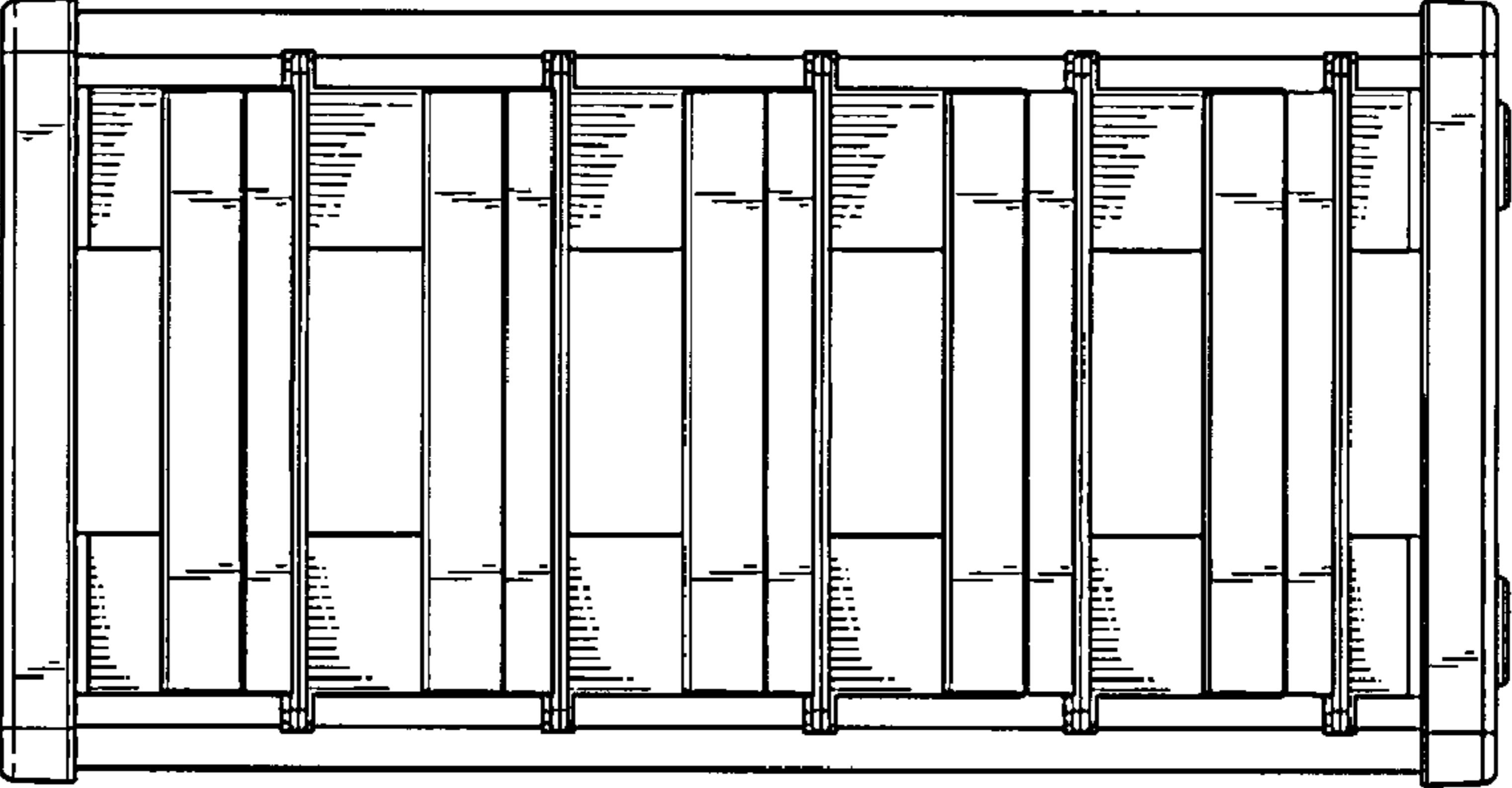


Fig. 2



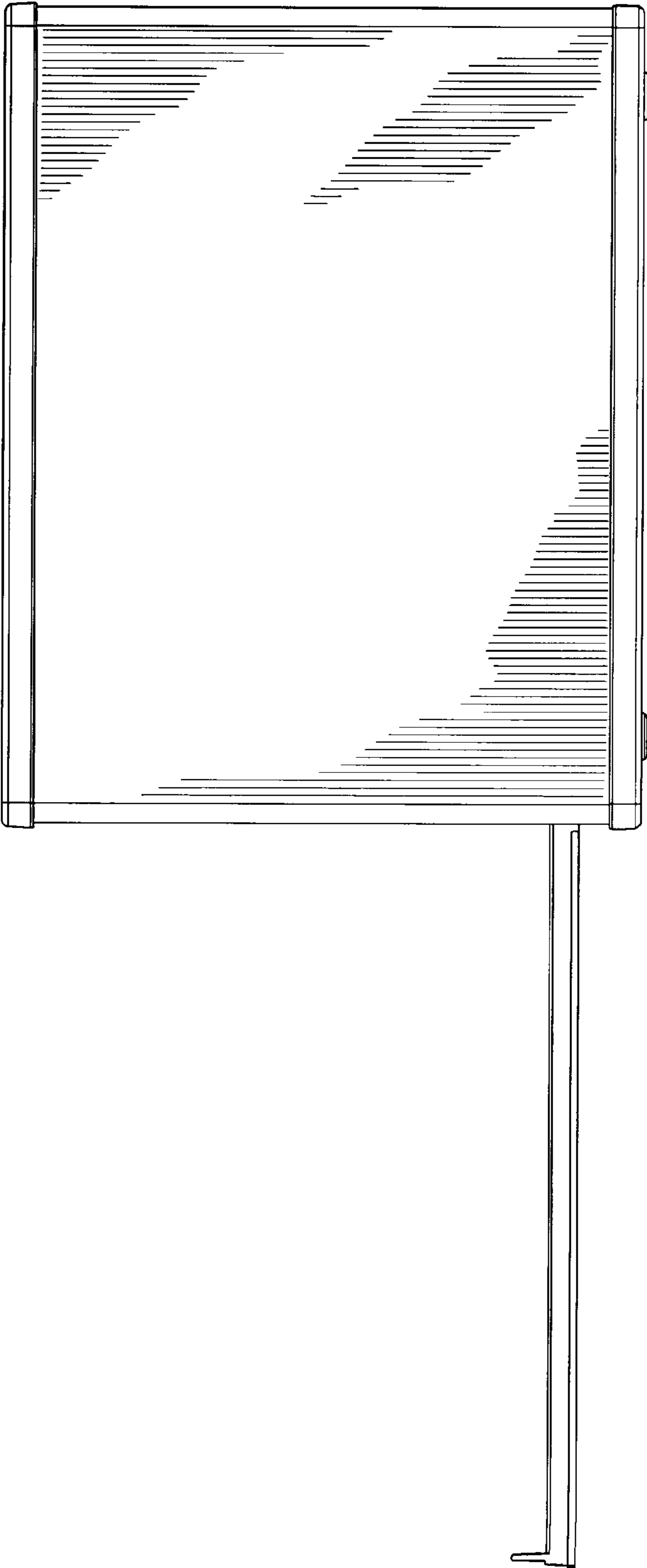


Fig. 4

Fig. 5

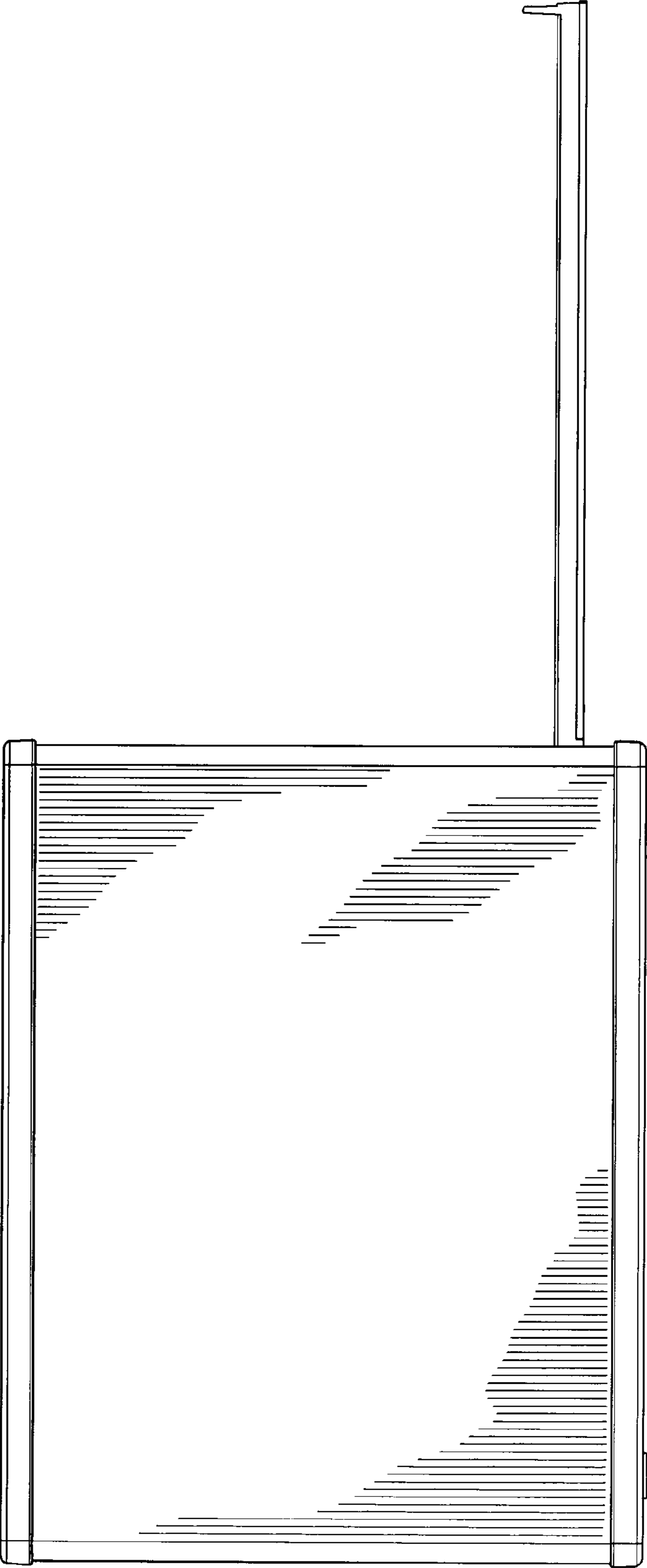


Fig. 6

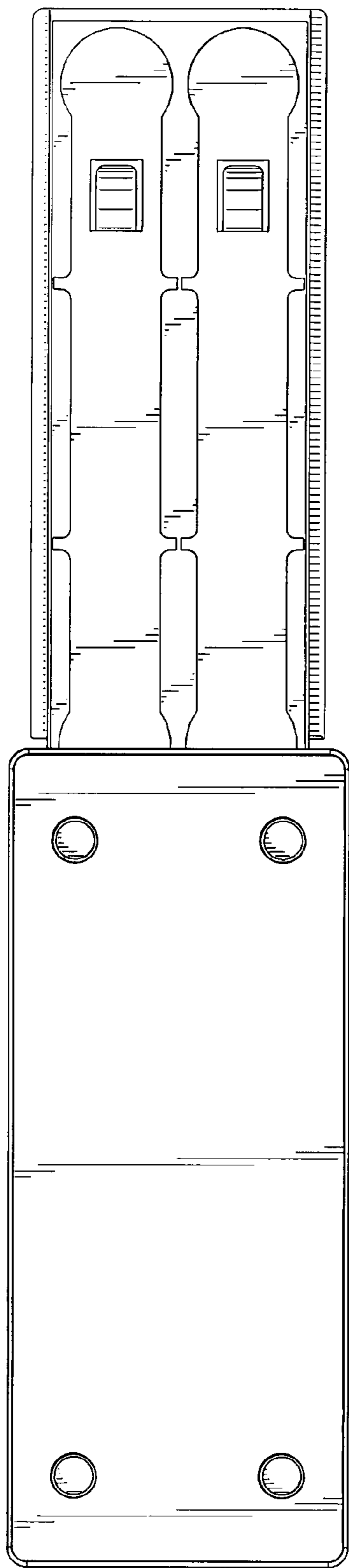


Fig. 7

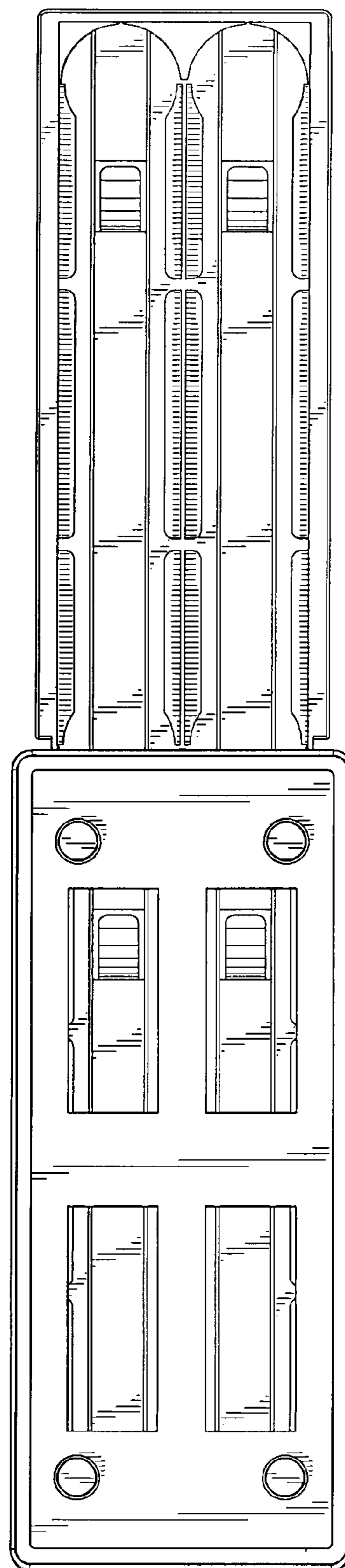


Fig. 8

