



US00D677990S

(12) **United States Design Patent**
Gatto

(10) **Patent No.:** **US D677,990 S**
(45) **Date of Patent:** **** Mar. 19, 2013**

(54) **MUG BODY**

(75) Inventor: **Daniel Gatto**, Brooklyn, NY (US)

(73) Assignee: **AFJ Industries LLC**, Rahway, NJ (US)

(**) Term: **14 Years**

(21) Appl. No.: **29/402,615**

(22) Filed: **Sep. 25, 2011**

(51) **LOC (9) Cl.** **07-01**

(52) **U.S. Cl.** **D7/533; D7/510**

(58) **Field of Classification Search** D7/510,
D7/532, 396.2, 533, 529, 900, 392.1, 393,
D7/394; 215/388; 220/752

See application file for complete search history.

(56) **References Cited**

U.S. PATENT DOCUMENTS

D456,214 S *	4/2002	Wyche	D7/523
D502,365 S *	3/2005	Dretzka	D7/523
D531,854 S *	11/2006	Bresler	D7/396.6
D562,634 S *	2/2008	Frank	D7/536

D562,635 S *	2/2008	Weber	D7/536
D578,348 S *	10/2008	Liu	D7/396.6
D593,802 S *	6/2009	Baek	D7/532

* cited by examiner

Primary Examiner — Cynthia Underwood

(74) *Attorney, Agent, or Firm* — Mark M. Friedman

(57) **CLAIM**

The ornamental design for a mug body, as shown and described.

DESCRIPTION

FIG. 1 is a perspective view of a mug body showing my new design;

FIG. 2 is a right view thereof;

FIG. 3 is a left view thereof;

FIG. 4 is a front view thereof;

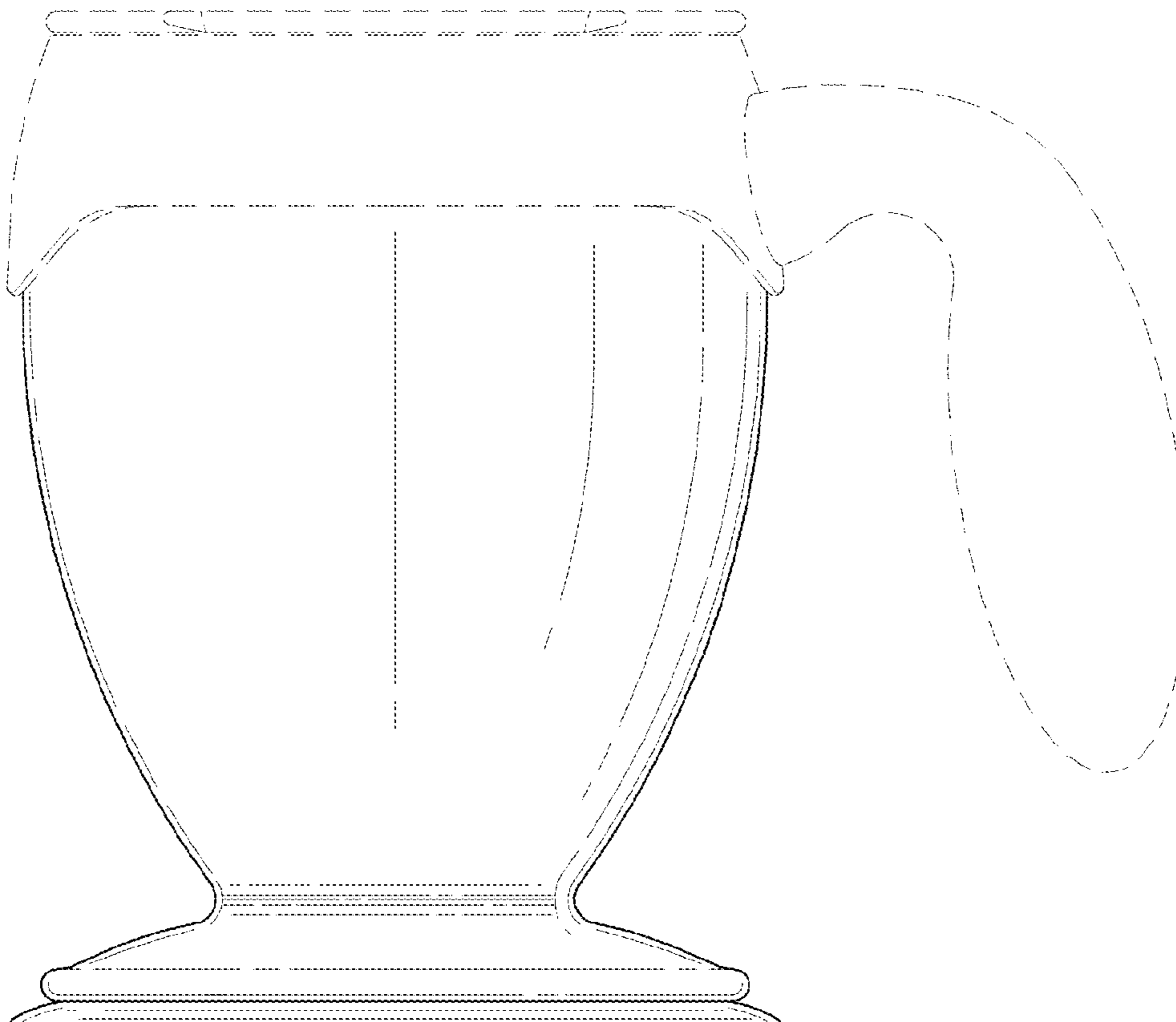
FIG. 5 is a rear view thereof;

FIG. 6 is a top view thereof; and,

FIG. 7 is a bottom view thereof.

The broken lines represent portions of the structure that form no part of the claim.

1 Claim, 7 Drawing Sheets



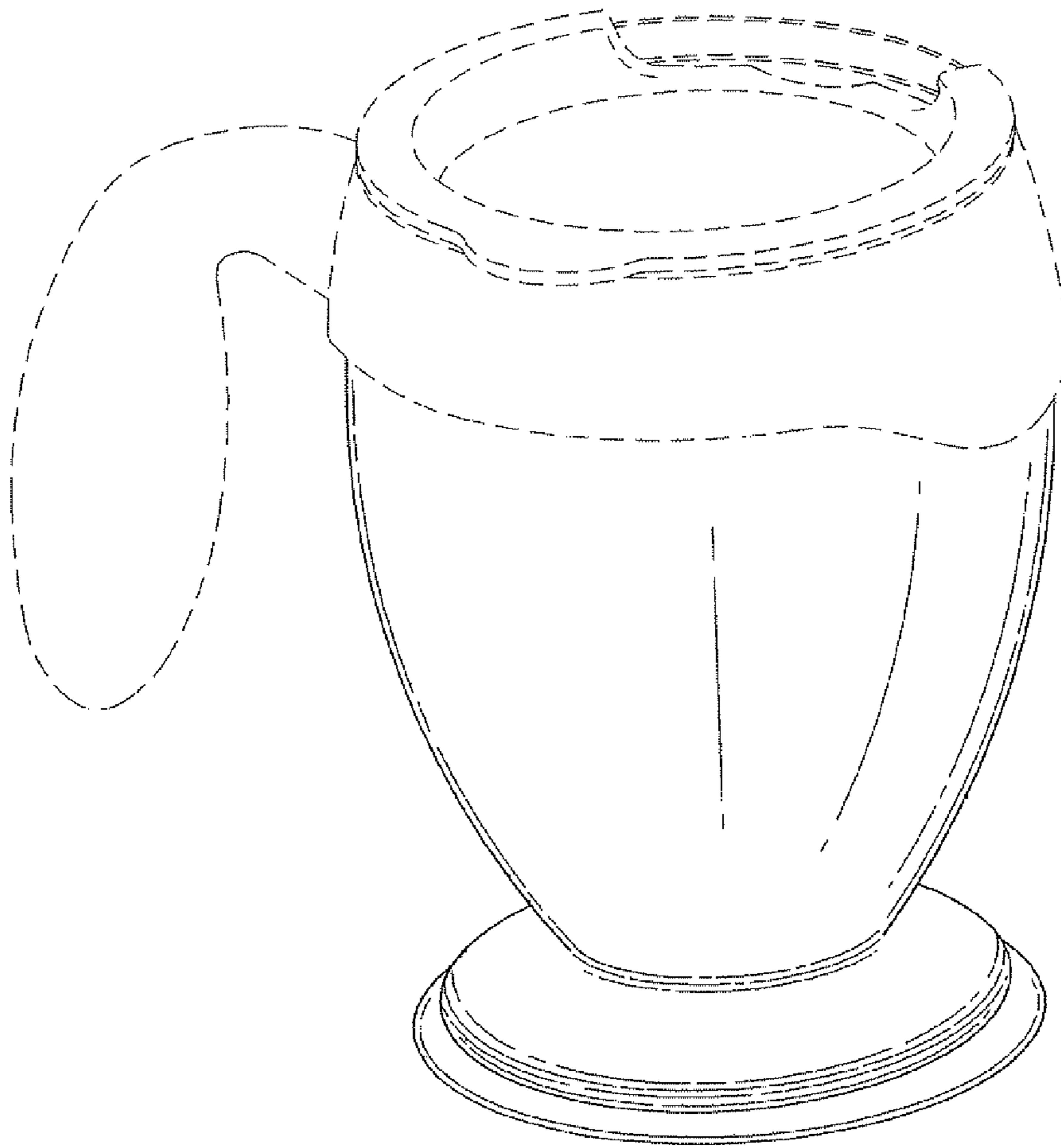


FIG. 1

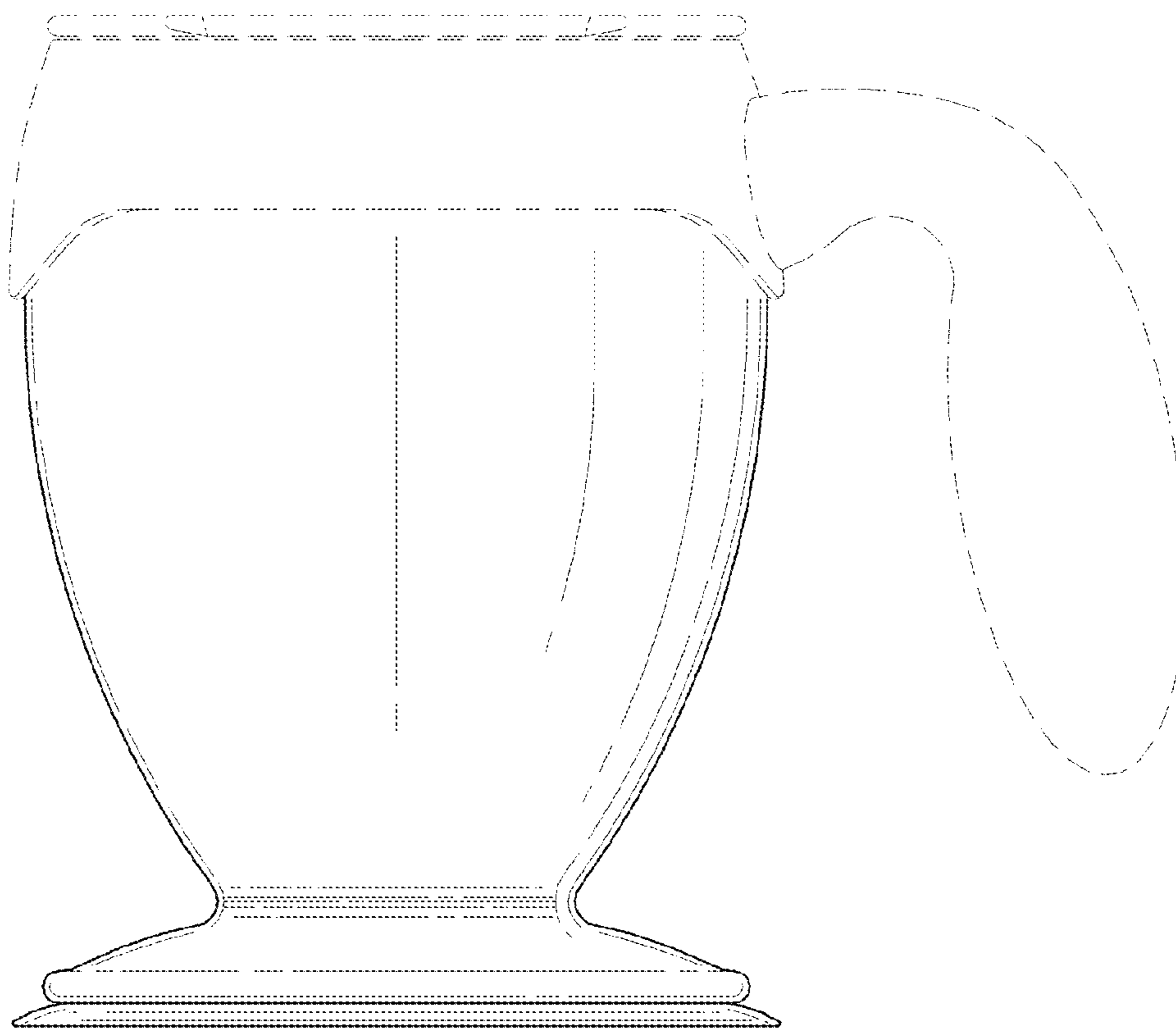


FIG. 2

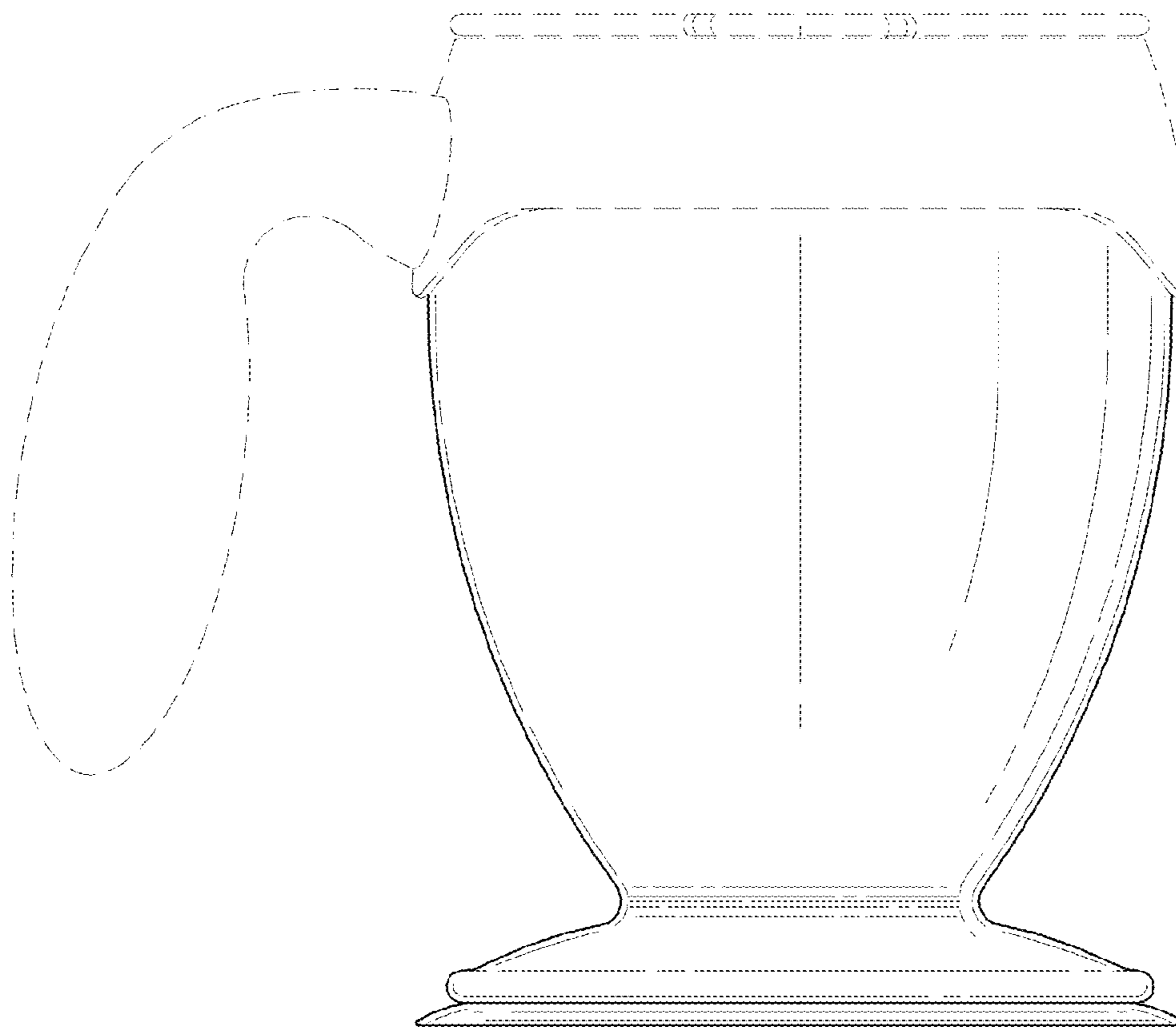


FIG. 3

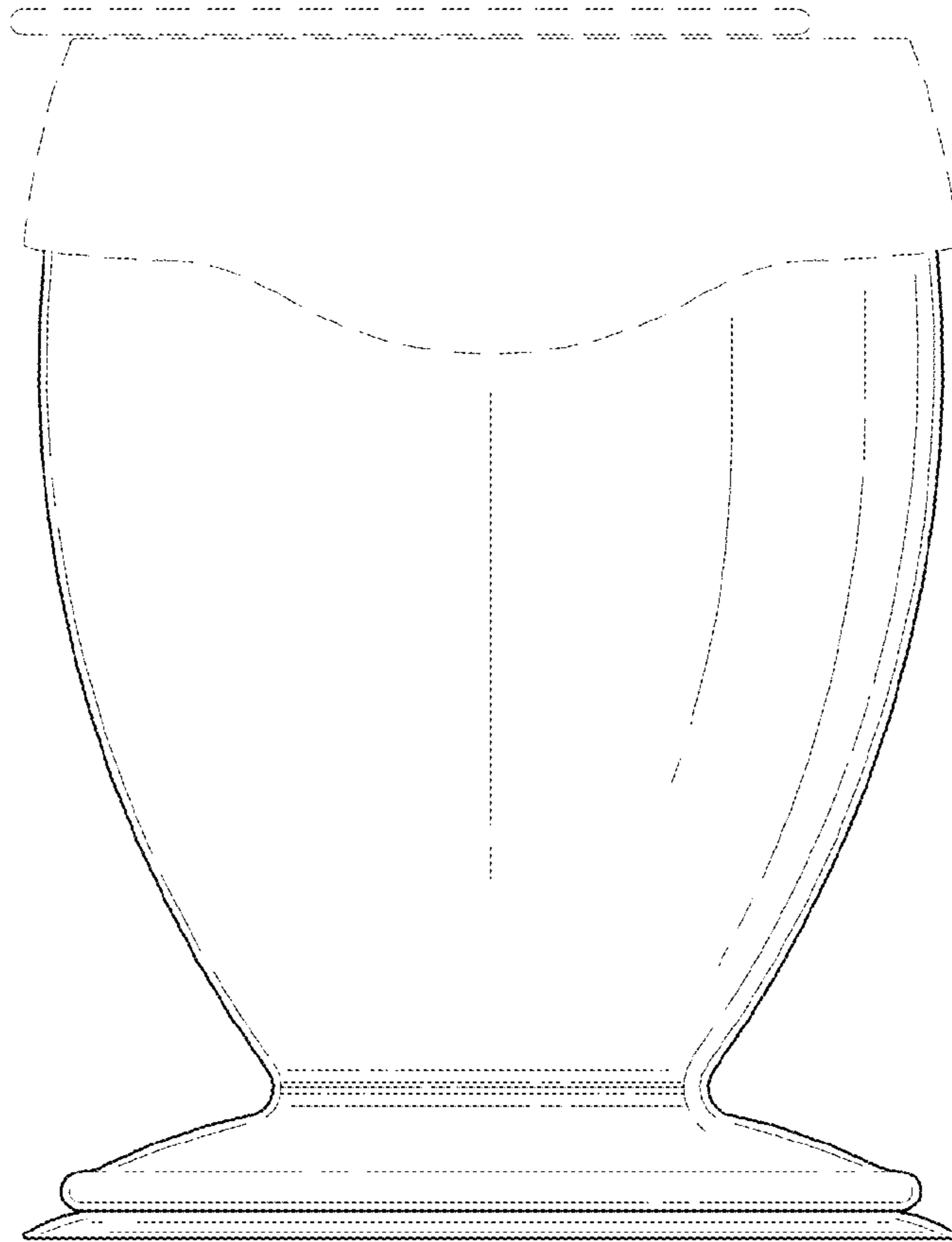


FIG. 4

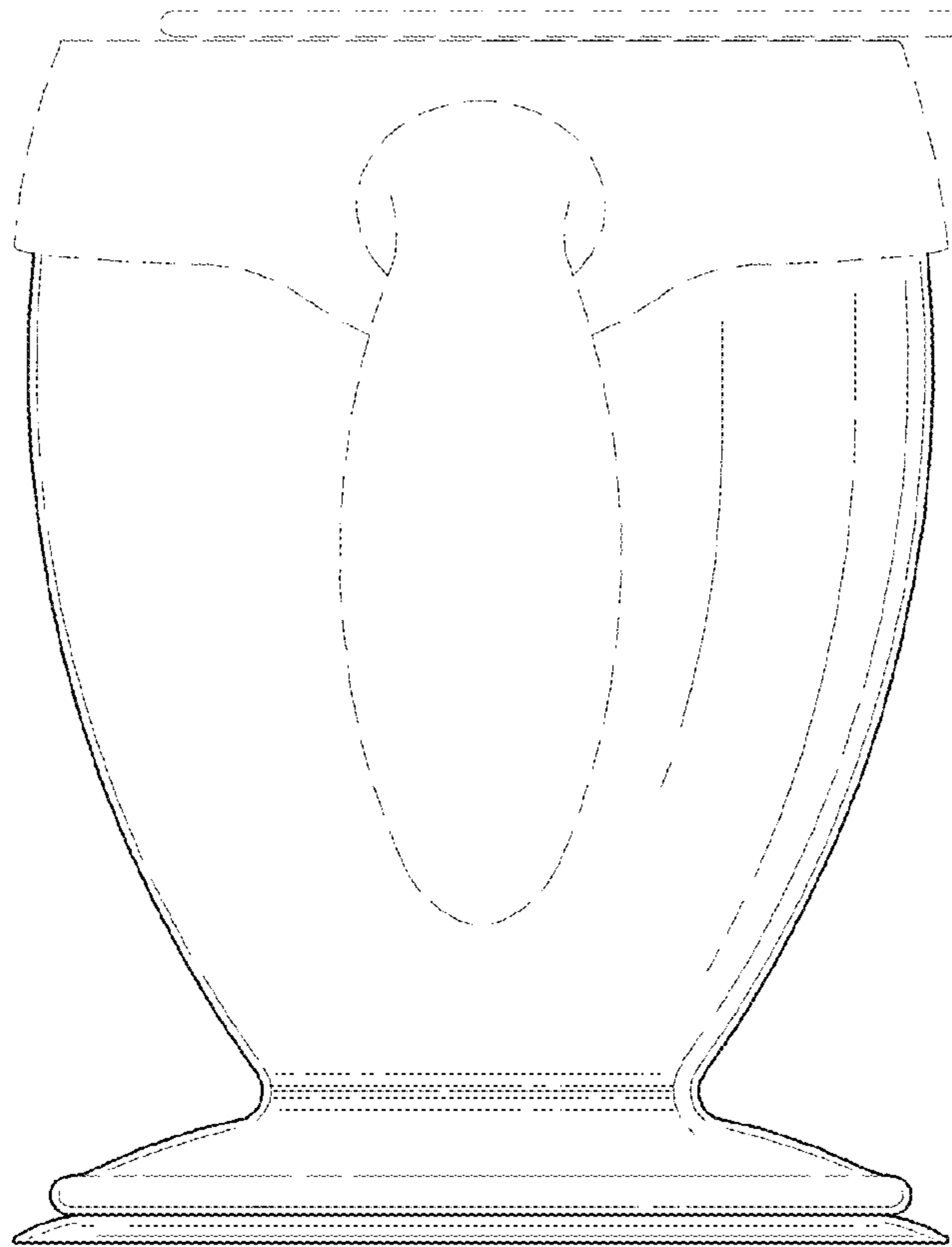


FIG. 5

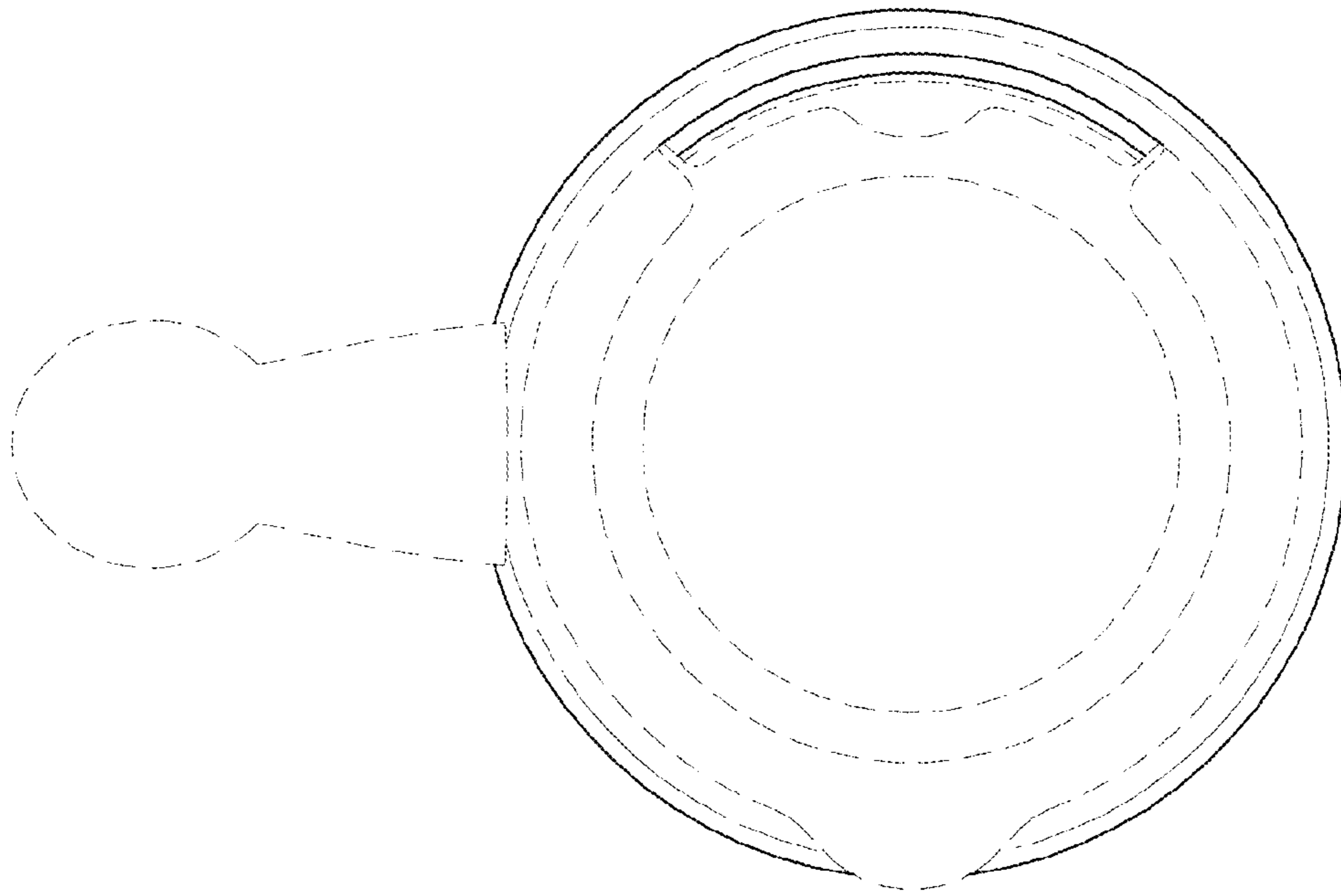


FIG. 6

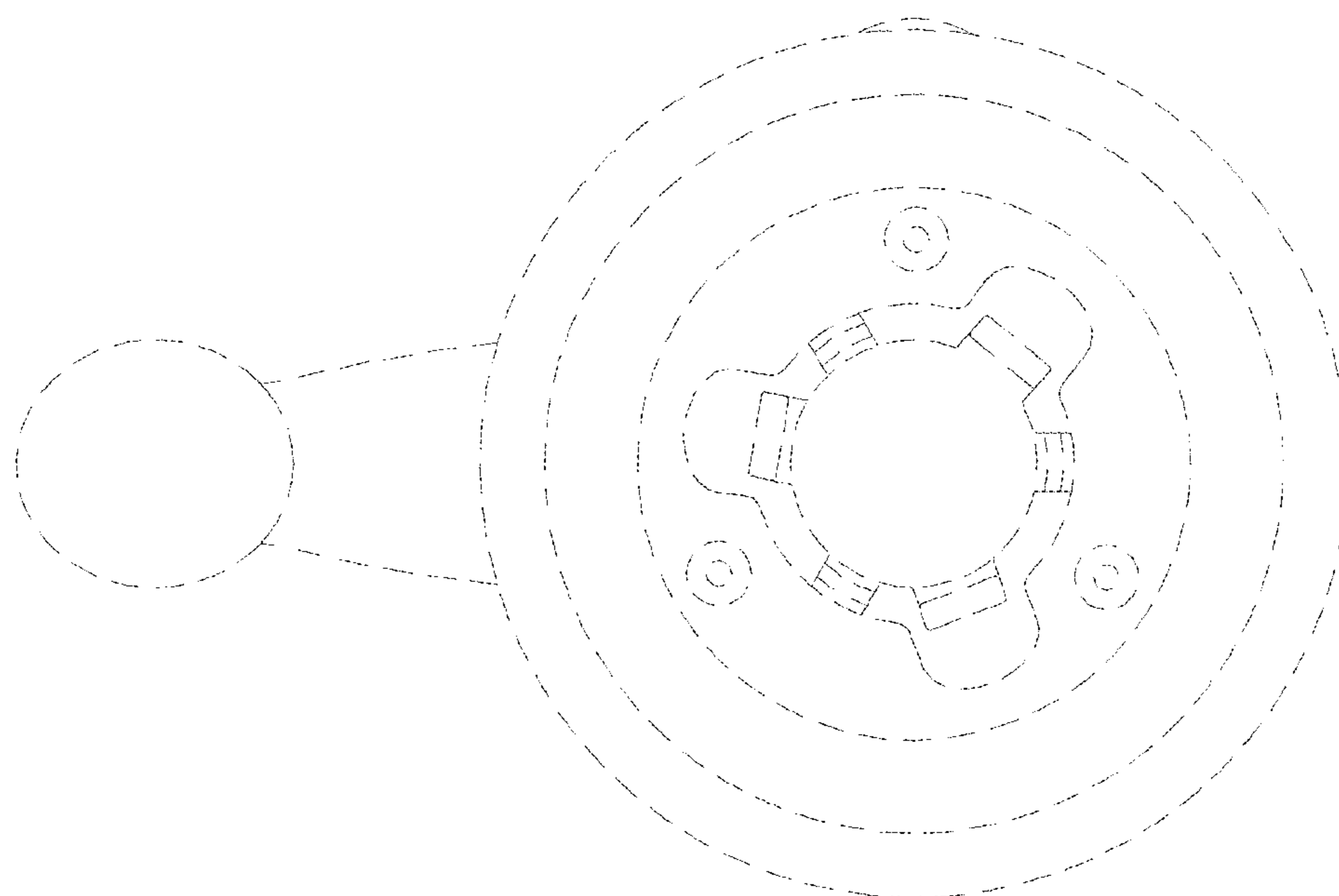


FIG. 7